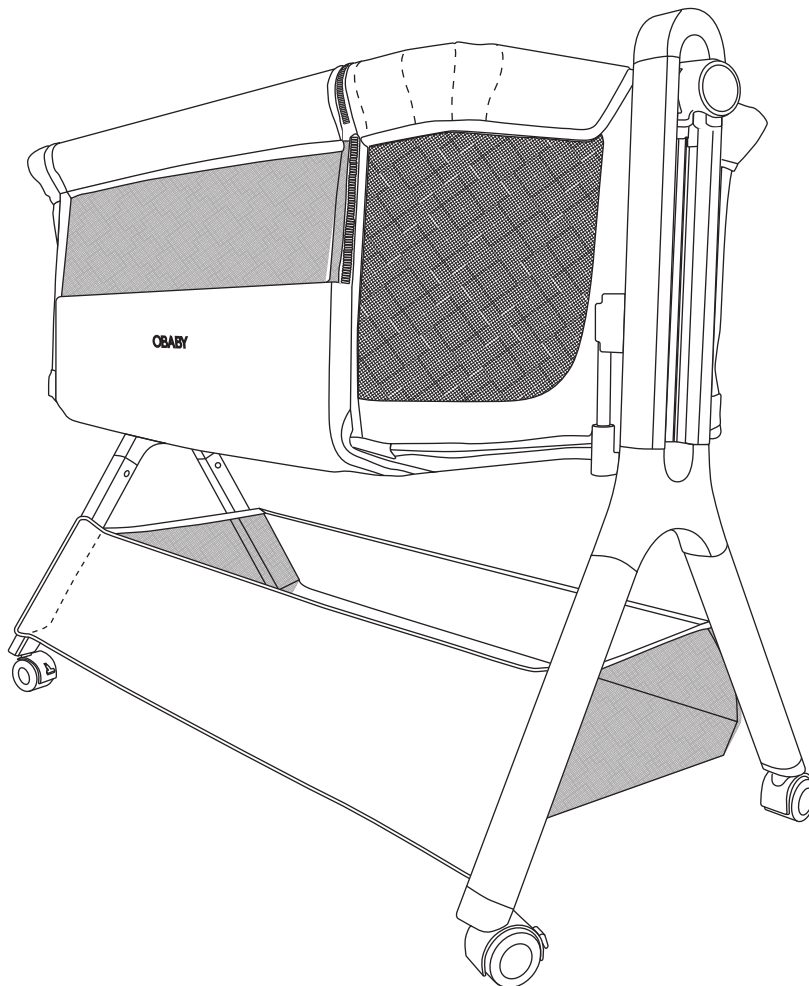


# Cloud Bed Side Crib

Instructions



**IMPORTANT**  
KEEP FOR FUTURE REFERENCE



*Thank you for choosing  
to be part of the  
Obaby family*

To contact our Customer Experience Team, please visit [www.obaby.co.uk](http://www.obaby.co.uk)



This product has been tested & complies with EN1130:2019

- ⚠ **WARNING:** Always read and follow assembly instructions for correct conversion (when applicable) from one use mode to another.
- ⚠ **WARNING:** Failure to follow warnings and instructions could result in serious injury or death.
- ⚠ **WARNING:** The Obaby Bedside Crib is designed to provide a sleeping area for an infant until they begin to push up on hands and knees or approximately 6 months of age. Move your child to another sleeping product when your child reaches this stage.
- ⚠ **WARNING:** The Obaby Bedside Crib cannot be used with the following bed frames: folding beds, sofa beds, guest beds, high sleeper beds, low floor beds with ledge frames, futon beds, antique beds and water beds.
- ⚠ **WARNING:** DO NOT use bedside sleeper or crib if any parts are missing, damaged, or broken. Contact Obaby for replacement parts and instructional literature if needed. DO NOT substitute any parts.
- ⚠ **WARNING:** Be aware of the risk of open fires and other sources of strong heat, such as electric bar fires, gas fires, etc. in the near vicinity of the bedside Crib.
- ⚠ **WARNING:** Do not use when the child can sit or kneel or pull themselves up.
- ⚠ **WARNING:** Always use ALL required parts for each use mode.
- ⚠ **WARNING:** The crib should only be used with an inner lining attached.
- ⚠ **WARNING:** The maximum mattress thickness should be no higher than the line marked on the crib.
- ⚠ **WARNING:** The Obaby bedside crib is designed for use only with adult beds that are between 56cm and 66cm from floor to top of adult mattress.
- ⚠ **WARNING:** Be aware of the risk of open fires and other sources of strong heat, such as electric bar fires, gas fires, etc. in the near vicinity of the Obaby Bedside Crib.
- ⚠ **WARNING:** The Obaby Bedside Crib should be placed on a horizontal floor; Young children should not be allowed to play unsupervised in the vicinity of the Obaby Bedside Crib.
- ⚠ **WARNING:** Strings can cause strangulation! Do not place items with a string around a child's neck, such as hood strings or pacifier cords. Do not suspend strings over a crib or attach strings to toys.
- ⚠ **WARNING:** Entrapment Hazard - To prevent death from entrapment, the bedside sleeper must be properly secured to the adult bed using the attachment straps.
- ⚠ **WARNING:** To avoid death from the infant's neck being caught on the top rail, the top rail must be no higher than the adult bed mattress.
- ⚠ **WARNING:** The 2 attachment straps must always be used in bedside sleeper mode  
The product is intended for use for children aged 0-6 months up to a maximum weight of 9Kg.

While in Bedside Mode;



Do not use with a wide bed frame.



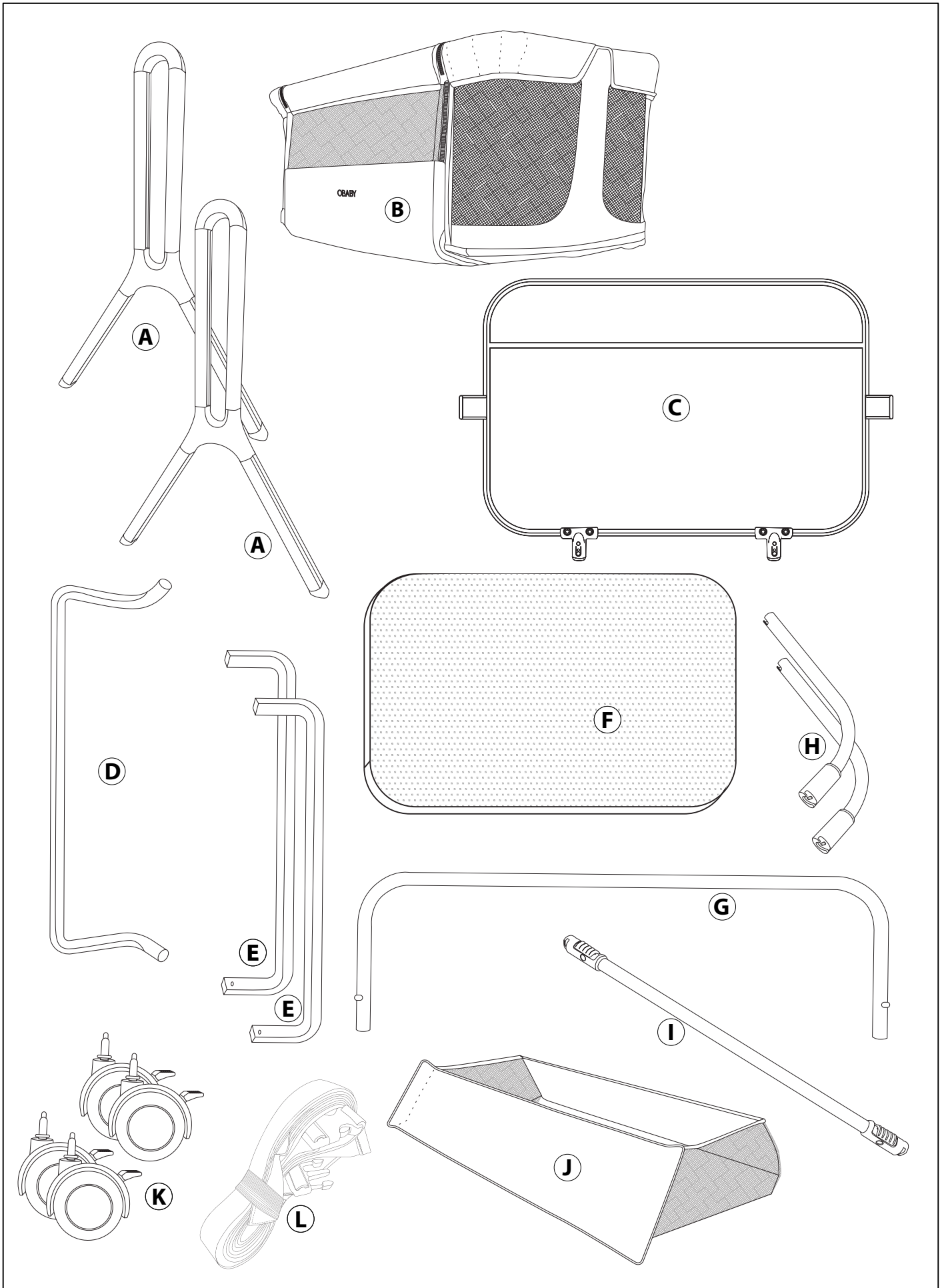
Do not leave a gap between crib & your bed.



Use both straps to attach the crib as close to your bed as possible.

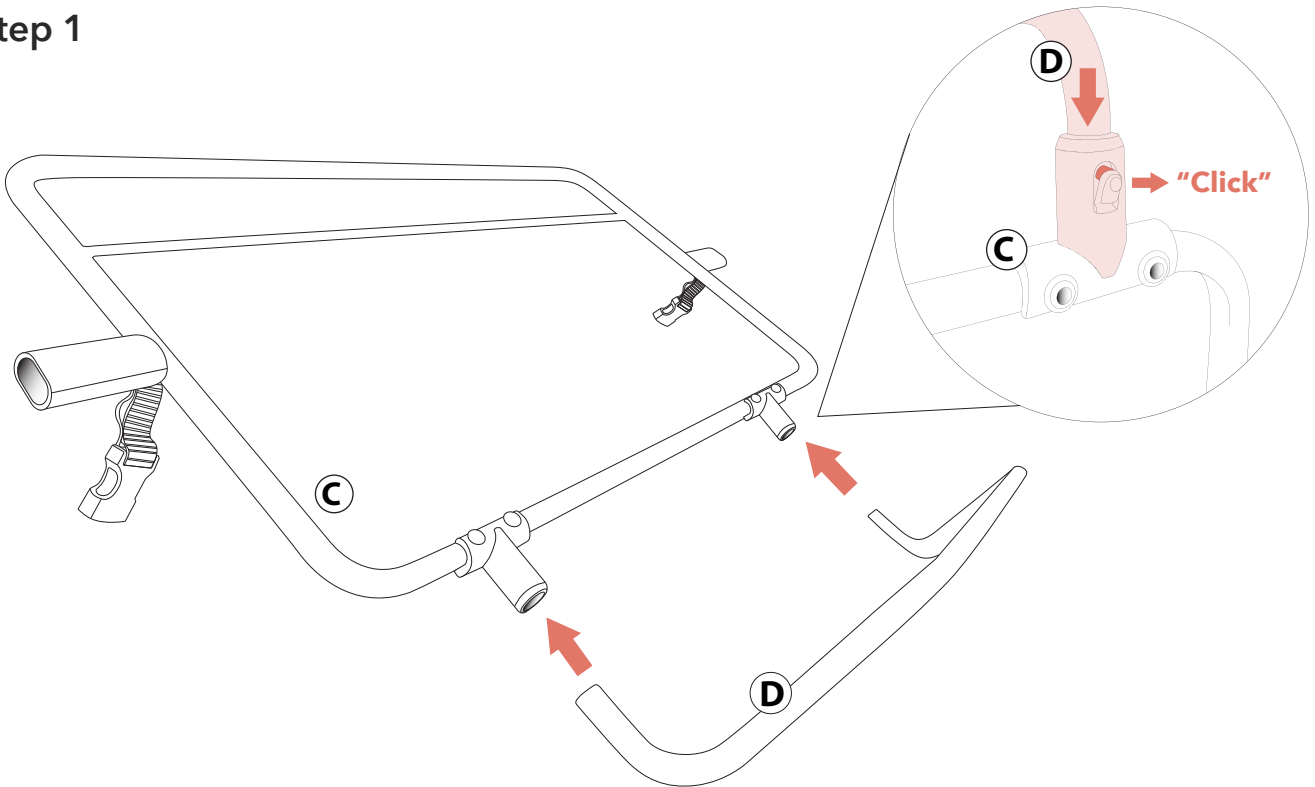


Parts





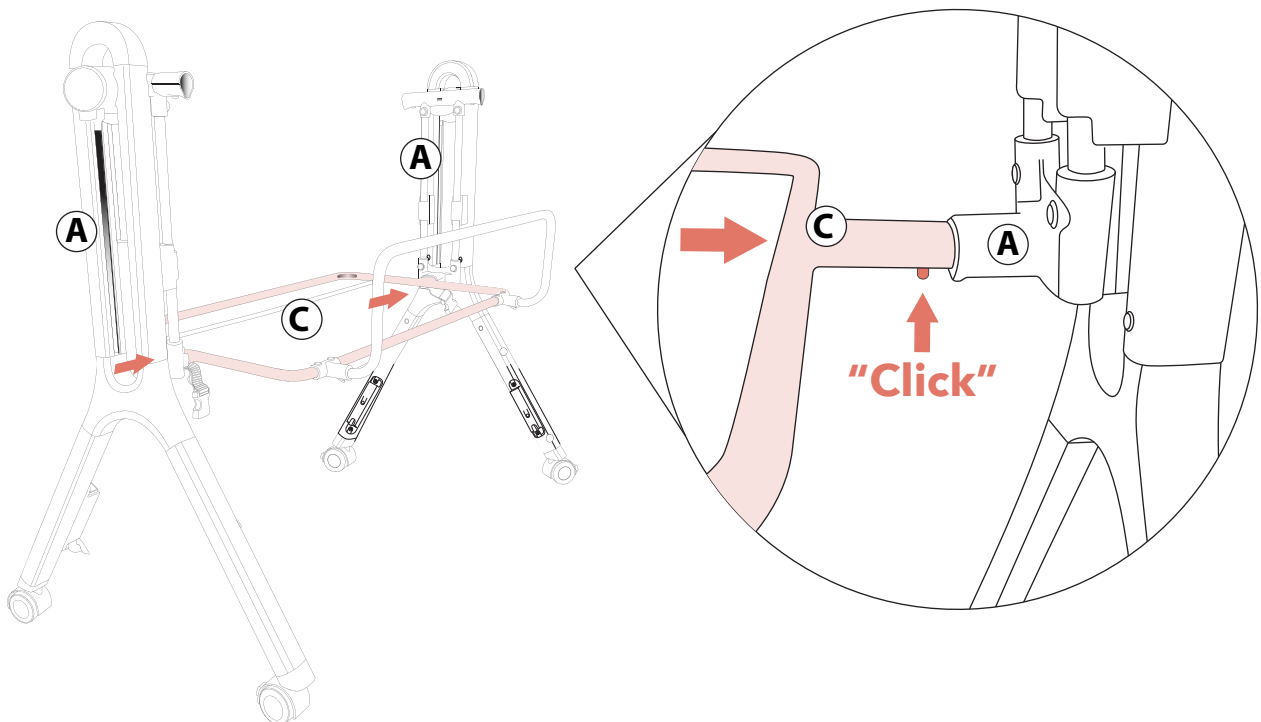
### Step 1



#### Assembling the Frame

Connect part D to the side of part C, allowing the spring pins to click in.

### Step 2



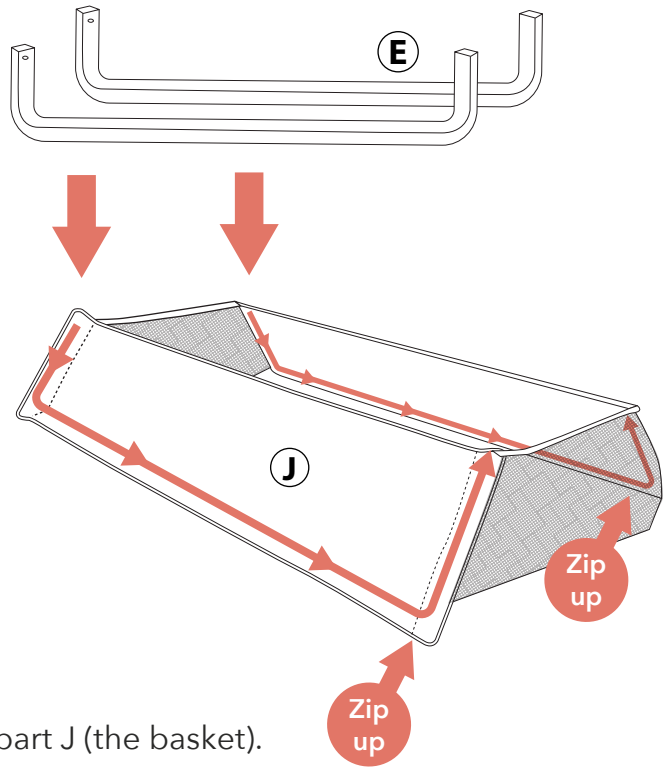
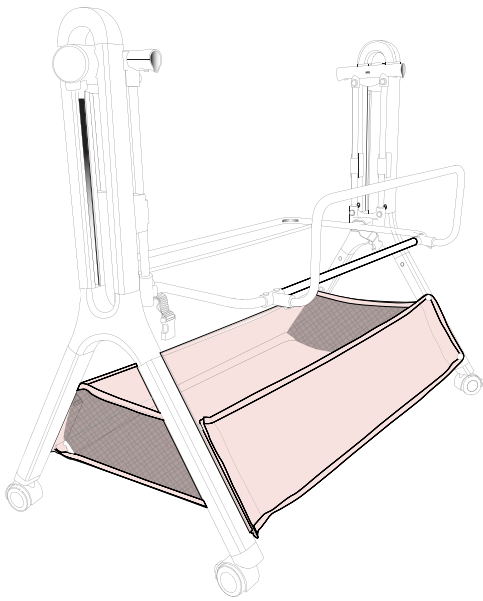
#### Assembling the Frame

Attach part C (base) to both Part A's (the legs) and allow spring pins to click into place.



# How to assemble your Cloud Bed Side Crib

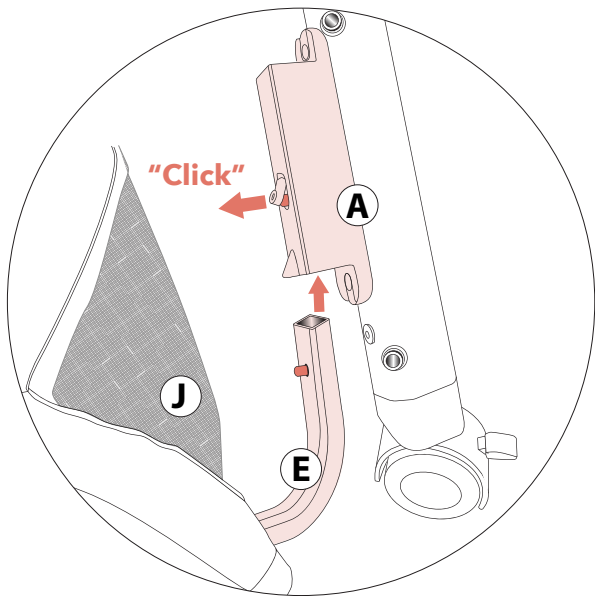
## Step 3



### Assembling the Storage Basket

Thread part E (poles) into the inner slots of part J (the basket). Then fasten the zippers up underneath.

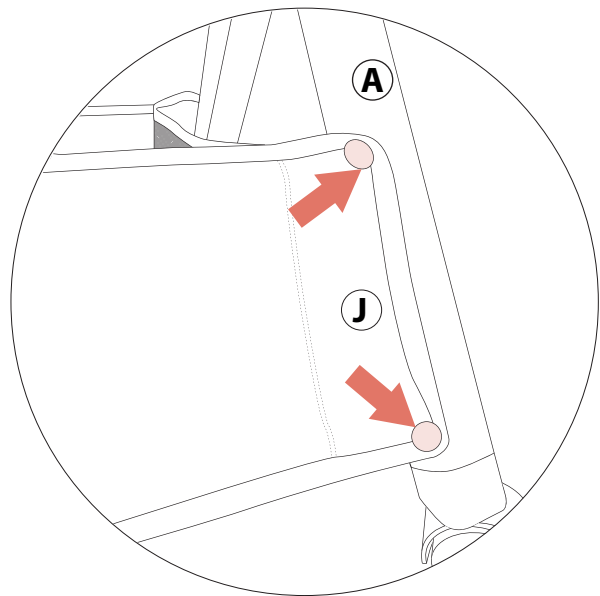
## Step 4



### Fitting the Storage Basket

Attach each side of part E (poles) to both Part A's (legs). Allow spring pins to click in.

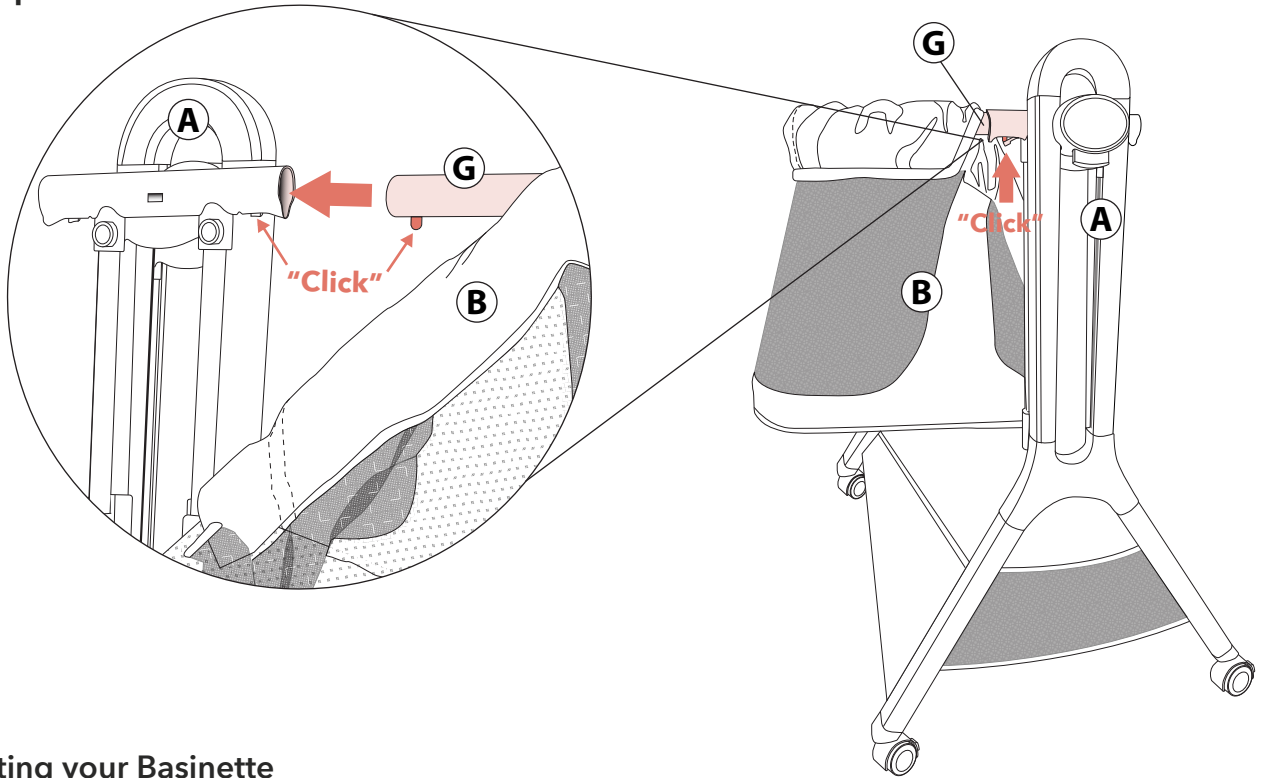
## Step 5



Attach part J (the basket) to both Part A's (the legs) with the press studs on each corner.



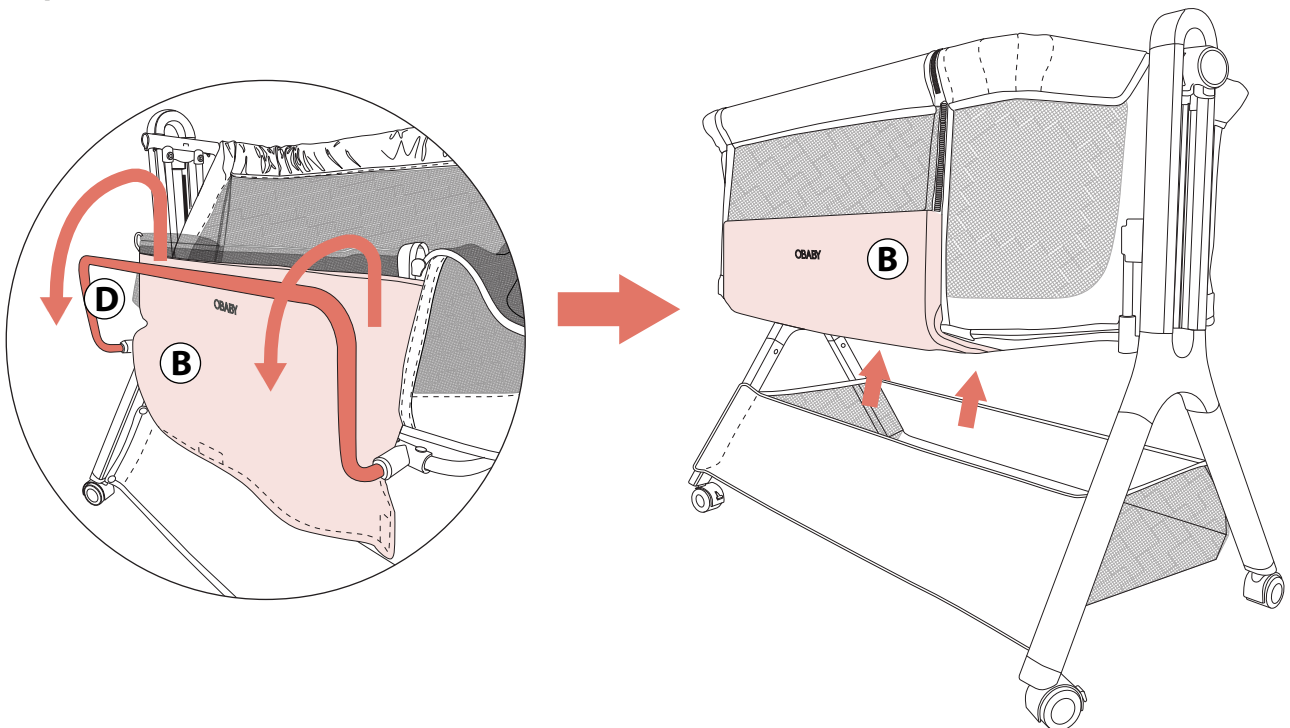
**Step 6**



**Fitting your Bassinette**

Thread pole on part B (bassinette) into the fitting on both part A's (legs). Allow the spring pins to click in place.

**Step 7**



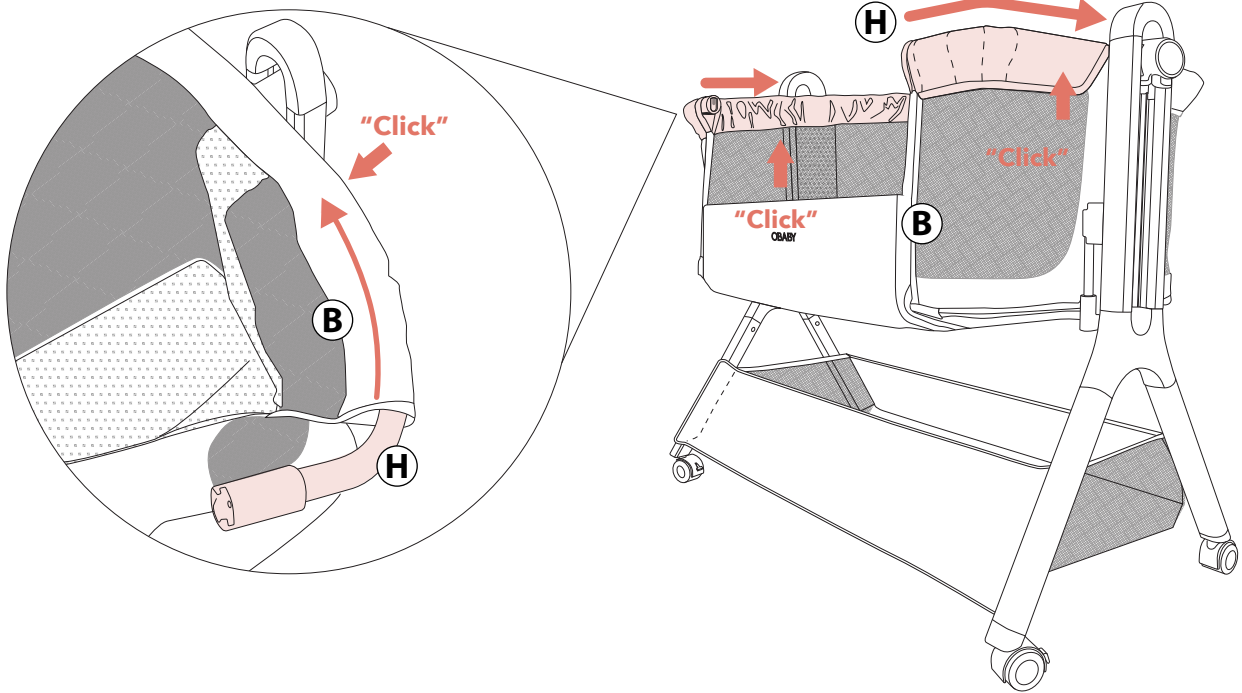
**Fitting your Bassinette**

Slot the side support part D (side bar) into part B (bassinette).

Attach the bottom of the front panel underneath bassinette with velcro tabs.



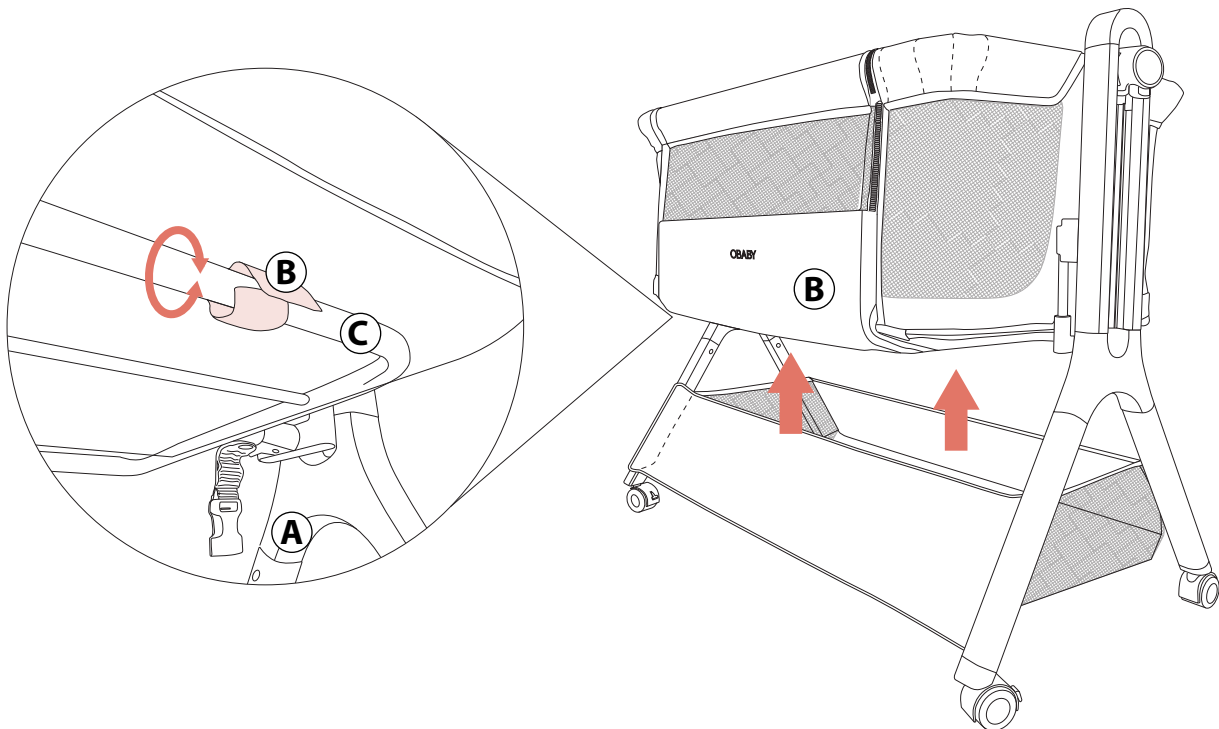
## Step 8



### Fitting your Bassinette

Slot part H (top poles) into the top of part B (bassinette) underneath the fabric sides into part A (legs).

## Step 9

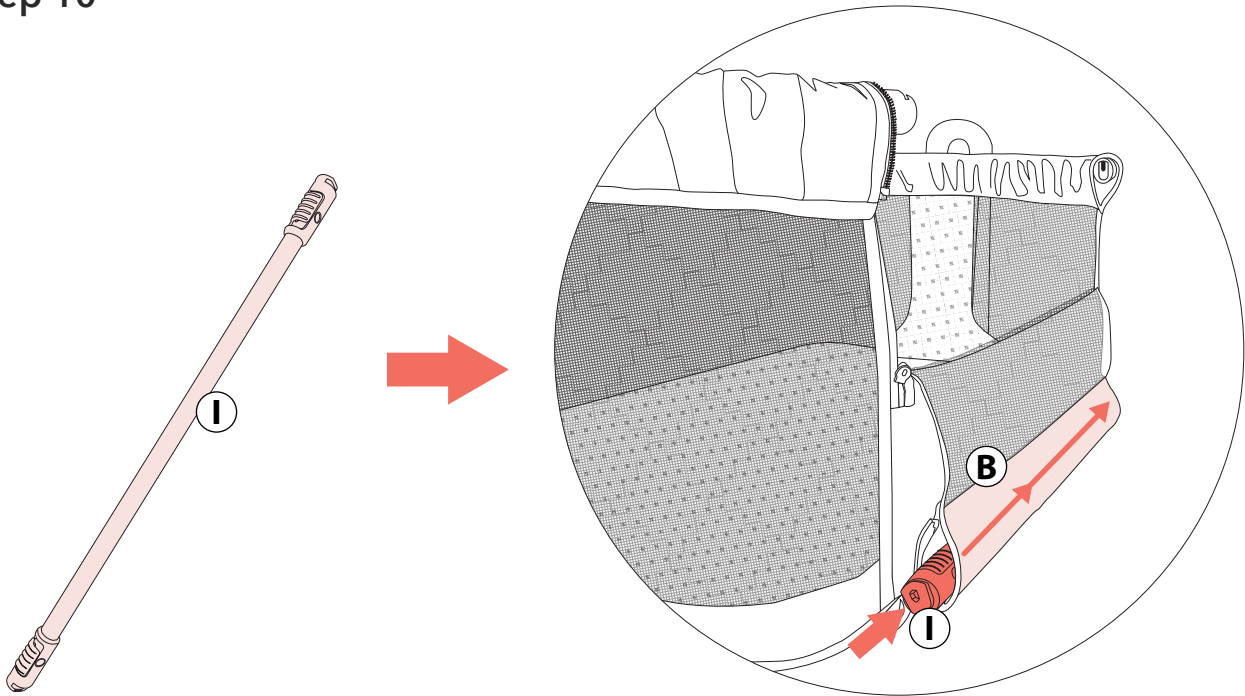


### Fitting your Bassinette

Under part B (bassinette) wrap the velcro around part C (base).



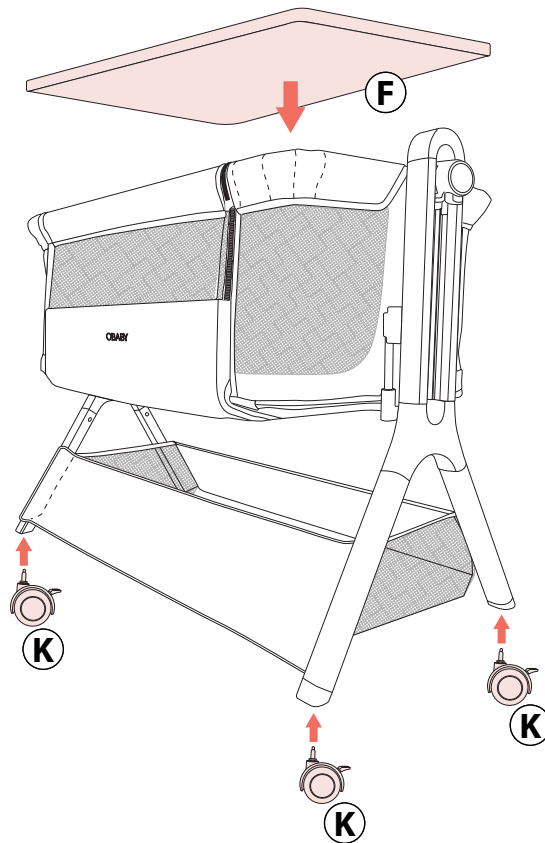
### Step 10



#### Assembling your Basinette

Thread part I (front crib bar) into front sleeve of part B (bassinnet).

### Step 11

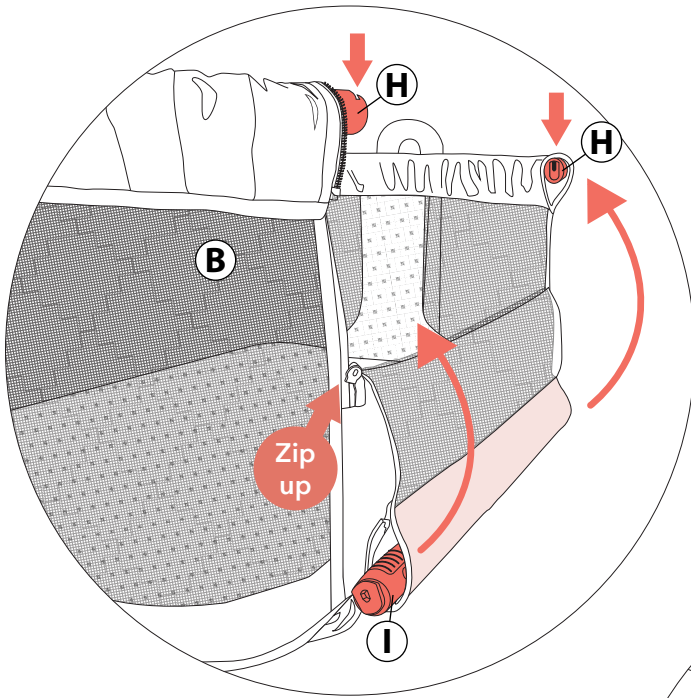


#### Fitting your Basinette

Under part B (bassinnet) wrap the velcro around part C (base).



## How to use your Cloud Bed Side Crib

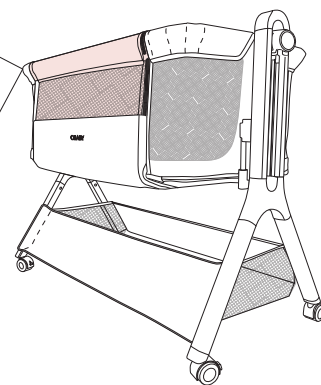
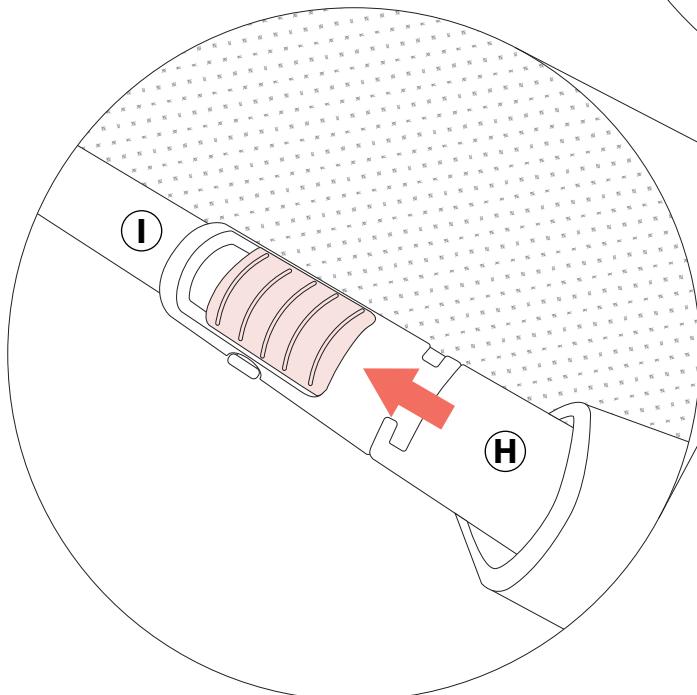
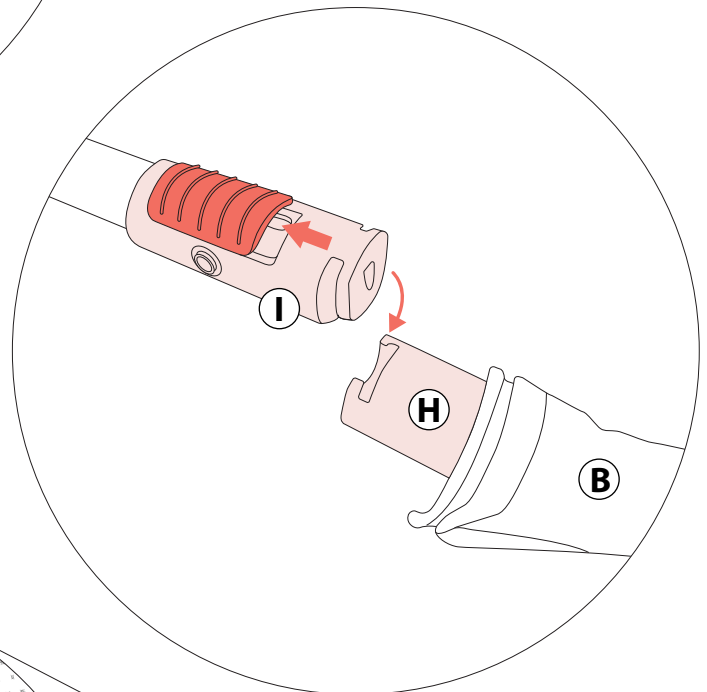


### Crib Mode

Lift part I (front bar) & slot both sides into part H (top to bassinet frame), then fasten the zips.

### Removing Crib Bar

To attach the front panel; push button inwards on both sides and lift the bars up into place.

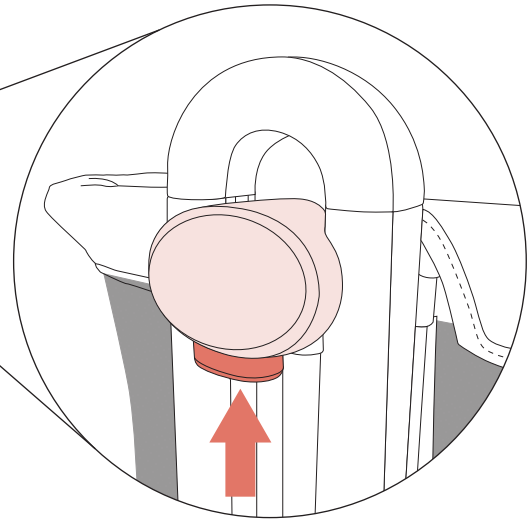
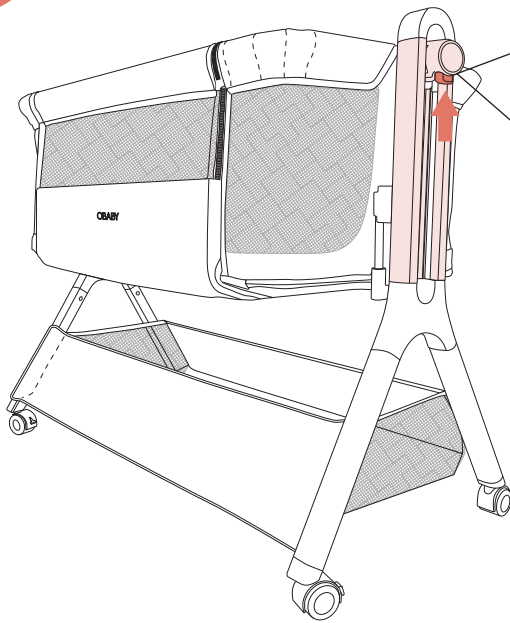


### Bed Side Crib Mode

To lower the front panel; push button inwards on both sides and lift the bars up.

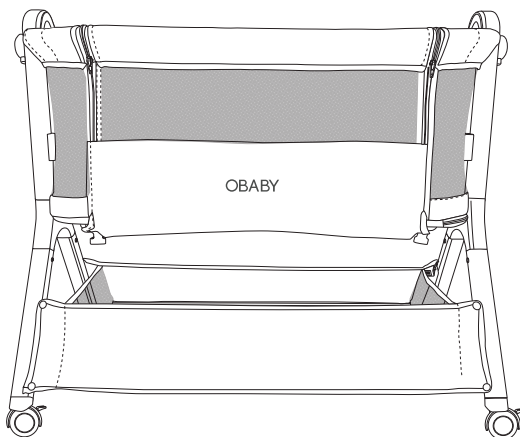
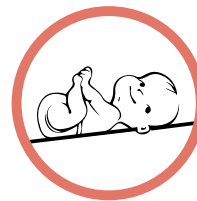


Do not adjust the height while baby is in the bassinet.

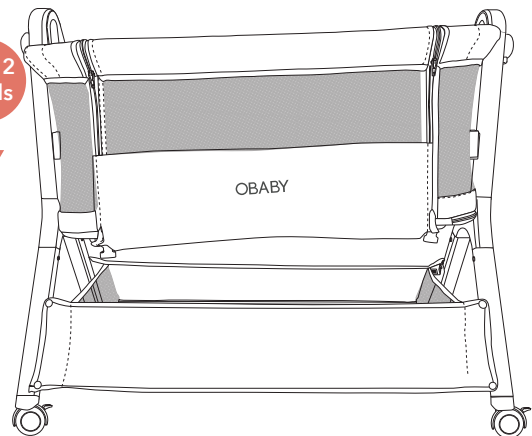


### Adjusting the height of your bassinet

Press both buttons up on bassinet legs & adjust height until it clicks into your preferred height.



Max 2 levels  
↓



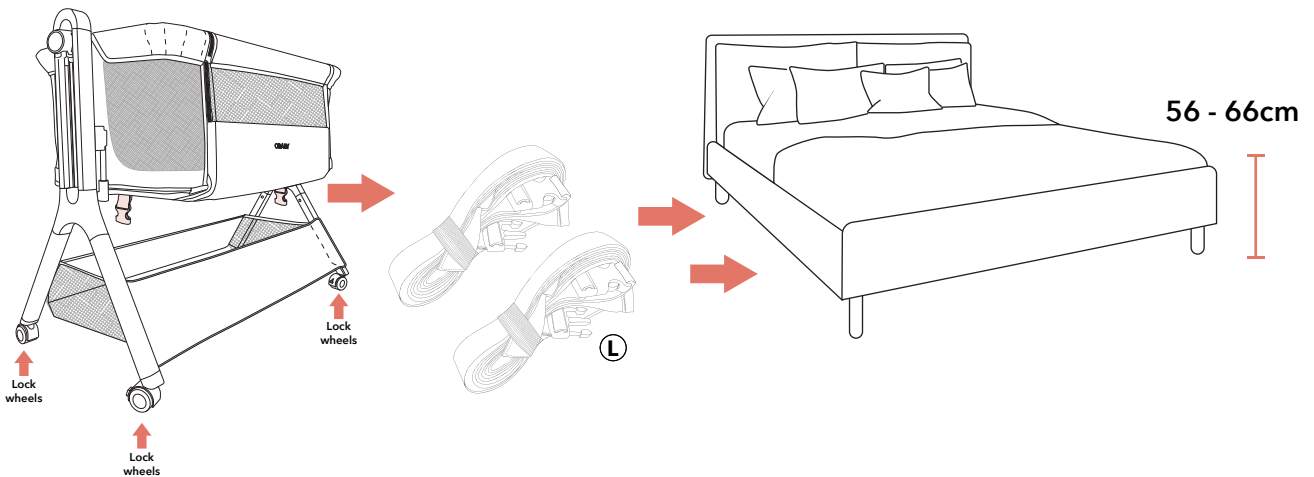
### Anti-Colic Mode

To help your baby with colic, lower the foot end of the crib by 1 or 2 levels.

⚠ Ensure the head is higher than the feet.



## Attaching your crib to your bed



### Positioning your crib

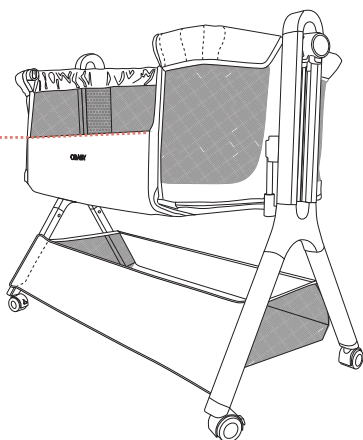
⚠ **Compatible for adult beds between 56 - 66cm from floor to the top of the adult mattress.**

Use parts L (the straps) to attach the crib firmly to your bed, without leaving a gap between the bed & the crib.

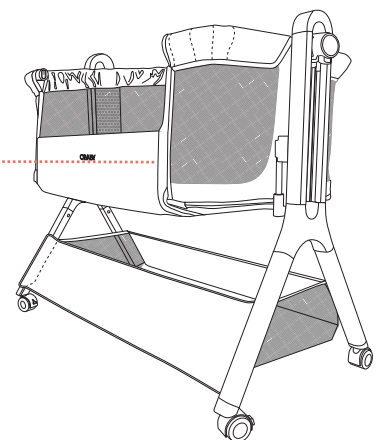
- Wrap part L's around the adult bedframe, and tighten so there's no gaps between the bed & the crib.
- **Lock the wheels in place when using in bedside mode.**



Adult bed should be this height



Do not position the crib higher than the adult bed



### Crib & Adult Bed height

⚠ **To avoid death from the infant's neck being caught on the top rail on the side that is next to the adult bed, the top rail must be no higher than the adult mattress.**

⚠ **ALWAYS RAISE THE SIDE WHEN NOT ATTACHED TO THE ADULT BED.**



# OBABY

[obaby.co.uk](http://obaby.co.uk)



OfficialObaby



obaby\_uk



obabyuk



officialobaby



obabyuk