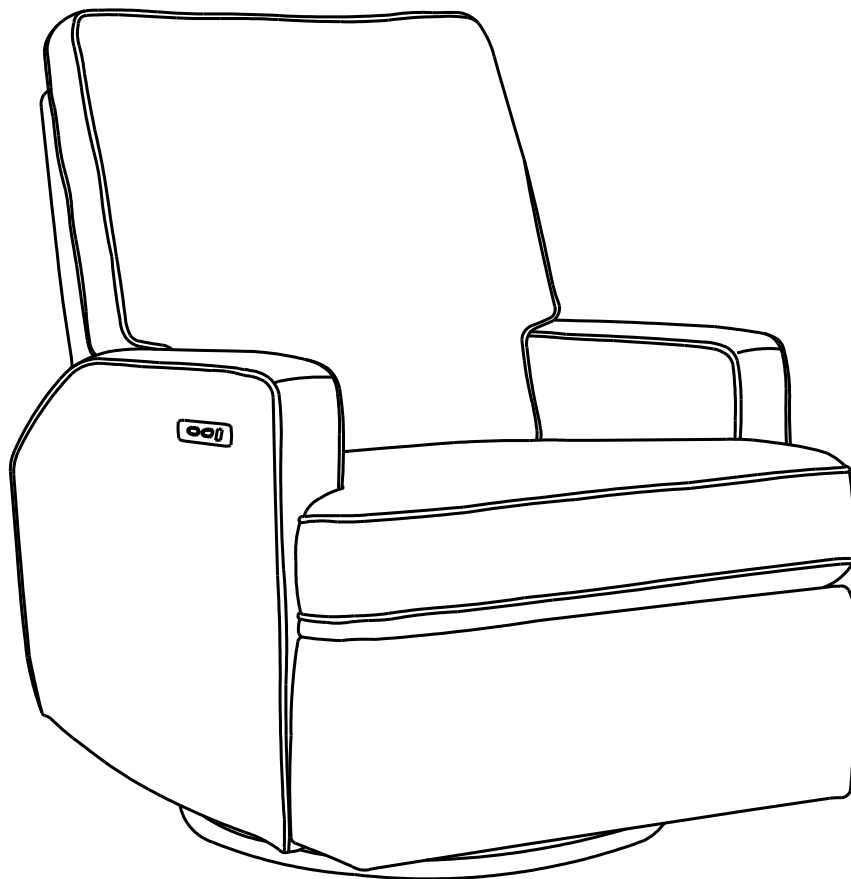




OBABY

Madison Electric Swivel Glider Recliner Chair

Instructions



**IMPORTANT
KEEP FOR FUTURE REFERENCE**





Safety

Thank you for choosing Obaby. This chair conforms to BS EN 12520: 2015. To ensure that your gliding chair is used in accordance with these instructions, please read them fully. Your child's safety may be affected if you do not follow these instructions.

WARNING: Assembly should be carried out by a competent adult only.

WARNING: A child's safety is your responsibility.

WARNING: Care should be taken as the underside mechanism of this glider could present a hazard to other people when in use.

WARNING: Do not sit on the edge of the seat, armrests or on the backrest as this could cause the chair to tip over.

WARNING: Do not leave children unattended on or beside the chair.

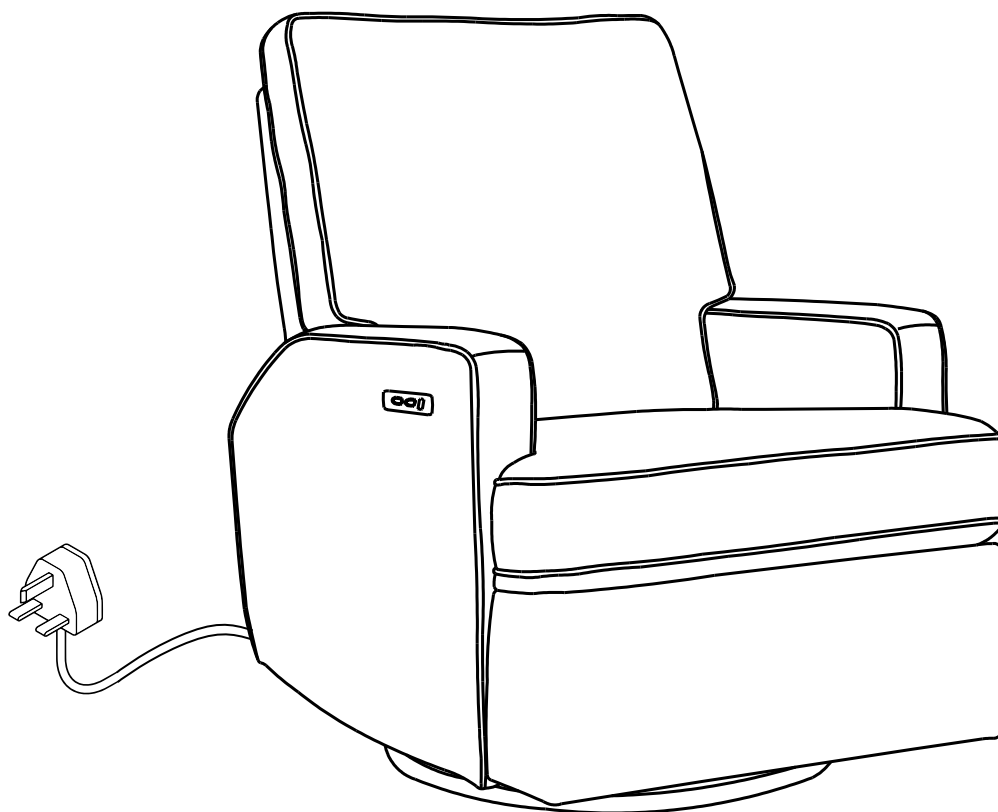
WARNING: Care should be taken as the underside mechanism of the chair could present a hazard to other people when in use

- Be aware of the risk of open fire and other sources of heat, such as electric bar fires, gas fires, etc. in the near vicinity of the glider chair.
- Do not use the glider chair if any part is broken or missing. Use only spare parts approved by the manufacturer.
- All assembly fittings should be tightened properly and care should be taken to ensure that no screws are loose, as a child could trap parts of the body, or clothing (e.g. ribbons, drawstrings, necklaces) this could lead to strangulation.
- Regularly check that all fittings and components of the glider chair are fully tightened and in working order.
- Fabric may bleach in the sun or transfer from dark fabrics such as denim may discolour lighter fabrics
- During assembly children should be kept away from the product due to possible risk of injury.

ROUTINE CARE & MAINTENANCE

- Wipe away spills immediately to prevent staining.
- Use a cloth dampened with water and/or mild soap or a professional product to clean the fabric - always test an inconspicuous area first.
- Allow upholstery to dry and brush lightly.
- DO NOT USE BLEACH.
- DO NOT USE any abrasive substances.
- From time to time, check your glider chair for loose screws, and worn parts. Replace or adjust the parts as needed.

Due to constant updating and improvements, some components may occasionally differ slightly from the images shown in these instructions. We reserve the rights to change the specifications of any products without prior notice. If you need any assistance please contact your Obaby retailer.



CAUTION

RISK OF ELECTRIC SHOCK. USE IN DRY LOCATION ONLY.

POWER CORD SAFETY

UNPLUG AND REMOVE POWER CORD FROM THE WALL AND THE BACK OF THE ELECTRONIC CHAIR WHEN NOT IN USE. STORE THE CORD OUT OF REACH OF CHILDREN.

DANGER

TO REDUCE THE RISK OF ELECTRIC SHOCK;
ALWAYS UNPLUG THE POWERED ELECTRONIC CHAIR FROM THE ELECTRICAL OUTLET BEFORE CLEANING.

CAUTION:

Do not allow children to play on this electronic chair or operate the mechanism. The leg rest folds down on closing and could possibly injure a child if they are near the folding mechanism. Do not leave children unattended on or near the chair. Always leave the chair in an upright and closed position. Keep hands and feet clear of mechanism. Only the adult occupant should operate the chair.



WARNING

RISK OF FIRE.

MAKE SURE THE POWER CORD IS NOT UNDER THE METAL BASE OF THE ELECTRONIC CHAIR. THIS IS A FIRE HAZARD.

POWER CORD SAFETY

UNPLUG AND REMOVE POWER CORD FROM THE WALL AND THE BACK OF THE ELECTRONIC CHAIR WHEN NOT IN USE. STORE THE CORD OUT OF REACH OF CHILDREN.

DANGER

TO REDUCE THE RISK OF ELECTRIC SHOCK;
ALWAYS UNPLUG THE POWERED ELECTRONIC CHAIR FROM THE ELECTRICAL OUTLET BEFORE CLEANING.



The electrical component of this chair has been tested to the following standards. AS/NZS CISPR 14.1:2013 IEC 60335-1:2010 +A1:2013 +A2:2016

AS/NZS 60335.1:2011 + A1:2012 + A2:2014 + A3:2015

Power Supply (Power Supply)

BS EN IEC 61558-1:2019 BS EN 61558-1:2005+A1 BS EN 61558-2-16:2009+A1

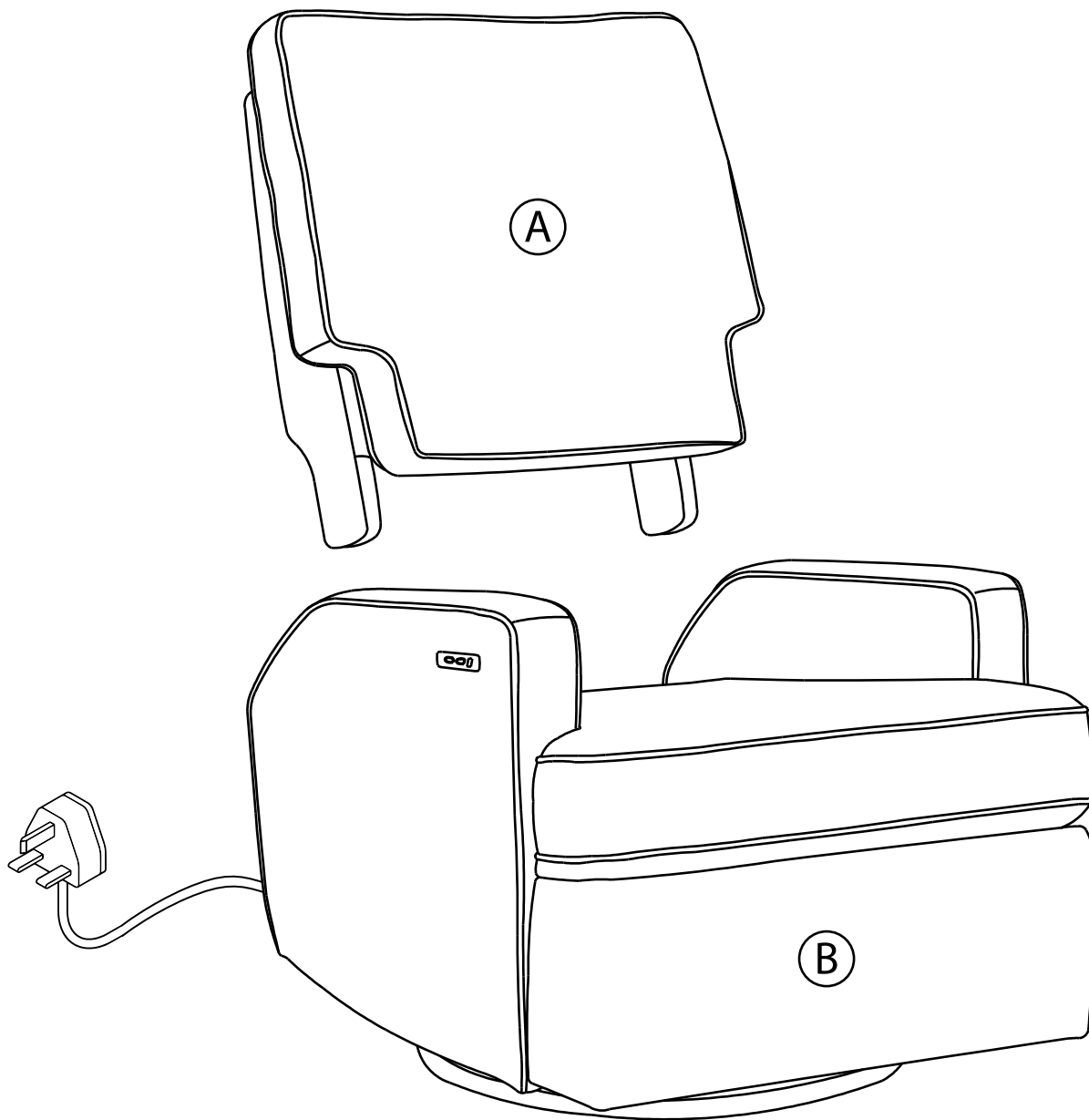
Motor / Linear actuator based on EN IEC 60335-1:2021 and Power pack / AC / DC adapter based on EN IEC 60335-1:2021.

EN 60335-1:2012 + AC:2014 + A11:2014 + A13:2017 + A1:2019 + A14:2019 + A2:2019 + A15:2021

EN 62233:2008 + AC:2008

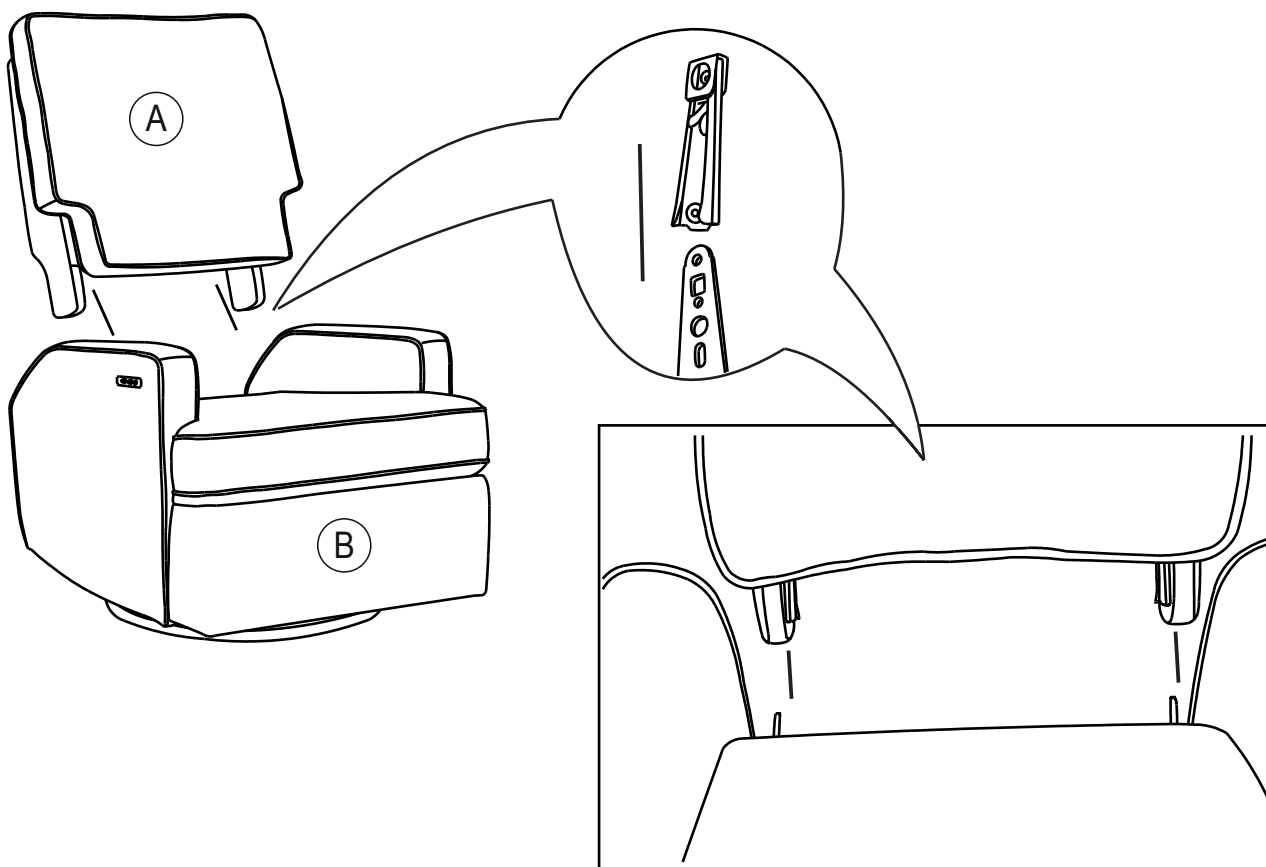


Stage 1





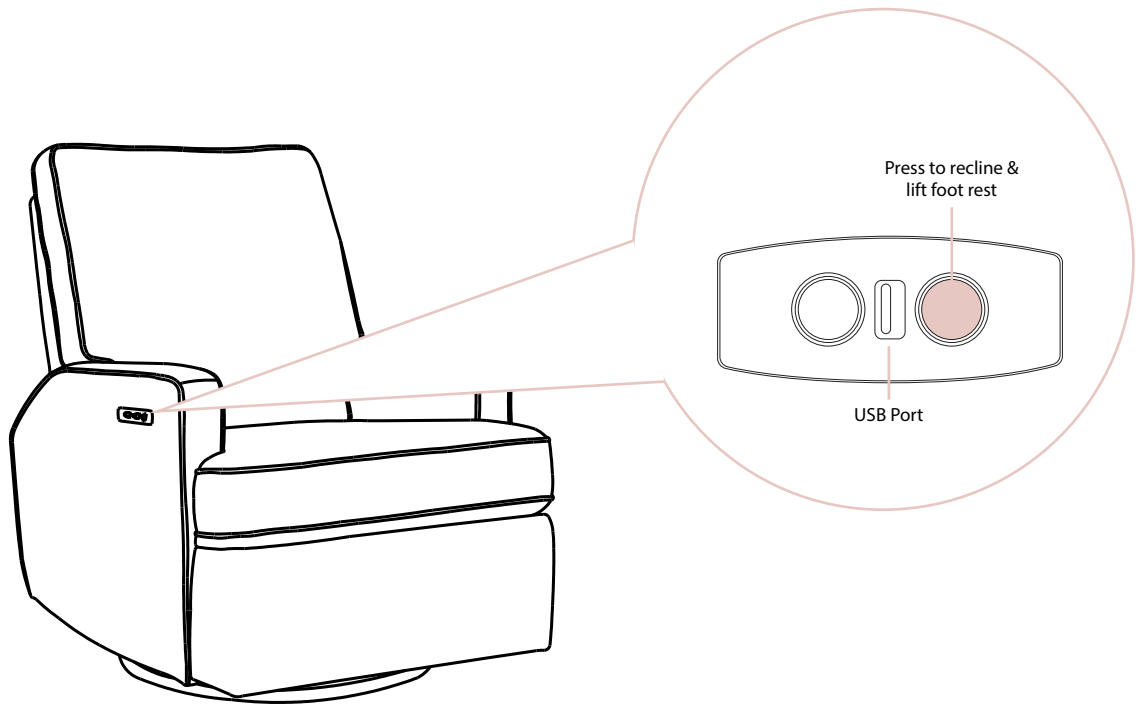
Stage 1



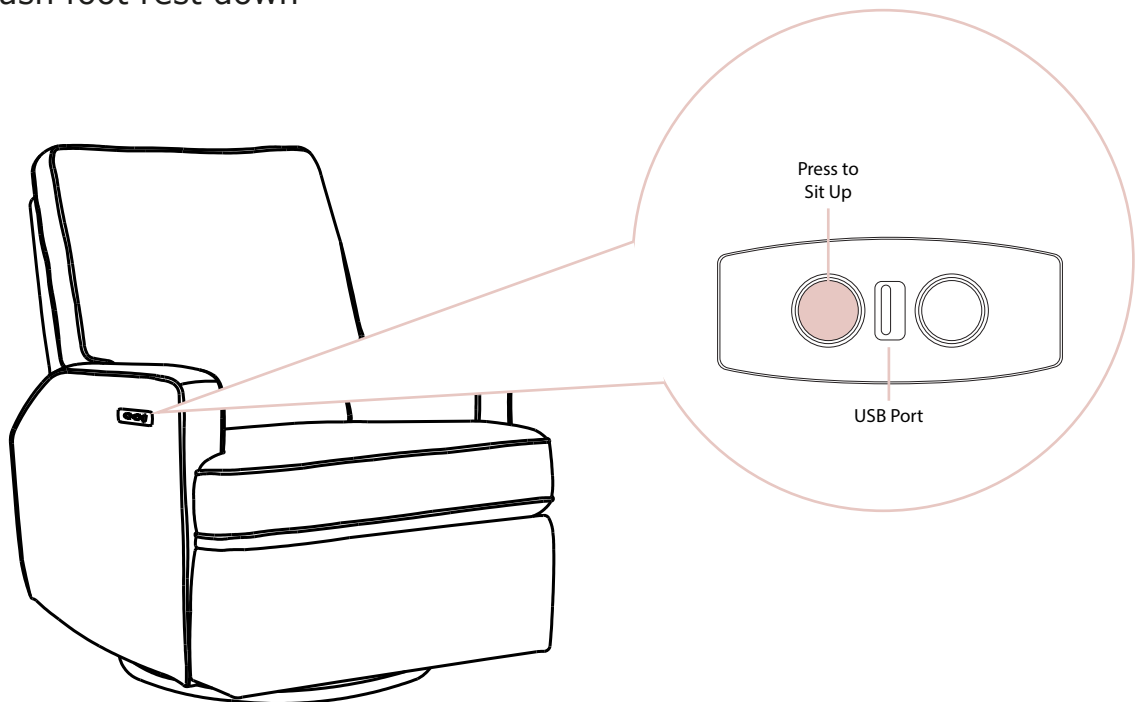


Using your Chair

To recline pull catch open



To sit up push foot rest down





obaby.co.uk



#ObabyUK

