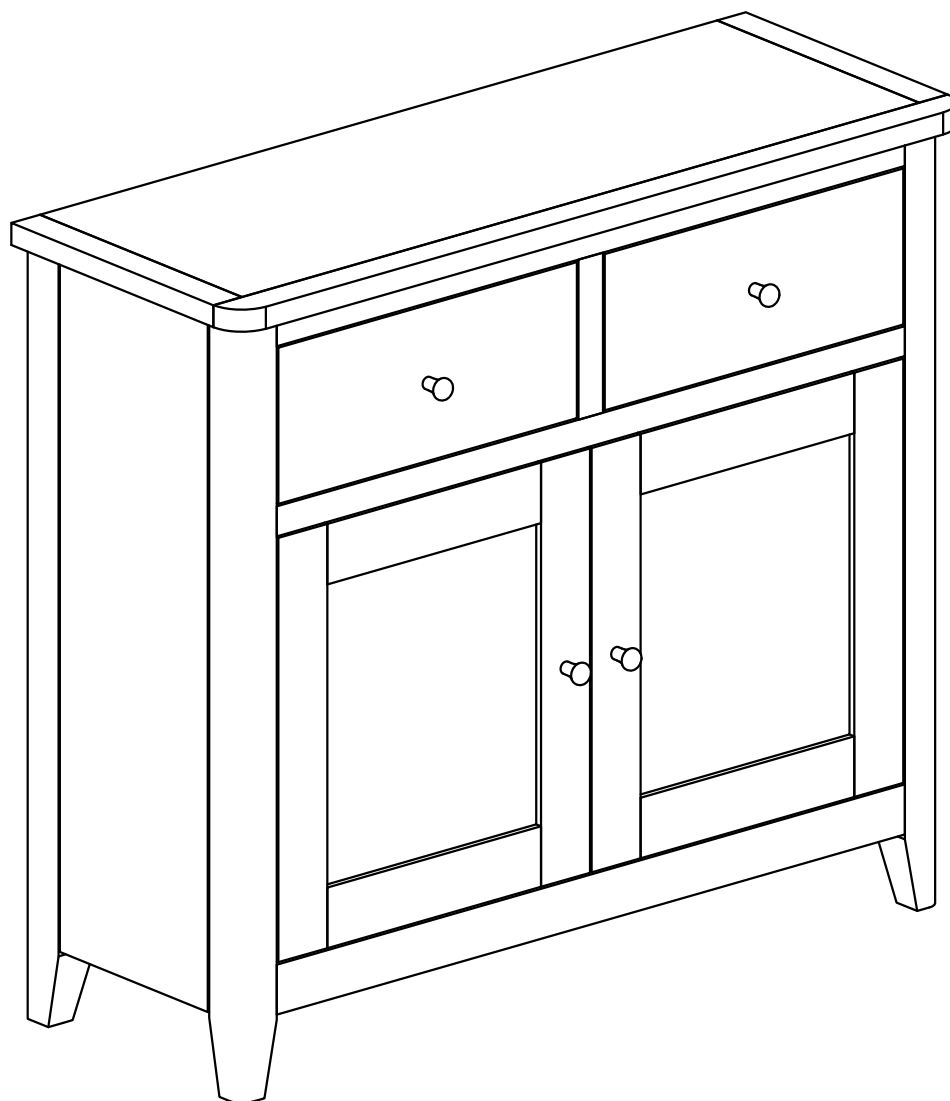


# BROMLEY II SMALL SIDEBOARD INSTRUCTIONS



**Dunelm**

[www.dunelm.com](http://www.dunelm.com)

# Thank you

## Dear Customer

Check the pack and make sure you have all the parts listed below. If not, contact the helpline on **03451 656565** who will be able to help you.

## Safety advice

**IMPORTANT** - The first step you need to take is to ensure your safety! Please take the time to read and understand these instructions before assembling your furniture.

Please keep these instructions for future reference.

Keep children and animals away from the assembly area. This furniture contains small parts that could cause choking if swallowed.

Keep all plastic wrapping materials away from babies and children to avoid danger of suffocation.

Ensure that all packaging is disposed of carefully and responsibly.

From time to time check that there are no loose fittings on the unit, re-tighten when necessary.

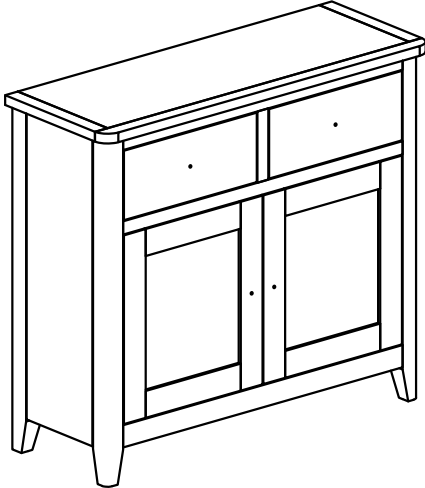
Two people may be required for the assembly of this product.

Once items are part or fully assembled, they are not returnable unless faulty.

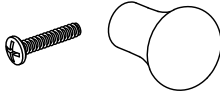
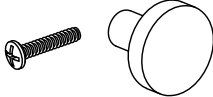
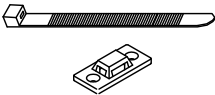
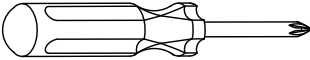
This item is not for outdoor use - unless stated otherwise.

Some items will be supplied with a wall fixing strap, which we recommend is used to secure the item to the wall, to prevent a child from accidentally pulling furniture over. Furniture can be dangerous if incorrectly installed. Assembly should be carried out by a competent person. No liability will be accepted for damage or injury caused by incorrectly installed or assembled furniture.

# Component parts supplied

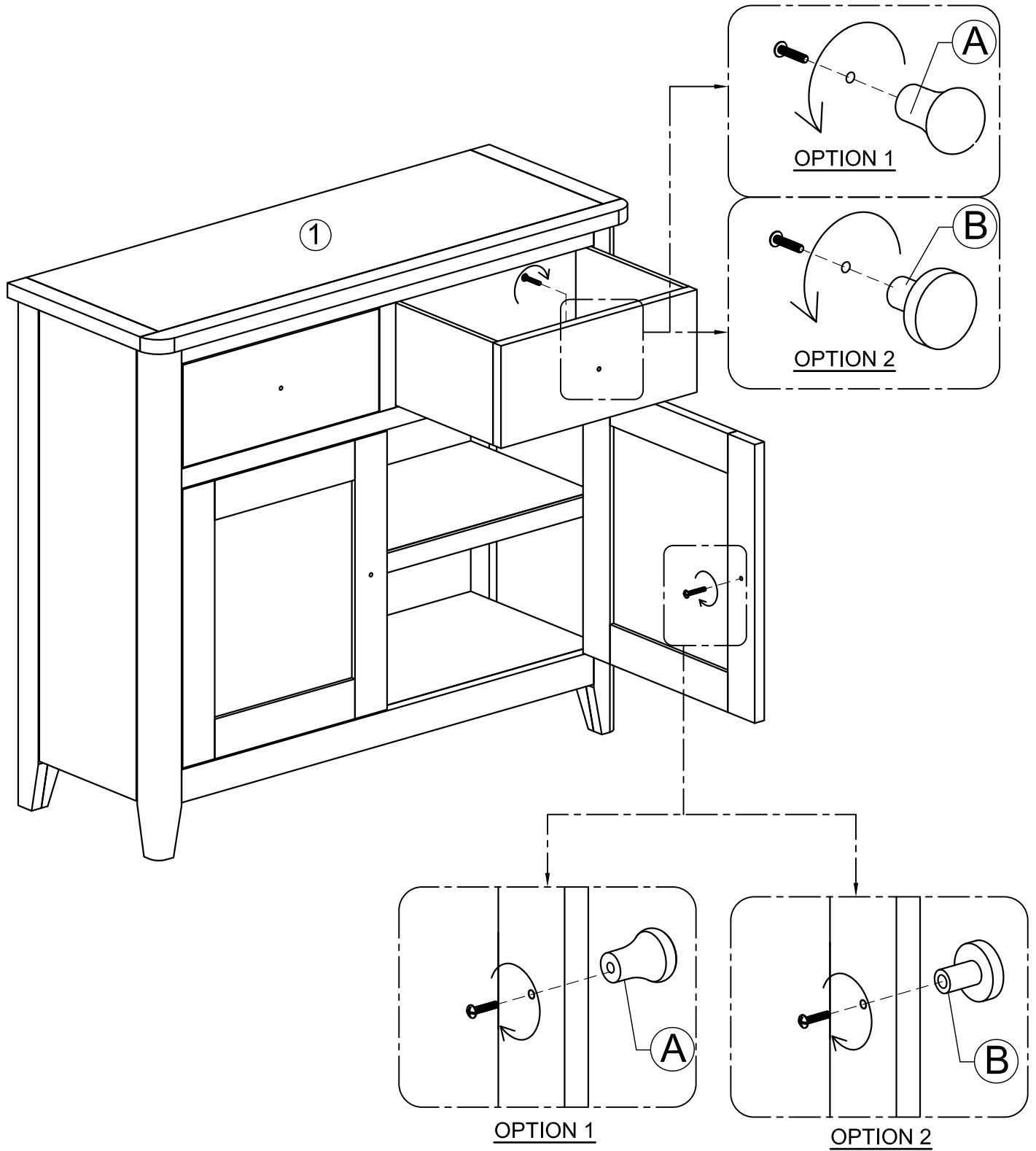
Ref	Dimensions	Visual	Q'ty
1	90 x 33 x 80 cm	 <p>Sideboard</p>	1

# Parts and Fittings

Ref	Name hardware	Visual	Q'ty
A	Wooden handle with Bolt		4 Sets
B	Metal handle with Bolt		4 Sets
C	Anti-Tip kit		2 Sets
Screwdriver (not included)			

# Assembly instructions

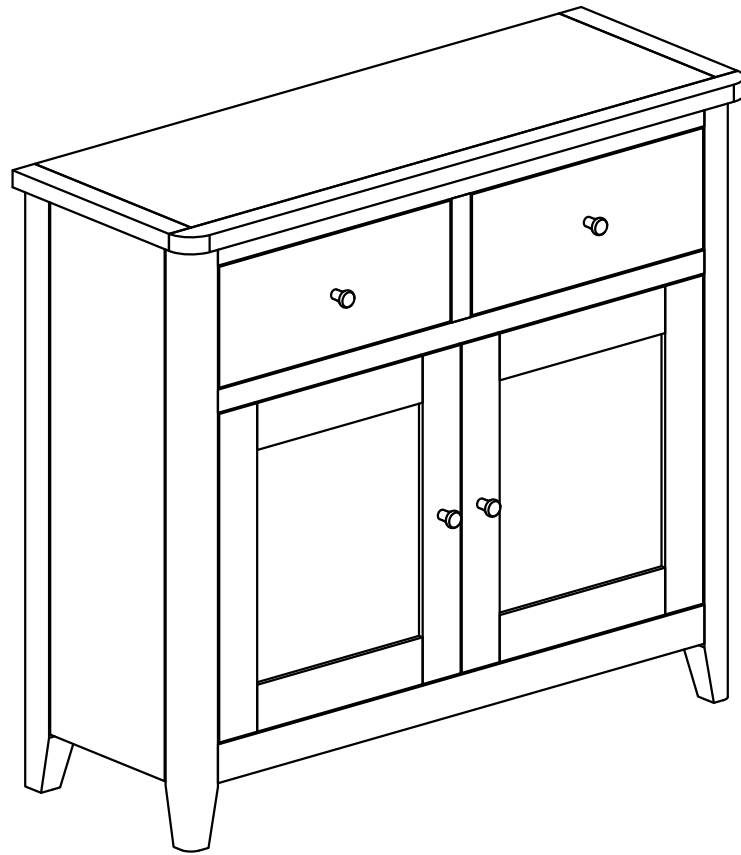
STEP 1



# Assembly instructions

FINAL

OPTION 1



OPTION 2



# Tip kit instructions

Your item of furniture has been provided with a wall attachment for your safety. It is highly recommended that this is used to prevent furniture over tipping which can cause serious or fatal crushing injuries.

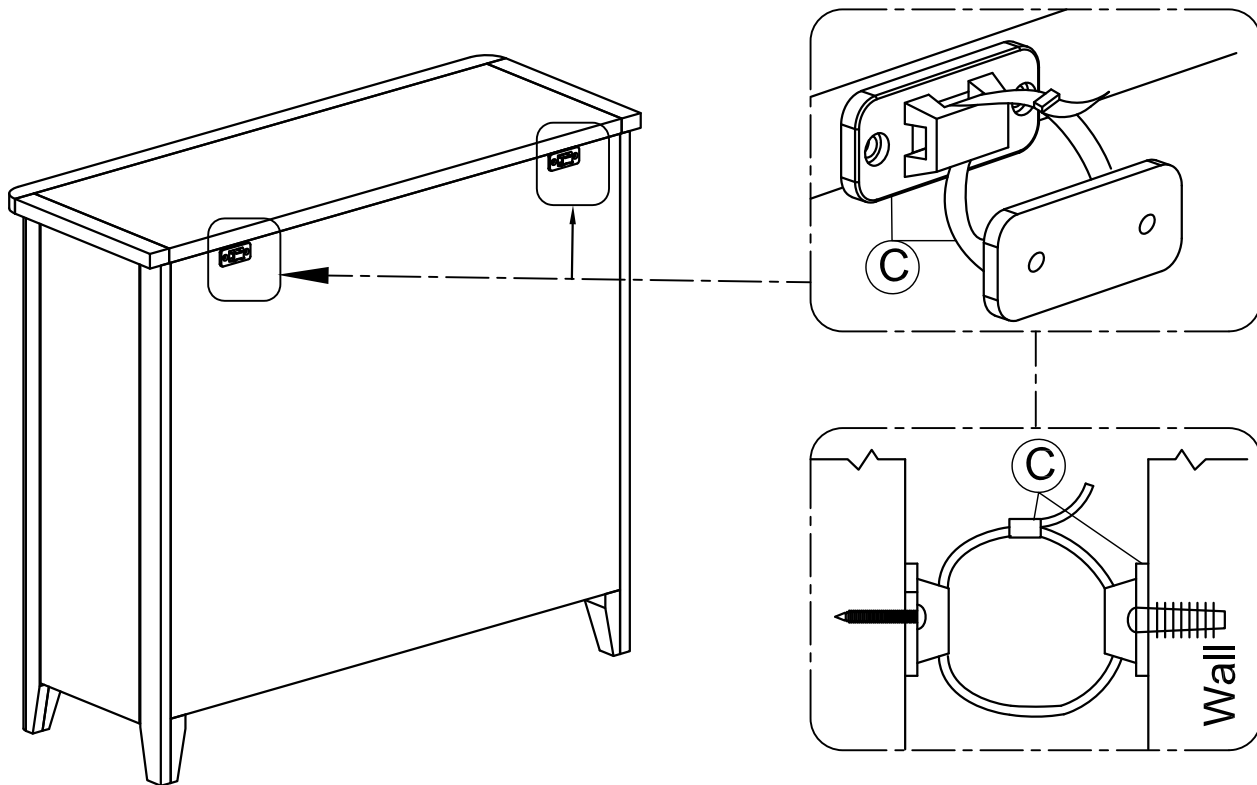
Never allow children to climb or hang on the drawers, doors or shelves.

Place the heaviest items in the lower drawers or shelves.

Never open more than one drawer at a time.

A suitable attachment device is provided with your product; however you will need to source suitable fixings for your wall.

If in doubt, please consult a qualified tradesperson.



## Wall fixings

This wall fixing is provided for your safety and we recommend that once in position the unit is secured to the wall for extra stability

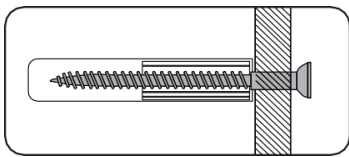
Wall fixings may vary depending on item of furniture purchased.

Wall fittings are not provided as different wall types require different raw plugs and screws.

Please ensure that you use fittings that are suitable for your wall type (see next page for a general guide).

# Wall fixings

## Step by step



### Important

When drilling into walls always check there are no hidden wires or pipes etc. Make sure that the screws and wall plugs being used are suitable for supporting your unit. Consult a qualified tradesperson if you are unsure.

## Hints

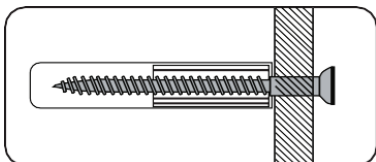
1. General Rule; Always use a larger screw and wall plug if you are not sure.
2. Ensure you use the recommended drill bit to match the wall plug and hole size.
3. Ensure you drill the hole horizontally, do not force the drill or enlarge the hole.
4. Take extra care when drilling high walls, ceilings and ceramic tiles. Ensure the plug is fitting below the ceramic tile to avoid splitting or cracking.
5. Ensure wall plugs are well fitted and are a tight fit in the drilled hole.

## Types of Walls

You can use one of the following types of wall plug if your walls are made of brick, breeze block, concrete, stone, wood or plastic board.

### 1. STANDARD Wall Plug

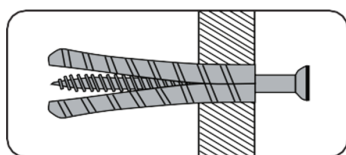
General wall materials



These come in various sizes and are made from plastic or sometimes wood fibre.

### 2. GENERAL PURPOSE Wall Plug

Aerated/Breeze block

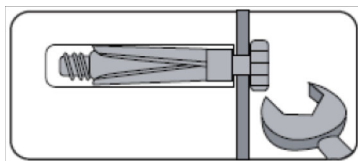


Generally aerated blocks should not be used to support heavy loads, use a specialist fitting in this case. For light loads, a General Purpose Plug can be used.

### 3. SHIELD ANCHOR

#### Wall Plug

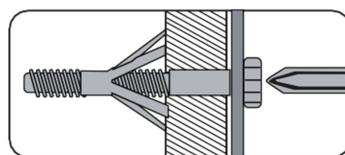
Heavy loads



For use with heavier loads such as TV & Hi-fi Speakers and Satellite Dishes etc.

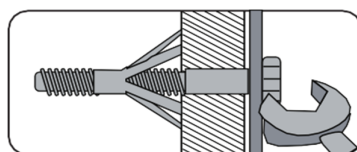
### 4. CAVITY FIXING

#### Wall Plug



For use with plaster board partitions or hollow wooden doors.

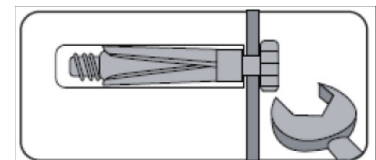
### 5. CAVITY FIXING HEAVY DUTY Wall Plug



For use with plaster board partitions or hollow wooden doors

### 6. HAMMER FIXING

#### Wall Plug



For use with walls stuck with plaster board. The hammer fixing allows it to be fixed to the wall rather than the plaster board. Always check the fixing is secure to the retaining wall.

## Care and Maintenance

### ⚠ Safety

Always check the fitting and location to ensure your safety in and around the home.

### ⚠ Fitting

From time to time check the fitting to ensure the wall plugs or screws do not become loose.

## Wood care advice

Wood is a natural product and each piece is individual.

As a natural product, wood is affected by temperature and humidity. We recommend that you avoid placing the furniture directly in front of heat sources such as radiators or fires as this can cause cracking or warping over time.

The color will mellow over time and new items can vary in shade from items that you have already purchased.

Strong direct sunlight can affect the color dramatically, so try to avoid this as much as possible,

Always lift your furniture into place, avoid dragging it across the floor as this can cause damage to joints.

When placing furniture on a wooden or laminate floor, please ensure that the plastic or felt protectors are securely fitted and in place.

Only clean using a damp cloth and mild detergent, do not use bleach or abrasive cleaners.

From time to time check that there are no loose screws on this unit.

Remove any spills immediately to avoid staining. Dust regularly with a soft lint free cloth or duster.

The use of abrasive polish or silicon-based polishes is not advised as these can affect the polished finish and joints over time

Uneven floors could give the impression that doors of wall units and wardrobes are out of alignment.

Be aware of this and compensate, if necessary, by adjusting the hinges or packing a corner to level the item. Please refer to the instructions, included with your furniture, and adjust accordingly.

If your furniture becomes stained, scratched, chipped or suffers other damage, we recommend professional help is sought to restore it. Please contact our customer services line for recommended agents.

Always follow fitting instructions carefully and retain them for future use.