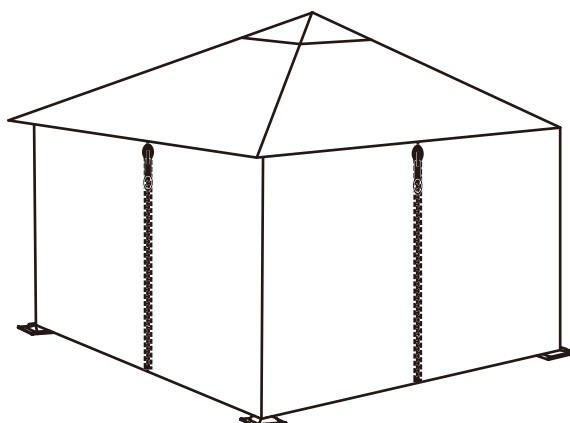
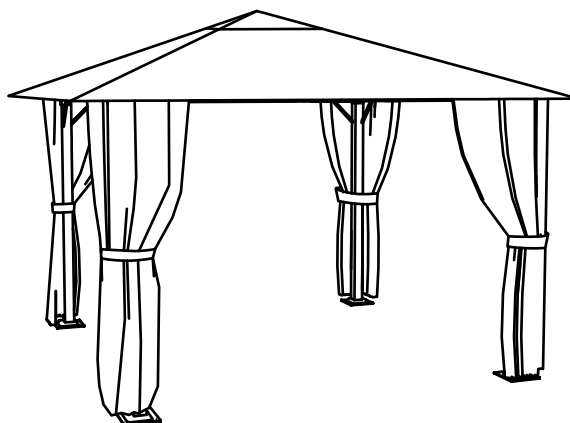


## Assembly Instructions

Product size:

250 X 250 X H250 CM

300 X 300 X H250 CM



**The Gazebo should be assembled at the place intended for use.**

**Note:**

**Diagrams are for the understanding of the Assembly Purpose only;  
they are not drawn to the scale.**

**And they may not represent the actual appearance accurately.**

**IMPORTANT, RETAIN FOR FUTURE REFERENCE**

**READ CAREFULLY**

## Before you start

### Warnings

#### **IMPORTANT, RETAIN FOR FUTURE REFERENCE READ CAREFULLY**

See enclosed instructions for assembly, safety and care information.

Failure to follow the warnings could result in serious injury.

**The product contains small parts which could pose a risk to young children. Keep small parts out of reach of children.**

Children should not be allowed in the work area. Do not let them handle parts and tools. Do not allow children to climb on any part of the gazebo during assembly or when it is in use.

During all the processes of assembly, especially when lifting heavy or large parts, pay attention to your own safety. No one other than those persons assisting with the assembly should be allowed in the work area.

Handle heavy parts with care.

Ensure that this product is fully assembled as illustrated before use.

This product should only be used on firm, level ground.

Do not stand or climb onto this product.

This product is intended for domestic use only.

Ensure the product is always placed on level ground.

Furniture can be dangerous if incorrectly used. No liability will be accepted for damage or injury caused by incorrect use of this product.

### Dos

Select ideal location. Ideally, the gazebo should be set up in the desired location to avoid moving it after assembly.

When you are ready to start, make sure that you have the right tools, plenty of space and a clean, dry area for assembly.

Unwrap all packaging materials and place the components on suitable surface to prevent scratching your product.

Check the pack and make sure you have all of the parts listed.

Check all screws and bolts are tightened and inspect regularly.

To clean, wipe down with a sponge and warm soapy water and wipe with a clean, dry cloth.

Always use the provided stakes (optional parts: please check parts list) to secure your gazebo to the ground unless you set up on concrete or asphalt.

To avoid damage to your gazebo, It is also highly recommended to remove the gazebo top canopy, curtains(if included) and awning(if included) during inclement or stormy weather.

### Don'ts

Do not use your gazebo for permanent shelter, it was designed for temporary use only.

Do not stand or climb onto the product.

Do not use power tools to construct this product.

Do not sit or lean onto the rims of this product.

Do not use this product if parts are missing, damaged or worn.

Never use scourers, abrasives or chemical cleaner.

Never set up or continue to use in any rainy, windy or stormy conditions, especially during lightning storms. Damage can occur to your gazebo and put you and others in potential danger.

Do not use sharp, pointed or heavy object to cut, prick or hammer this product.

Do not use this product near the fire source.

Do not use this product as a Parallel Bar. It is not a piece of Exercise Equipment.

## Number of people required for assembly



Minimum Two people required for safe assembly

## Time to assemble

1-2 Hours

## Tools required



### **Gazebo/Pergola should only be used as a sunshade.**

Make sure the product is fixed firmly to the ground or have a suitable weighted base to hold them in place. If not secured or weighted down they will move position if there is the strong wind.

Please be aware that this product is not permanent structure and we recommend removing the canopy/curtains between October and March. These are the months when the weather will cause damage to the fabric.

### **Warning**

1. It is the consumer's responsibility to comply with any relevant local planning requirements.
2. Two-Four persons are required for assembly. The tools required are a screwdriver or wrench, stepladder and other relevant safety items such as gloves. We recommend the use of protective equipment.
3. This gazebo will take at least 1-2 hours to set up. You must allow enough time to complete the assembly. Do not leave it unattended if not fully assembled, even if bolted to the ground.
  - A. Make sure that all components are in the box. Read instructions carefully before starting the assembly.
  - B. Follow all instructions carefully to assure the strength of the gazebo.
  - C. In order to avoid damage to the gazebo and its components, use appropriate tools. Do not

[www.royalcraft.co.uk](http://www.royalcraft.co.uk)

use the structure as a support; a stepladder is recommended.

D. Check all screws on a regular basis to maintain the solidity of the structure.

E. Keep the instructions and parts list for further use.

4. The screws/bolts to anchor to a wooden deck and concrete patio are not included.

## Maintenance

1. In the event that your gazebo needs replacement parts, repairs or you require assistance with regards to assembly; please contact our customer sales team by email

[info@royalcraft.co.uk](mailto:info@royalcraft.co.uk)

2. For cleaning: Use a mild domestic soap or soft detergent and wash with warm water using a sponge or microfibre fabric. Rinse with clean water.

3. To preserve the fabric (canopy) we recommend the use of a UV protector spray like Fabsil this Block the harmful UV rays from damaging the fabric and also will keep the fabric protected from discoloration.

## Attention

Please do not leave your canopy closed during high winds / rain or winter months and the water will collate on top causing a pool and damaging the structure.

## Excluded








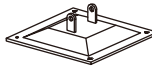


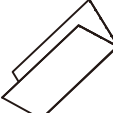


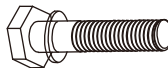
1. Damages due to vandalism, abuse and incorrect use of the product are not covered by the warranty

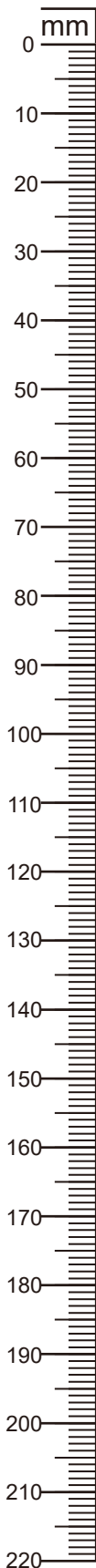
2. Damages due to extreme weather conditions such as thunderstorm, hail and high winds are not covered by warranty.




3. Canopy and/or Curtains will fade in the sunshine, the chemicals that make up the colours within the polyester fabric are broken down by ultraviolet light that is present in the sunshine, this is a natural process and is not covered by the guarantee or warranty. We do try to counteract this process by putting a UV resistant additive to the fabric however this only protects the fabric for a certain amount of time.

Components, fixtures & fittings (not actual size)

## Parts List

Part No.	Diagram	Qty.	Part No.	Diagram	Qty.
A	 Pillar	4 PCS	B	 Horizontal Beam	4 PCS
C	 Supporting Bar	3 PCS	D	 Supporting Bar with Adjustable End	1 PC
E	 Supporting Bar	4 PCS	F	 Hub	1 PC
G	 U-Shaped Bracket	8 PCS	H	 Pillar Base	4 PCS
I	 Corner Supporting Bar	8 PCS	J	 Canopy	2 PCS
K	 Curtain	4 PCS	T	 Peg Stake	16 PCS
N15	 M6*15mm Bolt	16 PCS	W15	 M6*15mm Bolts and Washers	48 PCS



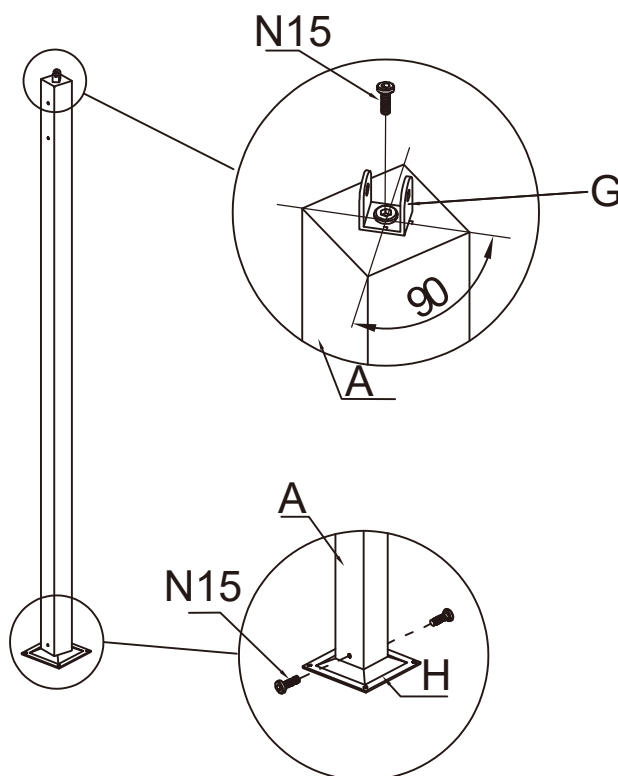
W35	 M6*35mm Bolts, Nuts, Washers and Caps	8 PCS	AK	 Allen Key	1 PC
S2	 Spanner	1 PC			

## Step by step assembly instructions

**Note: All bolts should Not be Over-Tightened.**

### Step One

- 1) Attach the U-Shaped Bracket (G) to the Top End of the Pillar (A) using Bolt (N15).  
Please note the direction of the U-Shaped Bracket (G).
- 2) Attach the Pillar Base (H) to the Bottom End of the Pillar (A) using Bolts (N15).  
Repeat above assembly process for other Pillars.  
12 PCS Bolts (N15) are needed in this Step.

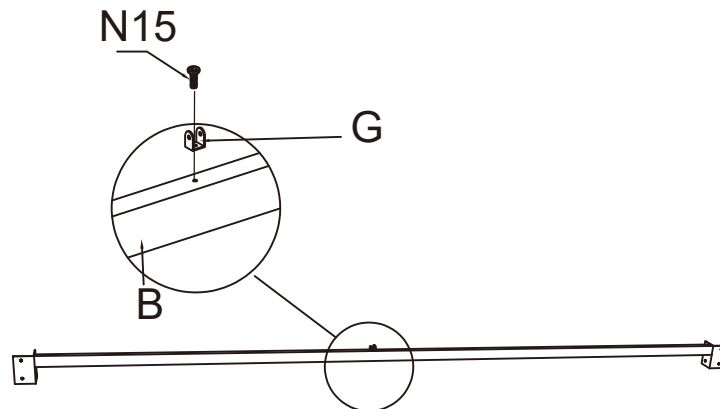


## Step Two

Attach the U-Shaped Bracket (G) to the Middle Part of the Horizontal Beam (B) using Bolt (N15).

Repeat above assembly process for other Horizontal Beams.

4 PCS Bolts (N15) are needed in this Step.

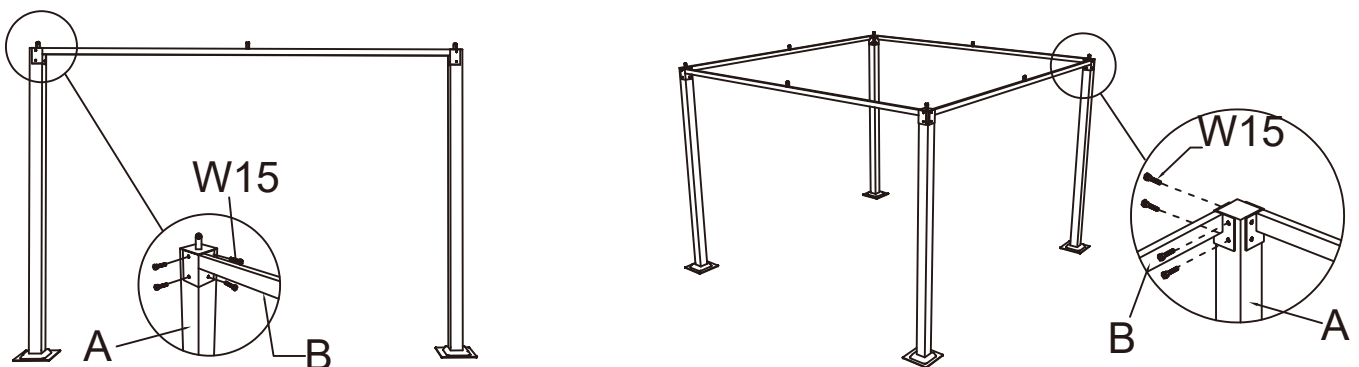


## Step Three

Attach the Horizontal Beam (B) to the Pillars (A) using Bolts and Washers (W15).

Repeat above assembly process for other Pillars and Beams.

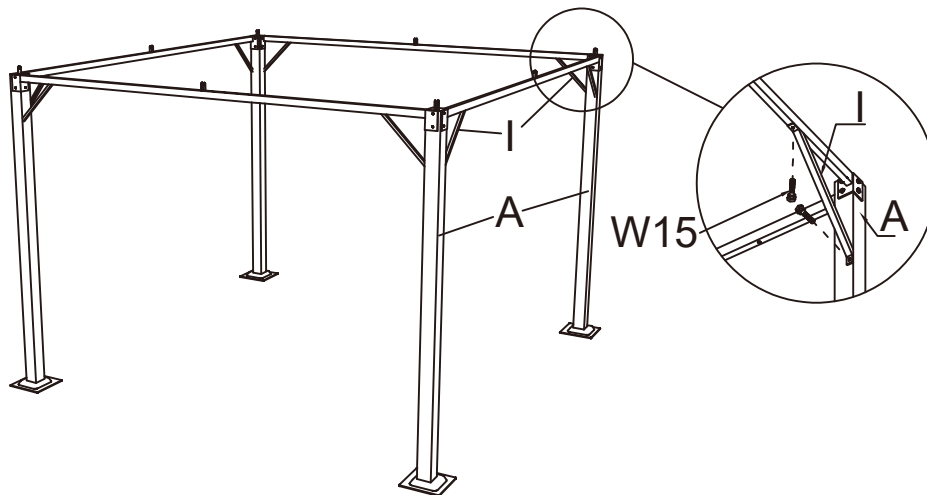
32 PCS Bolt and Washers (W15) are needed in this Step.



## Step Four

Attach the Corner Supporting Bars (I) to the Horizontal Beams (B) and Pillars (A) using Bolts (W15).

16 PCS Bolt and Washers (W15) are needed in this Step.



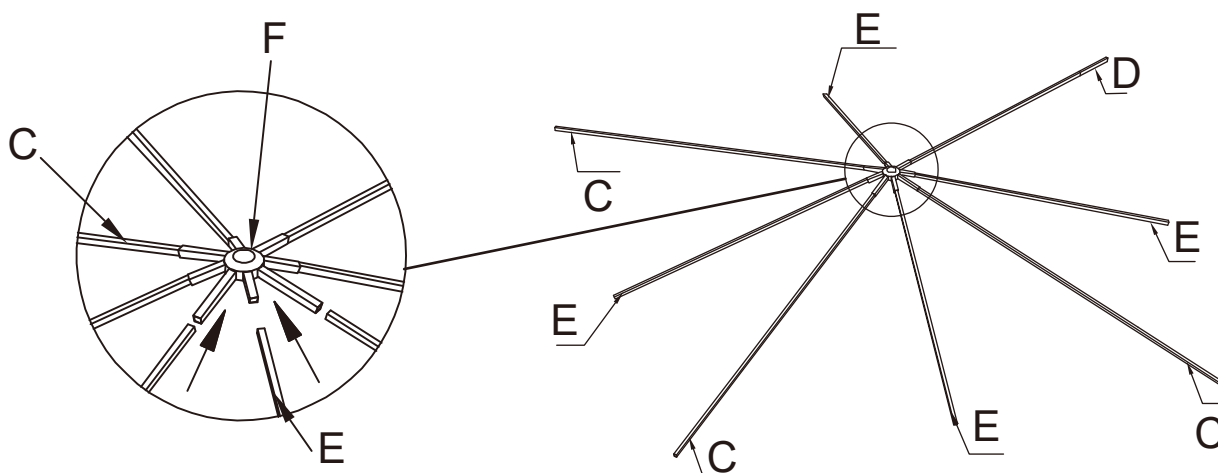
## Step Five

Attach the Supporting Bar (C), Supporting Bar (E) and Supporting Bar with Adjustable End (D) to the Hub (F).

Note: There are Short and Long tubes on the Hub, the short Supporting Bars (E) should be connected to the Short Tubes on the Hub (F) as per below diagram.

There are Pop-Up Buttons at the end of the Bars, please make sure they are correctly aligned and dovetailed.

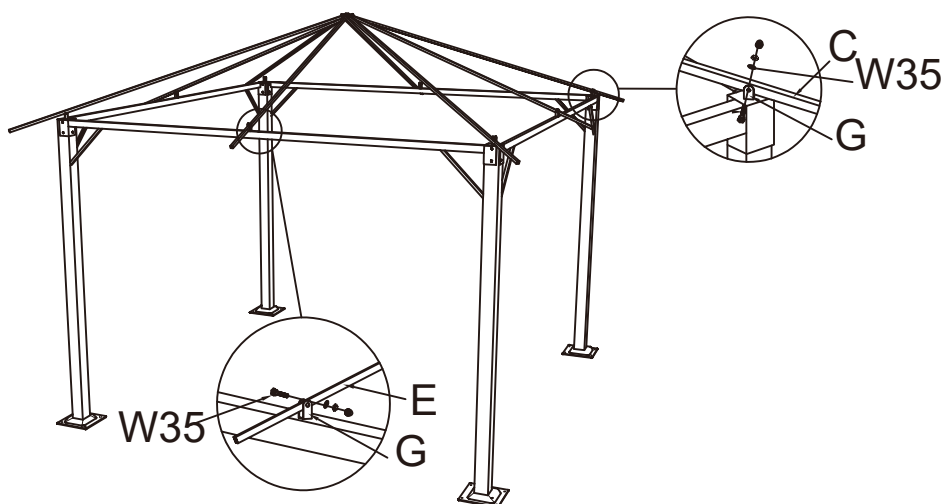
We call below Assembled Parts as **Canopy Frame**.



## Step Six

Attach the Canopy Frame to the U-Shaped Bracket (G) using Bolts, Nuts, Washers and Caps (W35).

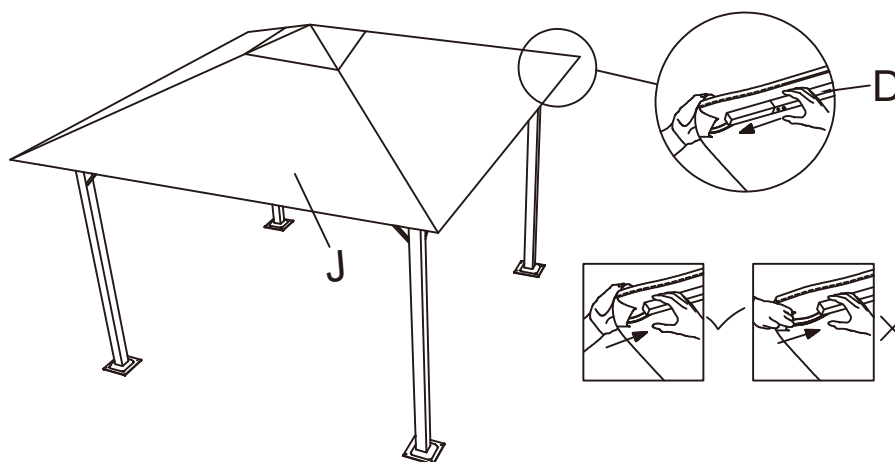
Note: The Long Supporting Bars (C) should be positioned to the Gazebo Corner. 8 PCS Bolts, Nuts, Washers and Caps (W35) are needed in this Step.



## Step Seven

Attach the Canopy (J) to the above Gazebo Frames.

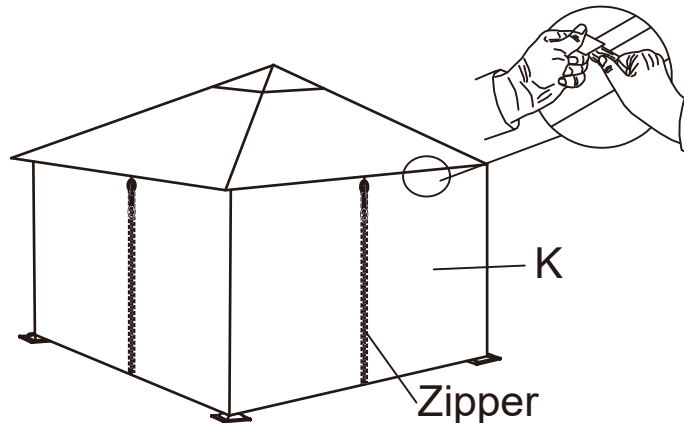
Note: The Supporting Bar with Pop-Up Button (D) should be the Last Bar to be attached. This Supporting Bar is with Pop-Up Button at end, it is used to adjust the length of the Bar so that it is more easier to attach the Canopy.



## Step Eight

Attach the Curtains (K) to the Beams of Gazebo Frames like below diagram by Velcro Bands. There is Zipper to Connect curtain each other.

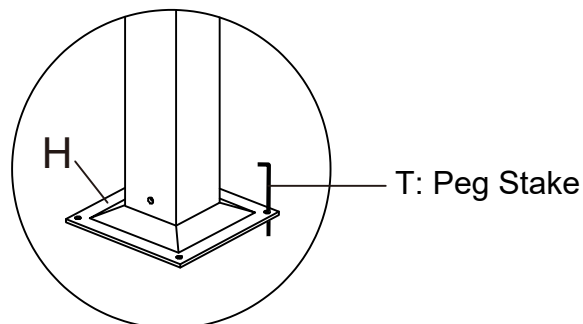
Note: The Zipper Edge of the Curtain should be positioned in the Middle of each Side.



## Step Nine

To stabilize the Gazebo, please insert 16 PCS Peg Stakes (T) into ground through the holes of the Pillar Base (H).

Ground should be earth ground.



## CARE INSTRUCTIONS

Please ensure your frame is secured to the ground once built. It is advised to remove your canopy during high winds and winter months.

Royalcraft recommends using Fabsil to protect your Gazebo roof canopies & curtains.

It can also be used on cushions & parasols or any material that you leave outside in your garden.

Protects against UV & gives extra waterproofing protection.

**PLEASE KEEP THESE INSTRUCTIONS FOR FUTURE REFERENCE**