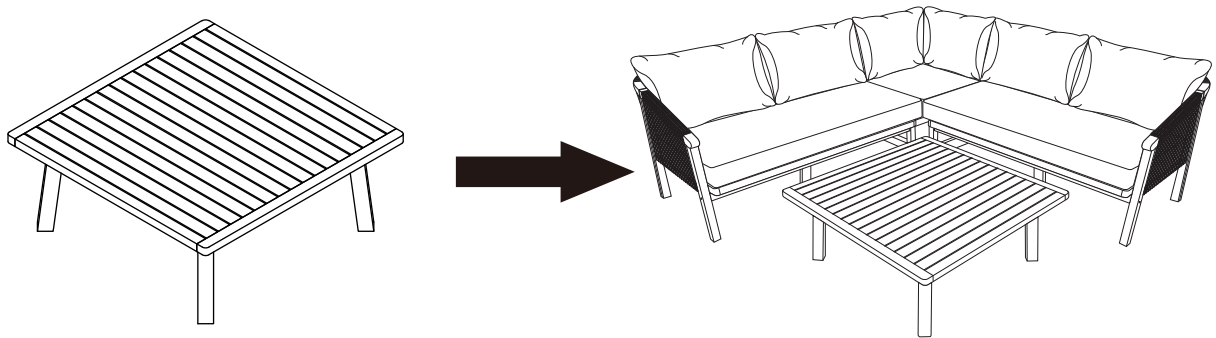


Assembly Instructions



Product size:
W90*D90*H36 CM (COFFEE TABLE)
W79.2*D79.2*H70 CM (CORNER SOFA)

For Coffee Table



**Furniture should be covered/stored whilst not in use
to prolong its longevity.**

(It should also be covered in adverse weather.)

This product is for domestic use only.

**IMPORTANT, PLEASE RETAIN FOR FUTURE REFERENCE
READ CAREFULLY**

Before you start



Warnings

IMPORTANT, RETAIN FOR FUTURE REFERENCE READ CAREFULLY

See enclosed instructions for assembly, safety and care information.

Failure to follow the warnings could result in serious injury.

Handle heavy parts with care.

Ensure that this product is fully assembled as illustrated before use.

This product should only be used on firm, level ground.

The product contains small parts which could pose a risk to young children. Keep small parts out of reach of children.

Do not stand or climb onto this product.

This product is intended for **domestic use** only.

Ensure the product is always placed on level ground.

Furniture can be dangerous if incorrectly used. No liability will be accepted for damage or injury caused by incorrect use of this product.

Take care when opening and folding furniture. Keep your hands away from moving parts in order to prevent trapping your fingers. Children should not open or close the furniture.



Dos

When you are ready to start, make sure that you have the right tools, plenty of space and a clean, dry area for assembly.

Unwrap all packaging materials and place the components on suitable surface to prevent scratching your product.

Check the pack and make sure you have all of the parts listed. In the event of problems or missing parts, please contact the seller.

Check all screws and bolts are tightened and inspect regularly.

During severe weather conditions, including high winds, rain, hail, thunderstorms, extreme heat and cold temperatures, the product should be stored inside in a cool, dry place.

To best preserve this product, please use a protective cover when your furniture is not in use. We would also recommend using a gazebo or parasol over your furniture during the summer period and prolonged sunny spells. This will help prevent harmful UV rays from damaging and discolouring the material.

Timber is a natural product and contains coloured resins which may initially bleed out of the timber when its gets wet. Therefore we recommend that care is taken to protect patios and decking from possible staining where the product comes into contact with the ground. The furniture will stabilise in its environment after the first few times it gets wet.

Wood is a natural material whose appearance will deteriorate when left outside. This product has been treated with a PU surface coating to protect it from premature darkening, or splitting, when exposed to the weather. Scuffs to the finish should be maintained regularly using the touch up liquid provided to ensure that the furniture continues to look at its best, light sanding in the affected area only may be required before use of the touch up liquid. Should you choose not to treat your furniture, then colour distortions and cracks may develop over time.

Clean your product with a sponge and warm soapy water then wipe with a clean, dry cloth.

Ensure that the product is clean and dry before storage.

Where instructions as to the; storage, commissioning, installation, use and maintenance of the goods or (if there is none) good trade practice are not followed and a defect arises this will void the 12 month manufacturer's guarantee on the product.

X Don'ts

Do not use scourers, abrasives, washing powders, chemical cleaners or any other substances containing abrasives since these substances can damage the product.

To preserve the product do not place greasy / oily items directly onto the wooden surface.

Do not place very hot or very cold items on the wooden surface unless adequately thick place-mats are used to prevent such items from coming into contact with the wood.

Do not strike the product with hard or pointed items.

Do not sit or lean on the arms of this product.

Do not use power tools to construct this product.

Do not tighten screws until fully assembled.

Do not overtighten screws or bolts.

Do not use this product if parts are missing, damaged or worn.

Do not place furniture near the outdoor exhaust vents.

Do not write on furniture without a padded barrier to protect the surface.

Do not stand or climb onto the product and do not use it as a ladder, as this could lead to it unbalancing and overturning.

Never tilt the product during use.

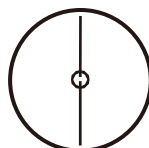
Never drag furniture when moving it, always lift it.

Number of people required for assembly

Two people

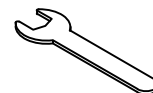


Time to assemble

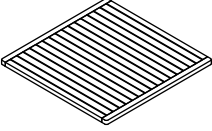
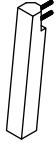
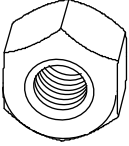

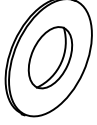
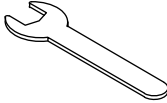


30 minutes

Tools required



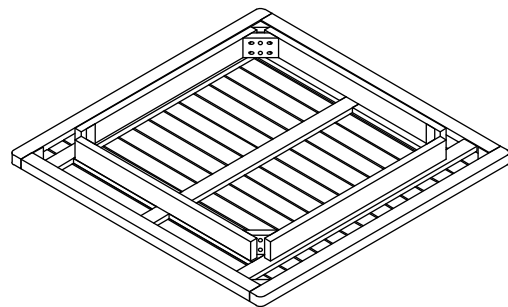
Components, fixtures & fittings (not actual size)

Coffee Table Parts List					
Part No.	Diagram	Qty.	Part No.	Diagram	Qty.
A	 Table Top	1 PC	B	 Table Leg	4 PCS
N3	 Nut	8 PCS	SW	 Spring Washer	8 PCS
FW	 Flat Washer	8 PCS	S1	 Spanner	1 PC

Step by step assembly instructions

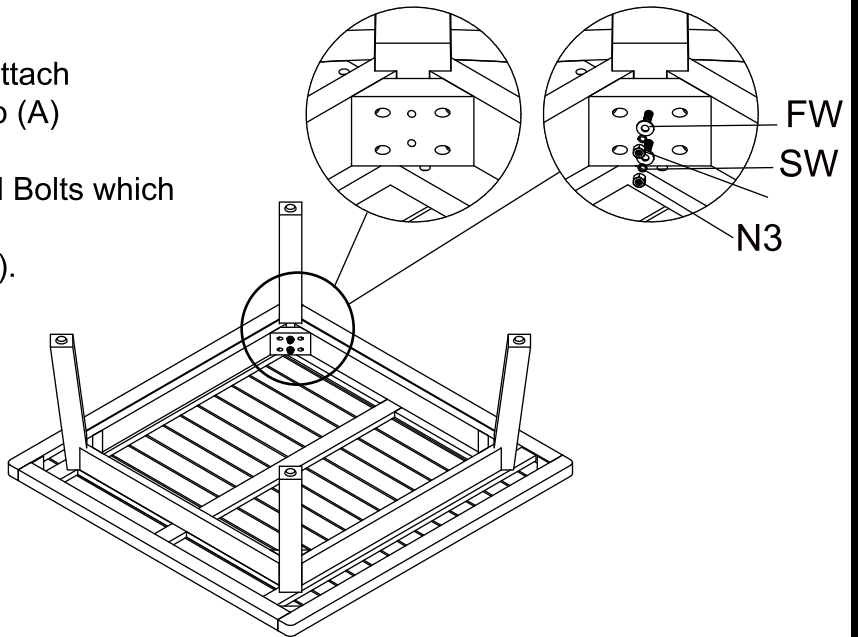
Step One

With the help of another person, open the cartons, place the Table Top (A) upside down on a flat, non-abrasive and soft platform to avoid scratching the table surface or rim.



Step Two

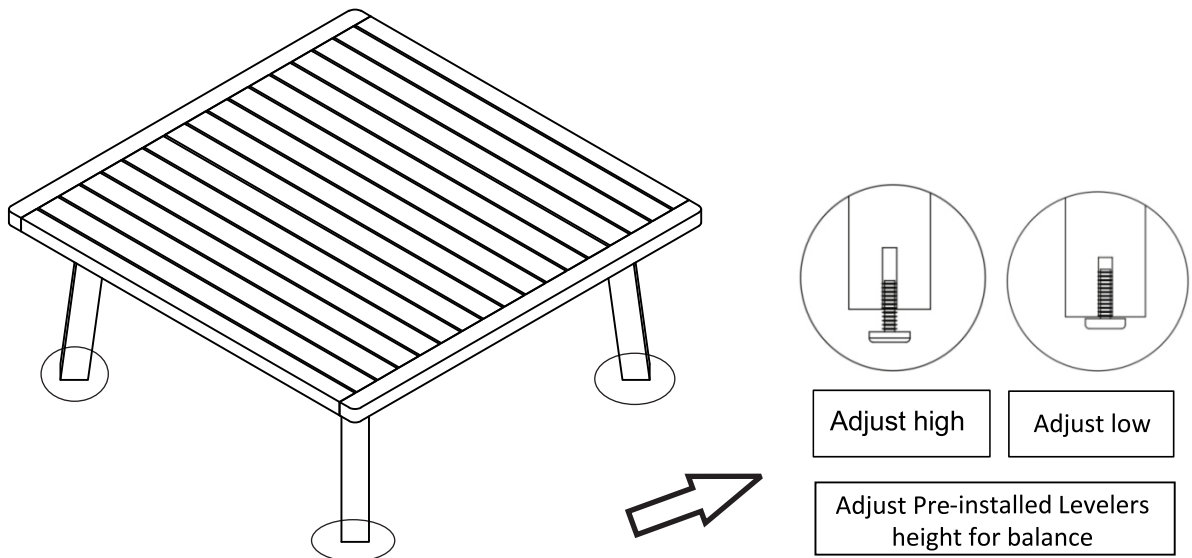
With the help of another person, attach the Table Leg (B) to the Table Top (A) using Spring Washers (SW), Flat Washers (FW), Nuts (N3) and Bolts which are pre-fitted on the Table Legs. Tighten all bolts with Spanner (S1). Do Not Over Tighten.



Step Three

With the help of another person, stand the Table, level the table with Adjustable Feet Screws under Table Legs.

Your Coffee Table is now ready for use.



PLEASE KEEP THESE INSTRUCTIONS FOR FUTURE REFERENCE