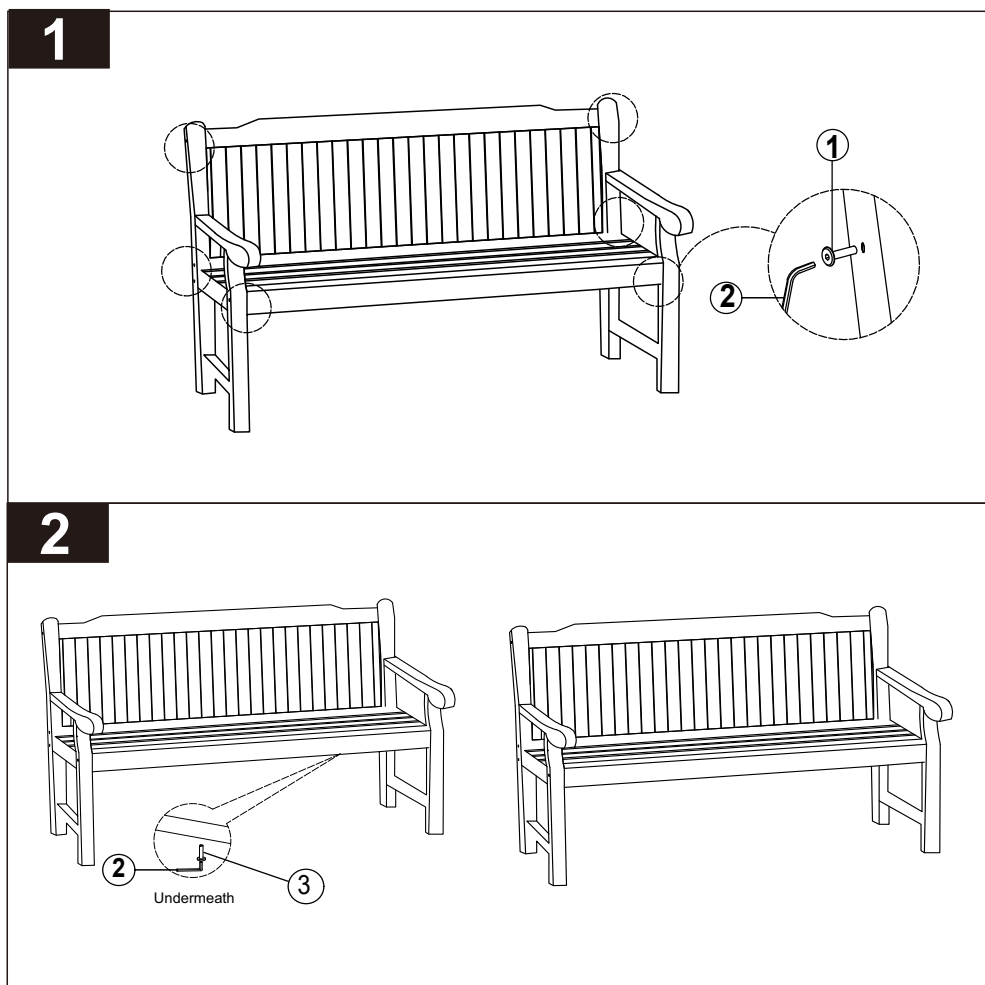


## ASSEMBLY INSTRUCTION KINGBURY BENCH




Please retain this information with your proof of purchase for future reference

We recommend reading through the instructions first before you start.

- 1** 2 persons to assemble the unit and lift into position
- 2** Un-wrap all the components and fittings and place on a clean surface to protect them from damage, you can use the packaging for this purpose.
- 3** Check that you have all the parts (see Parts List below) before you start.
- 4** Please keep the assembly tools (2). You will need these to check and re-tighten the bolts, or if you want to dismantle your furniture to store away.
- 5** Place the parts on a flat surface with cardboard underneath to prevent any scratching on the surface.
- 6** The parts are designed to be a tight fit so a rubber mallet or soft hammer may be required to assemble the bench. We recommend using a piece of cardboard where you strike the bench to avoid any damage to the timber.
- 7** Please make sure the pre drilled holes are free of any loose timber shavings or sawdust before starting to assemble
- 8** During storage and delivery the bench may have been exposed to damp conditions and the timber may appear to have mold on the surface, this can easily be removed with a damp cloth
- 9** Hand tighten screws during assembly. Once assembly is complete go back and tighten all screws securely. It is also recommended that all screws are checked periodically and tightened if required.



## Parts List

1	JCBC M6 X 50 mm		6 Pcs
2	Allen Key 40 mm		1 Pc
3	JCBC M6 X 40 mm		2Pcs

### Warning :

- Please do not stand on your chairs, sofas, tables or stools
- Do not sit on the arms of your furniture.
- When moving your furniture, do not drag the components, as this can cause damage to the joints.

Norfolk Collection furniture products carry a 2 Year Limited Warranty against manufacturing faults. If you should need to make a claim, please contact your stockist in the first instance with your proof of purchase and details of your claim.

