





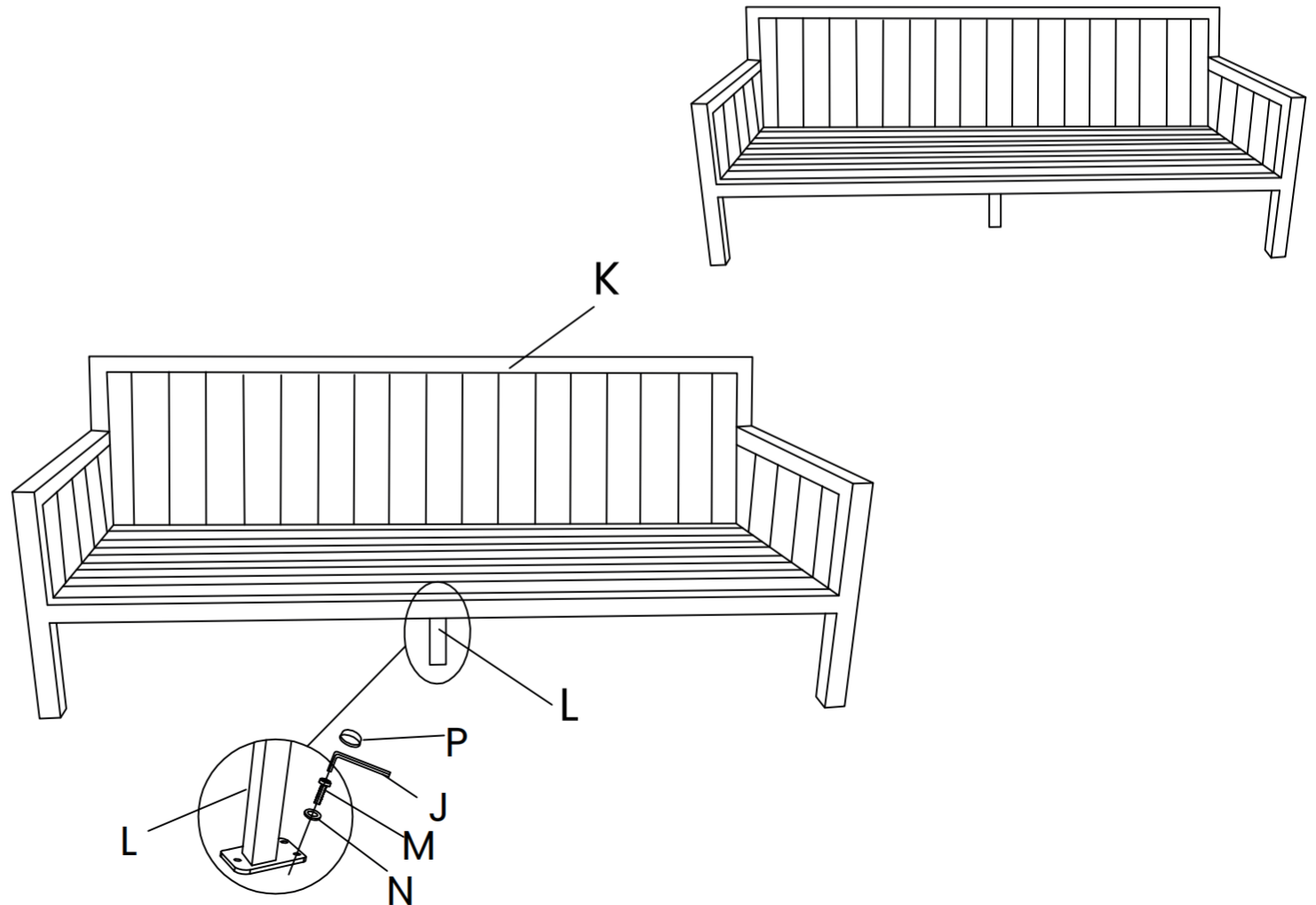


Please retain this information with your proof of purchase for future reference

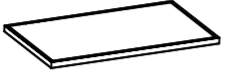

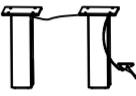







- We recommend reading through the instructions first before you start.
- Un-wrap all the components and fittings and place on a clean surface to protect them from damage, you can use the packaging for this purpose.
- Check that you have all the parts (see Parts List) before you start.
- Please keep the assembly tools (J Parts List). You will need these to check and re-tighten the bolts, or if you want to dismantle your furniture to store away.
- 2 persons to assemble the unit and lift into position.

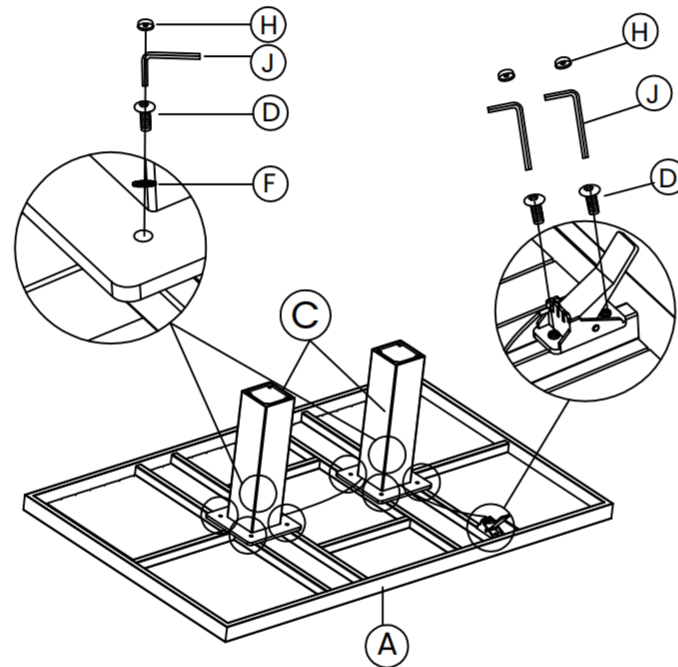
Part List: (for 3 seater sofa)

K		X1
L		X1
M	 M6*15	X3
N		X3
J		X1
P		X3

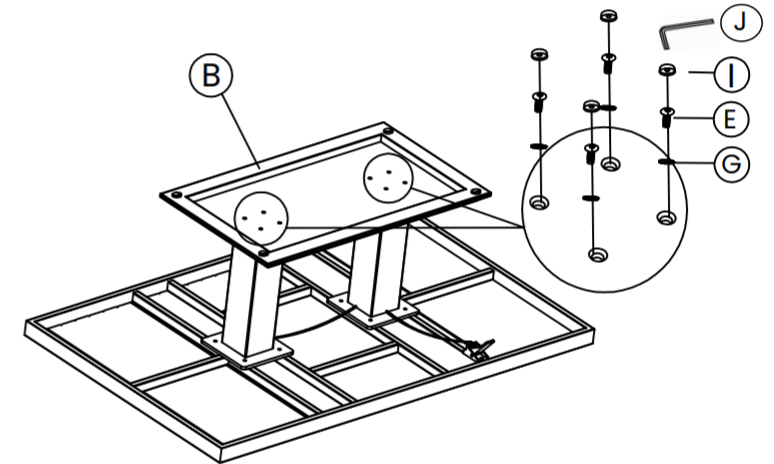


Part List: (for table)

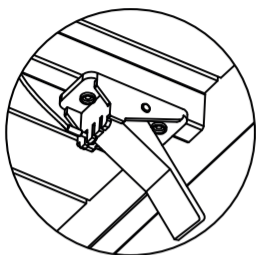
A		1x
B		1x
C		1x
D	 M6*20	10x
E	 M8*35	8x
F	 M6	8x
G	 M8	8x
H	 M6	10x
I	 M8	8x
J		1x



1



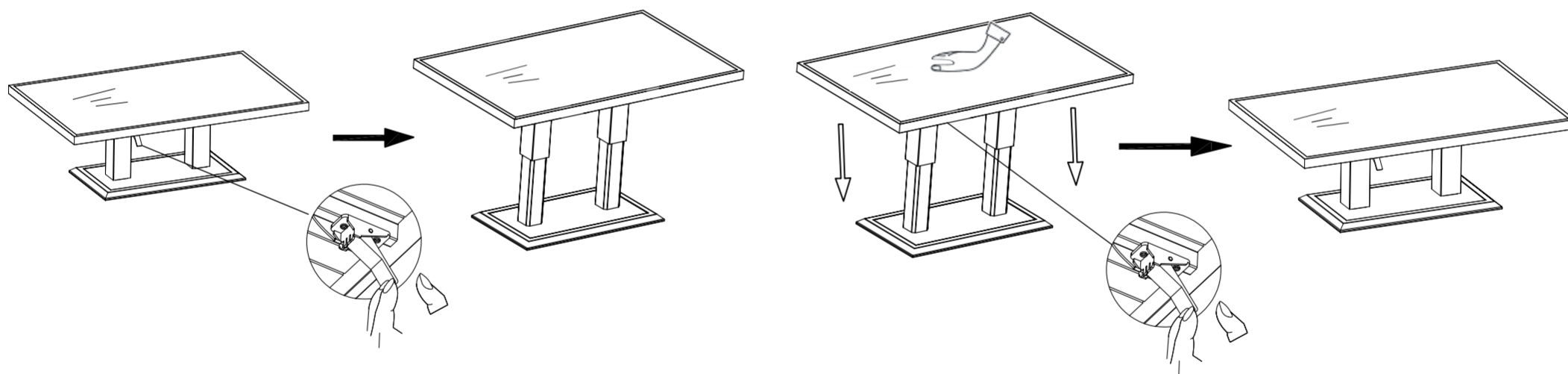
2



lever under table top

**Important:**

- \*Please remove all items from the tabletop before lifting.
- \*To raise the tabletop, press the lever until the required height is reached, then release.
- \*To lower the table, press the lever and push down in the centre of the tabletop until the required height is achieved, release the lever.



**Warning:**

- Please do not stand on your chairs, sofas, tables or stools
- Do not sit on the arms of your furniture.
- When moving your furniture, do not drag the components, as this can cause damage to the joints.

Should you require any replacement parts please complete our Parts Request Form at:  
<https://www.norfolkleisurelifestyle.com/contact-us>

Do you have a question about your  
Norfolk Collection furniture?  
Scan the QR code to find out more.

