



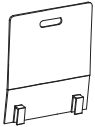
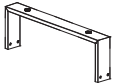
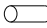

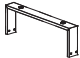


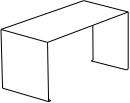


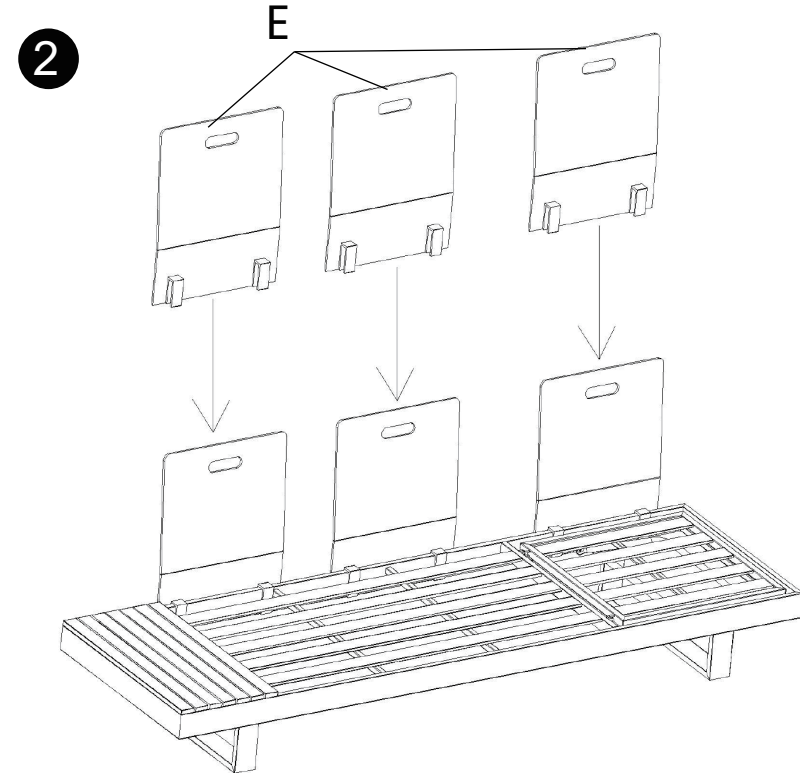
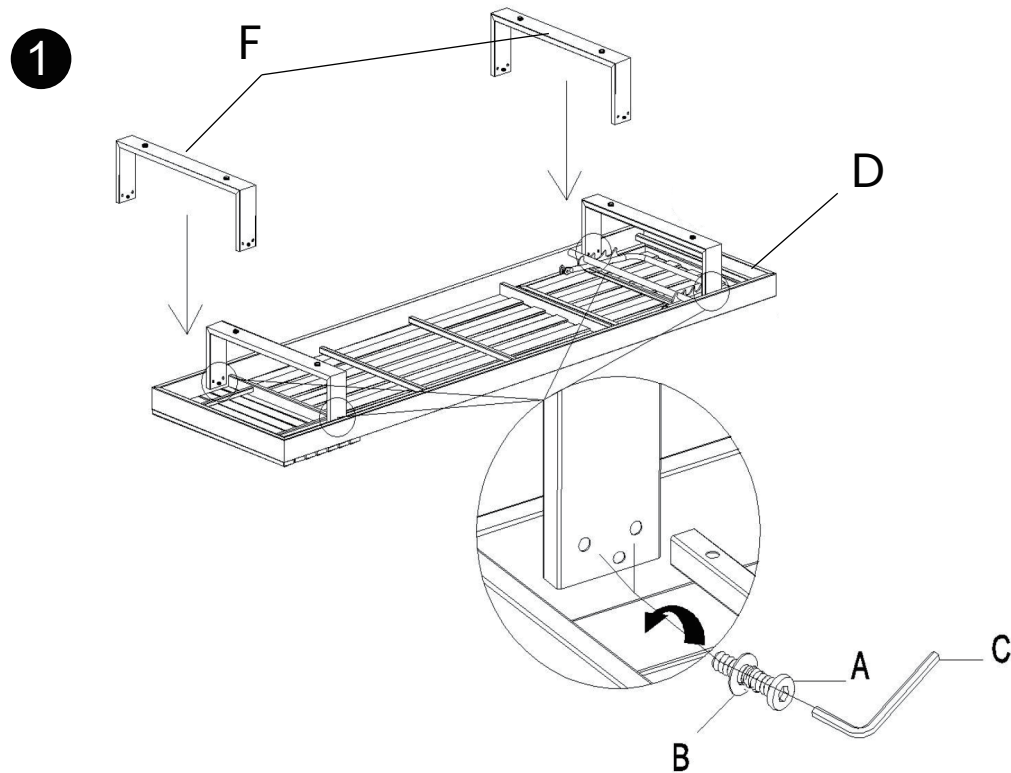
Easton Large Corner Set With Sun Recliner

Please retain this information with your proof of purchase for future reference

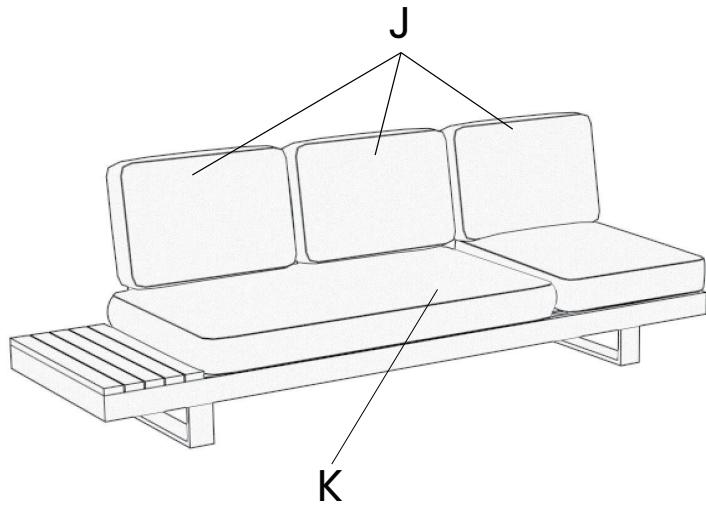
- We recommend reading through the instructions first before you start.
- Un-wrap all the components and fittings and place on a clean surface to protect them from damage, you can use the packaging for this purpose.
- Check that you have all the parts (see Parts List) before you start.
- Please keep the assembly tools (C Part List). You will need these to check and re-tighten the bolts, or if you want to dismantle your furniture to store away.
- 2 persons to assemble the unit and lift into position.

Part List:

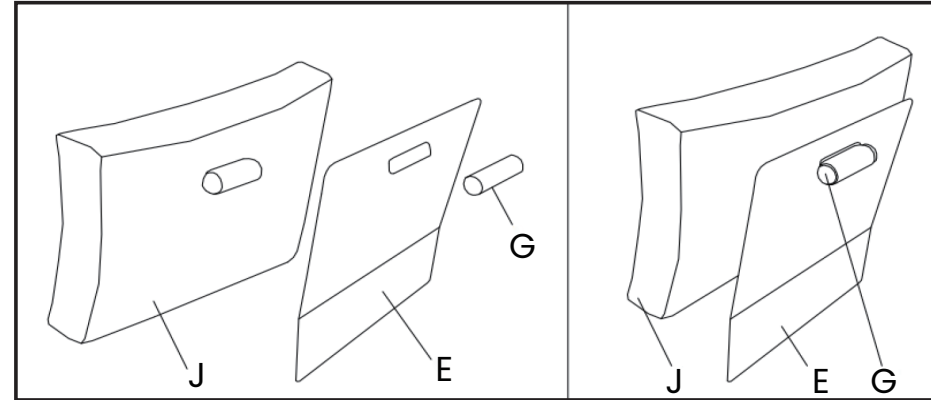
A	B	C	D	E	F	G	H	I	J	K	L
 M6*35	 M6										
36 pcs	36 pcs	1pc	2pcs	6pcs	4pcs	6pcs	1pc	2pcs	6pcs	2pcs	1pc



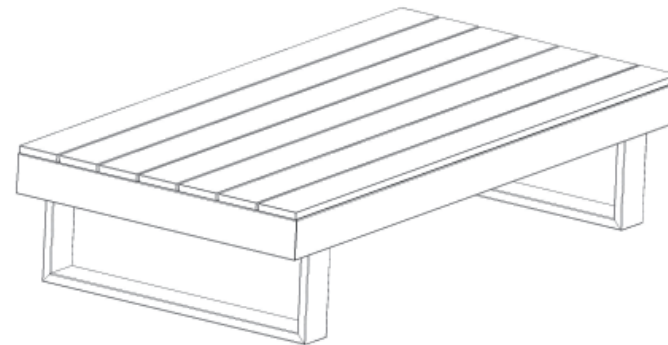
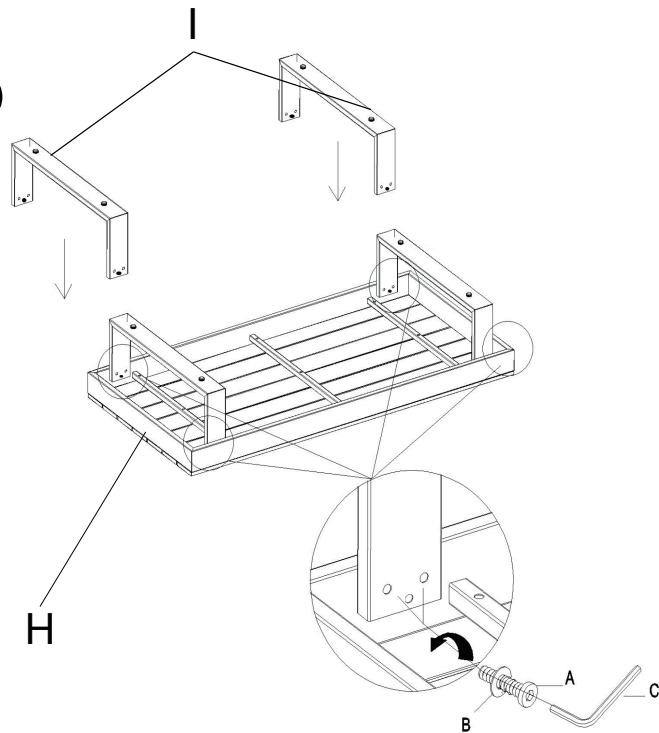
3

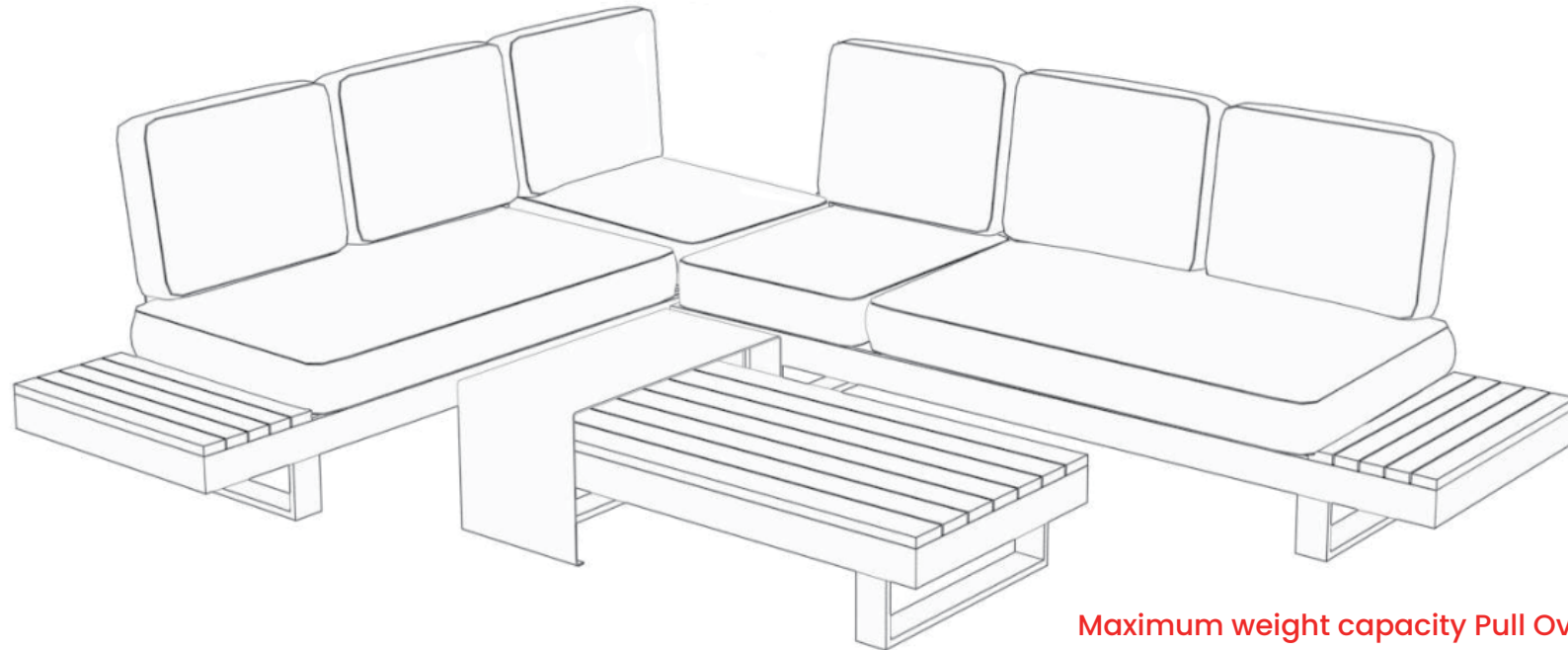


FIX EACH BACK CUSHION:



4





Maximum weight capacity per seat 110kg

Maximum weight capacity Pull Over Table 20kg

Warning:

- Please do not stand on your chairs, sofas, tables or stools
- Do not sit on the arms of your furniture.
- When moving your furniture, do not drag the components, as this can cause damage to the joints.

Should you require any replacement parts please complete our Parts Request Form at:
<https://www.norfolkleisurelifestyle.com/contact-us>

Hot items such as pans, candles or hot drinks should not be left on polywood surfaces.
Do not leave glasses on the surface in the hot sun. Due to its "magnifying glass" effect it can damage the polywood by burning into the material.
The use of place mats are advised.



Do you have a question about your Norfolk Collection furniture?
Scan the QR code to find out more.

