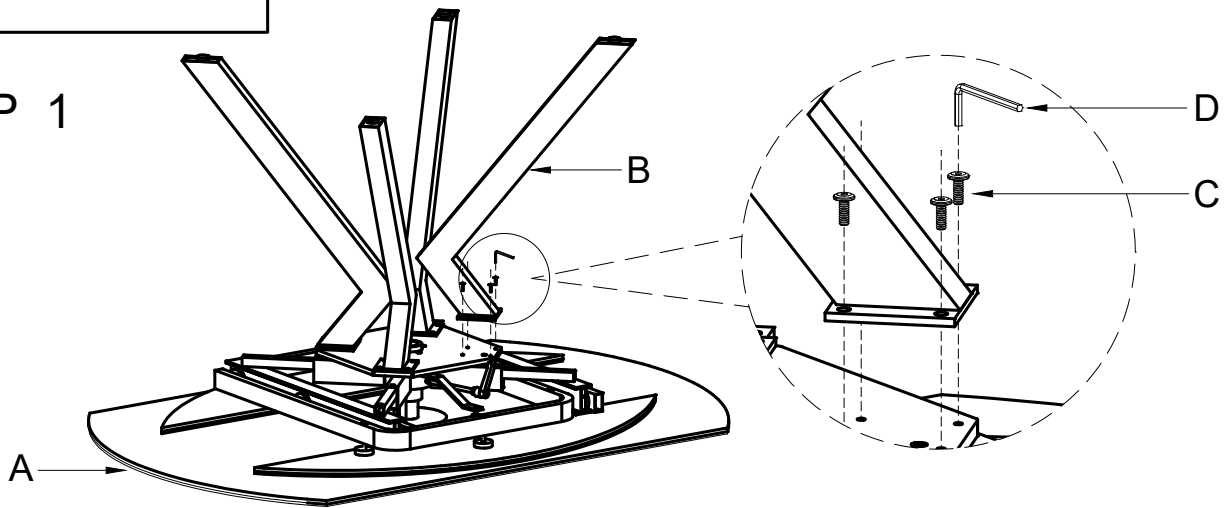
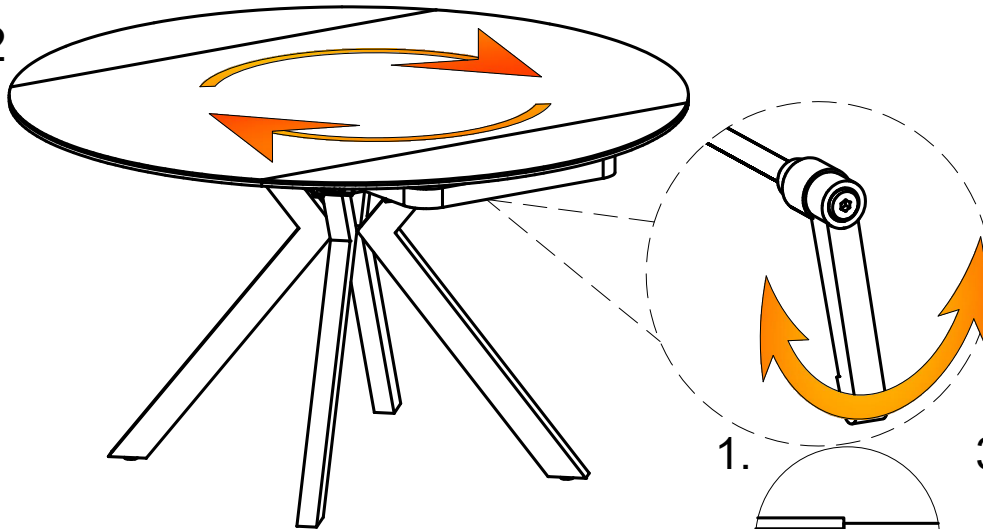


STEP 1

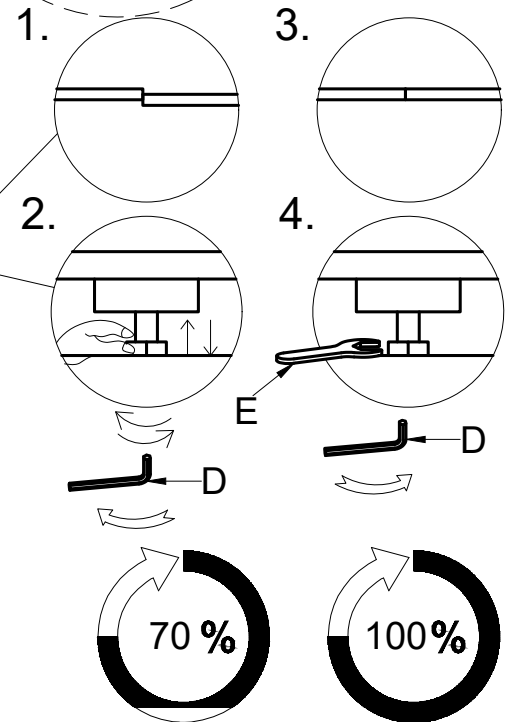


STEP 2



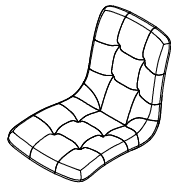
IN CASE THE GLASS IS NOT LEVELLED, ADJUST THE SMALL GLASS AS FOLLOWS.

FINISH

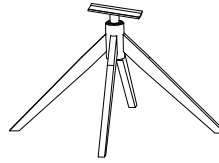


A	B	C	D	E
1PC	4PCS	M6*15 16PCS	4MM 1PC	#14 1PC

LIMA DINING CHAIR ASSEMBLY INSTRUCTION



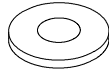
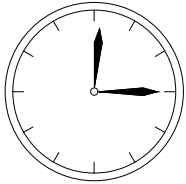
①×1



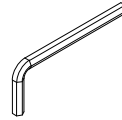
②×1



③×4
M6×20mm



④×4
∅18×∅6mm



⑤×1
4#

