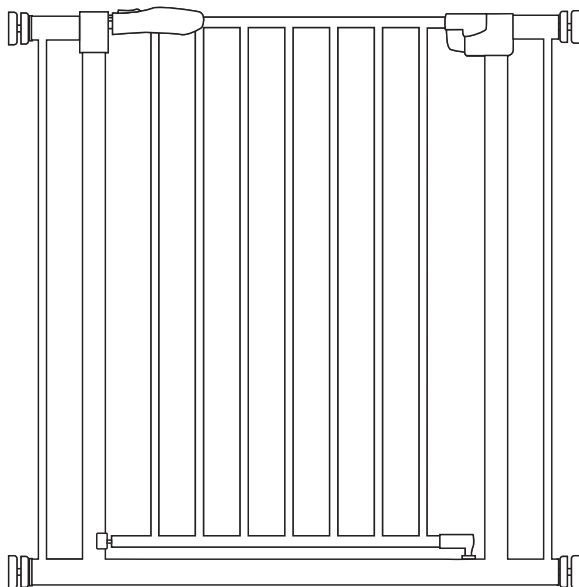


OPEN N STOP 2



WARNING

- » To avoid danger of death or serious injury never stack one barrier above another in an opening
- » Incorrect installation can be dangerous.
- » Do not use the safety barrier if any components are damaged or missing.
- » The safety barrier must not be fitted across windows.
- » Never use without wall cups.
- » If the safety barrier is used at the bottom of the stairs, it should be positioned at the front of the lowest tread possible.

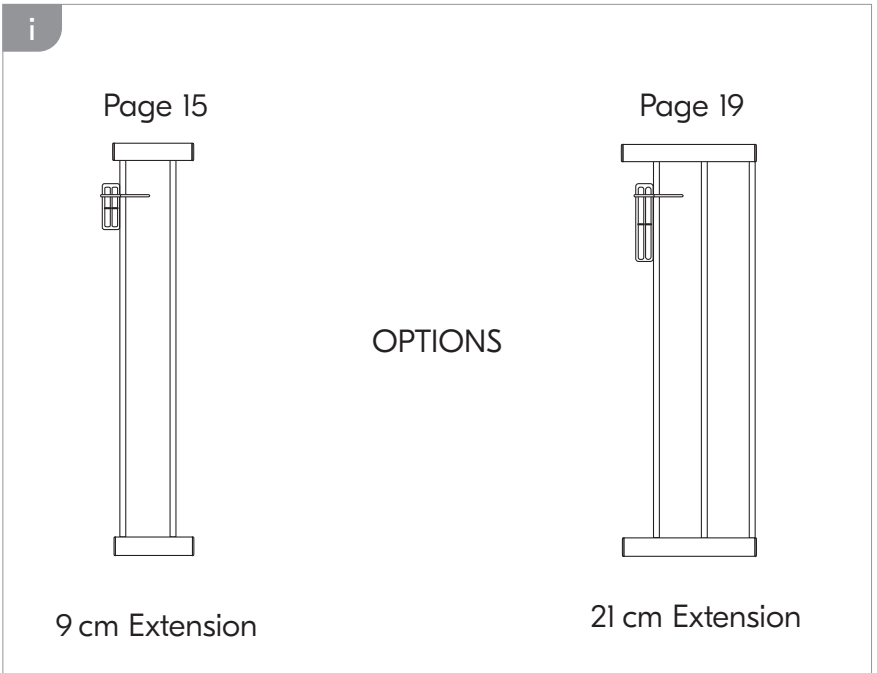
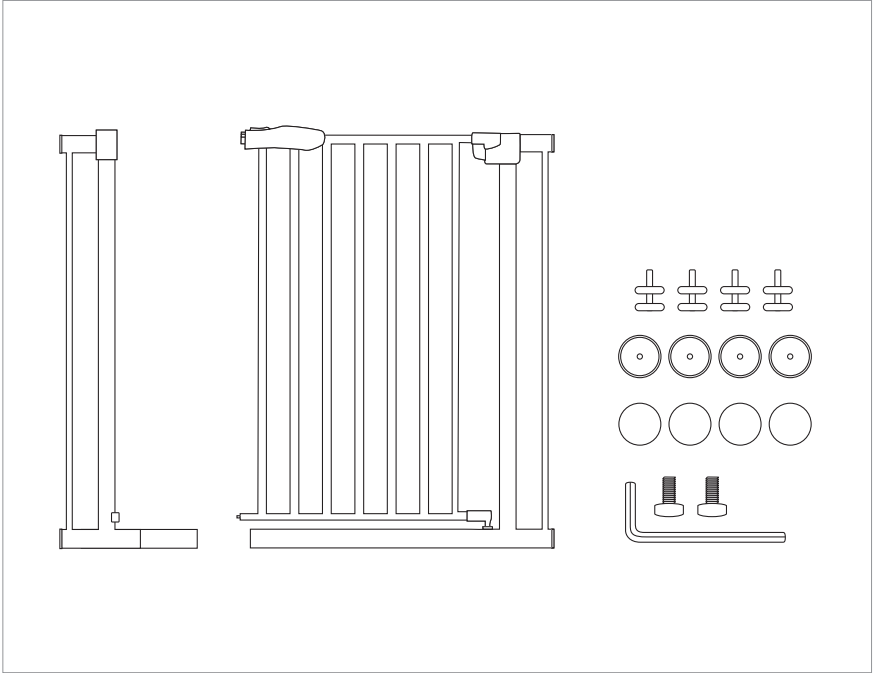
IMPORTANT INFORMATION

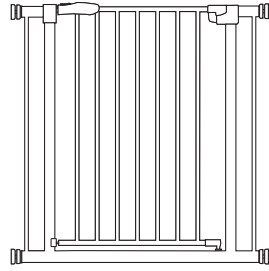
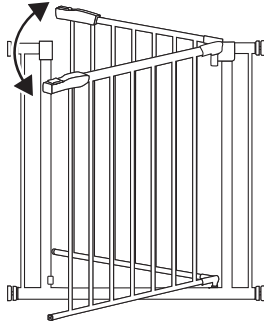
- » This safety barrier is suitable for domestic use only.
- » This safety barrier has been designed for use with children up to 24 months of age.
- » If the safety barrier is used at the top of the stairs, it should not be positioned below the top level.
- » This safety barrier can be mounted onto firm and inherently stable surfaces with provided fittings and this is also valid for provided extensions or extensions compatible with the product.
- » It can be dangerous for older children when using or climbing over the safety barrier.
- » This safety barrier should be checked regularly to ensure that it is secure and functioning in accordance with these instructions.
- » Additional or replacement parts should be obtained by hauck only.
- » Check that the safety barrier is always correctly closed.
- » This safety barrier has a manual closing system.
- » Assembly fittings should always be tightened properly.
- » The safety barrier conforms to EN 1930:2011.

CARE AND MAINTENANCE

- » Do not use any aggressive cleaning agents.
- » Clean the safety barrier with a damp cloth.
- » Please clean, maintain and check this product regularly.

EN	Instructions for use	BS	Upute za korištenje
DE	Gebrauchsanweisung	SR	Uputstvo za upotrebu
FR	Mode d'emploi	RO	Instrucțiuni de utilizare
ES	Manual de instrucciones	MK	Упатство за употреба
IT	Istruzioni per l'uso	BG	Инструкции за употреба
PT	Instruções de utilização	EL	Οδηγίες χρήσης
NL	Gebruiksaanwijzing	TR	Kullanım talimatları
DA	Vejledning til brugen	ET	Kasutusjuhend
FI	Käyttöohjeet	LV	Lietošanas instrukcija
SV	Användningsinstruktioner	LT	Naudojimo instrukcijos
NO	Bruksanvisninger	UK	Інструкція з експлуатації
PL	Instrukcja użytkowania	KA	გამოყენების ინსტრუქცია
CZ	Návod k použití	RU	Инструкции по эксплуатации
SK	Návod na použitie	AR	لإمعة سإلآ اءاءشرا
HU	Használati útmutató	CN	操作说明书
SL	Navodila za uporabo	ZH	操作說明書
HR	Upute za uporabu		

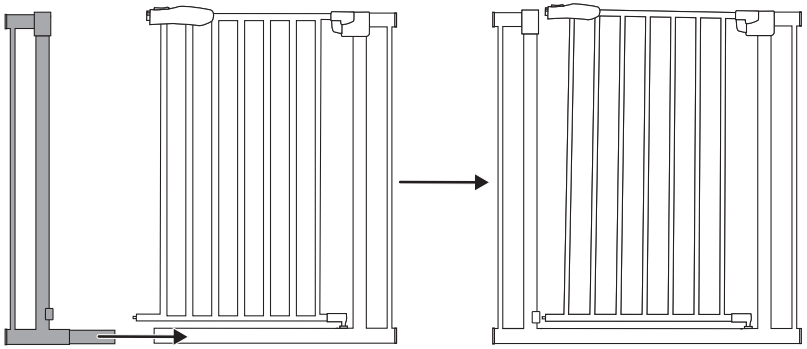




min. 0 - max. 24
months

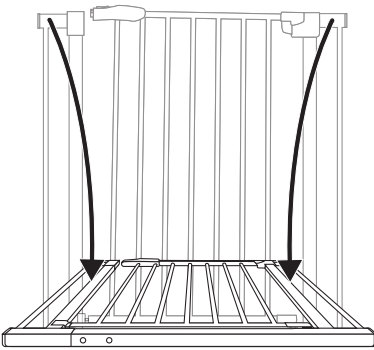


1

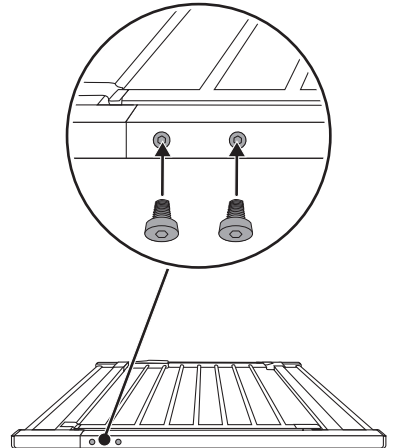


Attach the two frame pieces together by sliding the base of the smaller section into large section base then fix in place using the two small screws

2

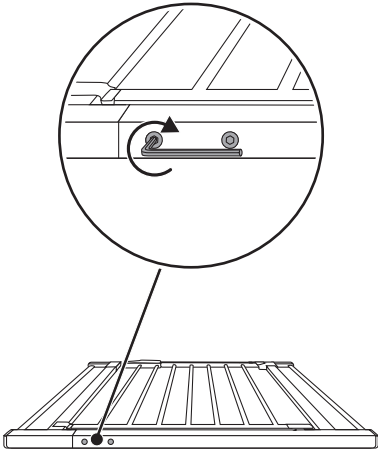


3

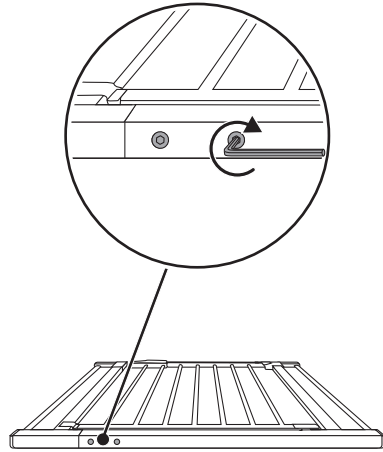




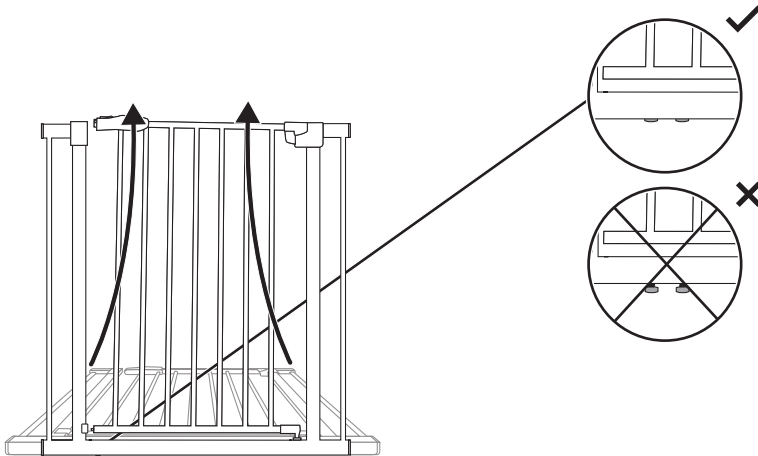
4



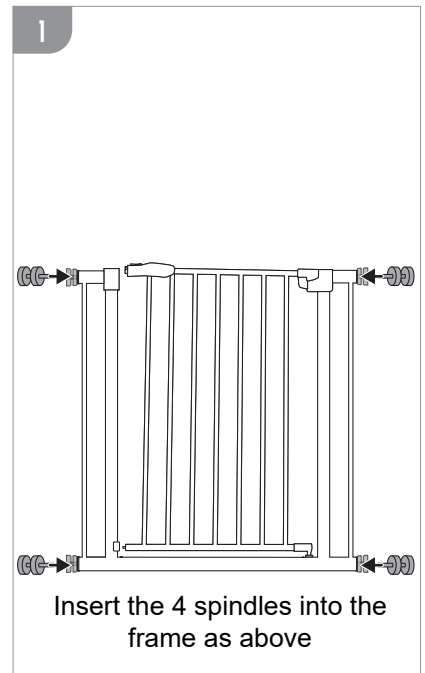
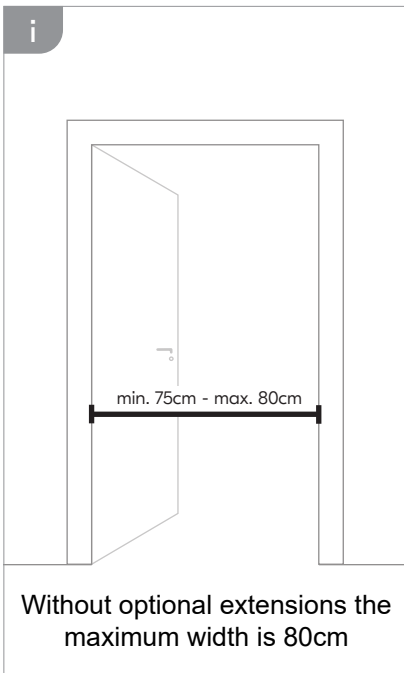
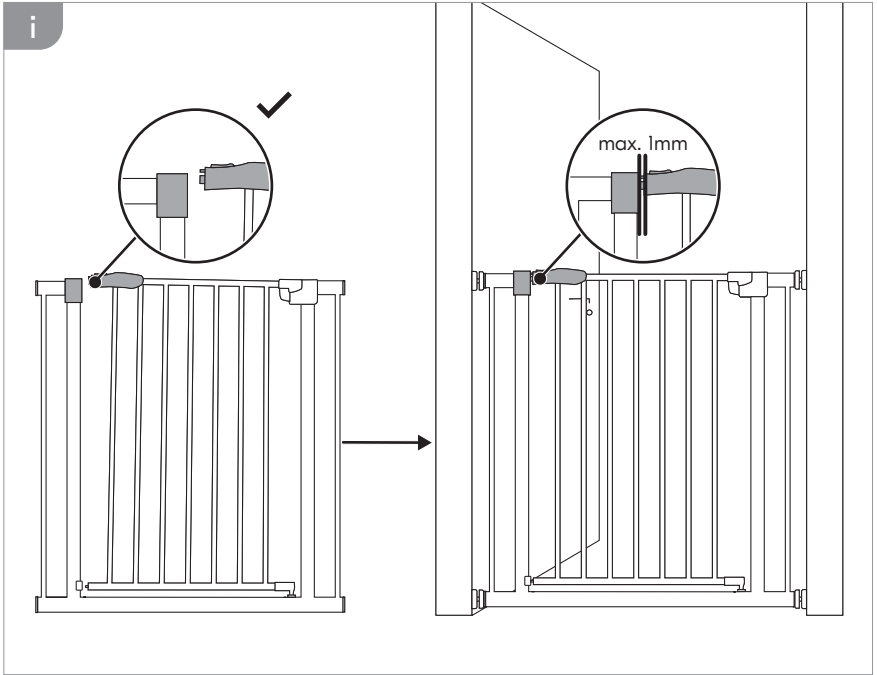
5



6



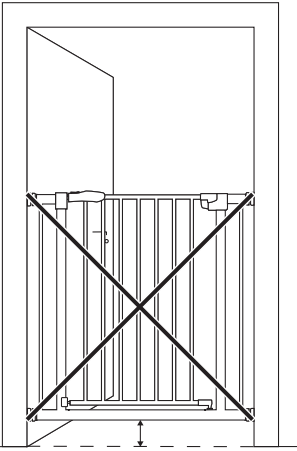
When you stand the gate up there will be a gap between the locking mechanism



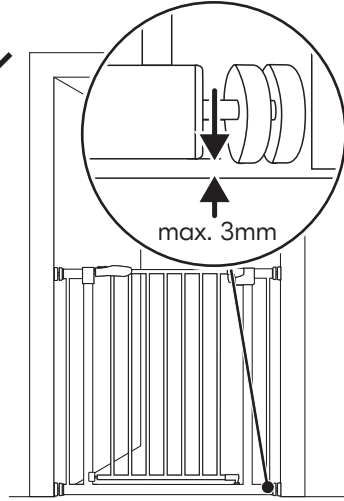


i

✗

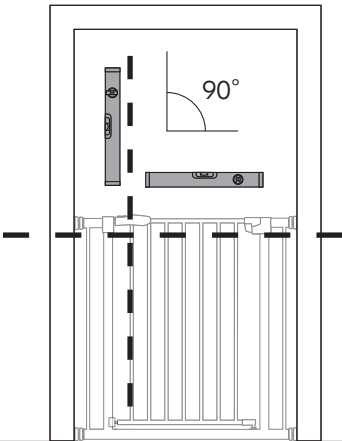


✓

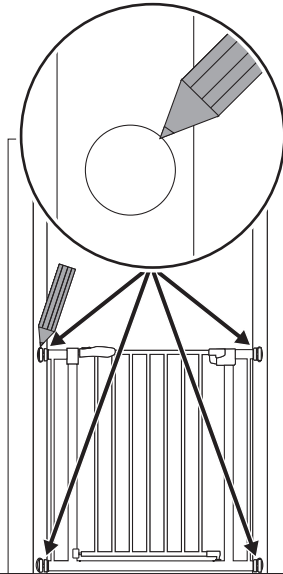


The base of the gate must be resting on the floor

2



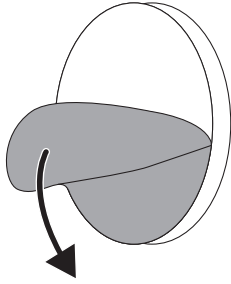
3



Mark Position for the Wall Cups

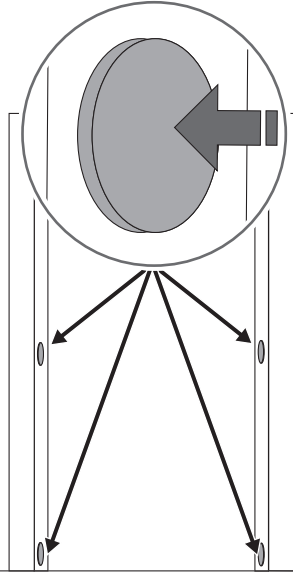


4

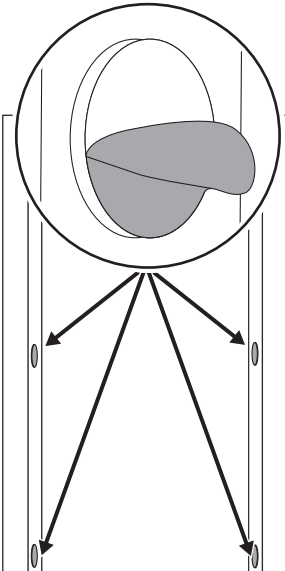


Peel and stick
wall cup in position

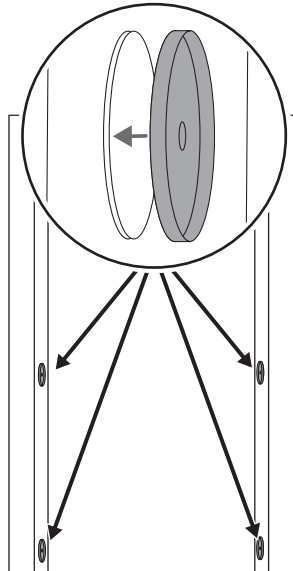
5



6



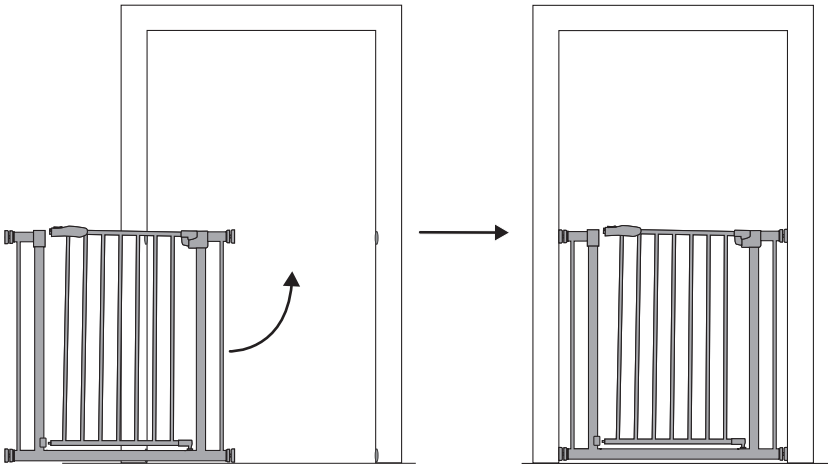
7



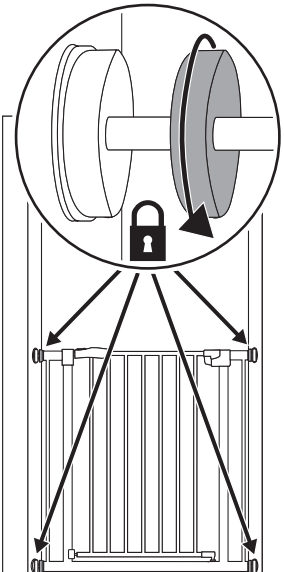


8

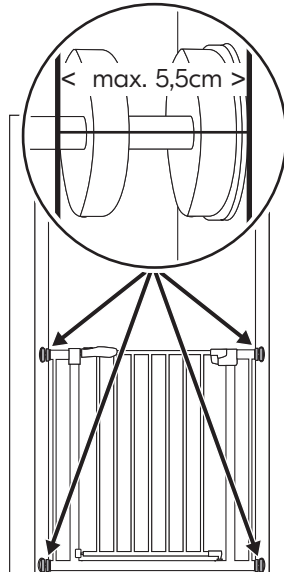
Place Gate in position and tighten each spindle by turning the inner wheel. (Image 9)



9



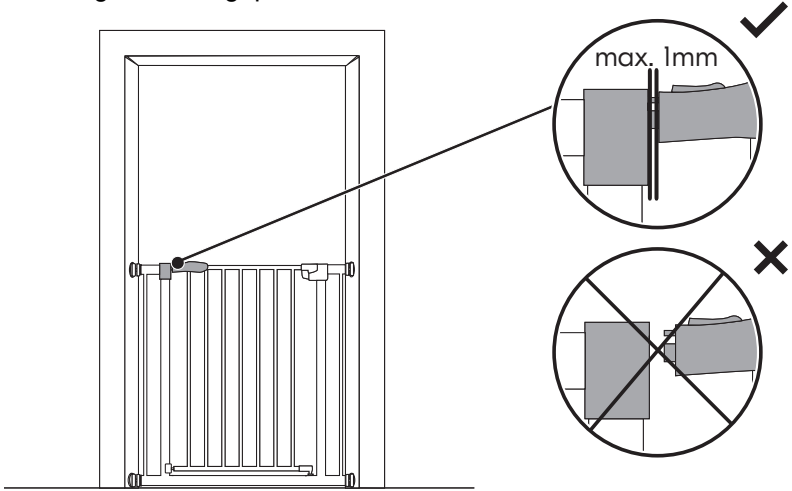
10





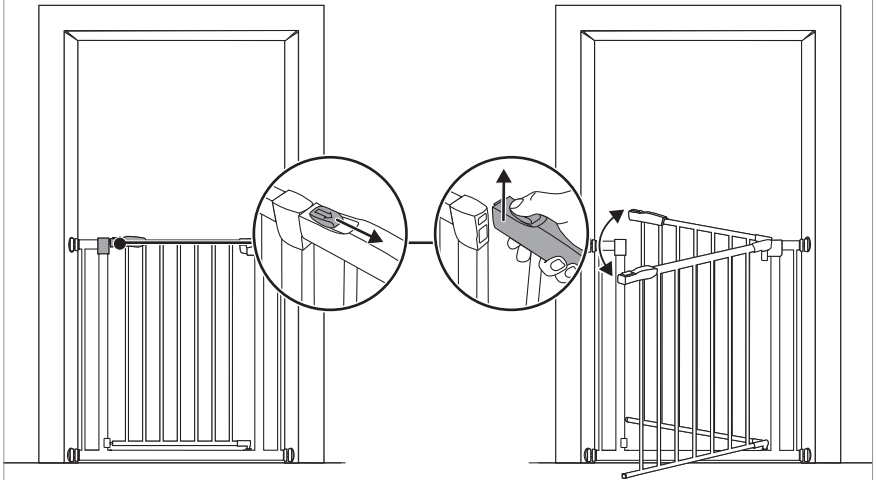
1

The gap will close as you tighten gate in position
Tighten until gap is a maximum of 1mm



2

To open gate, slide lock and then slightly lift the gate

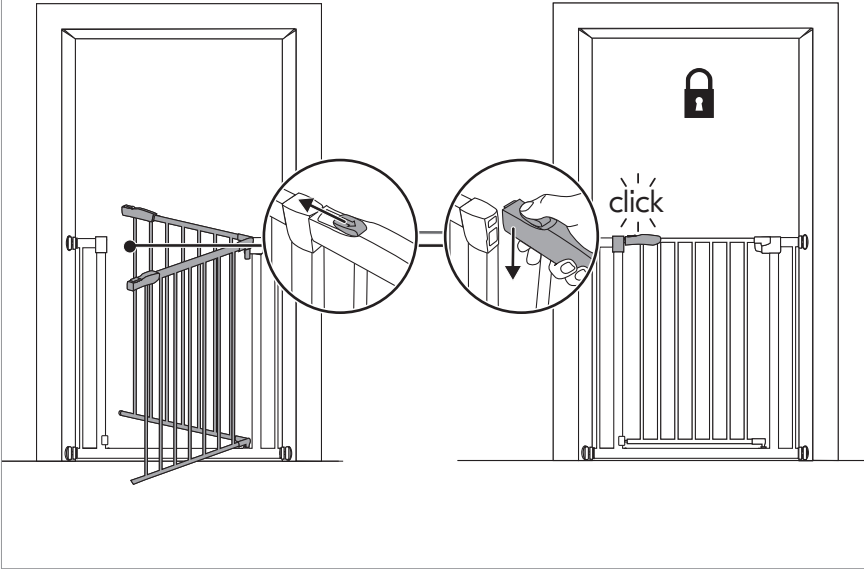




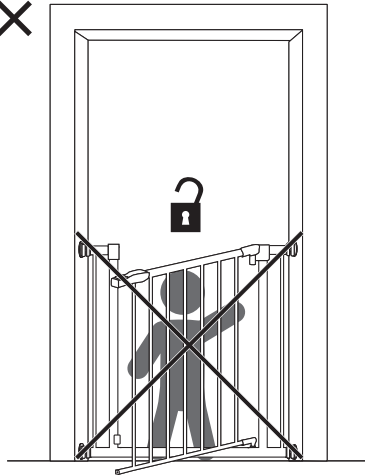
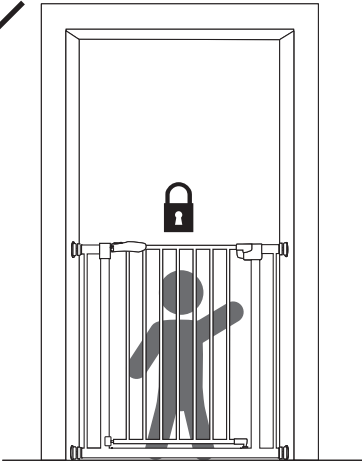
3

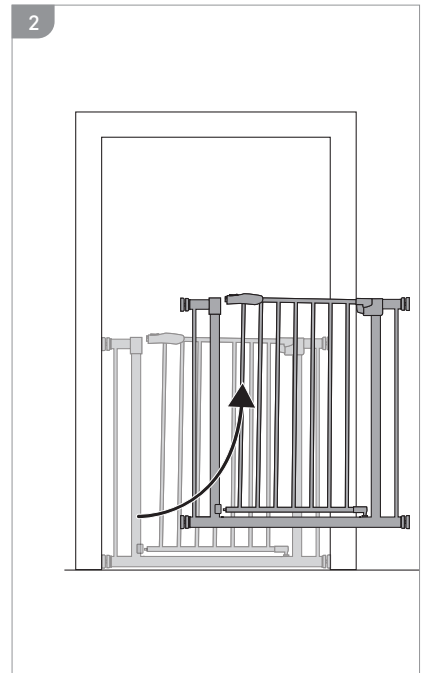
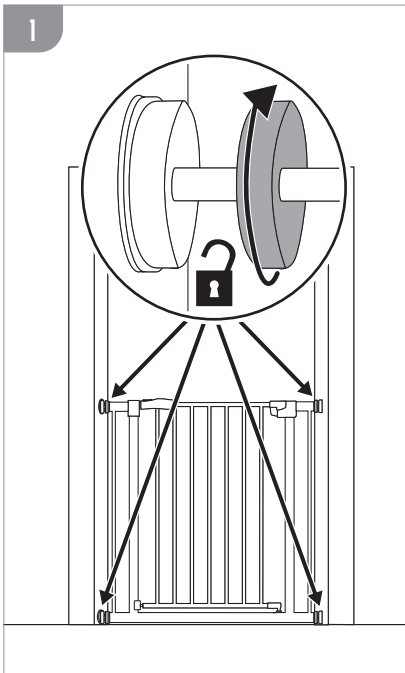
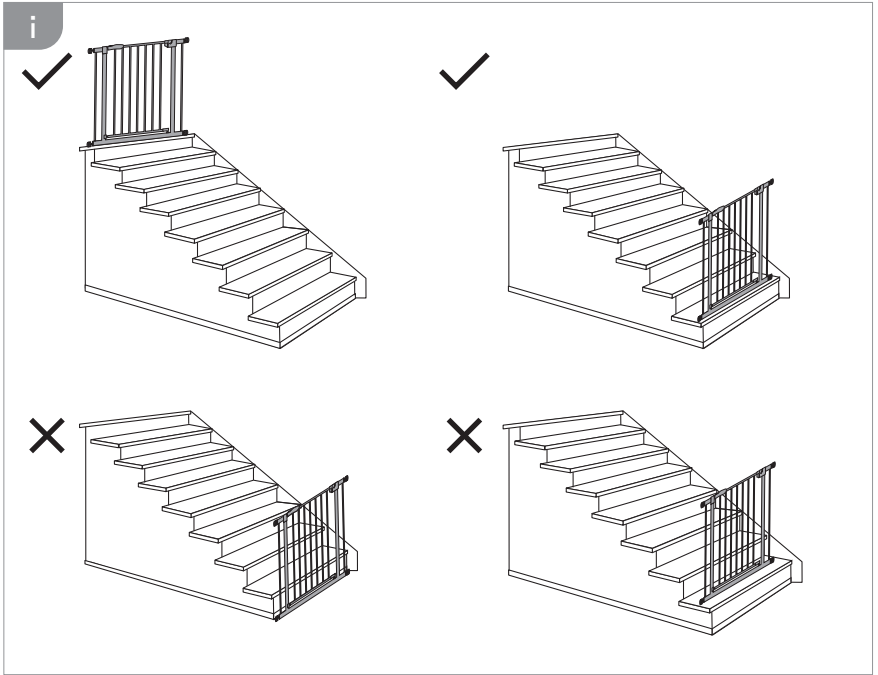
Gate will open in both directions.

Ensure gate is securely locked back in position when closing



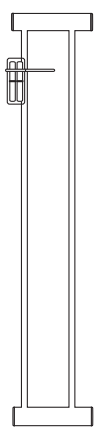
4





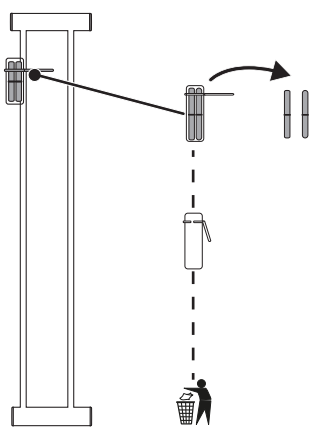
1

OPTION

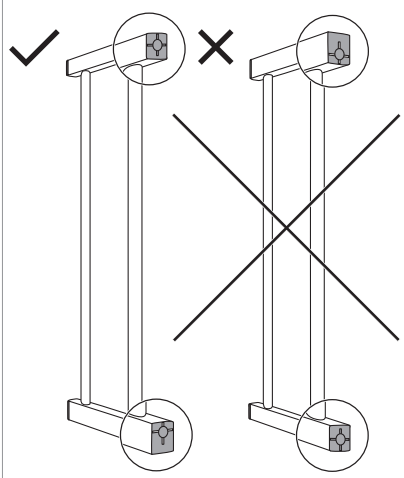


9cm Extension

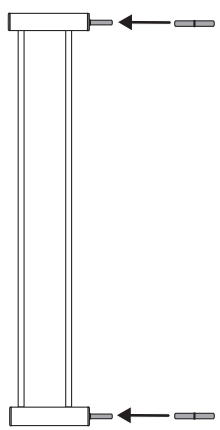
2



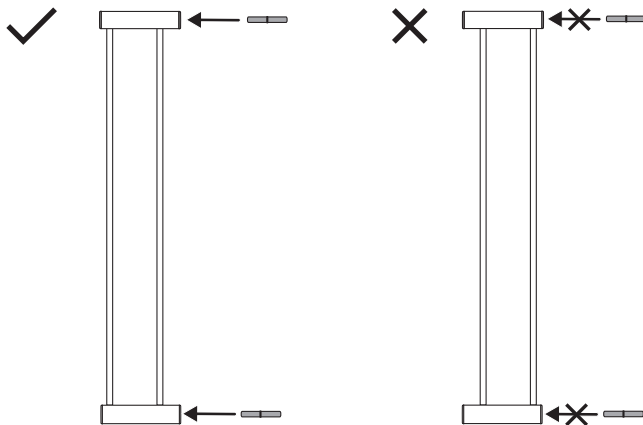
3



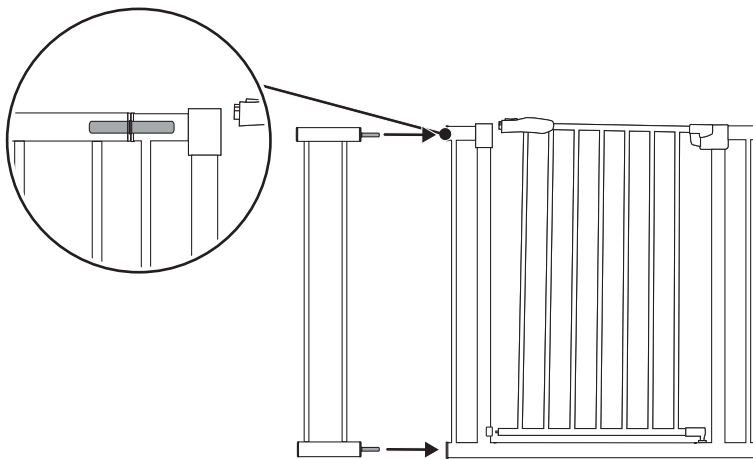
4



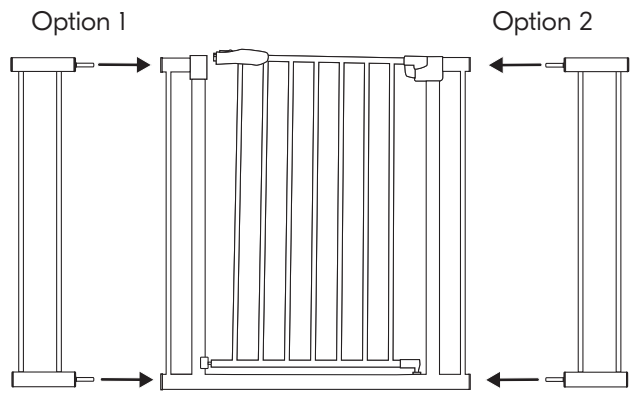
5



6



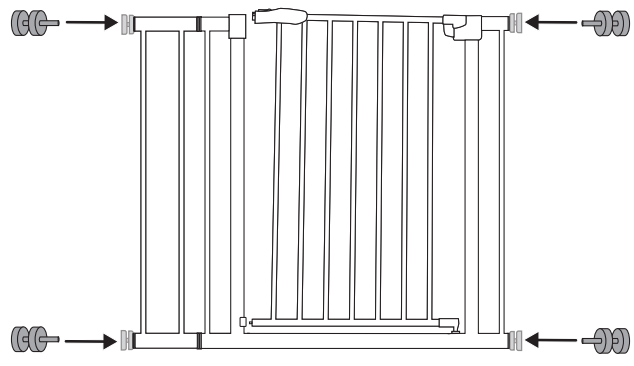
7

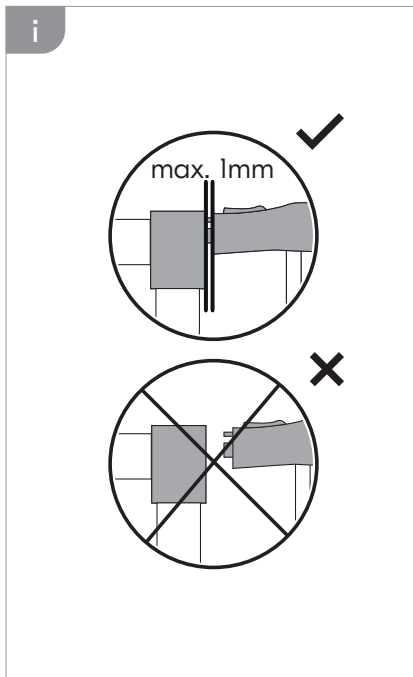
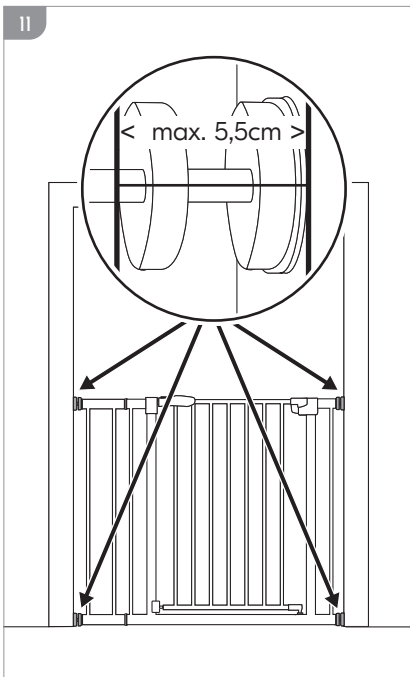
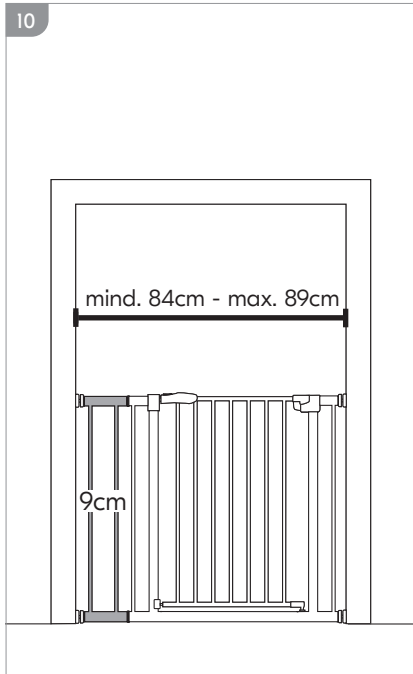
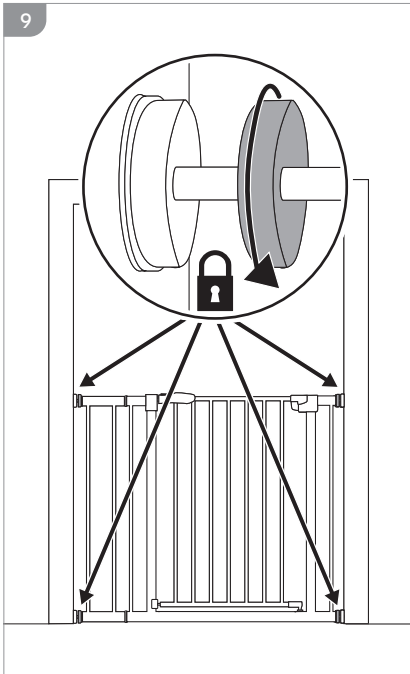


The optional extension pieces can be used on either side of the gate
For minimum or maximum widths please see page 24

When using 2 extensions place one on either side of gate only

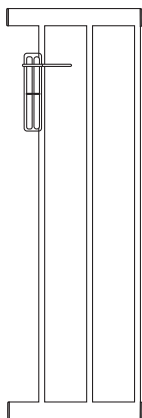
8





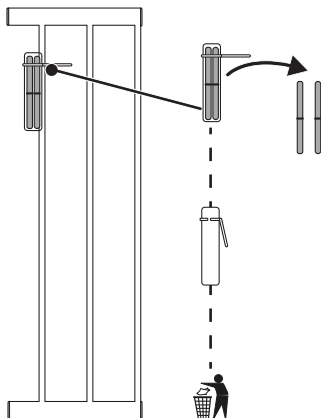
1

OPTION

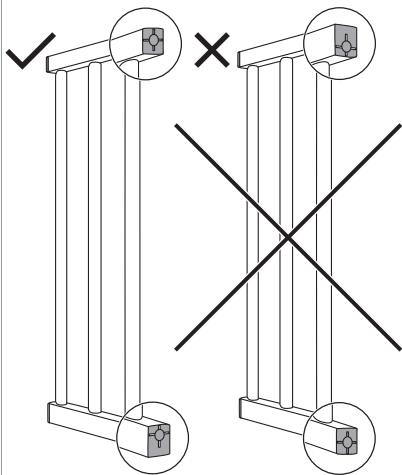


21cm Extension

2



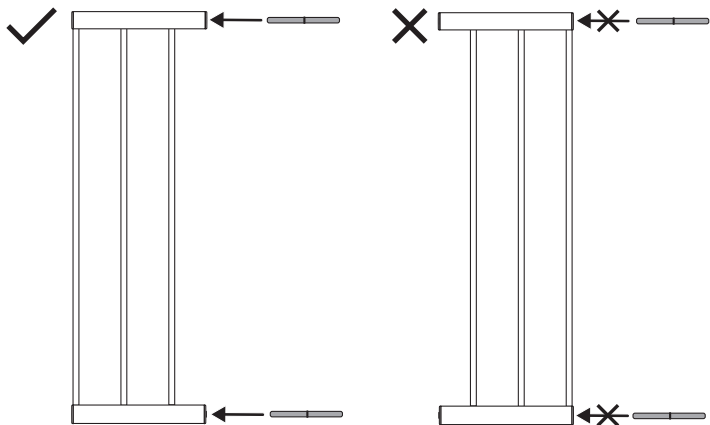
3



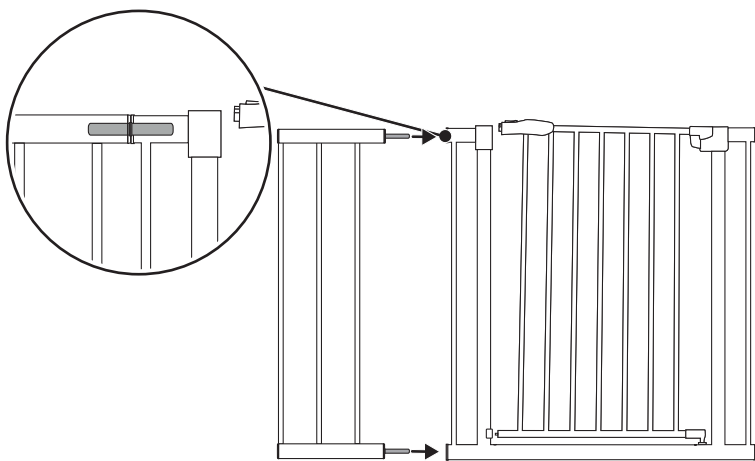
4



5



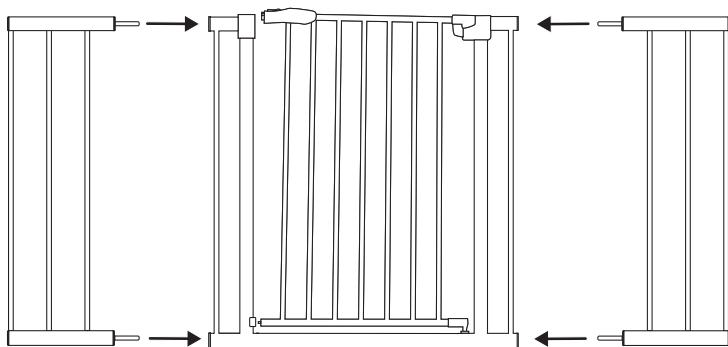
6



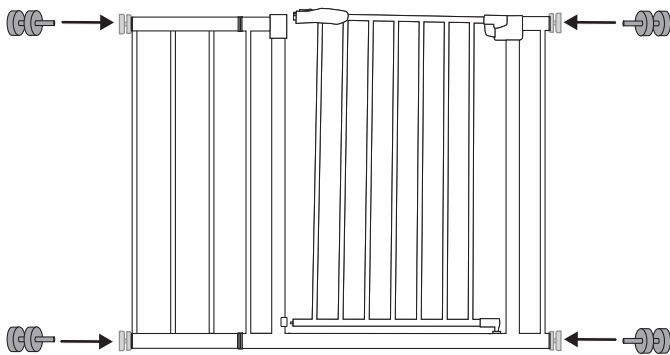
7

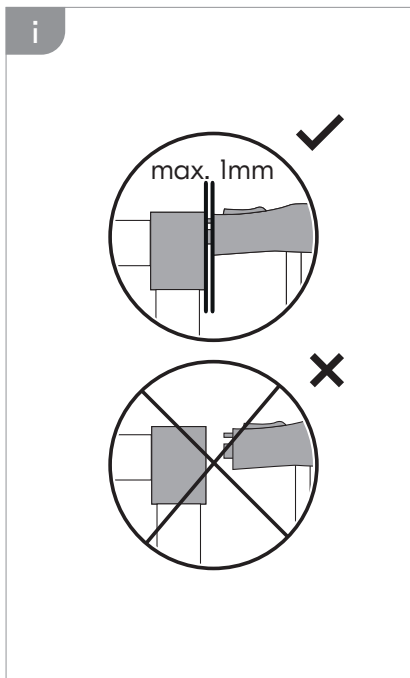
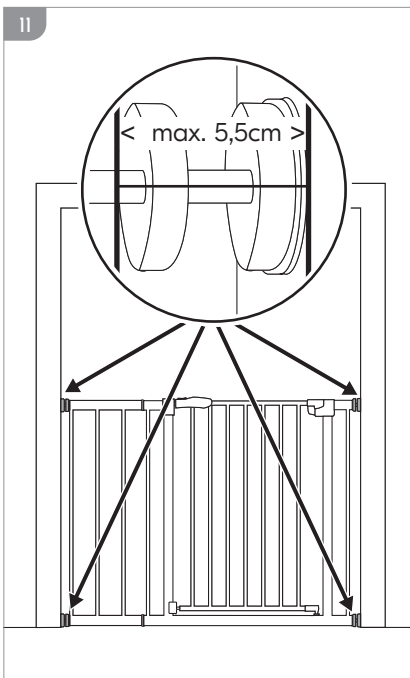
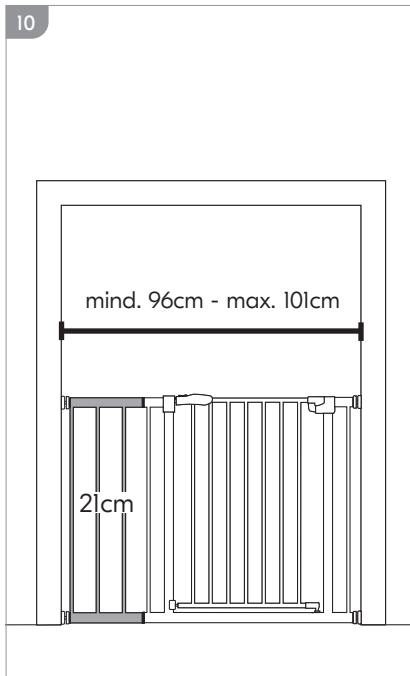
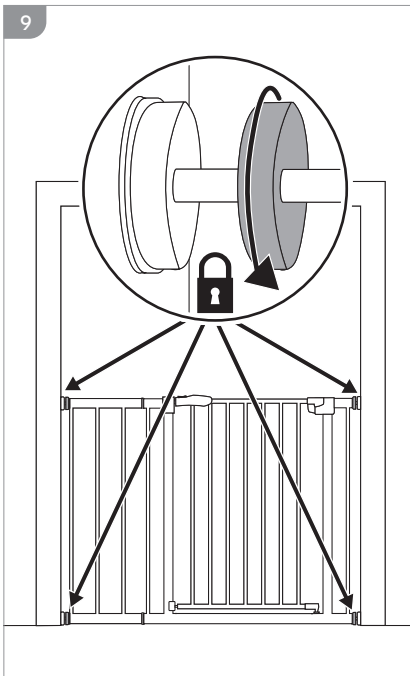
Option 1

Option 2



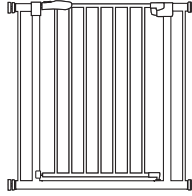
8





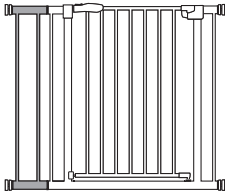
Open N Stop 2 + Extensions

Open N Stop 2

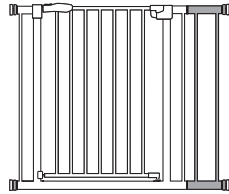


75cm - 80cm

Open N Stop 2 + 9cm Extension

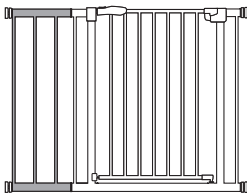


84cm - 89cm

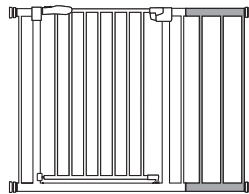


84cm - 89cm

Open N Stop 2 + 21cm Extension



96cm - 101cm

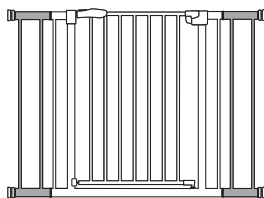


96cm - 101cm

Open N Stop 2 + Extensions

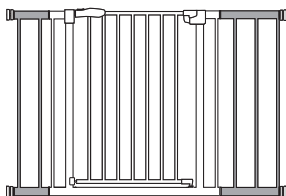
Open N Stop 2
+ 9cm Extension
+ 9cm Extension

93cm - 98cm



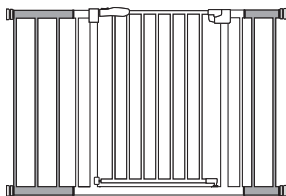
Open N Stop 2
+ 9cm Extension
+ 21cm Extension

105cm - 110cm



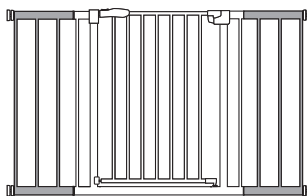
Open N Stop 2
+ 21cm Extension
+ 9cm Extension

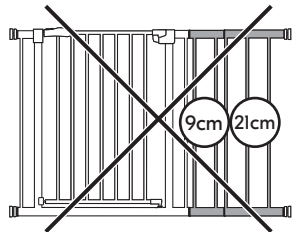
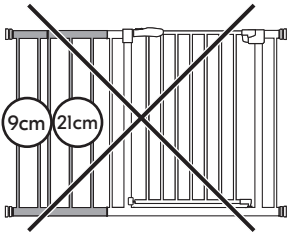
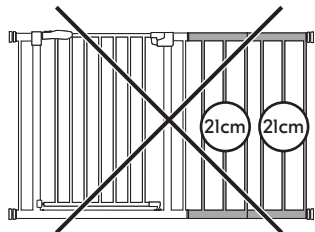
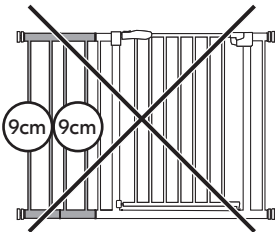
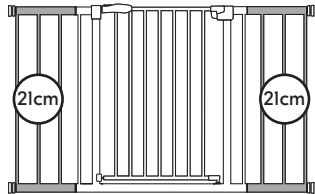
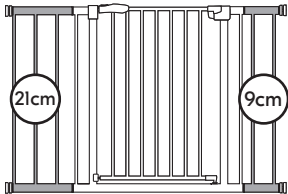
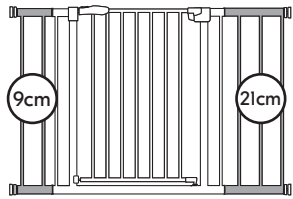
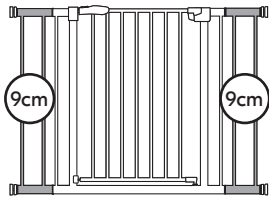
105cm - 110cm



Open N Stop 2
+ 21cm Extension
+ 21cm Extension

117cm - 122cm







hauck GmbH & Co. KG
Frohnlecher Str. 8
96242 Sonnefeld
Germany

phone: +49 (0)9562 9860
mail: info@hauck.de
web: www.hauck.de

hauck UK Ltd.
Ash Road South
Wrexham Industrial Estate
Wrexham, LL13 9UG, UK

phone: +44 (0)1978 664362
mail: info@hauckuk.com



RACCOLTA CARTA
RACCOLTA DIFFERENZIATA
Verifica le disposizioni
del tuo Comune

