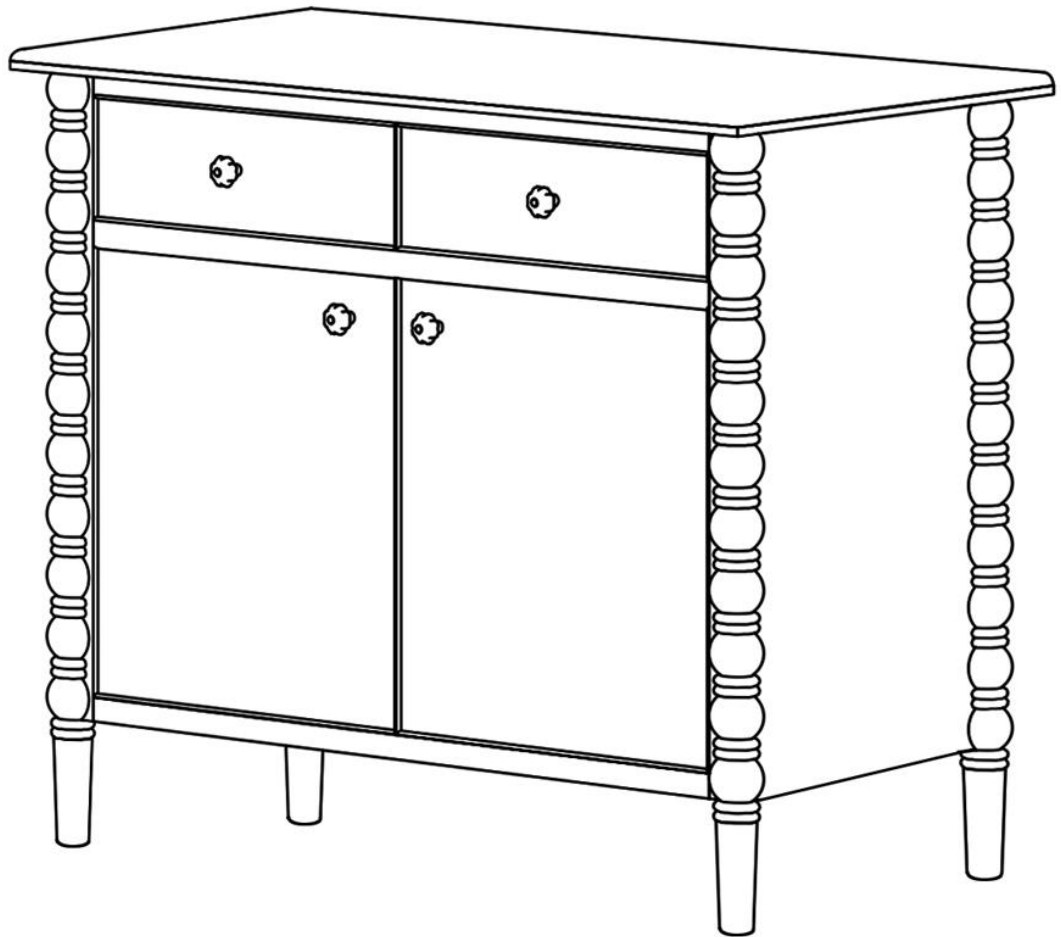


# Pippin Small Sideboard

## INSTRUCTIONS



**Dunelm**

[www.dunelm.com](http://www.dunelm.com)

## Dear Customer

Check the pack and make sure you have all the parts listed below. If not, contact the helpline on 03451 656565 who will be able to help you.

## Safety advice

**IMPORTANT** - The first step you need to take is to ensure your safety! Please take the time to read and understand These instructions before assembling your furniture.

Please keep these instructions for future reference.

Keep children and animals away from the assembly area. This furniture contains small parts that could cause choking if swallowed.

Keep all plastic wrapping materials away from babies and children to avoid danger of suffocation.

Ensure that all packaging is disposed of carefully and responsibly.

From time to time check that there are no loose fittings on the unit, re-tighten when necessary.

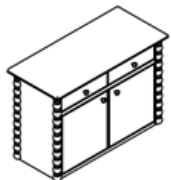

Two people may be required for the assembly of this product.



Once items are part or fully assembled they are not returnable unless faulty.

This item is not for outdoor use – unless stated otherwise.

Some items will be supplied with a wall fixing strap, which we recommend is used to secure the item to the wall, to prevent a child from accidentally pulling furniture over Furniture can be dangerous if incorrectly installed. Assembly should be carried out by a competent person. No liability will be accepted for damage or injury caused by incorrectly installed or assembled furniture.

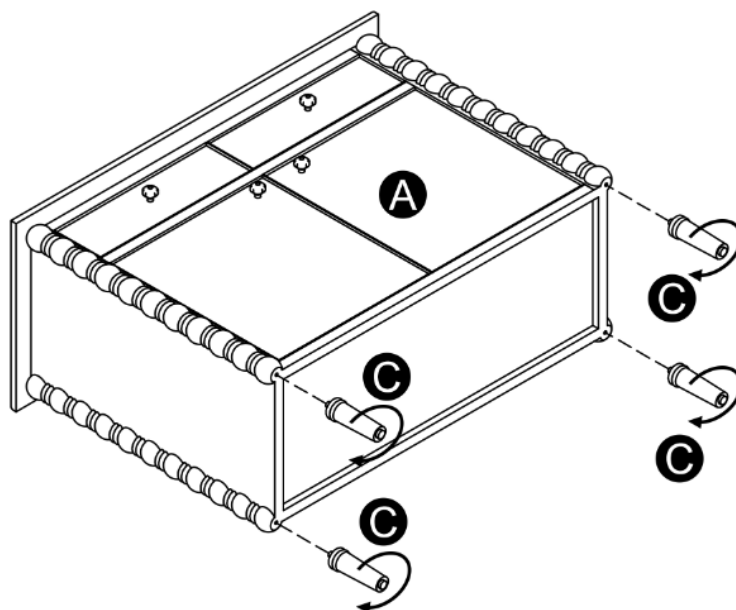
## Parts and fittings

Ref	Dimension	Visual	Qty
A	N/A		1
B	N/A		1

ITEM	Dimension	Visual	Qty
C	N/A		4
D	N/A		4

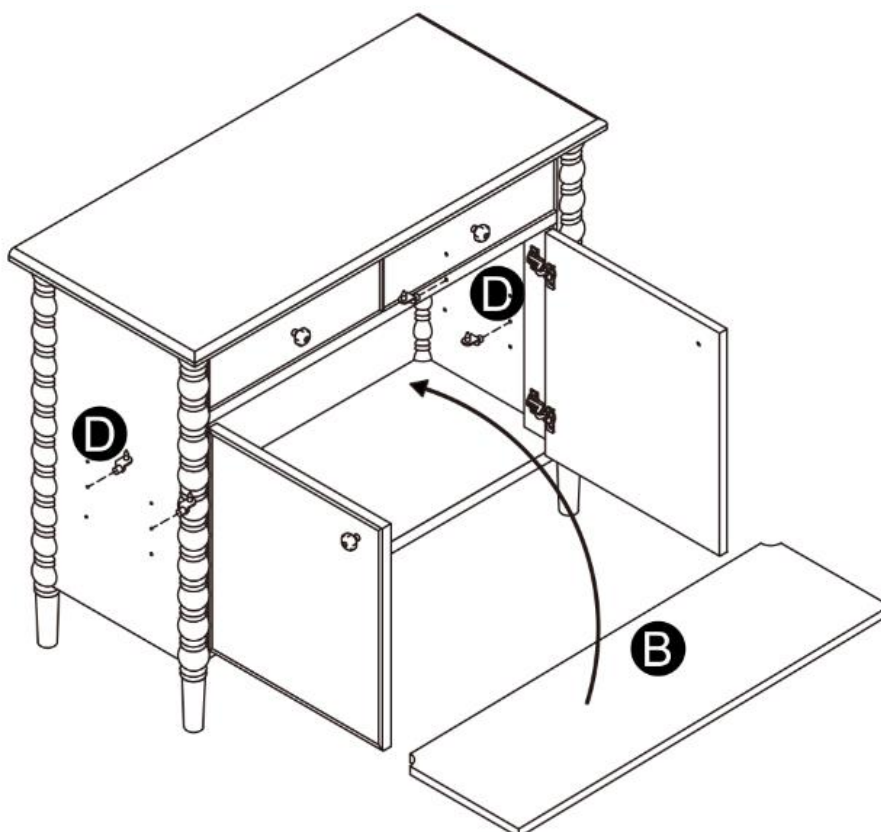
**Step 1:**

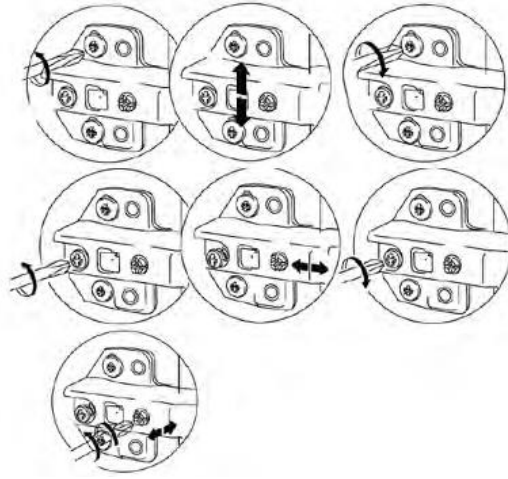
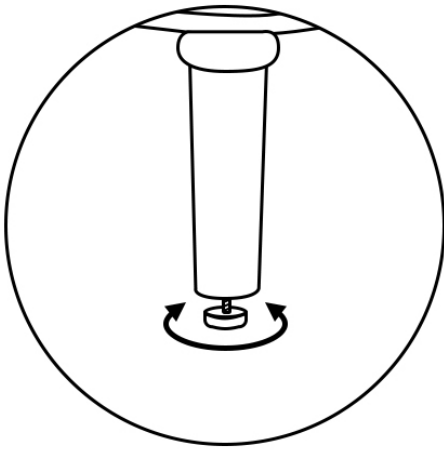
Gently turn the top (A) Upside down.  
Turn leg (C) x 4 onto the main body (A).



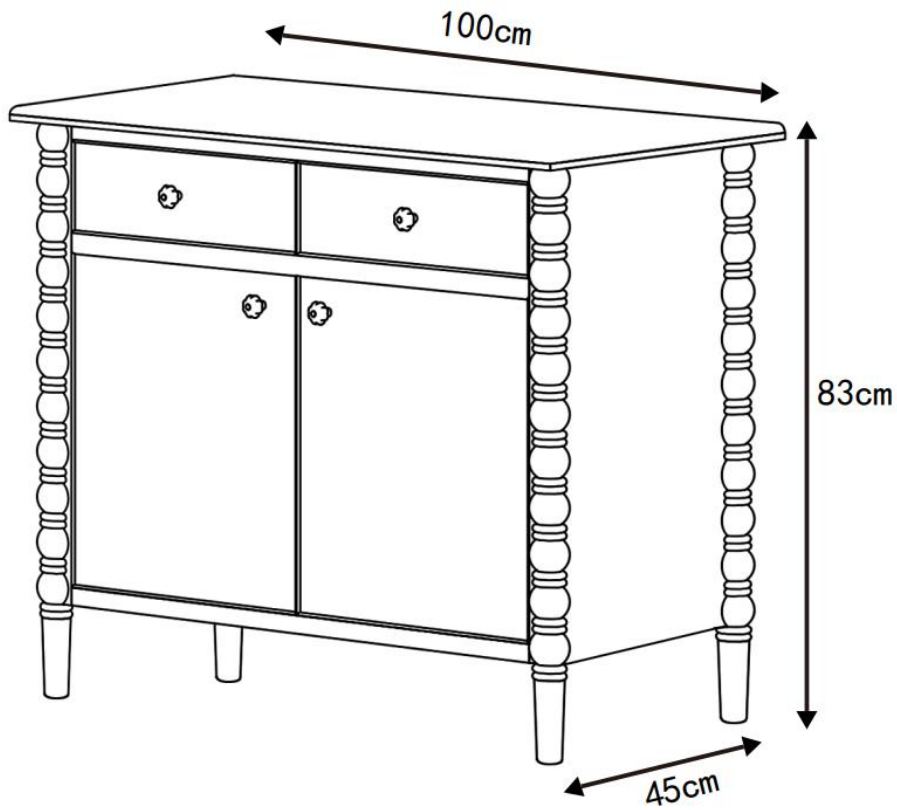
**Step 2:**

Fix the shelf pin support (D) x4 to the inside of the sideboard as shown below. And place the shelf (B)x1 on top of the pin support (D).





Please adjust the leg levers to make sure the item stands even and the gaps around doors can be adjusted by loosening or tightening the screws on the hinges.



**Note: Retighten legs periodically after use.**

## Wood Care advice

---

Wood is a natural product and each piece is individual.

As a natural product, wood is affected by temperature and humidity. We recommend that you avoid placing the furniture directly in front of heat sources such as radiators or fires as this can cause cracking or warping over time.

The colour will mellow over time and new items can vary in shade from items that you have already purchased.

Strong direct sunlight can affect the colour dramatically, so try to avoid this as much as possible, we also recommend that any ornaments, coasters and items placed on the product are periodically moved around to allow the colour to mellow evenly.

Always use mats and coasters to protect the surface when placing items on the furniture. This will help to protect the finish from heat, liquids or items that might scratch your furniture.

If items are to be placed on the surface of your furniture and have rubber feet, it is advisable to use mats to prevent marking.

Always lift your furniture into place, avoid dragging it across the floor as this can cause damage to joints.

When placing furniture on a wooden or laminate floor, please ensure that the plastic or felt protectors are securely fitted and in place.

Only clean using a damp cloth and mild detergent, do not use bleach or abrasive cleaners.

From time to time check that there are no loose screws on this unit.

Remove any spills immediately to avoid staining. Dust regularly with a soft lint free cloth or duster.

The use of abrasive polish or silicon based polishes is not advised as these can affect the polished finish and joints over time.

Uneven floors could give the impression that doors of wall units and wardrobes are out of alignment. Be aware of this and compensate if necessary by adjusting the hinges or packing a corner to level the item. Please refer to the instructions, included with your furniture, and adjust accordingly.

If your furniture becomes stained, scratched, chipped or suffers other damage, we recommend professional help is sought to restore it. Please contact our customer services line for recommended agents.

Always follow fitting instructions carefully and retain them for future use.

**Finally, we hope you enjoy your furniture for many years to come and thanks again for your purchase.**

**Manufactured in China for  
Dunelm (Soft Furnishings) Ltd. LE7 1AD  
& Dunelm (Soft Furnishings) Holdings Ltd. Dublin D12 WR25**