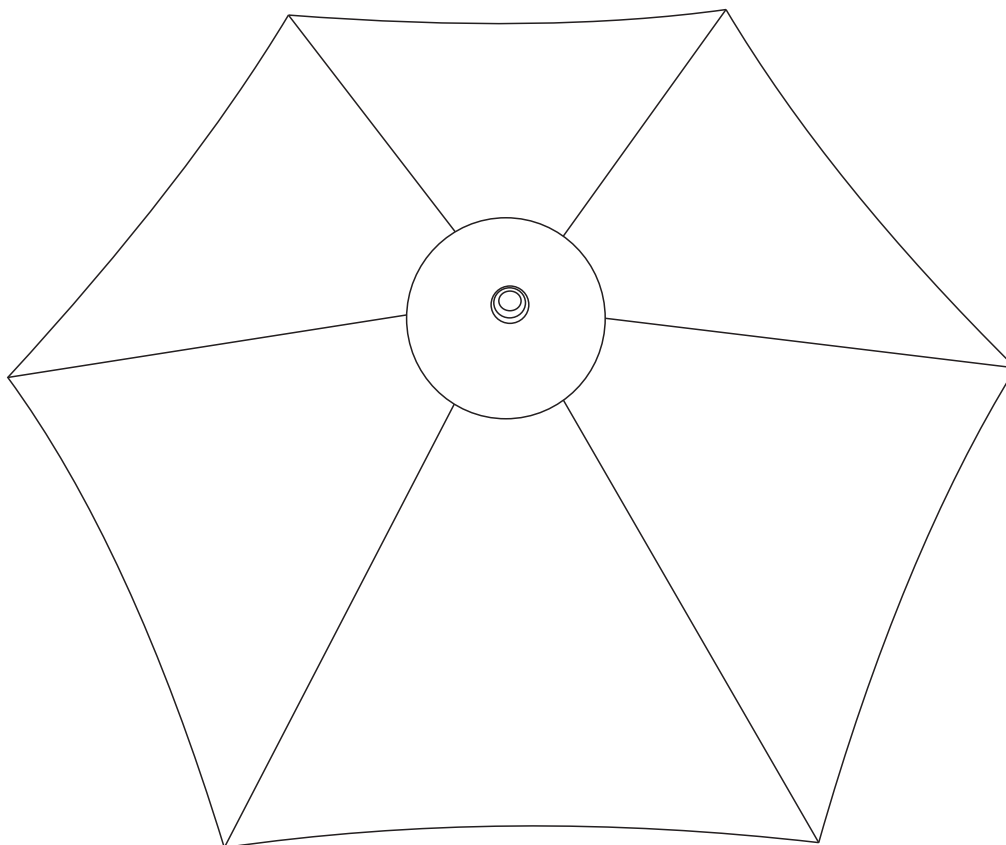


Replacement 2.7m Parasol Fabric

30925745

INSTRUCTIONS



Dunelm

www.dunelm.com

Manufactured in China for Dunelm (Soft Furnishings) Ltd. LE7 1AD
& Dunelm (Soft Furnishings) Londonderry Ltd. BT48 8QN

Thank you

Dear Customer

Thank you for purchasing your new piece of furniture from Dunelm. We put a lot of effort in the design and construction of our products to ensure they set the standard for quality, durability and ease of assembly.

If for any reason you feel we haven't lived up to the high standards we set ourselves, please don't hesitate in contacting us on **03451 656565** where our team will be very keen to understand what has gone wrong and, more importantly, put it right.

The next step...

There is no need to feel daunted by the number of parts and fittings in front of you, we have compiled this straight forward, step-by-step guide to make sure that assembling your furniture is as easy as 1, 2, 3.

Before you begin, we advise that you check that you have everything you need to get started.

Top tip

Find a space to spread everything out across the floor before you begin assembling the item. Lay each panel down on a clean and level area, ideally in the room of intended use, ensuring there is enough room to manoeuvre around the item. It is recommended that two people assemble this product together. The full list of furniture parts, fixtures and fittings, as well as the tools you will need for assembly can be found on in this manual.

Top tip

Identify all of the fittings, make sure that you have them all prepared and familiarise yourself with each component, to make things easier when you are putting it all together.

Safety and care advice

IMPORTANT - The first step you need to take is to ensure your safety! Please take the time to read and understand these instructions before assembling your furniture.

Please keep these instructions for future reference.

Keep children and animals away from the assembly area. This furniture contains small parts that could cause choking if swallowed.

Keep all plastic wrapping materials away from babies and children to avoid danger of suffocation.

Ensure that all packaging is disposed of carefully and responsibly.

From time to time check that there are no loose fittings on the unit, re-tighten when necessary.

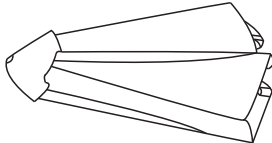
Two people may be required for the assembly of this product.

Once items are part or fully assembled they are not returnable unless faulty.

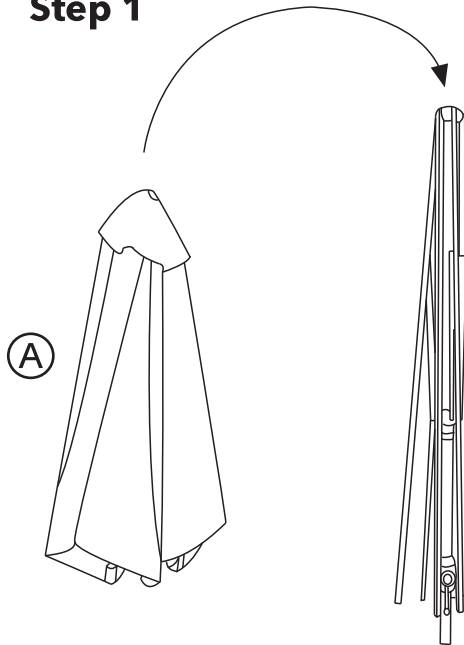
Some items will be supplied with a wall fixing strap, which we recommend is used to secure the item to the wall, to prevent a child from accidentally pulling furniture over. Furniture can be dangerous if incorrectly installed. Assembly should be carried out by a competent person. No liability will be accepted for damage or injury caused by incorrectly installed or assembled furniture.

Do not tighten bolts until fully assembled.

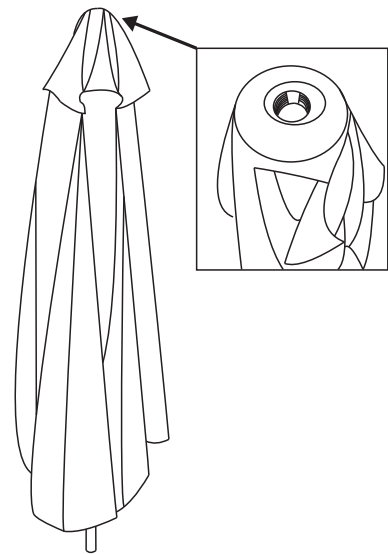
Component parts supplied

Ref	Item	Visual	Qty
A	Replacement 2.7m Parasol Fabric Only (Does not include parasol pole, ribs, cap and parasol stand.)		1

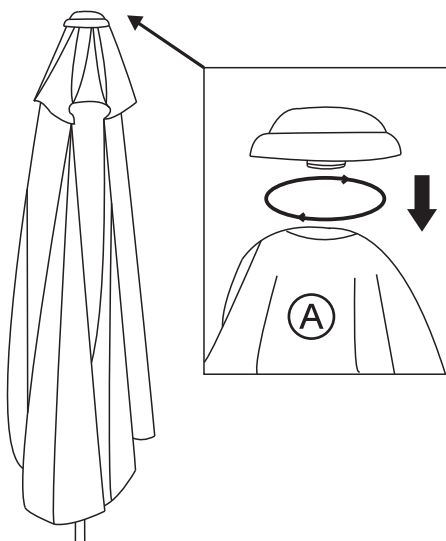
Step 1



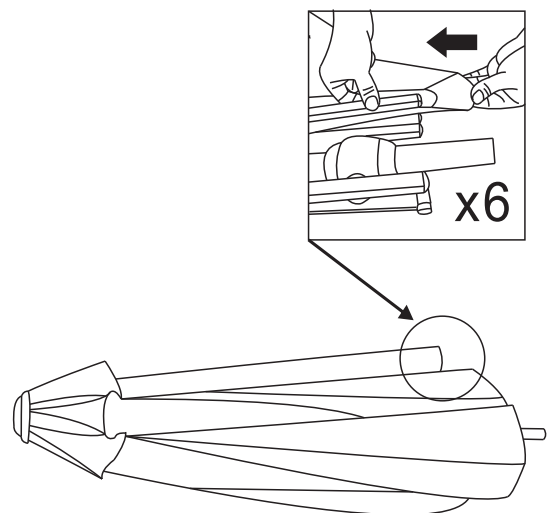
Step 2



Step 3



Step 4



GARDEN FURNITURE CARE GUIDE

General Care Advice:

We recommend that you use a breathable cover for garden furniture when not in use and during the winter it should ideally be stored inside in a cool place with an airflow. During bad weather and winter months the products should be stored in a dry place to avoid rusting.

Parasols should be left open to dry if they get wet and should always be taken down and put away in windy weather.

If you are placing furniture against a wall, leave a gap of at least 25mm to increase air flow around the product.

Always lift your furniture into place, avoid dragging it across the floor as this can cause damage to joints.

Avoid rocking backwards on two legs of chairs as this will weaken the joints.

Do not use a pressure washer or jet wash on any of your garden furniture.

Periodically, check the tightness of fixings and tighten if necessary.

Metal Outdoor Furniture Care Advice:

Use a clean, dry cloth to dust the surface. If there are stubborn marks use soapy water and a clean cloth, ensure that the water does not touch any other parts of the product. Afterwards use clean, dry cloth to remove any smears.

Do not use abrasive cleaners or cloths as these can scratch the surface of the metal.

Do not use chemical cleaners or polishes on any metal.