

# ASSEMBLY INSTRUCTIONS

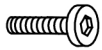


PERSON



15 MIN

Cx16



Dx16

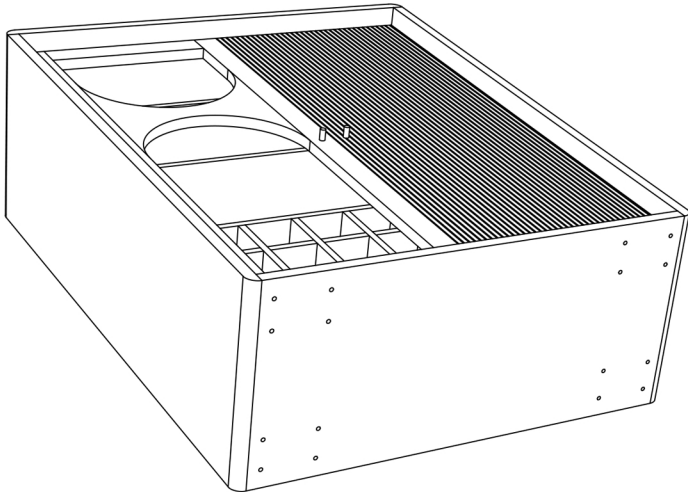


Ex1

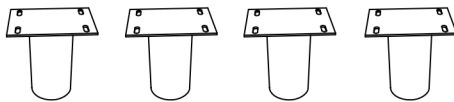


1

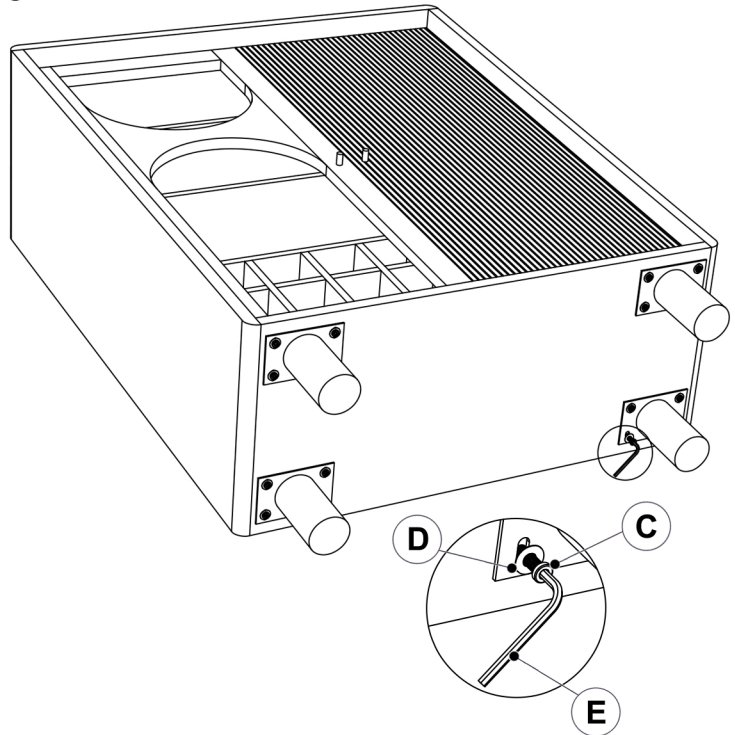
A



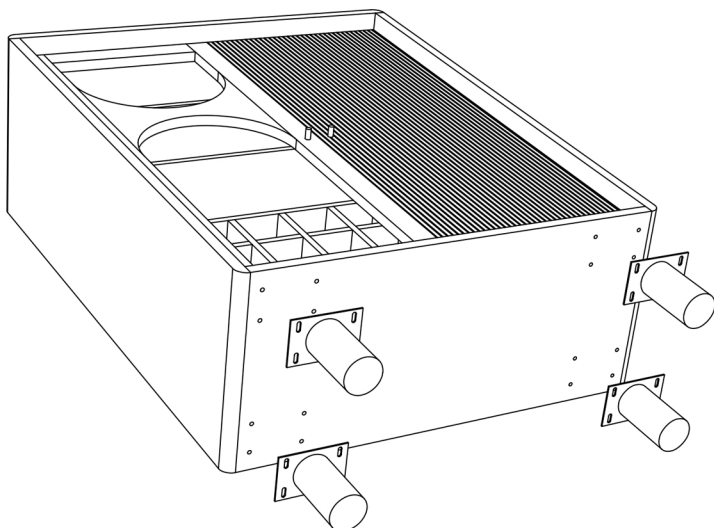
B



3



2



A + B

4

ASSEMBLED VIEW

