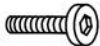


ASSEMBLY INSTRUCTIONS

CODE
ZEN08 & ZEN09



Cx12



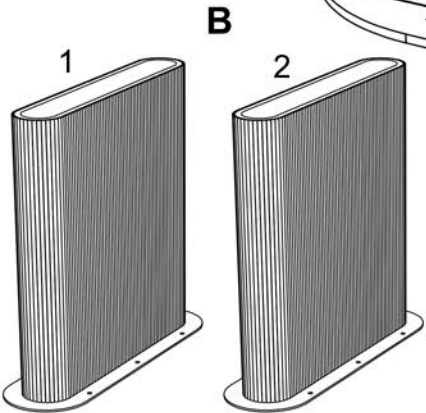
Dx12



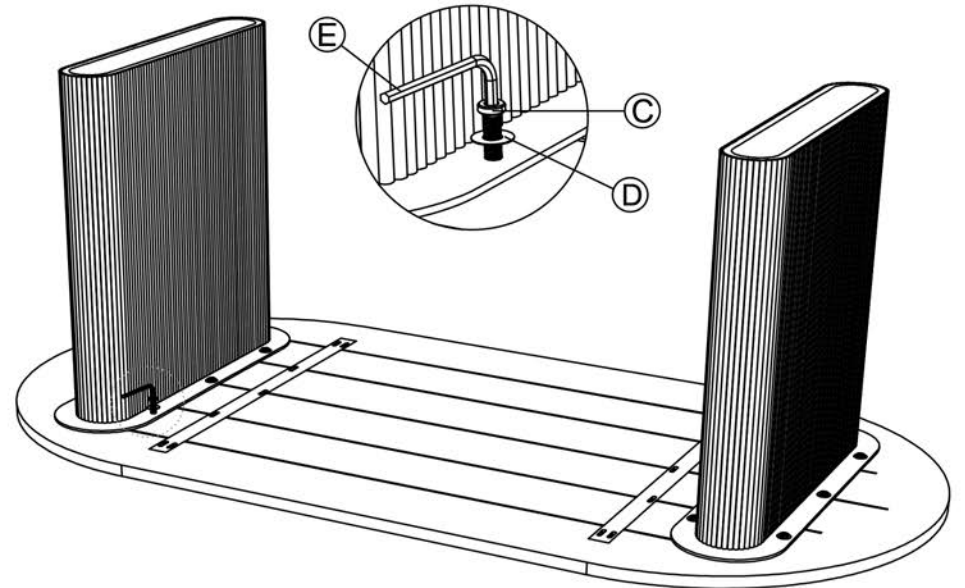
Ex1



1

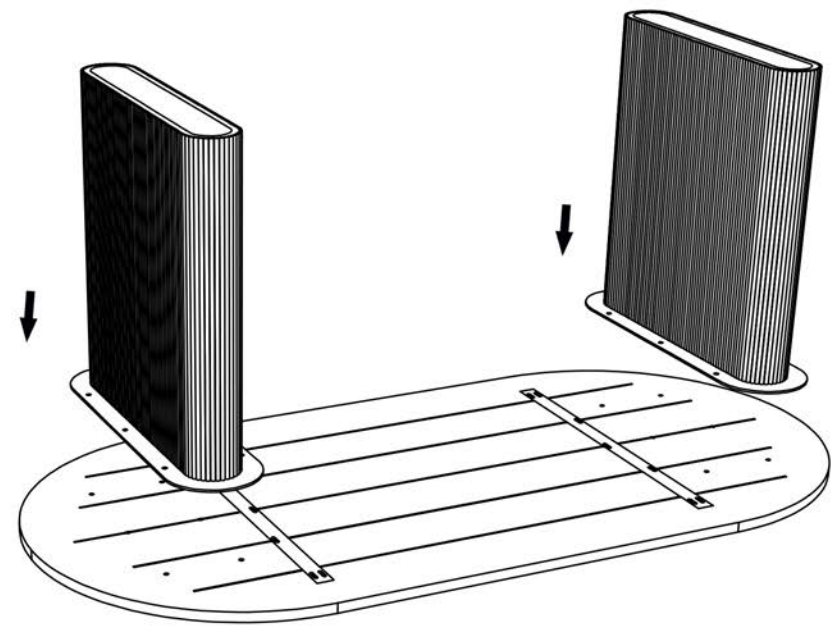


3



C + D + E

2



A + B

ASSEMBLED VIEW

4

