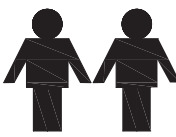
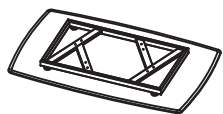


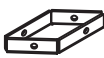




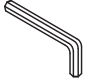
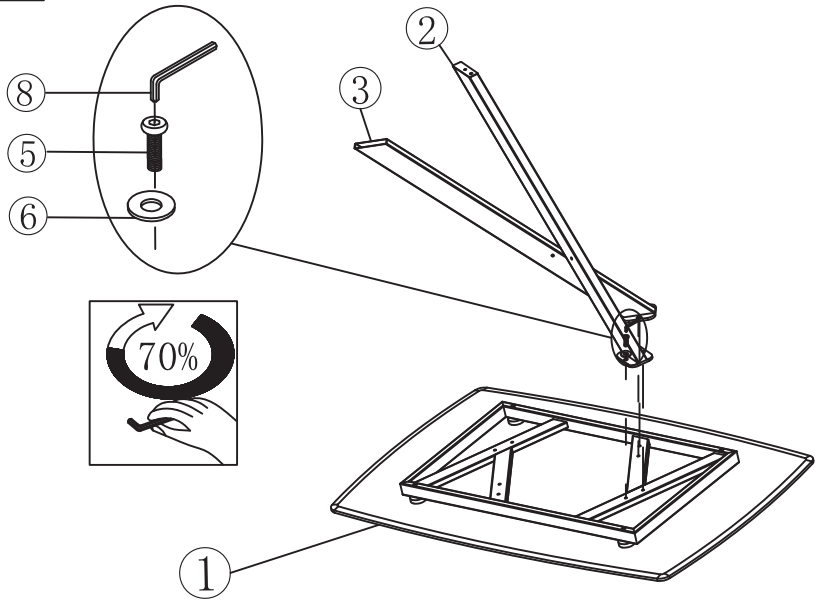





LIM02 ASSEMBLY INSTRUCTION

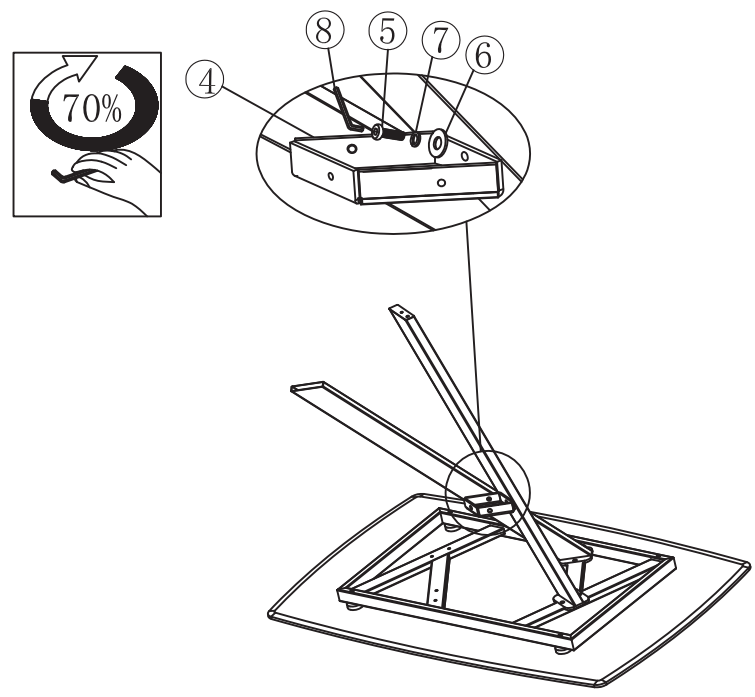
	 ① × 1	 ② × 2	 ③ × 2	 ④ × 1	 M8 × 20mm ⑤ × 12
	 Ø20 × Ø10 × 2mm ⑥ × 12	 M8 ⑦ × 4	 #5 ⑧ × 1		





STEP 1



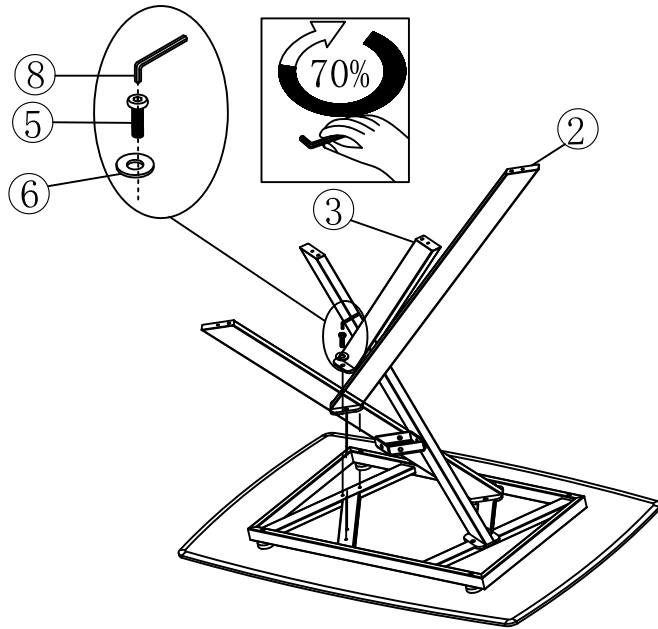
- ⑧ × 1

#5
- ⑤ × 4

M8 × 20mm
- ⑥ × 4

Ø20 × Ø10 × 2mm

STEP 2



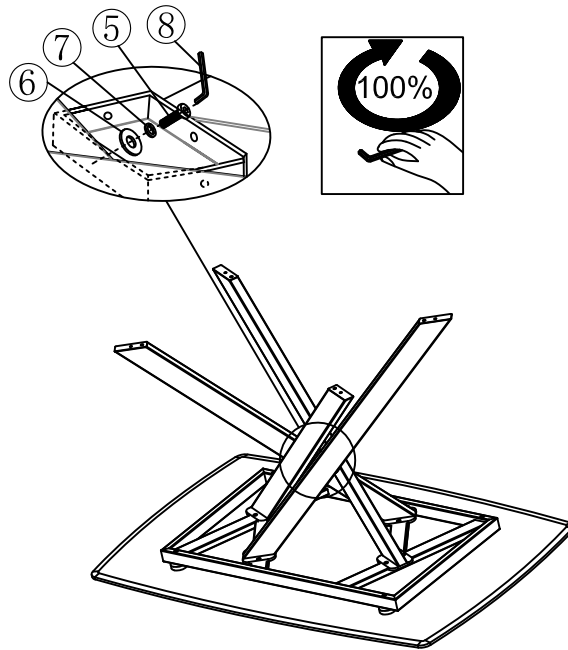
- ⑧ × 1

#5
- ⑤ × 2

M8 × 20mm
- ⑥ × 2

Ø20 × Ø10 × 2mm
- ⑦ × 2

M8

STEP 3



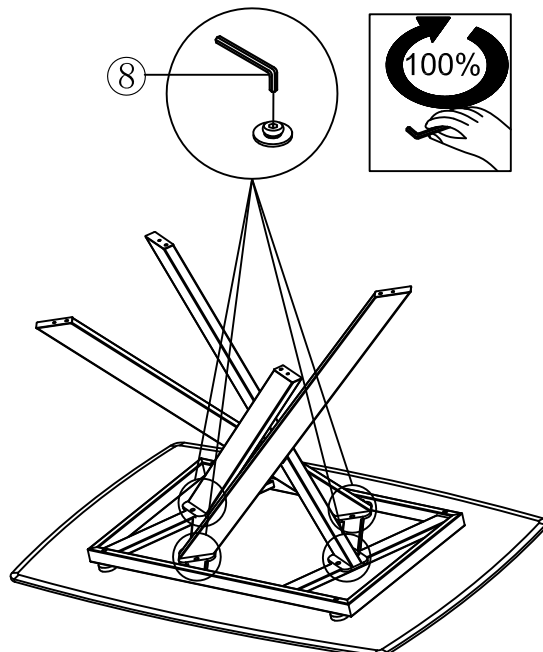
⑧ × 1
5#
⑤ × 4
M8×20mm
⑥ × 4
Ø20×Ø10×2mm

STEP 4



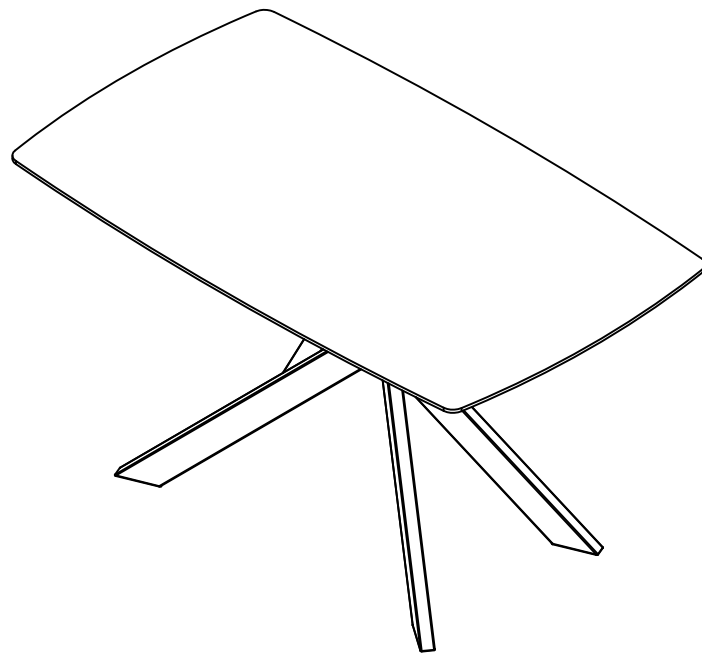
⑧ × 1
5#
⑤ × 2
M8×20mm
⑥ × 2
Ø20×Ø10×2mm
⑦ × 2
M8

STEP 5

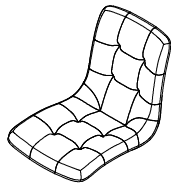


⑧ × 1
5#

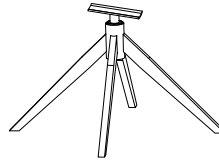
STEP 6



LIMA DINING CHAIR ASSEMBLY INSTRUCTION



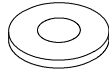
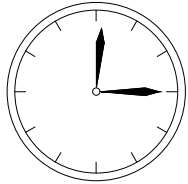
①×1



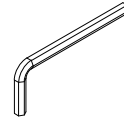
②×1



③×4
M6×20mm



④×4
∅18×∅6mm



⑤×1
4#

