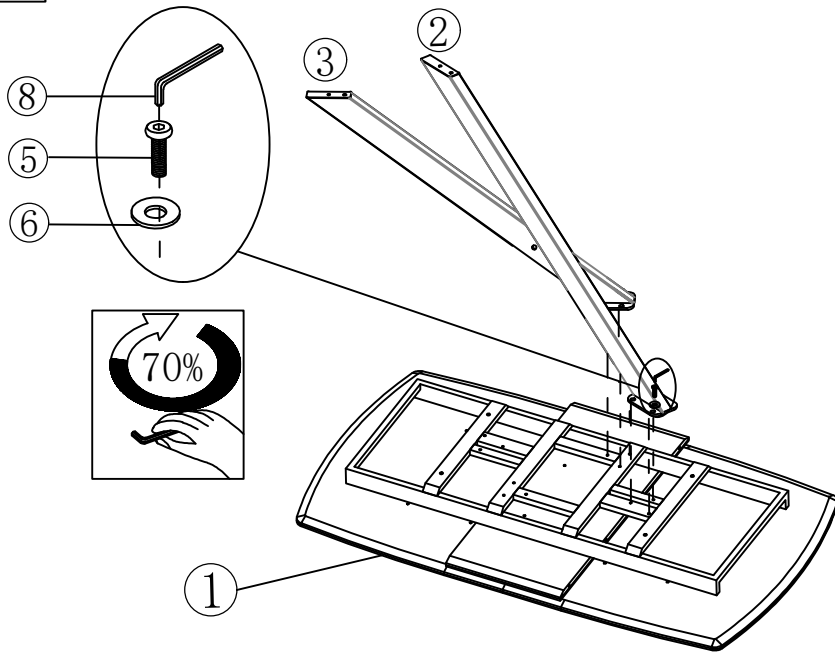


LIM01 ASSEMBLY INSTRUCTION

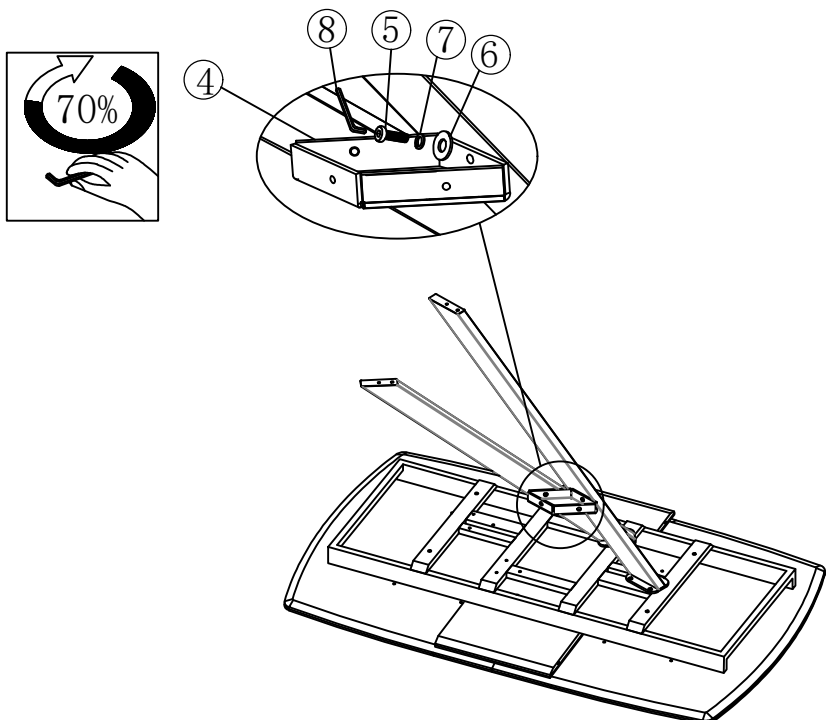
	<p>① × 1</p>	<p>② × 2</p>	<p>③ × 2</p>	<p>④ × 1</p>	<p>M8 × 20mm</p> <p>⑤ × 16</p>
	<p>Ø20 × Ø10 × 2mm</p> <p>⑥ × 16</p>	<p>M8</p> <p>⑦ × 4</p>	<p>#5</p> <p>⑧ × 1</p>	<p>#8</p> <p>⑨ × 1</p>	

STEP 1



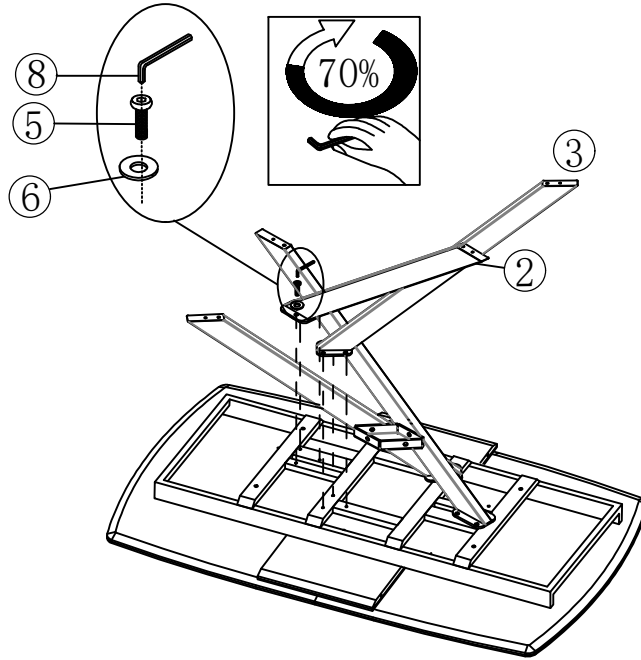
- ⑧ × 1
 #5
- ⑤ × 6
 M8 × 20mm
- ⑥ × 6
 Ø20 × Ø10 × 2mm

STEP 2



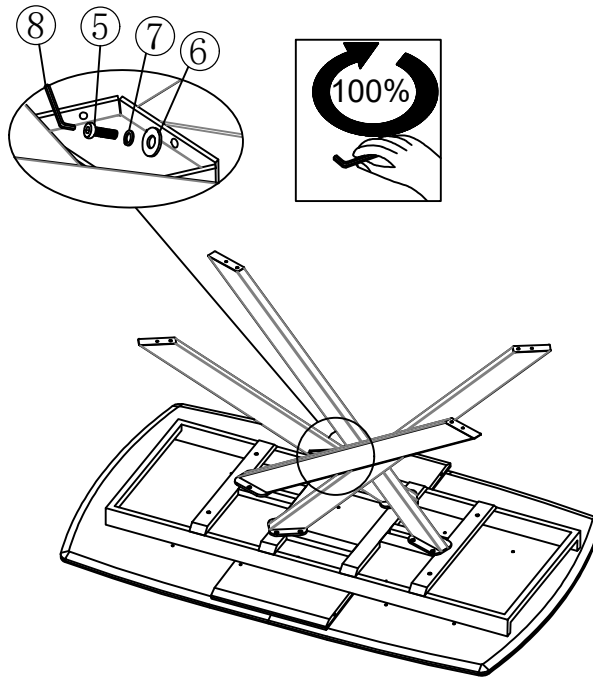
- ⑧ × 1
 #5
- ⑤ × 2
 M8 × 20mm
- ⑥ × 2
 Ø20 × Ø10 × 2mm
- ⑦ × 2
 M8

STEP 3



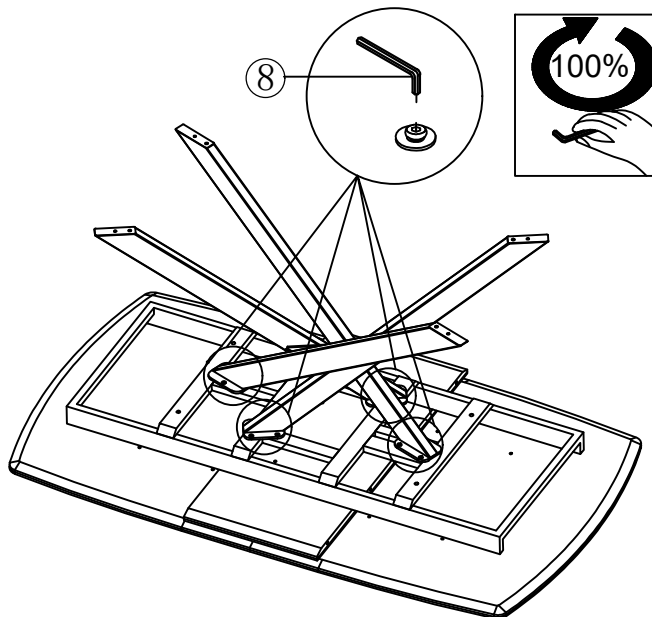
- ⑧ × 1
5#
- ⑤ × 6
M8×20mm
- ⑥ × 6
Ø20×Ø10×2mm

STEP 4



- ⑧ × 1
5#
- ⑤ × 2
M8×20mm
- ⑥ × 2
Ø20×Ø10×2mm
- ⑦ × 2
M8

STEP 5



- ⑧ × 1
5#

