

# ASSEMBLY INSTRUCTION

Buyer Code  
ICON09



2 PERSON



15 MIN

C X 16



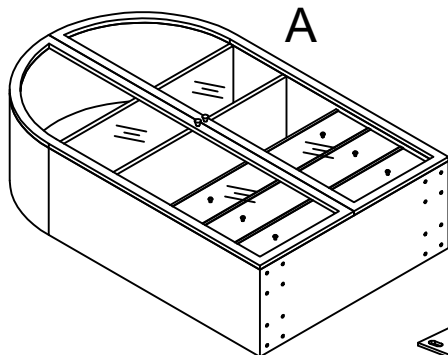
D X 16



EX 1

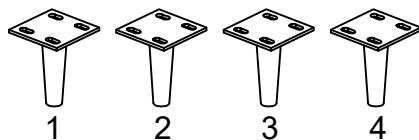


1



A

B



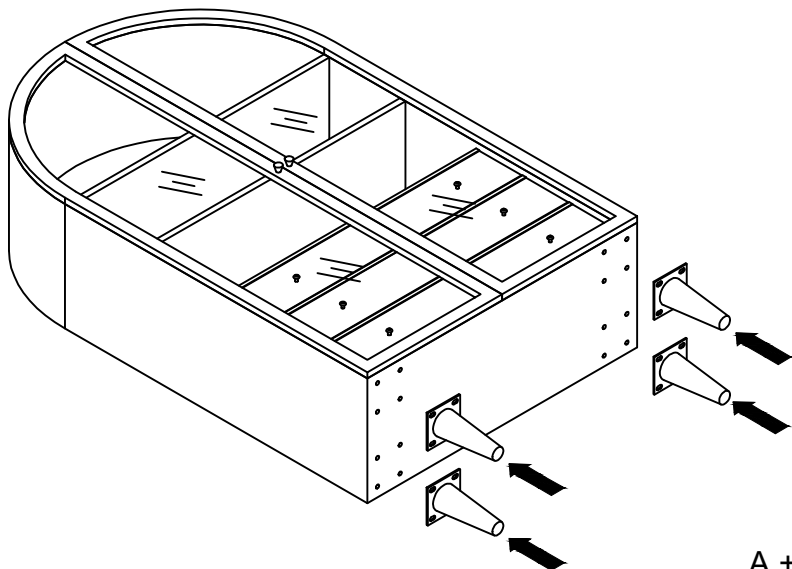
1

2

3

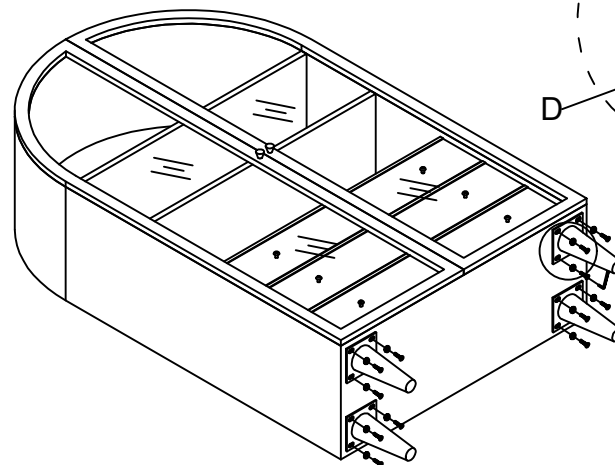
4

2



A + B

3



C + D + E

4

ASSEMBLED VIEW

