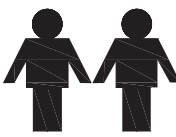
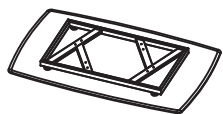


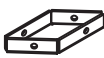




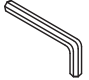
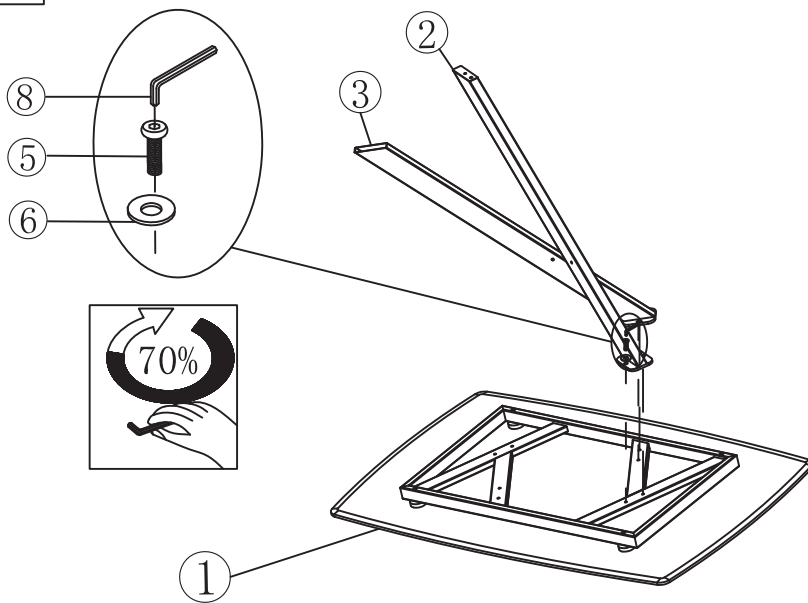





LIM02 ASSEMBLY INSTRUCTION

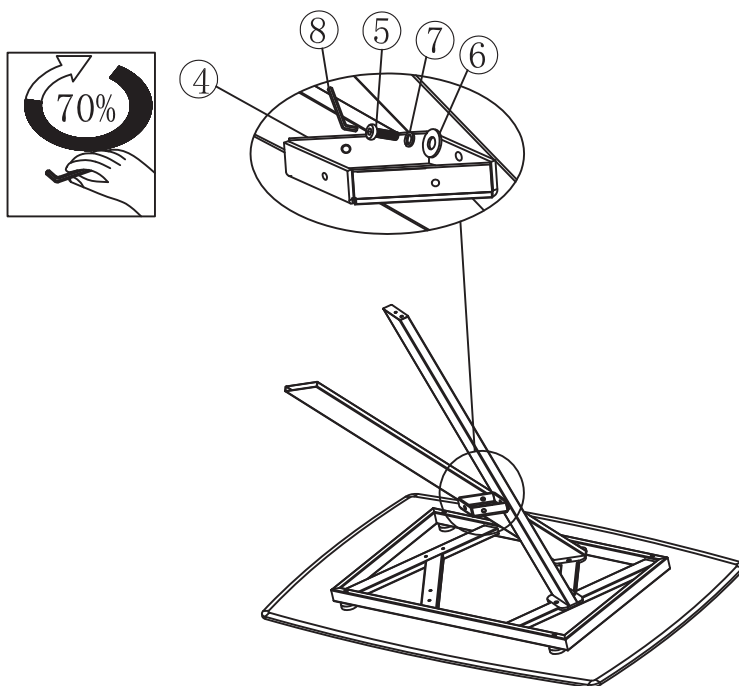
	 ① × 1	 ② × 2	 ③ × 2	 ④ × 1	 M8 × 20mm ⑤ × 12
	 Ø20 × Ø10 × 2mm ⑥ × 12	 M8 ⑦ × 4	 #5 ⑧ × 1		





STEP 1



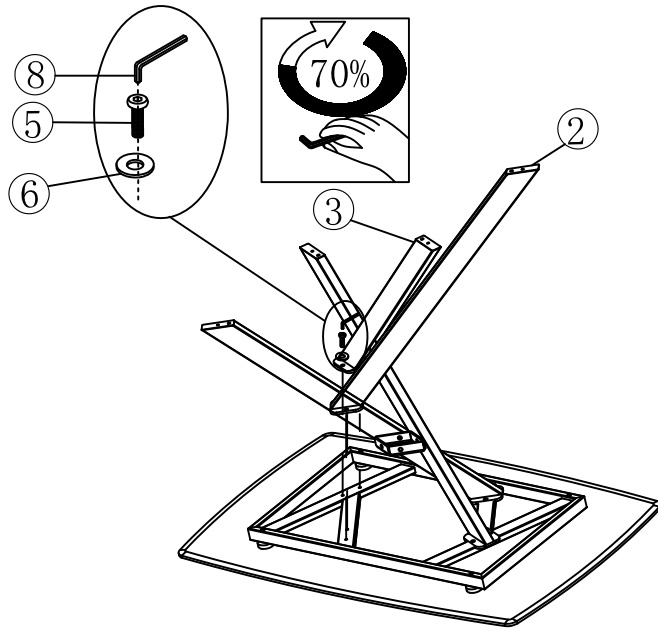
⑧ × 1
 #5
⑤ × 4
 M8 × 20mm
⑥ × 4
 Ø20 × Ø10 × 2mm

STEP 2



⑧ × 1
 #5
⑤ × 2
 M8 × 20mm
⑥ × 2
 Ø20 × Ø10 × 2mm
⑦ × 2
 M8

STEP 3



⑧ × 1



5#

⑤ × 4



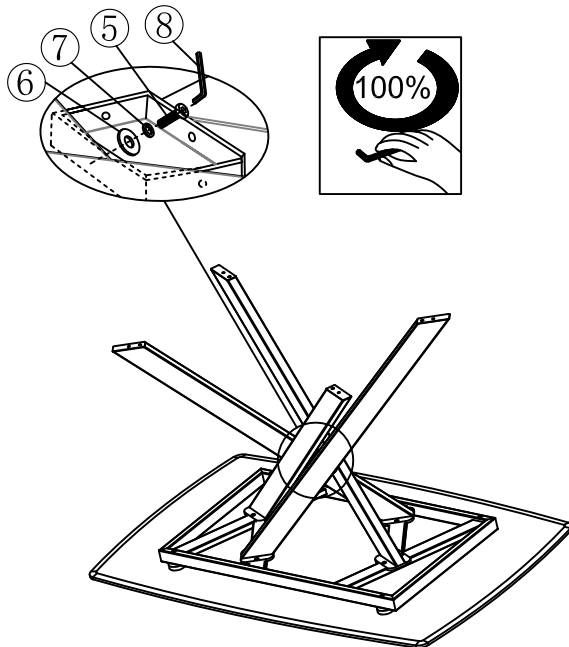
M8×20mm

⑥ × 4



Ø20×Ø10×2mm

STEP 4



⑧ × 1



5#

⑤ × 2



M8×20mm

⑥ × 2



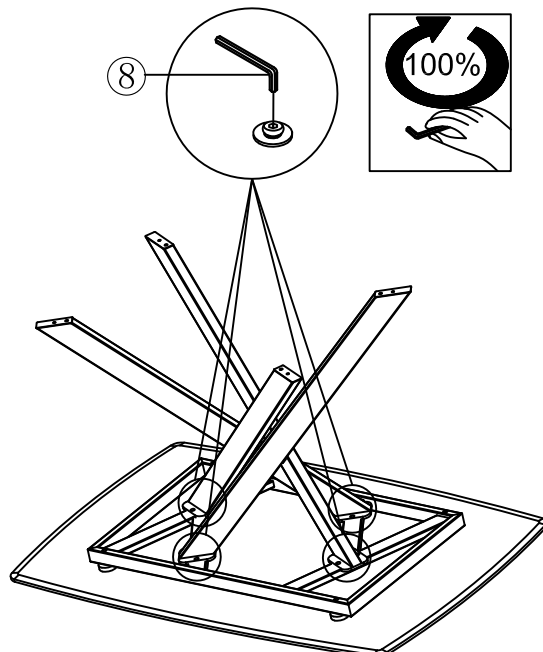
Ø20×Ø10×2mm

⑦ × 2



M8

STEP 5



⑧ × 1



5#

STEP 6

