

ASSEMBLY INSTRUCTION

Buyer Code
ICON10 & ICON11



2 PERSON



15 MIN

C X 16



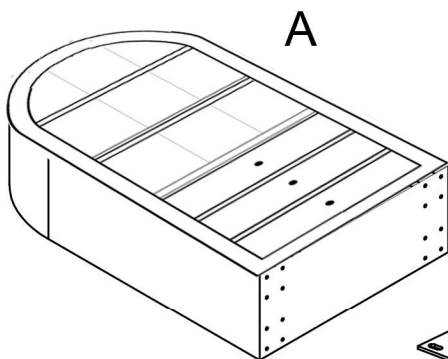
D X 16



E X 1

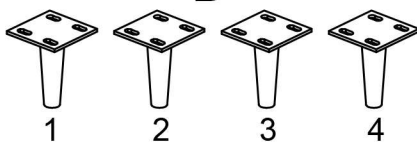


1



A

B



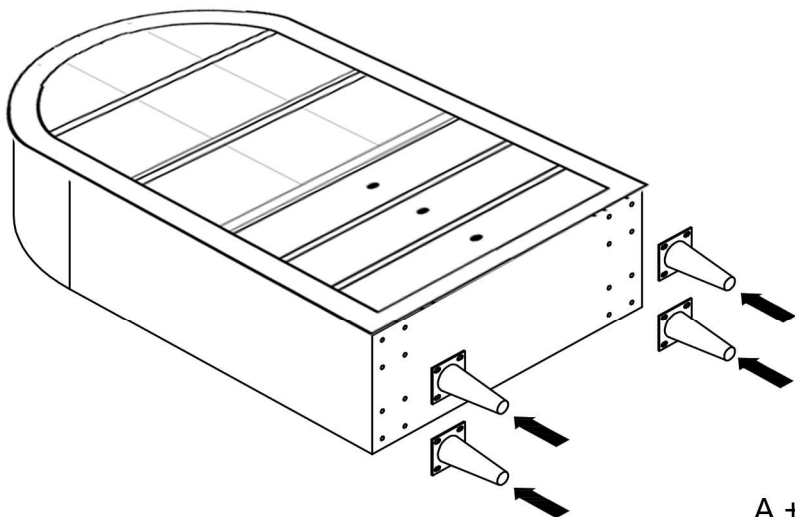
1

2

3

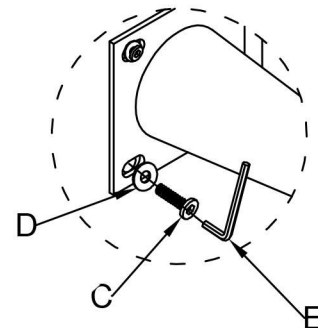
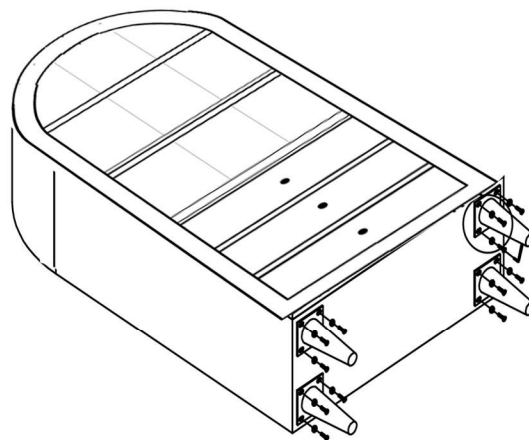
4

2



A + B

3



C + D + E

4

ASSEMBLED VIEW

