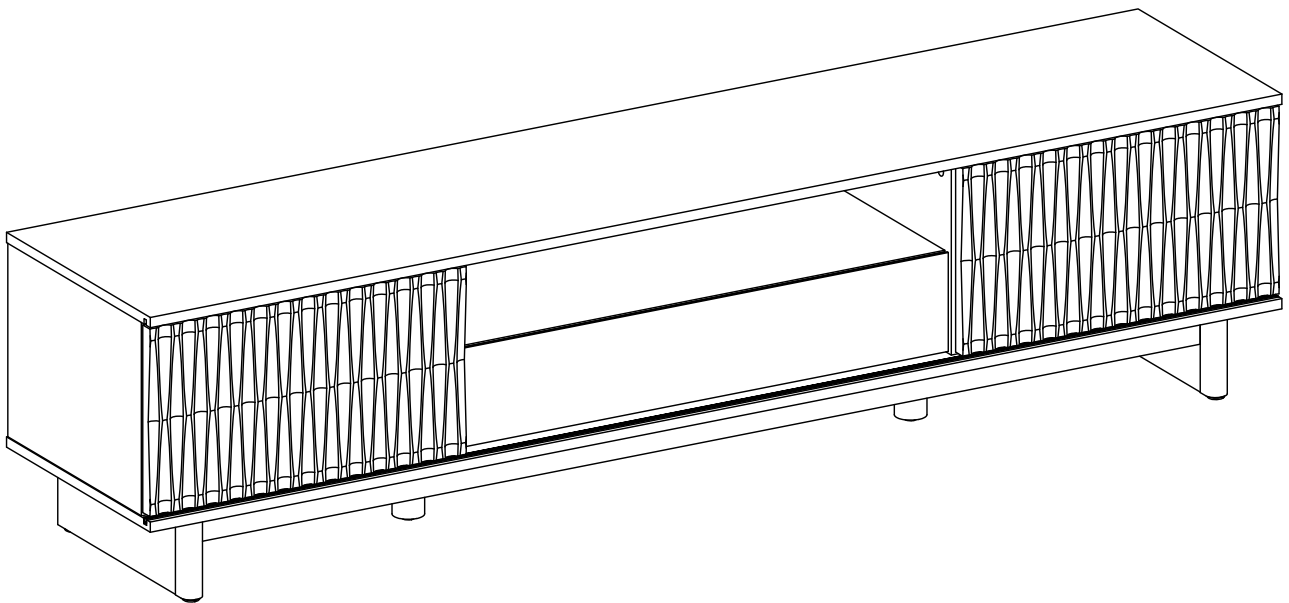


Inga Extra Wide TV Unit

INSTRUCTIONS



Thank You

Dear Customer

Check the pack and make sure you have all the parts listed below. If not, contact the helpline on 03451 656565 who will be able to help you.

Safety advice

IMPORTANT - The first step you need to take is to ensure your safety! Please take the time to read and understand these instructions before assembling your furniture.

Please keep these instructions for furniture reference.

Keep children and animals away from the assembly area. This furniture contains small parts that could cause choking if swallowed.

Keep all plastic wrapping materials away from babies and children to avoid danger of suffocation.

Ensure that all packaging is disposed of carefully and responsibly.

From time to time check that there no loose fittings on the unit, re-tighten when necessary.

Two people maybe required for the assembly of this product.

Once items are part or fully assembled, they are not returnable unless faulty.

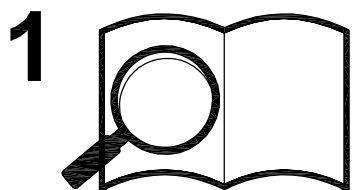
This item is not for outdoor use - unless stated otherwise.

Some items will be supplied with a wall fixing strap, which we recommend is used to secure the item to the wall, to prevent a child from accidentally pulling furniture over. Furniture can be dangerous if incorrectly installed. Assembly should be carried out by a competent person. No liability will be accepted for damage or injury caused by incorrectly installed or assembled furniture.

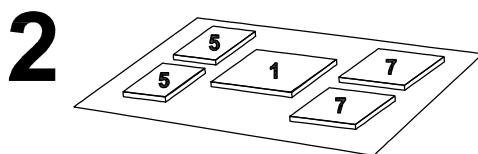
Top Tips Before You Start !

WARNING

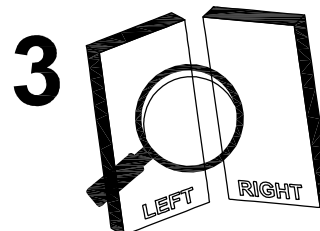
The Furniture is Exempt From Our Home Approval Policy Once Assembled.



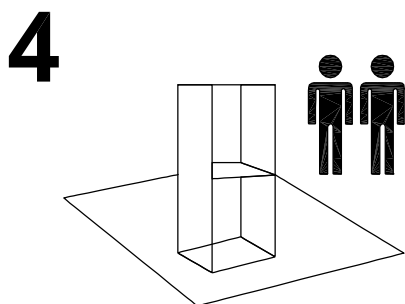
Read the Assembly Instruction carefully, check that all Parts and Hardwares are present !



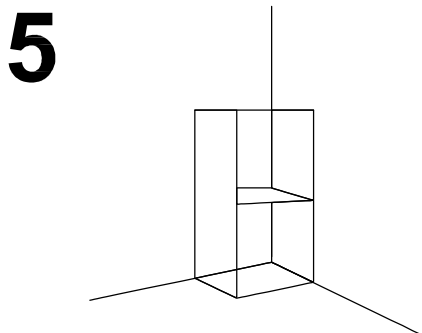
Layout all of the parts on a soft surface, and separate in groups for the same numbers to prevent any damage and easy identification. (Note: protected surface required for High Gloss Finished Items).



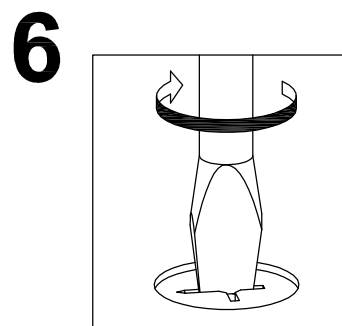
Carefully identify each parts required on that step, especially those that are similar. (e.g., Left-Right).



Please ensure you have sufficient space and people (as indicated in Page 1) to assemble the product safely.



Where possible, all items are assembled near to the area in which they will be place in use, to avoid moving the product unnecessary once assembled.



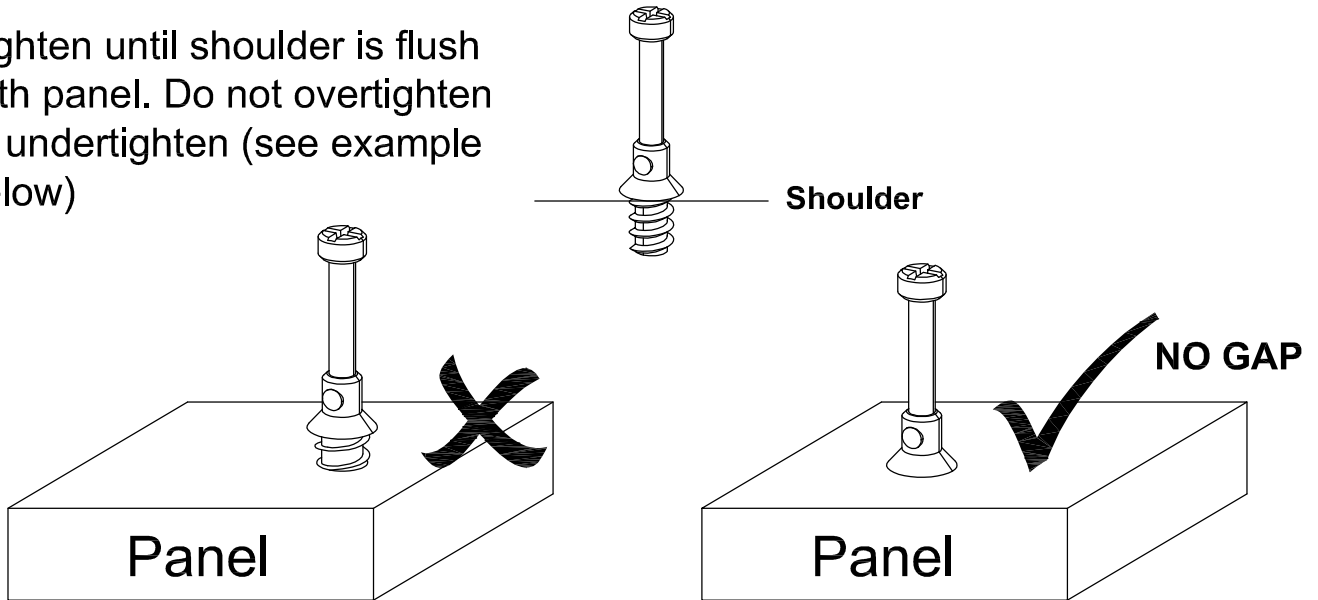
During assembly please take care not to over-tighten any fittings, as this may damage the product.

Note : For faster assembly strongly recommended to assemble sub-assembly part before the main body (e.g. drawer, hutch).

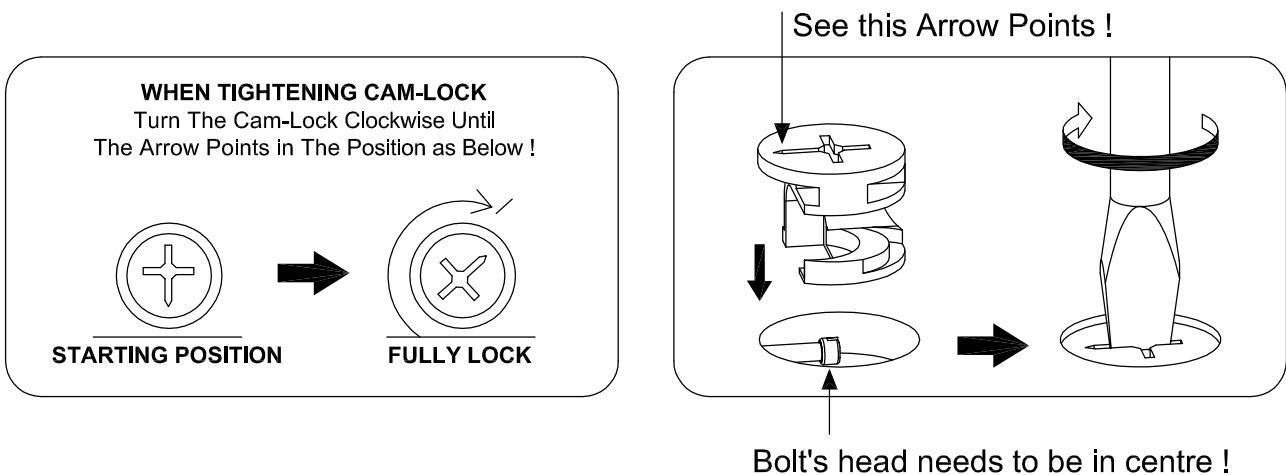
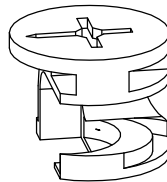
Special Tips for Fitting Minifix Cam (Cam-Lock), and Minifix Bolt (Cam-Bolts)

CAM-BOLT

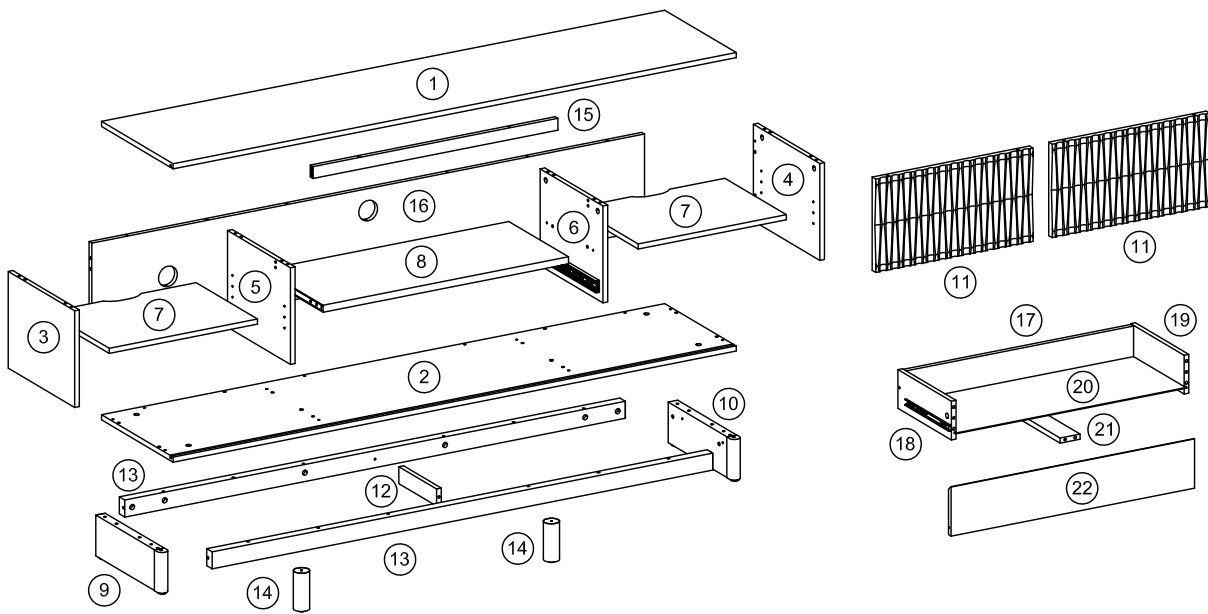
Tighten until shoulder is flush with panel. Do not overtighten or undertighten (see example below)



CAM-LOCK



Component Parts Supplied

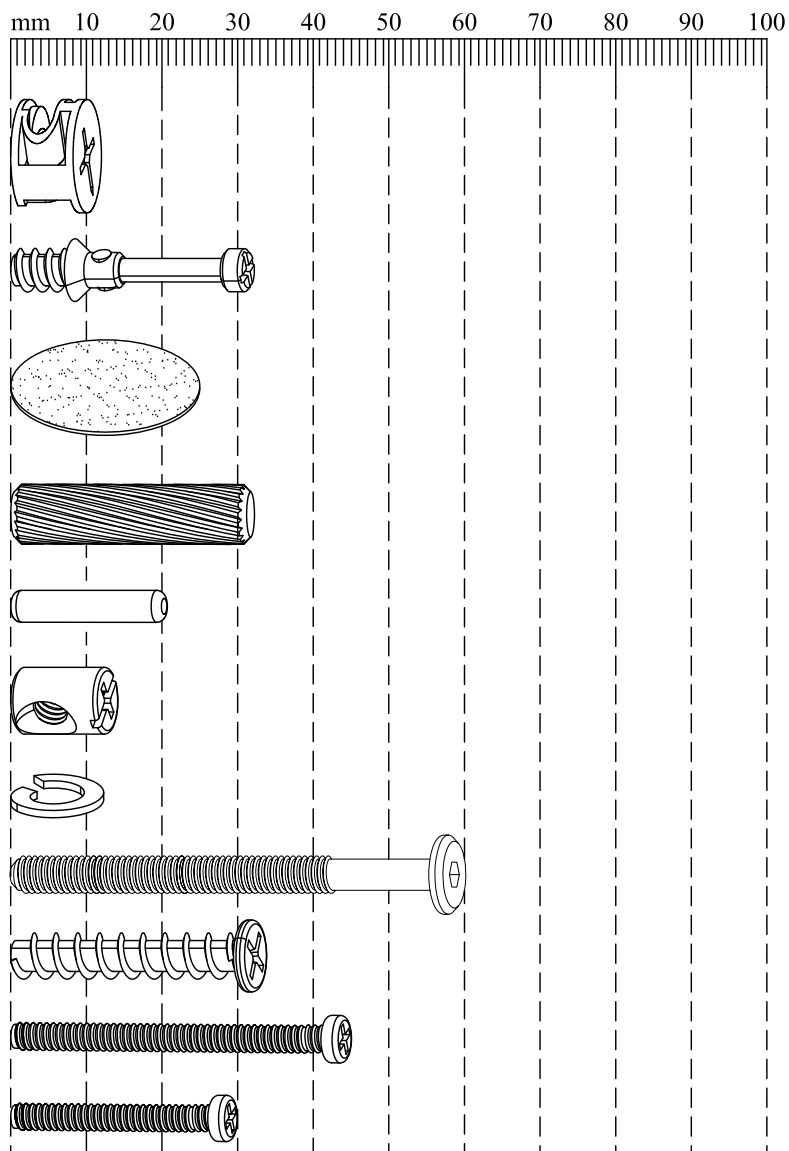


Ref	Description	Dimensions	Qty
①	Top panel	1800mm x 396mm x 15mm	1
②	Base panel	1800mm x 396mm x 15mm	1
③	Left panel	285mm x 368mm x 15mm	1
④	Right panel	285mm x 368mm x 15mm	1
⑤	Left divider panel	285mm x 348mm x 15mm	1
⑥	Right divider panel	285mm x 348mm x 15mm	1
⑦	Adjustable shelf	475mm x 338mm x 15mm	2
⑧	Middle panel	784mm x 330mm x 21mm	1
⑨	Left leg	356mm x 120mm x 32mm	1
⑩	Right leg	356mm x 120mm x 32mm	1
⑪	Door	275mm x 503mm x 20mm	2
⑫	Bottom small support	209mm x 50mm x 15mm	1
⑬	Bottom large support	1600mm x 50mm x 30mm	2
⑭	Leg	113mm x 45mm x 44mm	2
⑮	Metal support	783mm x 35mm x 15mm	1
⑯	Rear Panel	1766mm x 285mm x 15mm	1
⑰	Rear drawer	728mm x 112mm x 15mm	1
⑱	Left drawer	296mm x 114mm x 15mm	1
⑲	Right drawer	296mm x 114mm x 15mm	1
⑳	Bottom drawer	739mm x 292mm x 2.5mm	1
㉑	Bottom support drawer	280mm x 64mm x 15mm	1
㉒	Front drawer	778mm x 145mm x 15mm	1




Parts and fittings




Fixtures and fittings supplied (actual size)

Ref	Dimensions	Qty
(A)	Dia.15 x 12mm	37
(B)	7.5mm x 32mm	37
(C)	Dia.25mm	45
(D)	8mm x 32mm	46
(E)	5mm x 20mm	2
(F)	Dia.10 x 13mm	4
(G)	Ø6mm	2
(H)	6mm x 60mm	4
(I)	10mm x 33.5mm	17
(J)	6mm x 45mm	2
(K)	6mm x 30mm	4



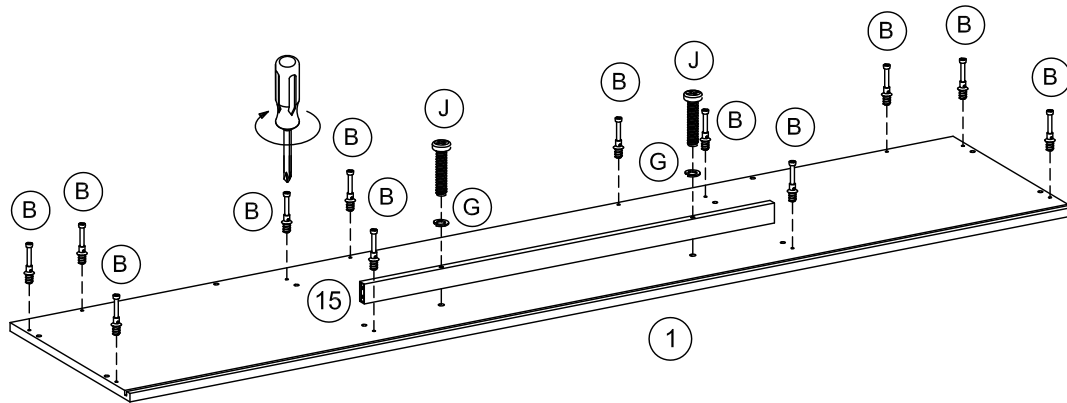
Fixtures and fittings supplied (not to scale)

Ref	Item	Visual	Qty
(L)	Cable holder		3
(M)	Shelf support		8
(N)	Fix pin		4

Ref	Item	Visual	Qty
(O)	Push pin		4
(P)	Allen key		1
(Q)	Door Buffer		2

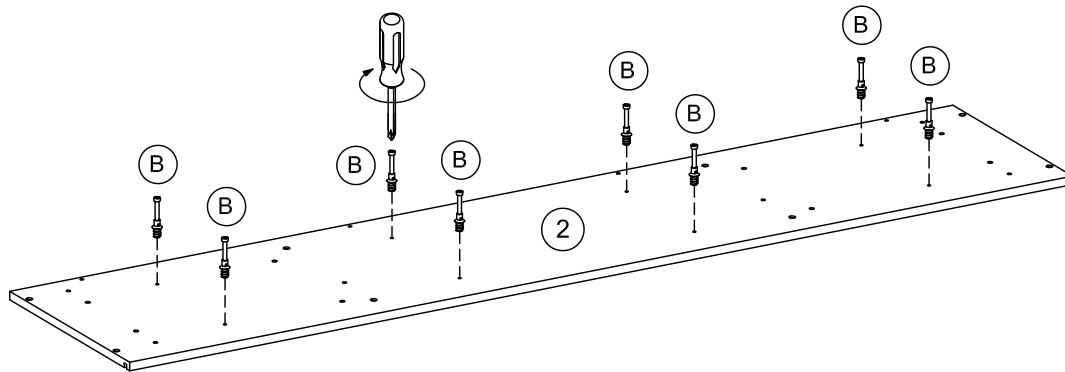


Step 1:



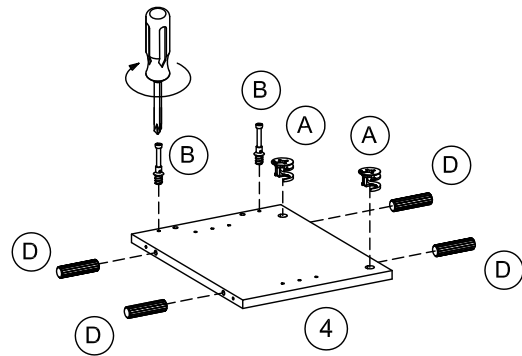
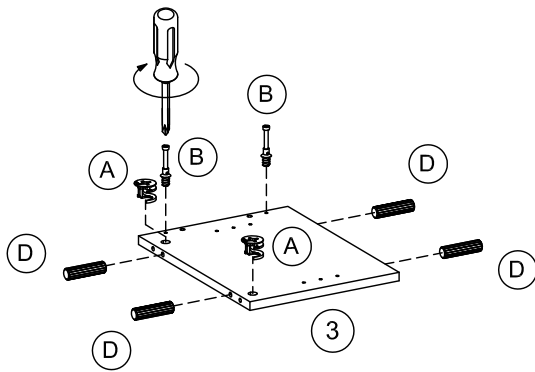
Attach cam-bolt (B) to top panel (1) using screwdriver.
Attach metal support (15) to top panel (1) using screws (J) and washer (G) as shown.

Step 2:



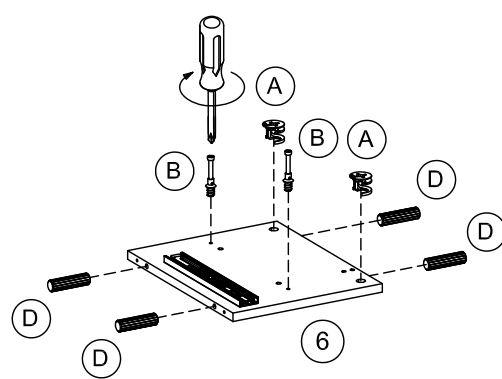
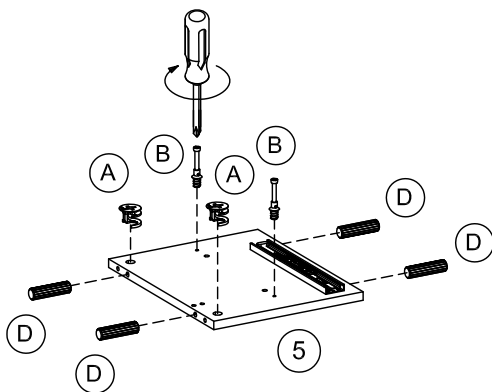
Attach cam-bolt (B) to Base panel (2) using screwdriver.

Step 3:



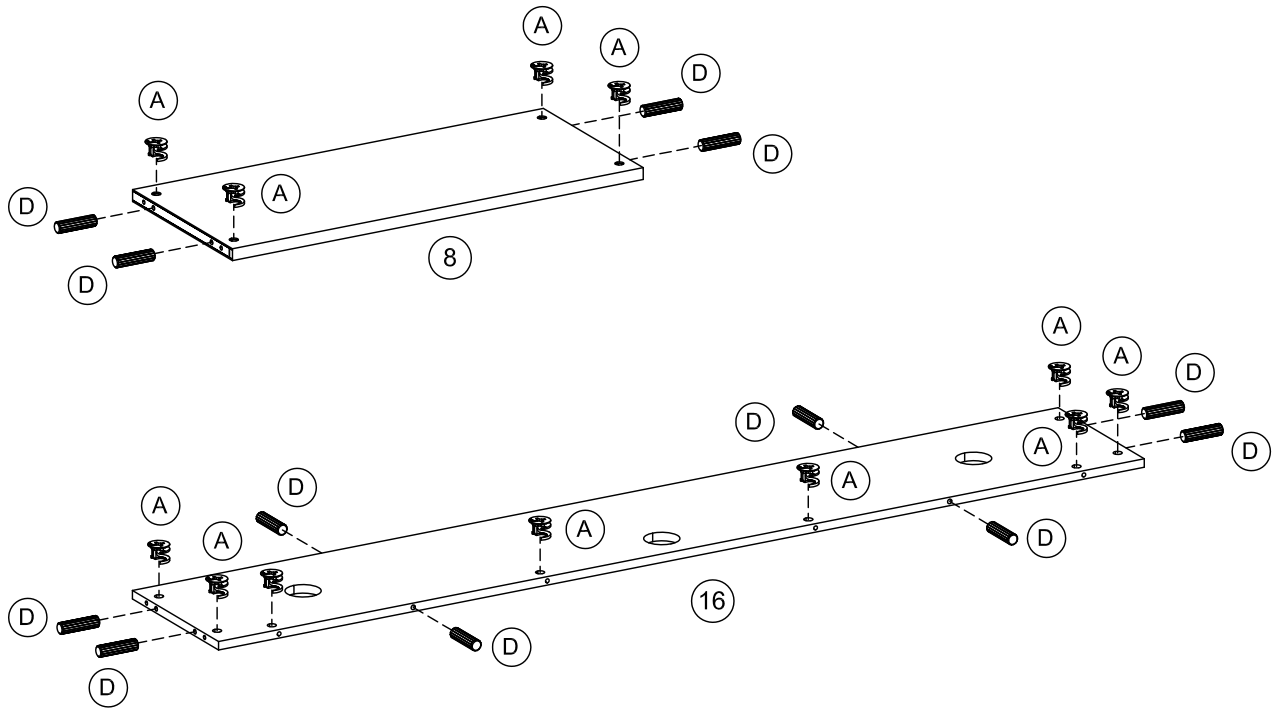
Attach cam-bolt (B) to left panel (3) and right panel (4) using screwdriver.
Insert cam-lock (A) and dowel (D) into left panel (3) and right panel (4).

Step 4:



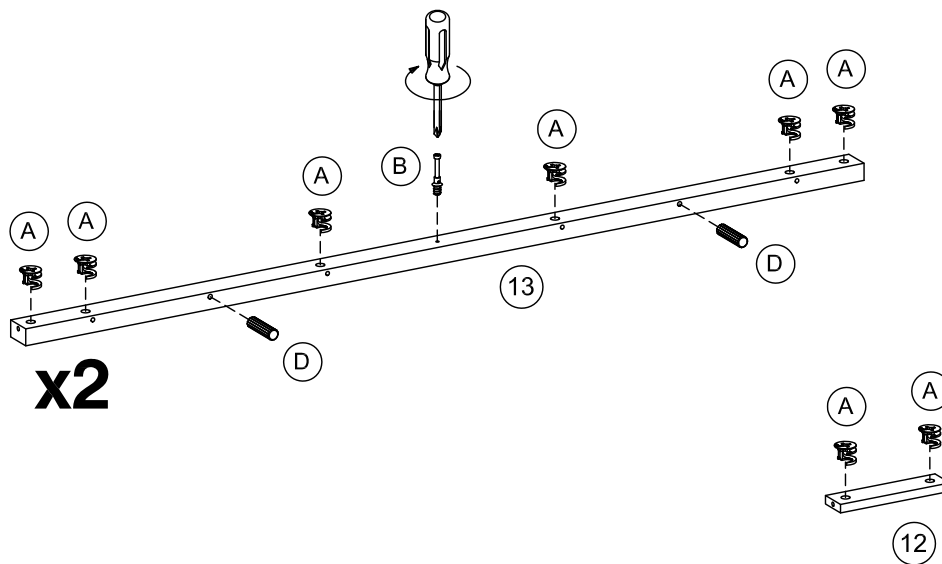
Attach cam-bolt (B) to left divider panel (5) and right divider panel (6) using screwdriver.
Insert cam-lock (A) and dowel (D) into left divider panel (5) and right divider panel (6).

Step 5:



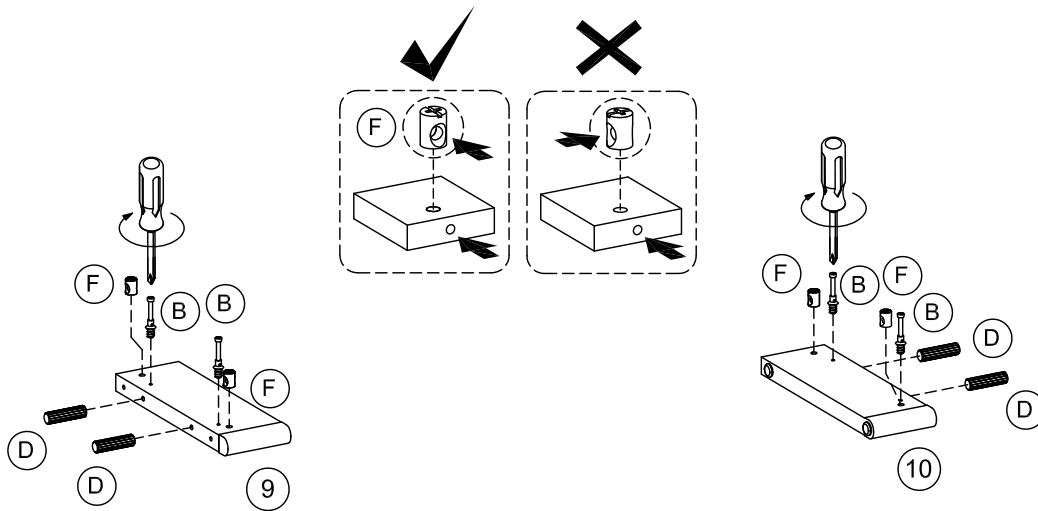
Insert cam-lock (A) and dowel (D) into middle panel (8) and rear panel (16).

Step 6:



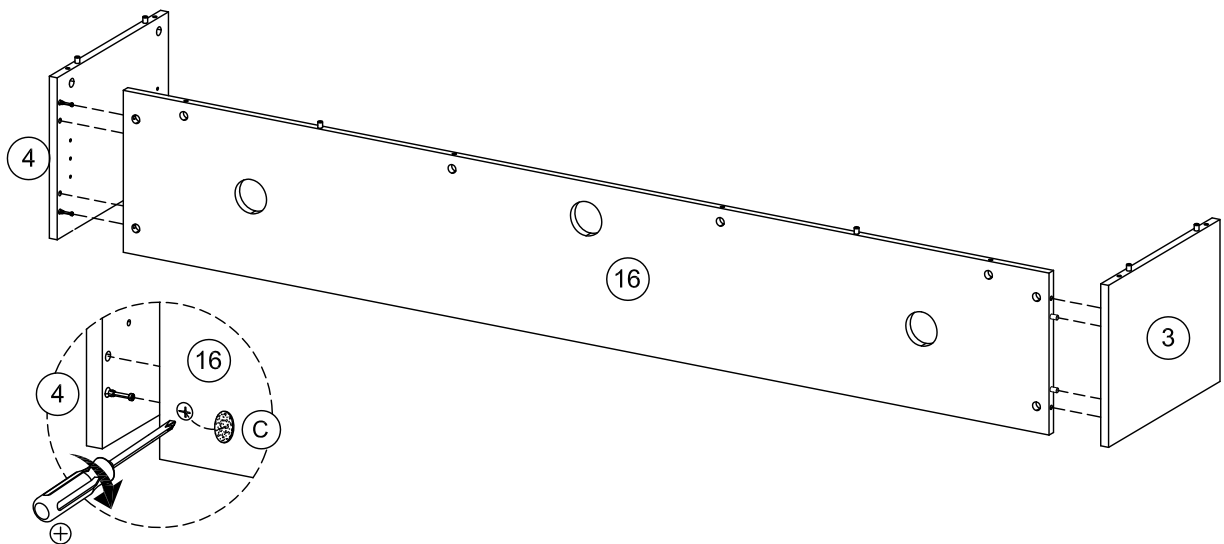
Attach cam-bolt (B) to bottom large support (13) using screwdriver.
Insert cam-lock (A) and dowel (D) into bottom large support (13).
Insert cam-lock (A) into bottom small support (12).

Step 7:



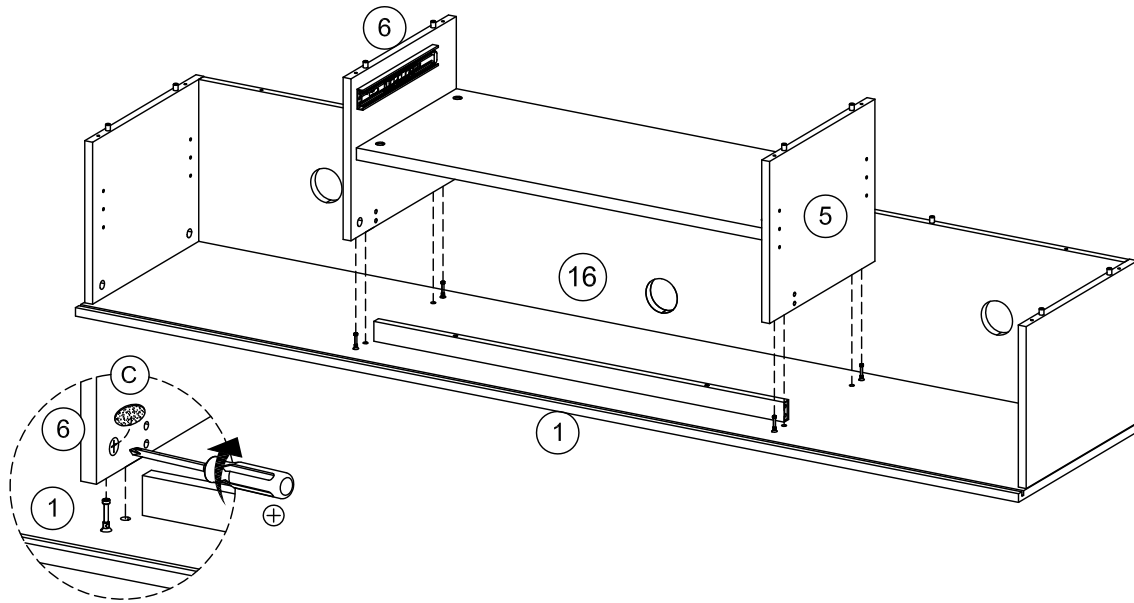
Attach cam-bolt (B) to left leg (9) and right leg (10) using screwdriver.
Insert barrel nuts (F) and dowel (D) into left leg (9) and right leg (10).

Step 8:



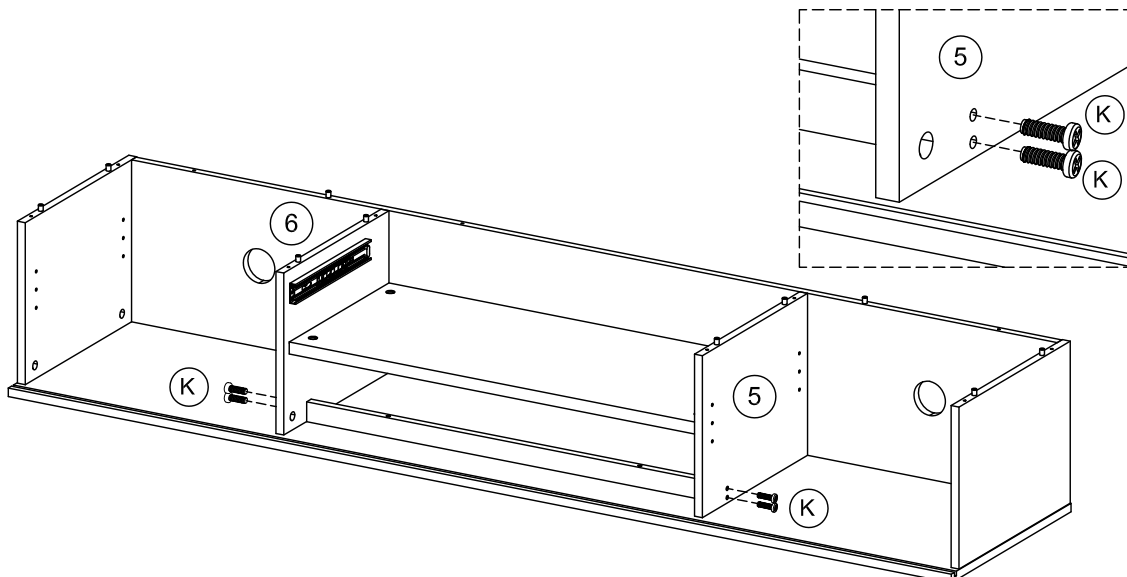
Attach left panel (3) and right panel (4) to rear panel (16) as shown.
Turn the cam-lock (A) clockwise to lock using screwdriver, then paste cam-sticker (C).

Step 11:



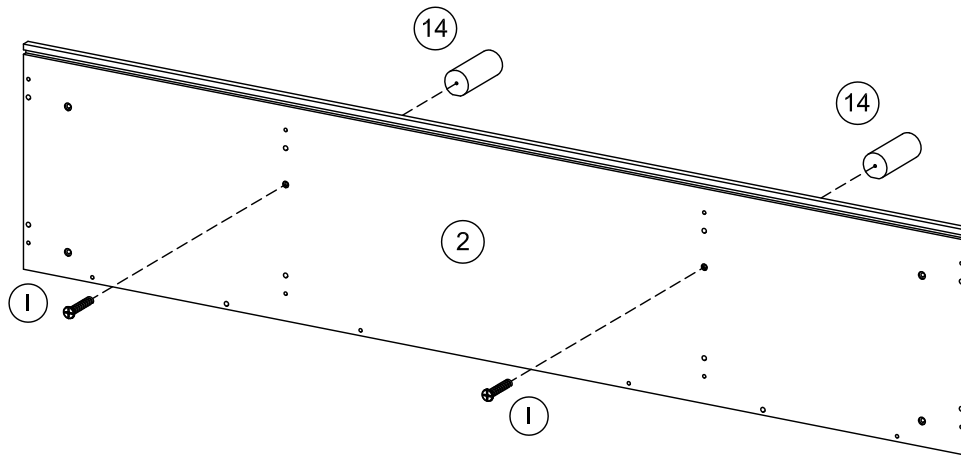
Attach assembly divider panel to the case assembly as shown.
Turn the cam-lock (A) clockwise to lock using screwdriver, then paste cam-sticker (C).

Step 12:



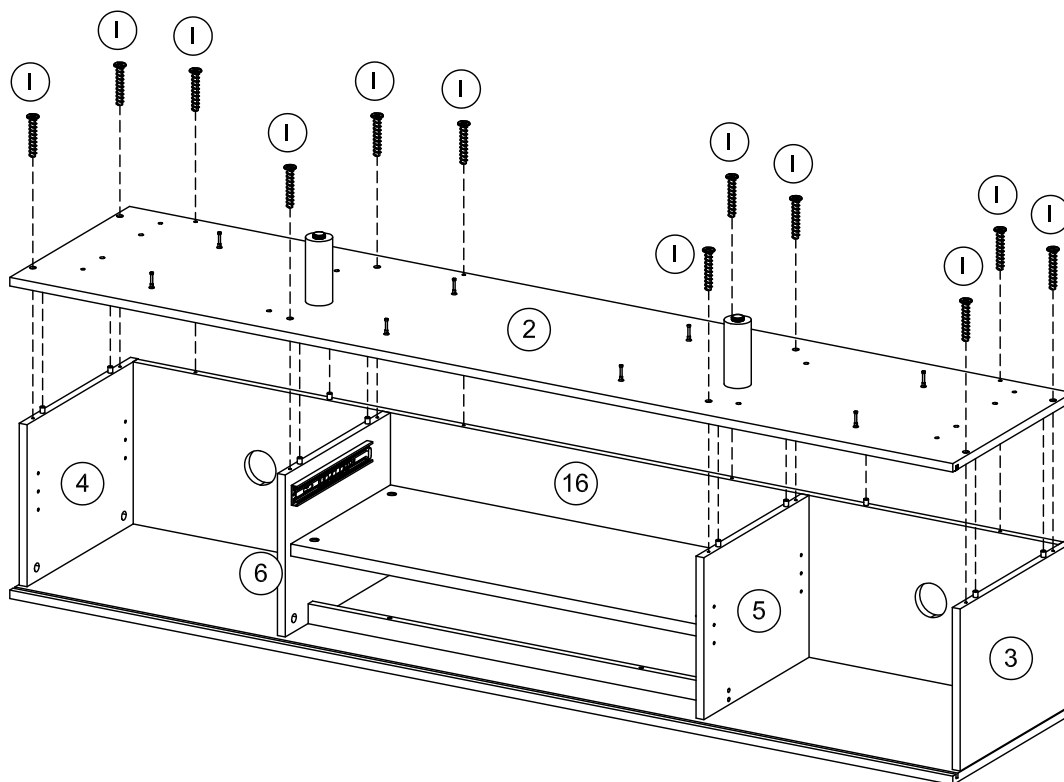
Tighten the metal support with divider panel using screws (K).

Step 13:



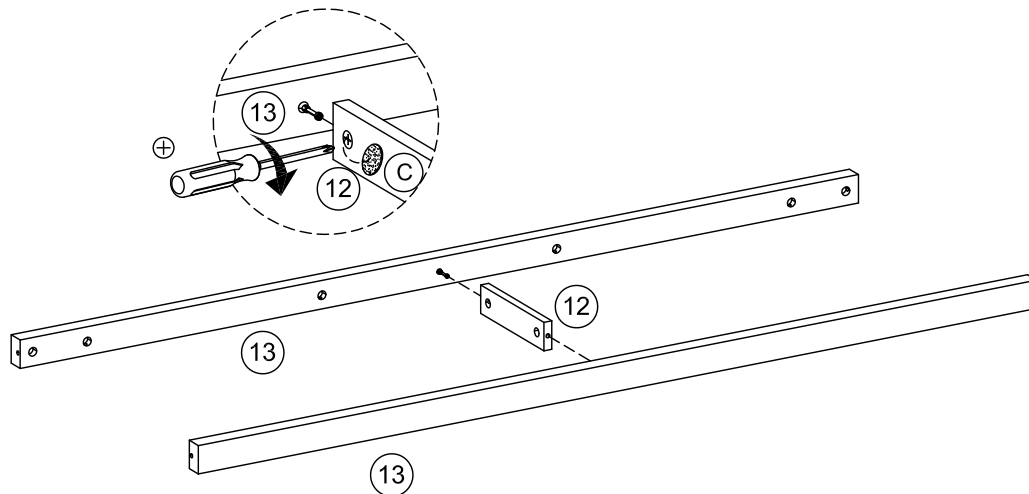
Attach leg (14) to base panel (2) using screws (1).

Step 14:



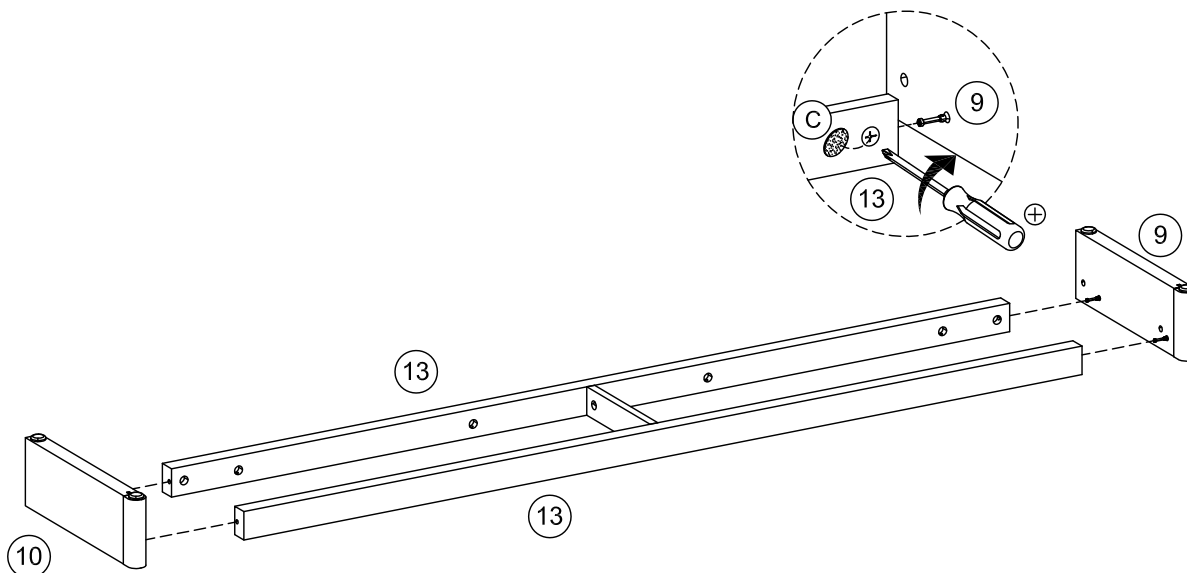
Attach bottom assembly to the case assembly using screws (1) as shown.

Step 15:



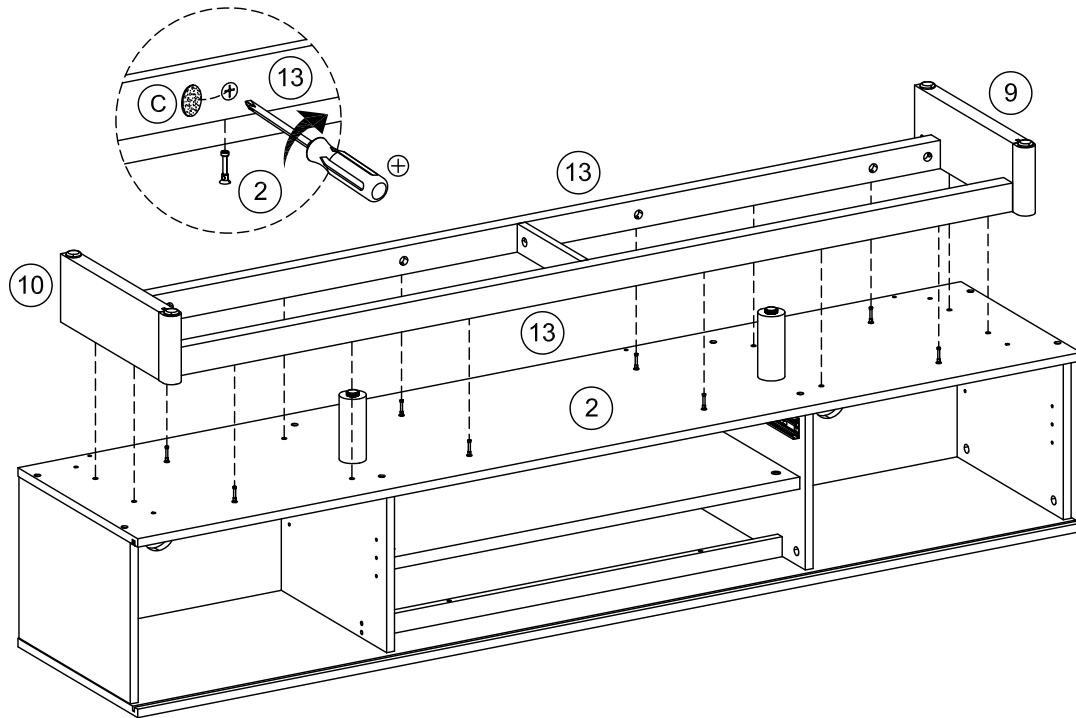
Attach bottom large support (13) to bottom small support (12) as shown.
Turn the cam-lock (A) clockwise to lock using screwdriver, then paste cam-sticker (C).

Step 16:



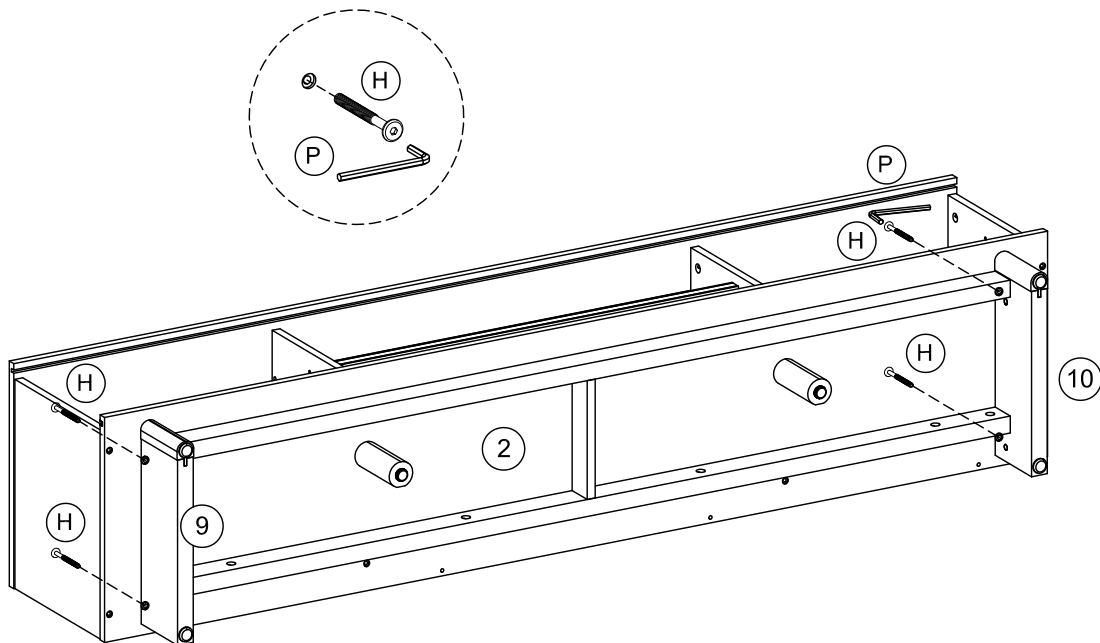
Attach left leg (9) and right leg (10) to bottom large support (13) as shown.
Turn the cam-lock (A) clockwise to lock using screwdriver, then paste cam-sticker (C).

Step 17:



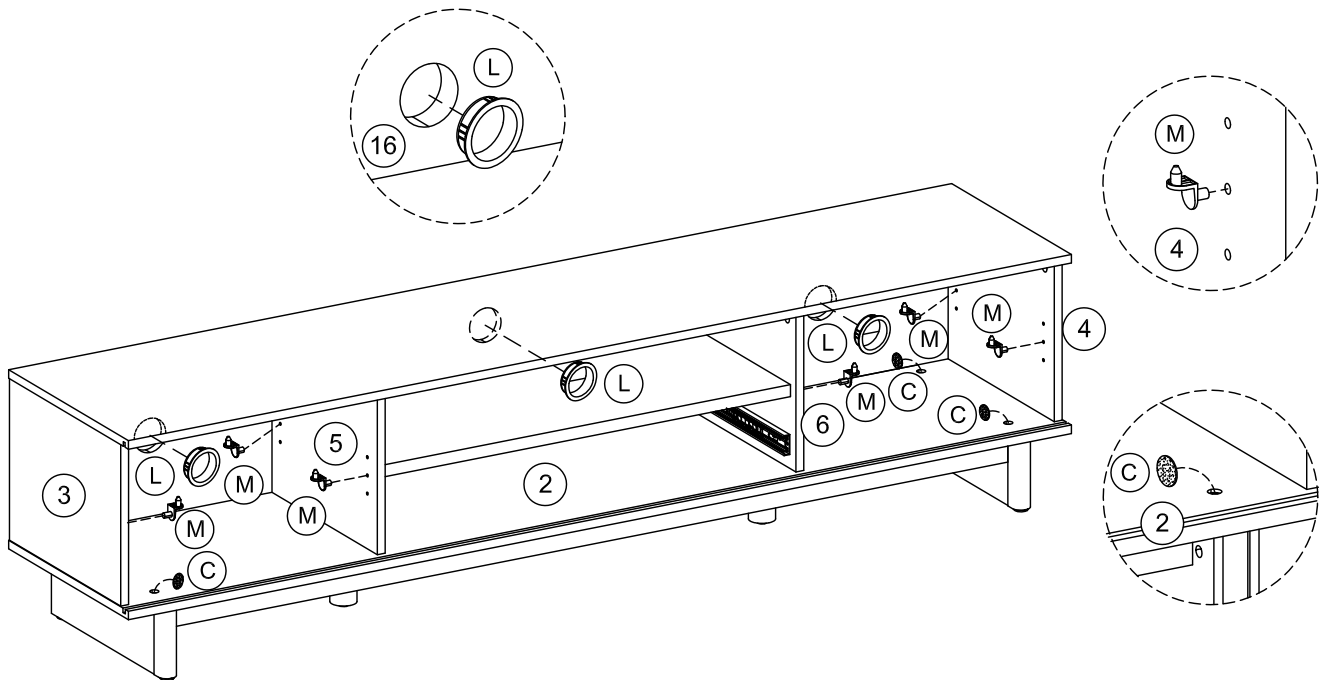
Attach assembly bottom support to base panel (2) as shown.
Turn the cam-lock (A) clockwise to lock using screwdriver, then paste cam-sticker (C).

Step 18:



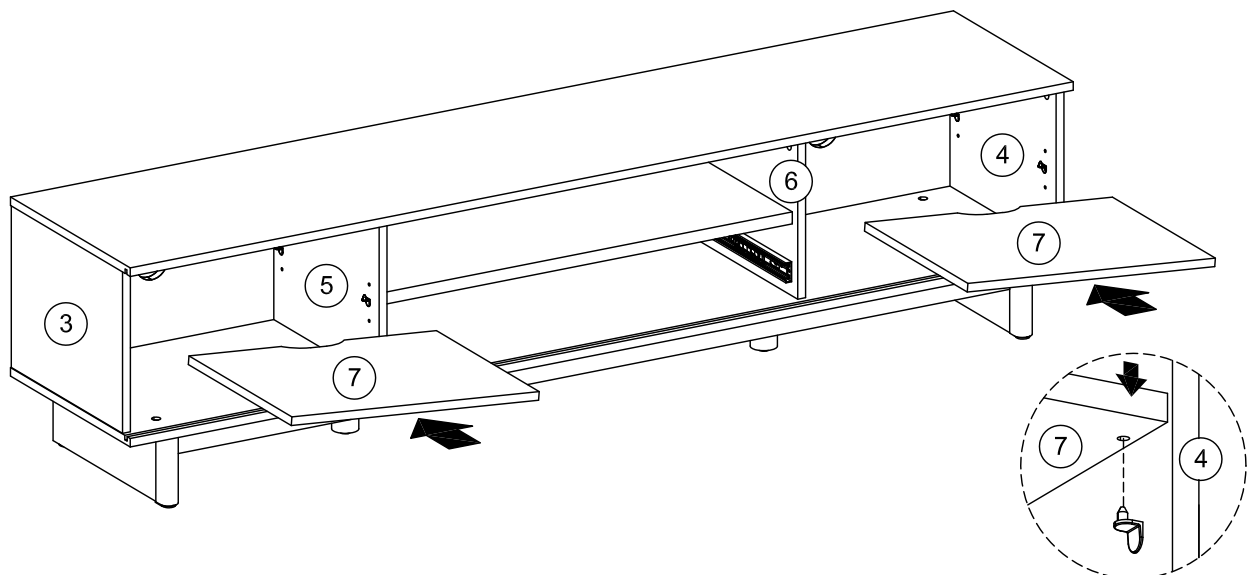
Tighten assembly bottom support with base panel (2) using screws (H) and allen key (P).

Step 19:



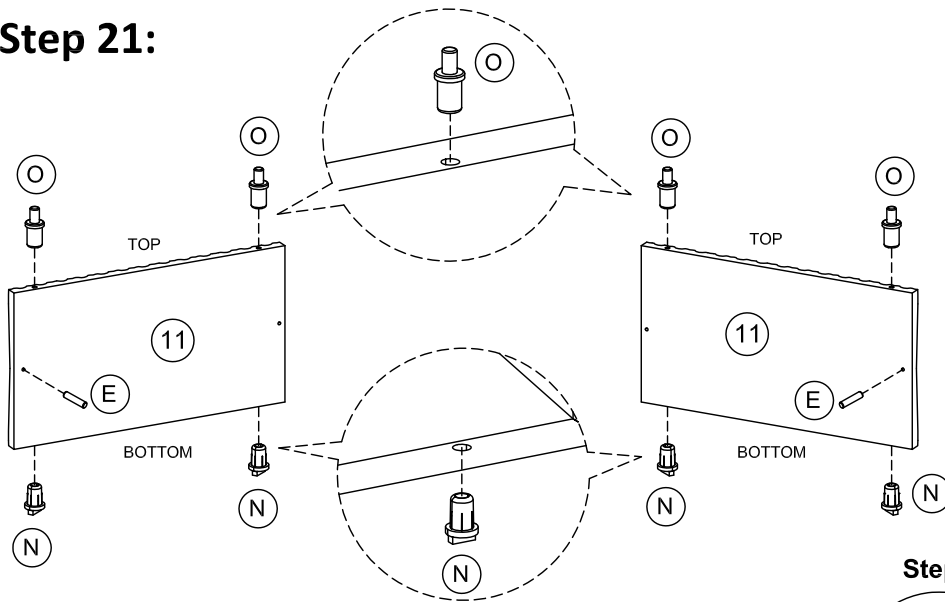
Insert cable holder (L) and shelf support (M) into case assembly as shown.
Paste cam-sticker (C) to base panel hole as shown.

Step 20:



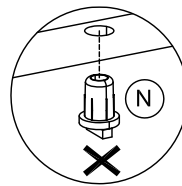
Insert adjustable shelf (7) into case assembly as shown.

Step 21:

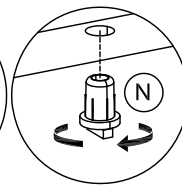


Insert push pin (O) into top of the door (11) and fix pin (N) into bottom of the door (11). insert door holder (E) into the door (11) as shown.

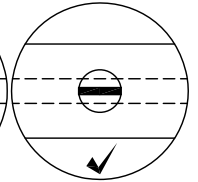
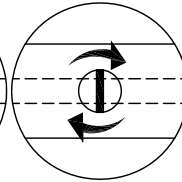
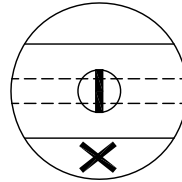
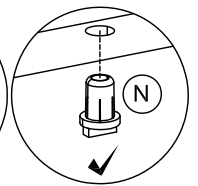
Step 1



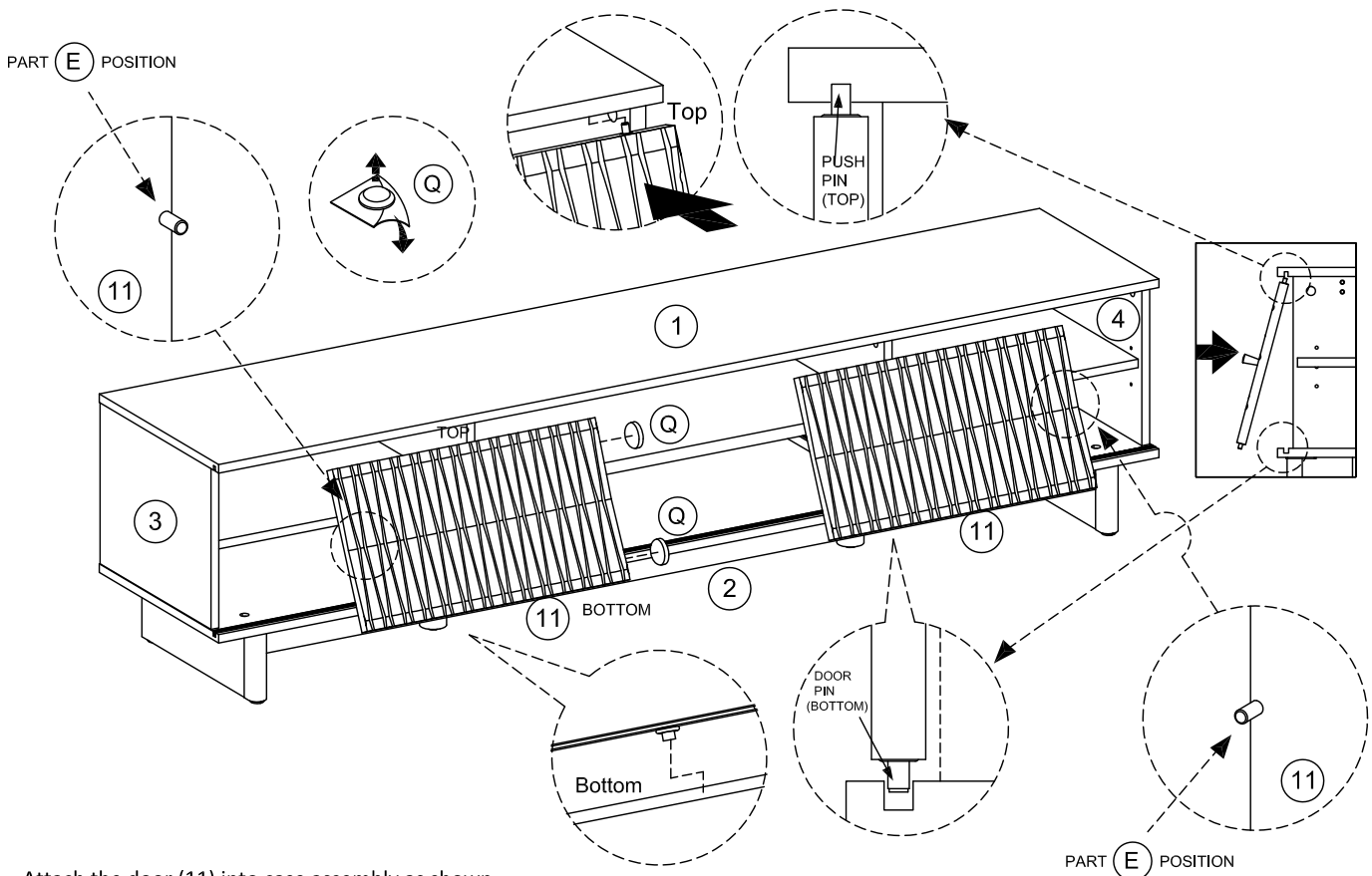
Step 2



Step 3

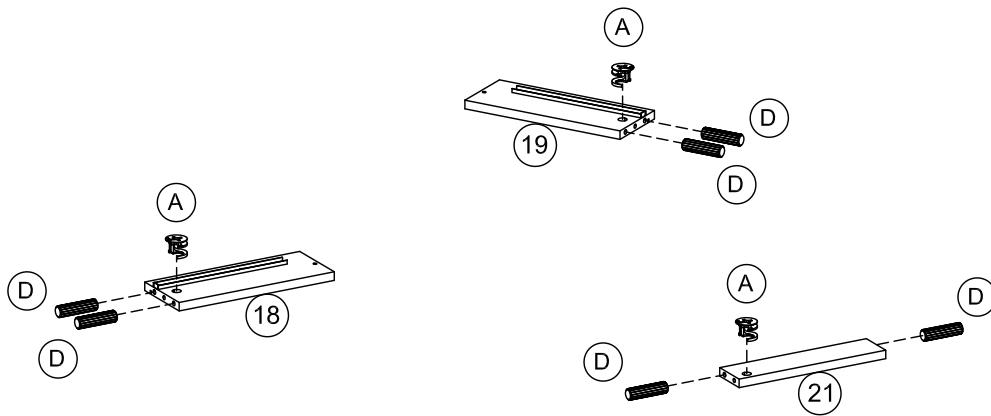


Step 22:



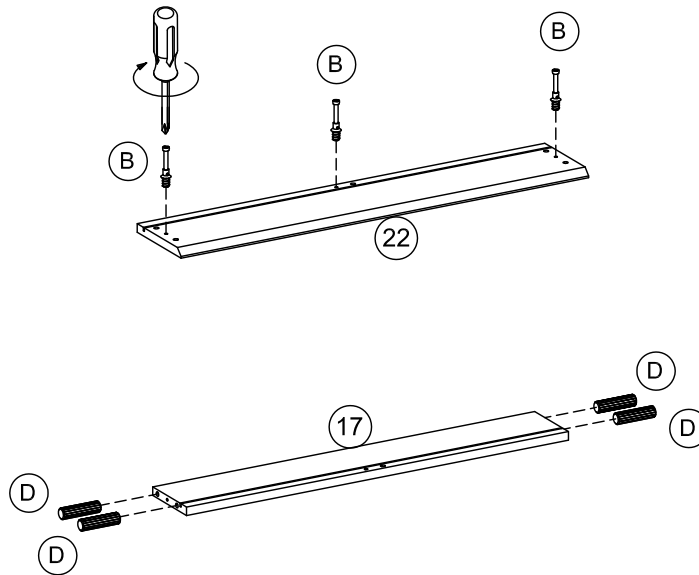
Attach the door (11) into case assembly as shown.
Paste door buffer (Q) on the edge of the door (11) as shown.

Step 23:



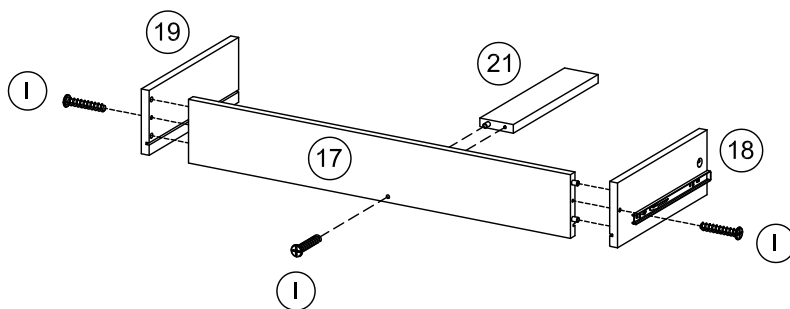
Insert cam-lock (A) and dowel (D) into left drawer (18), right drawer (19) and bottom support drawer (21)..

Step 24:



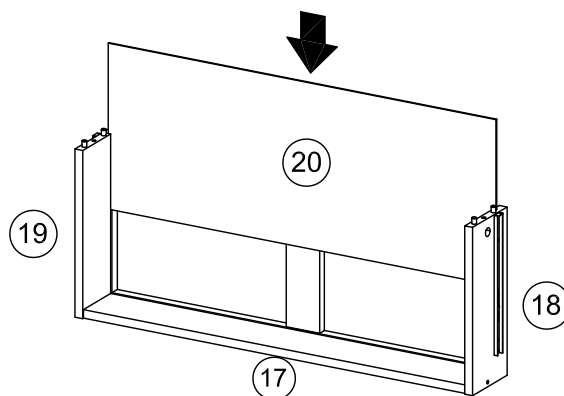
Attach cam-bolt (B) to front drawer (22) using screwdriver.
Insert dowel (D) into rear drawer (17) as shown.

Step 25:



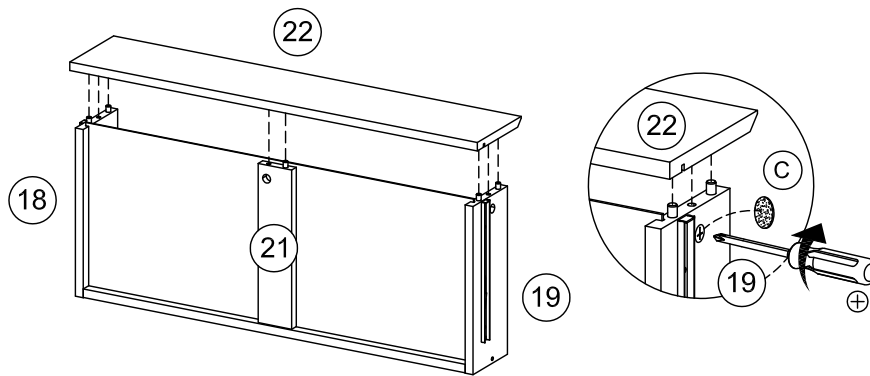
Attach left drawer (18), right drawer (19) and bottom support drawer (21) to rear drawer (17) using screws (I).

Step 26:



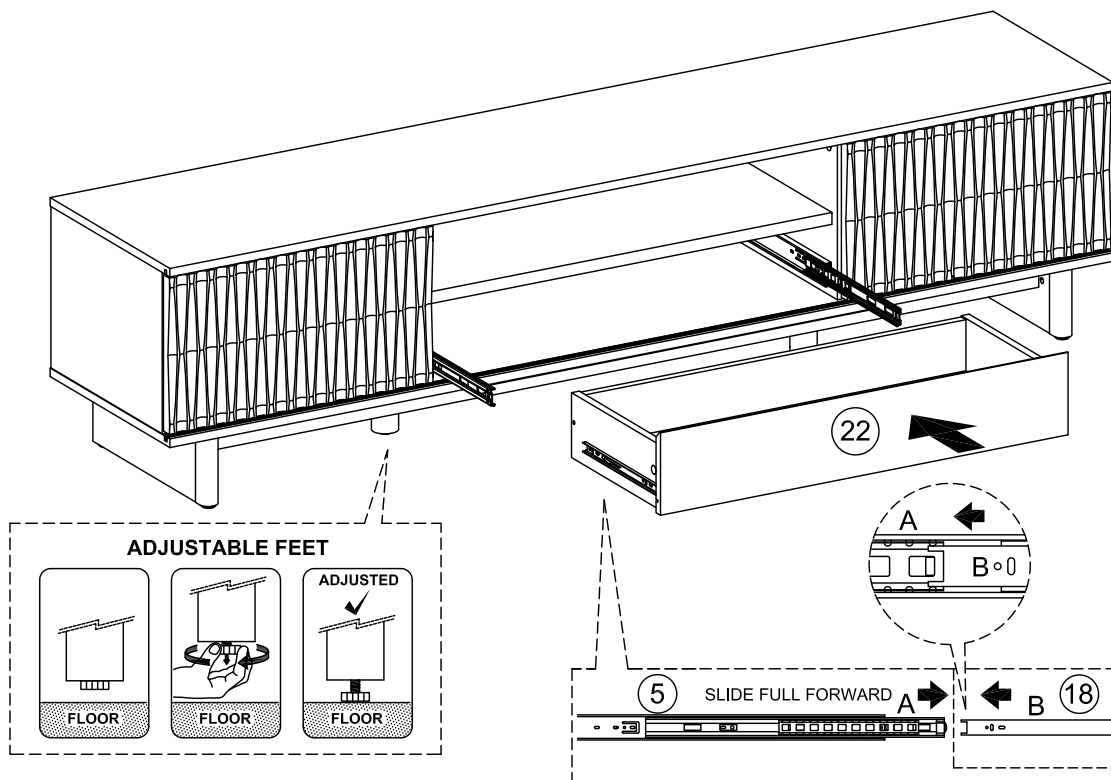
Insert Bottom drawer (20) to the drawer assembly as shown.

Step 27:



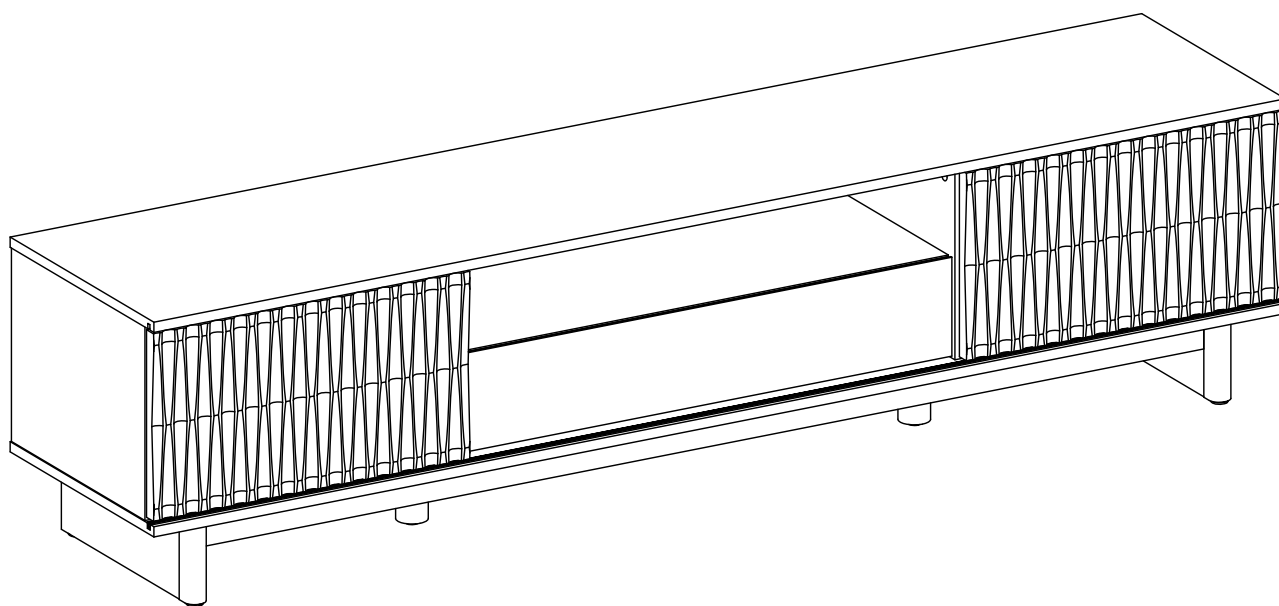
Attach front drawer (22) to the drawer assembly as shown.
Turn the cam-lock (A) clockwise to lock using screwdriver, then paste cam-sticker (C).

Step 28:



Insert the drawer into case assembly as shown.
Adjust the leg until flat with floor.

Step 29:



Assembly is complete.

Care and Maintenance of your furniture

- Please periodically check all fittings and re-tighten as necessary.
- To clean your item, please use a damp cloth and wipe clean.
- Please do not drag or pull your furniture.
- Please do not place hot items (e.g. hot drinks) directly on to the wood surfaces.
- Never allow any kind of liquid to remain on your furniture. Absorption can cause wood to warp or finishes to de-laminate.