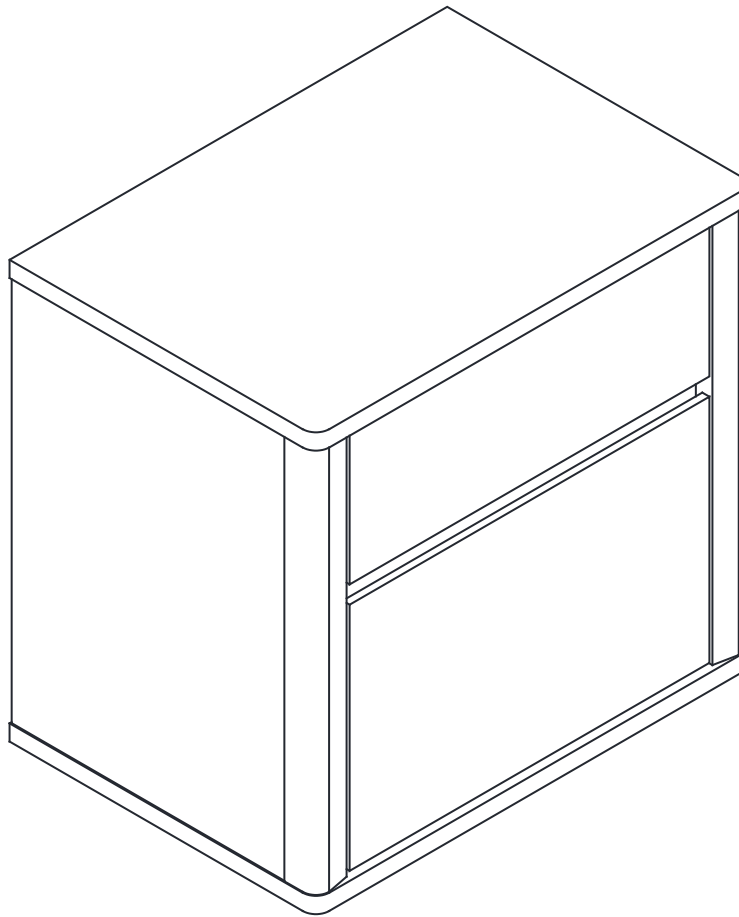


Malik

Wide 2 Drawer Bedside

INSTRUCTIONS



Dunelm

www.dunelm.com

Thank you

Dear Customer

Thank you for purchasing your new piece of furniture from Dunelm. We put a lot of effort in the design and construction of our products to ensure they set the standard for quality, durability and ease of assembly.

If for any reason you feel we haven't lived up to the high standards we set ourselves, please don't hesitate in contacting us on 03451 656565 where our team will be very keen to understand what has gone wrong and, more importantly, put it right.

The next step...

There is no need to feel daunted by the number of parts and fitting sin front of you, we have compiled this straight forward, step-by-step guide to make sure that assembling your furniture is as easy as 1, 2, 3. Before you begin, we advise that you check that you have everything you need to get started.

Top tip

Find a space to spread everything out across the floor before you begin assembling the item. Lay each panel down on a clean and level area, ideally in the room of intended use, ensuring there is enough room to manoeuvre around the item. It is recommended that two people assemble this product together. The full list of furniture parts, fixtures and fittings, as well as the tools you will need for assembly can be found on page 2 and 3 of this manual.

Top tip

Identify all of the fittings, make sure that you have them all prepared and familiarise yourself with each component, to make things easier when you are putting it all together.

Safety and care advice

IMPORTANT - The first step you need to take is to ensure your safety! Please take the time to read and understand these instructions before assembling your furniture.

Please keep these instructions for future reference.

Keep children and animals away from the assembly area. This furniture contains small parts that could cause choking if swallowed.

Keep all plastic wrapping materials away from babies and children to avoid danger of suffocation.

Ensure that all packaging is disposed of carefully and responsibly.

From time to time check that there are no loose fittings on the unit, re-tighten when necessary.

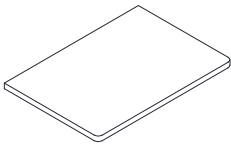
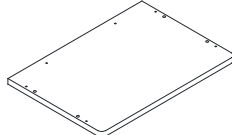
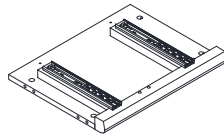
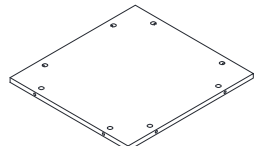

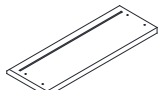
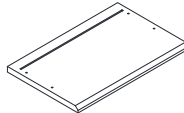
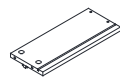
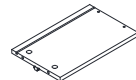
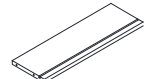
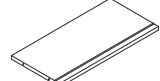
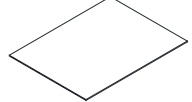
Two people may be required for the assembly of this product.

Once items are part or fully assembled they are not returnable unless faulty.








This item is not for outdoor use - unless stated otherwise.

Some items will be supplied with a wall fixing strap, which we recommend is used to secure the item to the wall, to prevent a child from accidentally pulling furniture over. Furniture can be dangerous if incorrectly installed. Assembly should be carried out by a competent person. No liability will be accepted for damage or injury caused by incorrectly installed or assembled furniture.

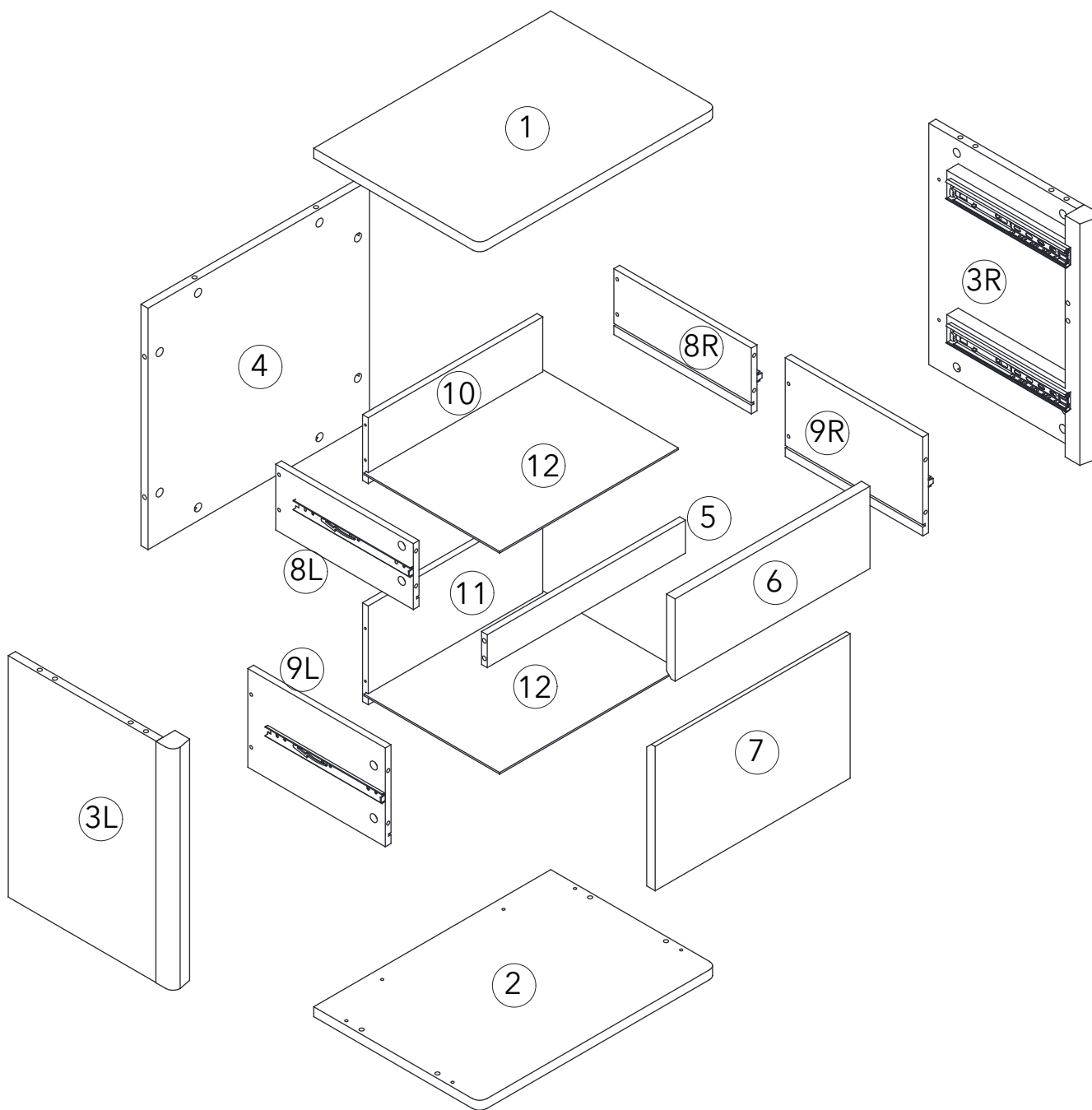
Component parts supplied

Ref	Dimensions	Visual	Qty
1	500x350x18		1
2	500x350x42		1
3	440x348x41		2
4	467x440x15		1
5	416x60x12		1
6	410x150x18		1
7	410x263x18		1
8	290x120x12		2
9	290x180x12		2
10	366x120x12		1
11	366x180x12		1
12	376x287x3		2

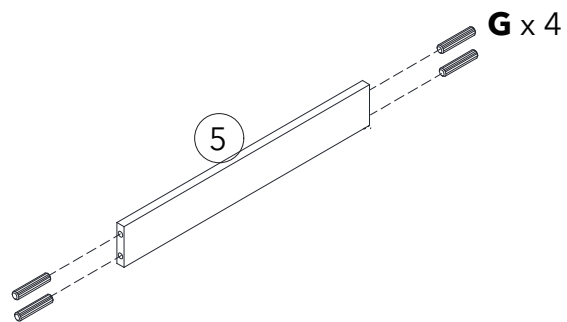
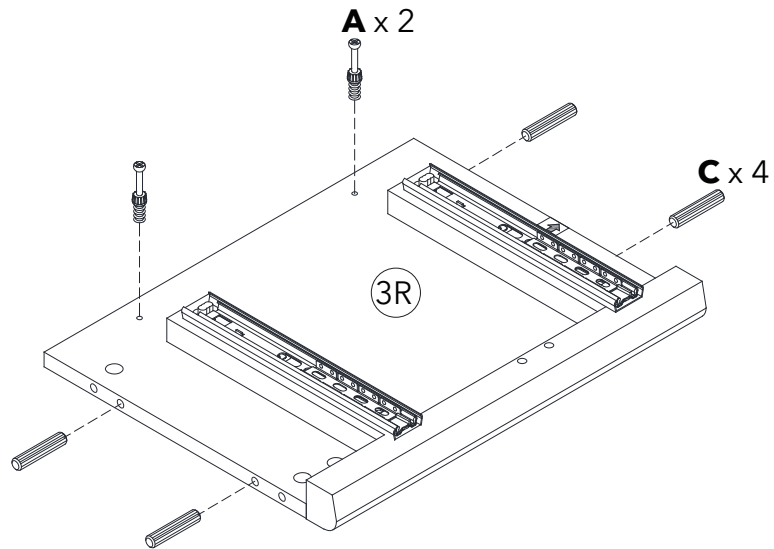
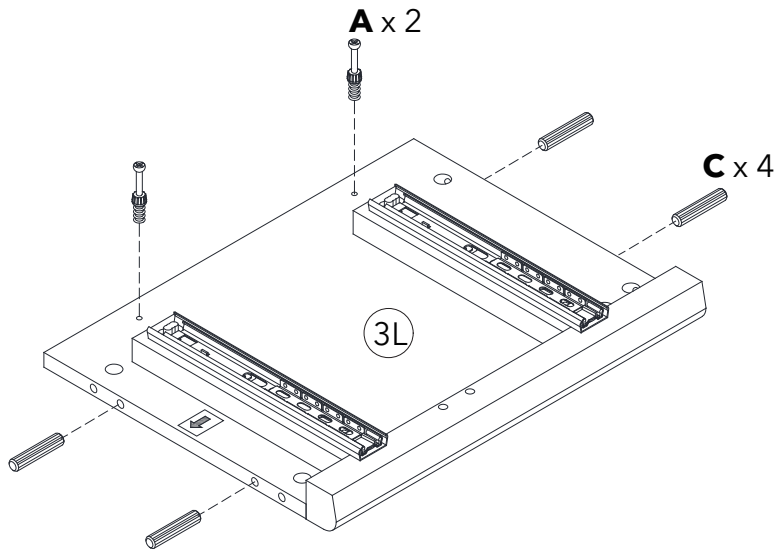
Parts and fittings

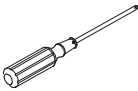




								
A	M5x33mm	24pcs	B	Ø15x12	16pcs	C	Ø8x30	8pcs
								
D	Ø15x10	8pcs	E	Ø4x40mm	8pcs	F	Ø25x1mm	8pcs
								
G	Ø6x30mm	4pcs						

Exploded view

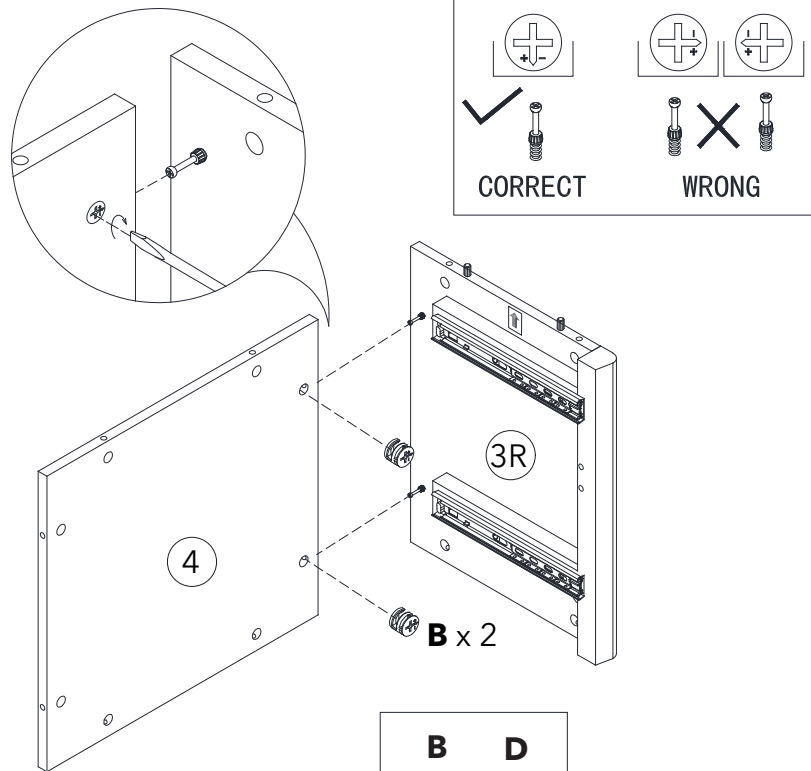


Step 1:

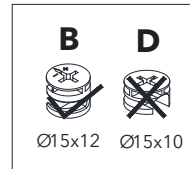
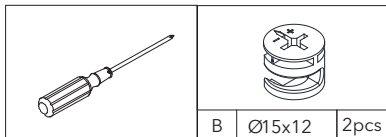


			
A	M5x33	4pcs	
			
C	Ø8x30	8pcs	G Ø6x30 4pcs

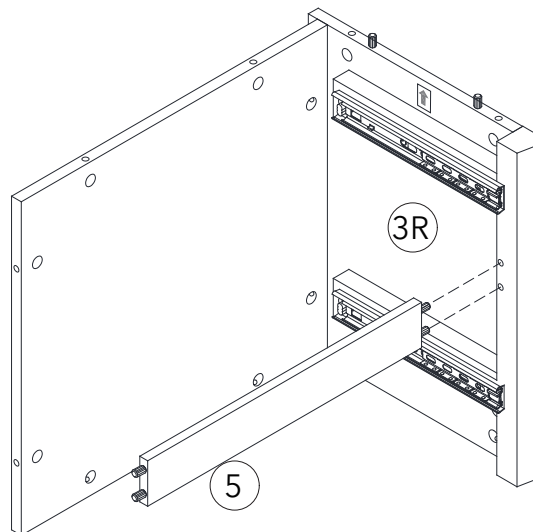
Step 2:



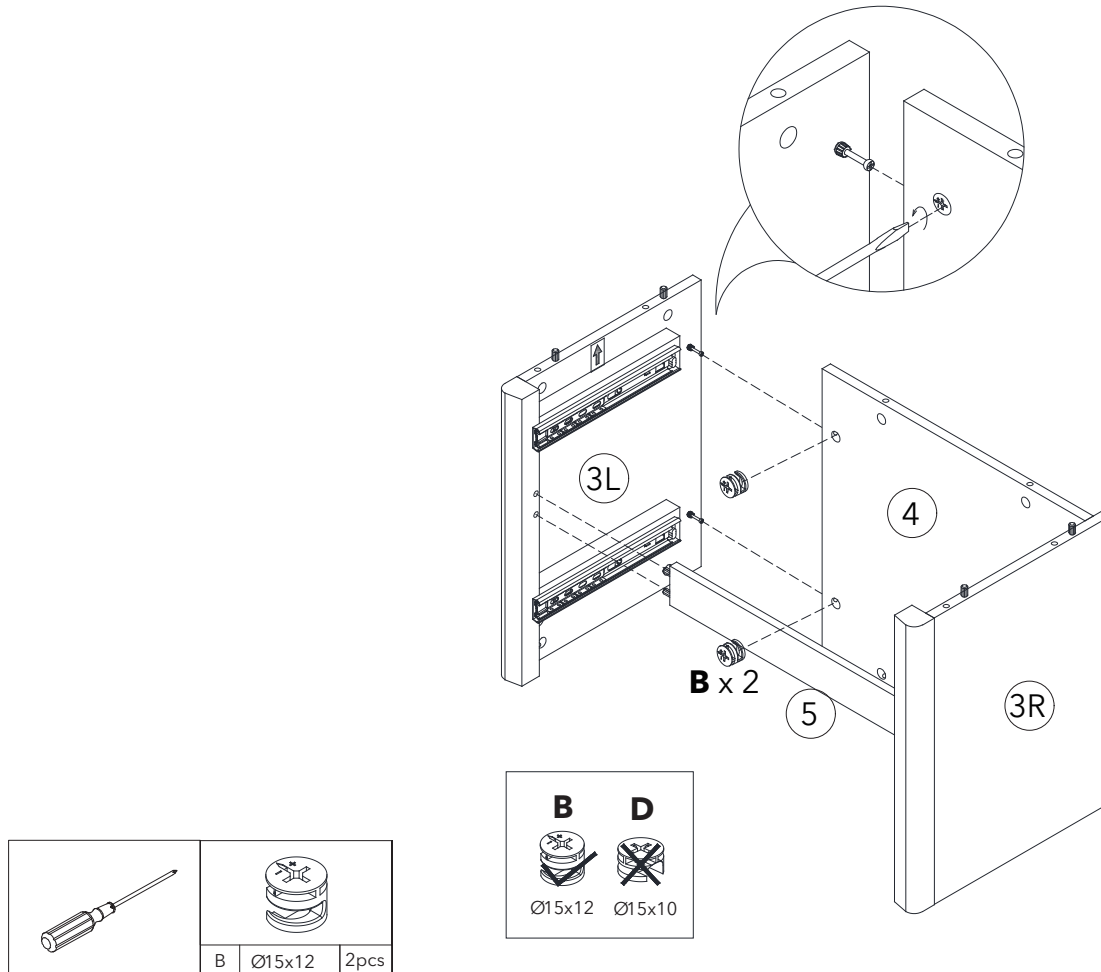
Please note that the locking cam faces outwards.



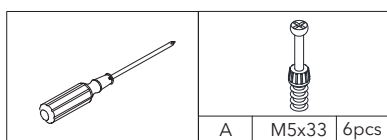
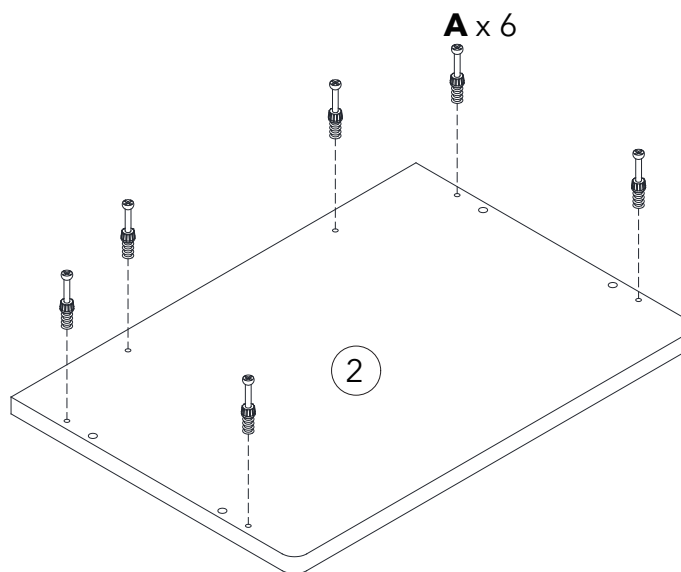
Step 3:



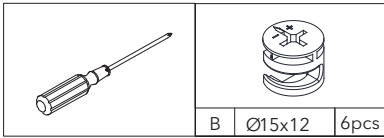
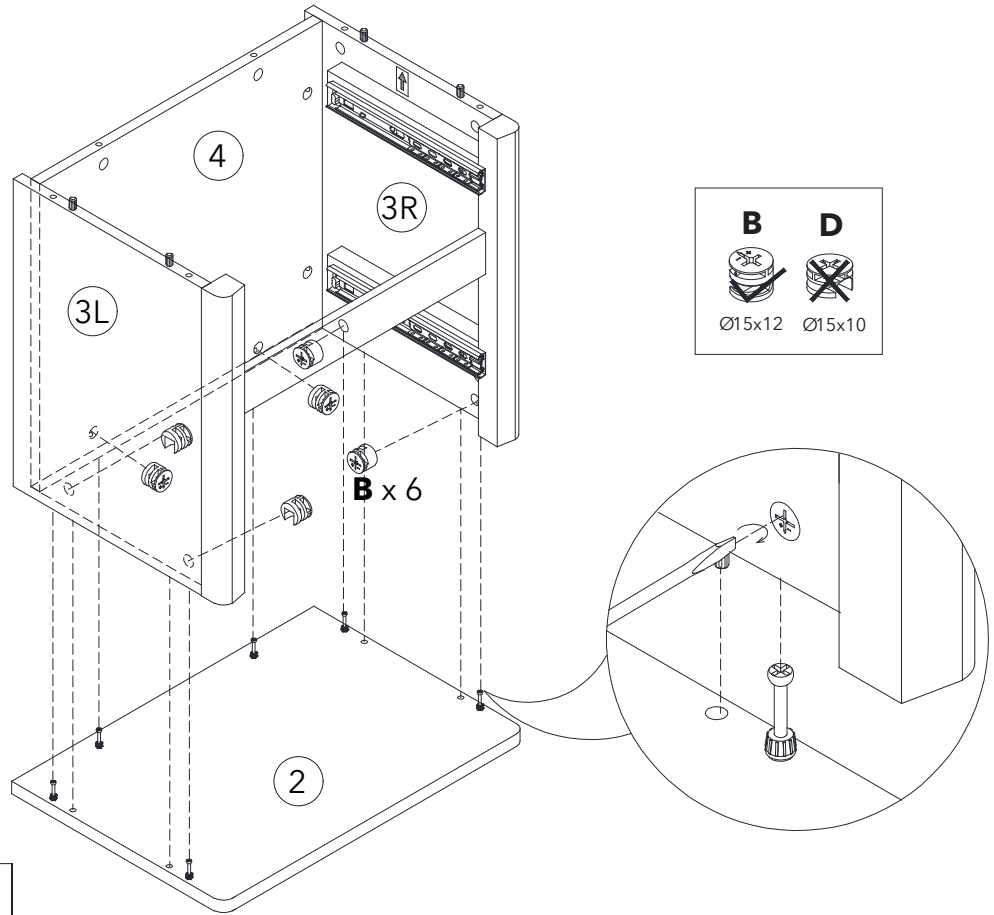
Step 4:



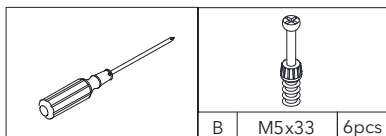
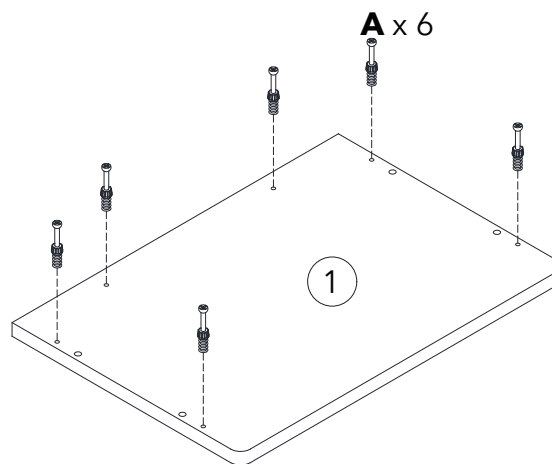
Step 5:



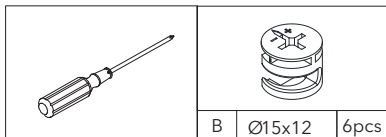
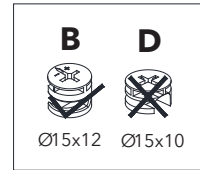
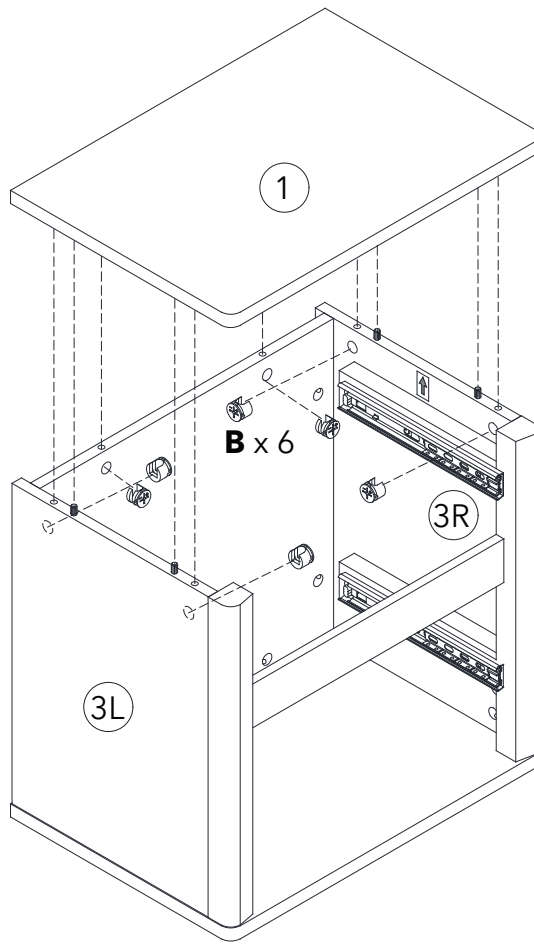
Step 6:



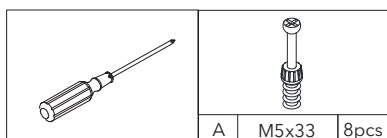
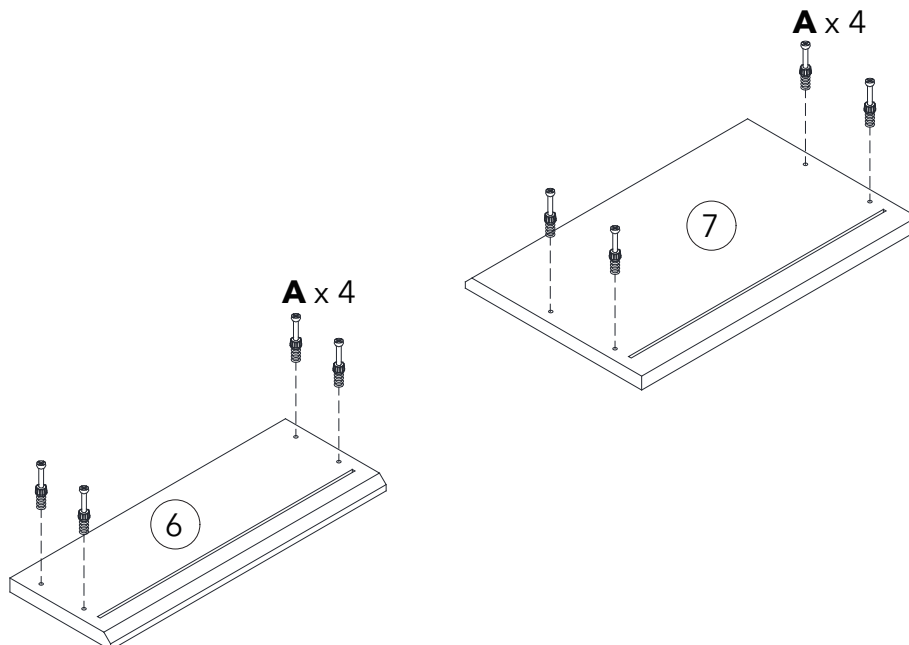
Step 7:



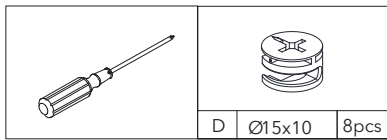
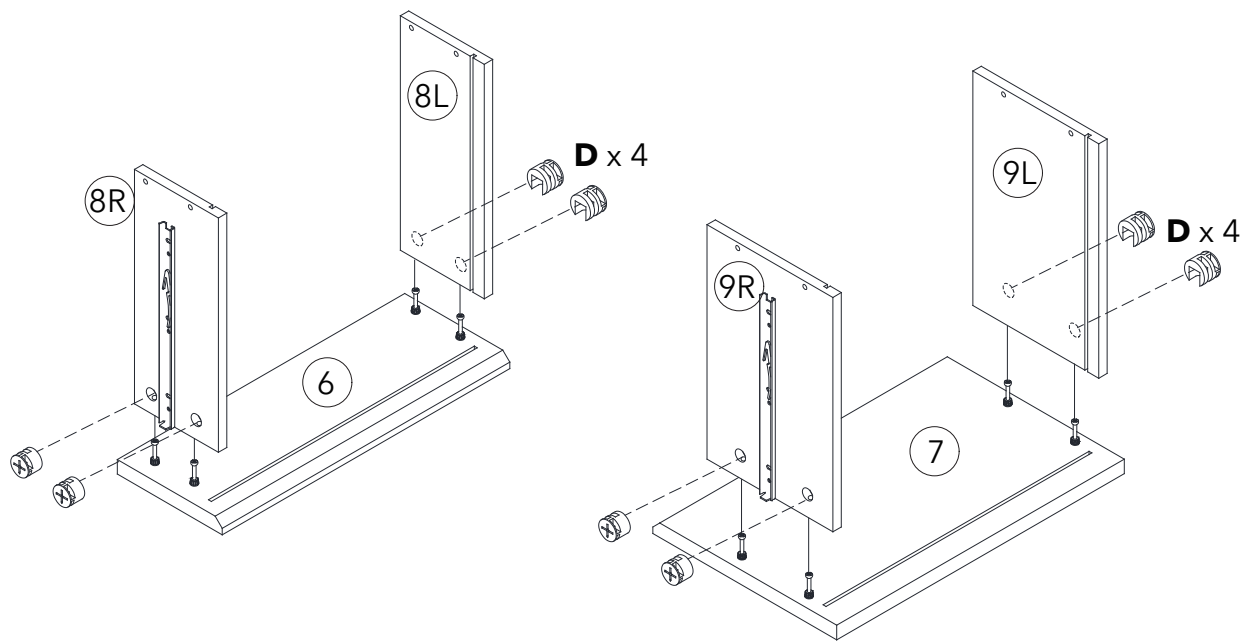
Step 8:



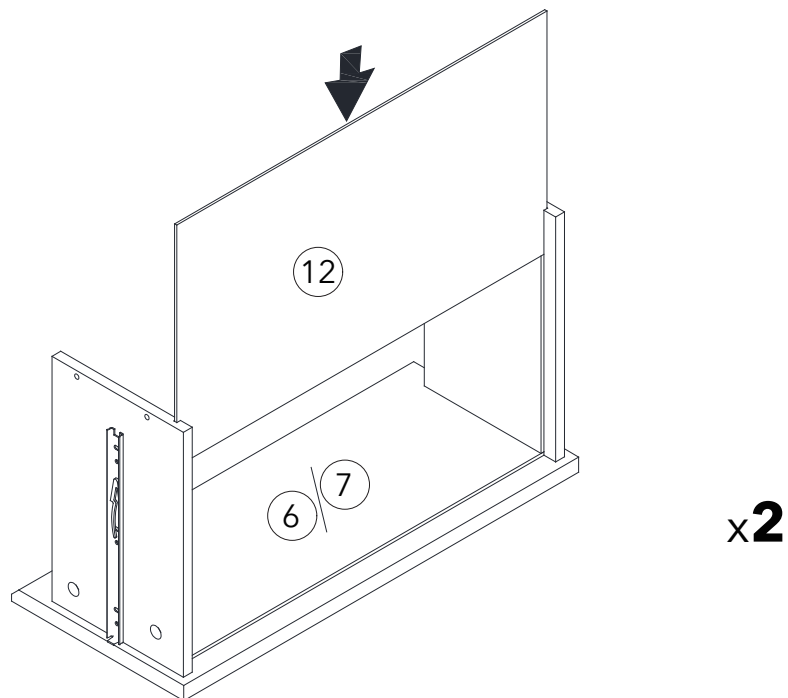
Step 9:



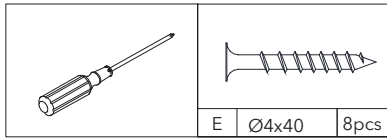
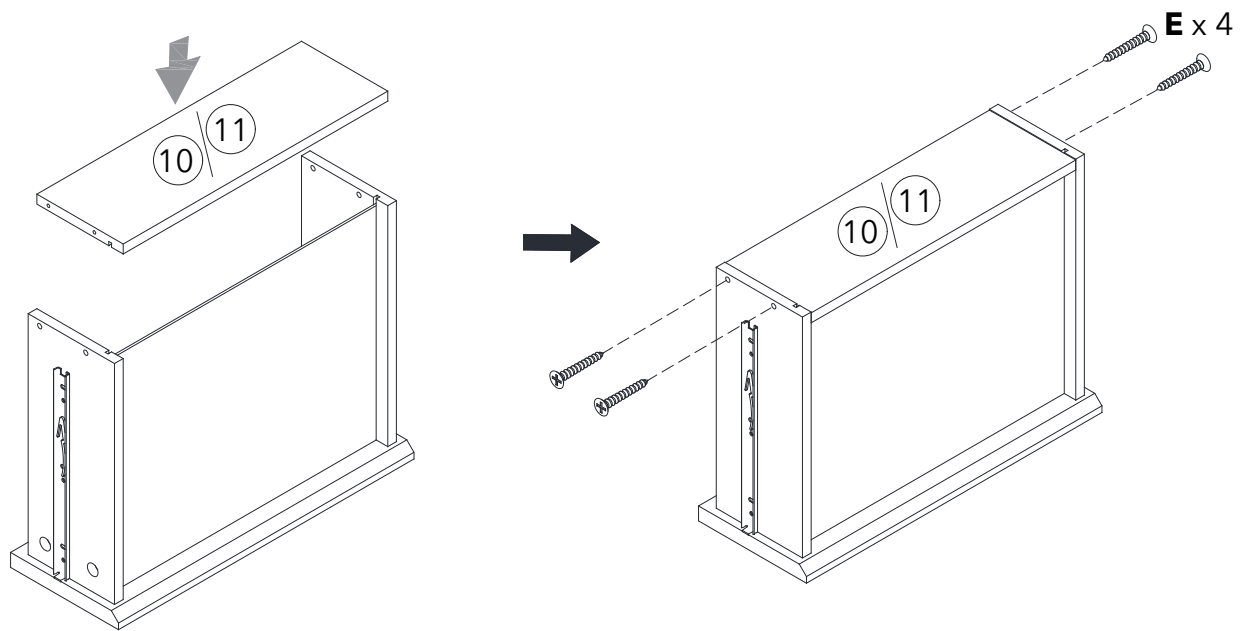
Step 10:



Step 11:

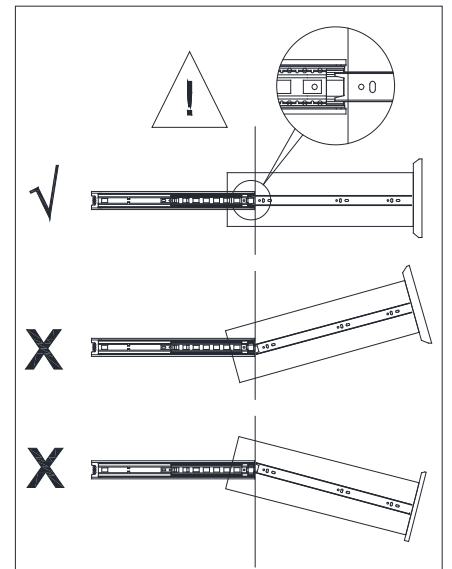
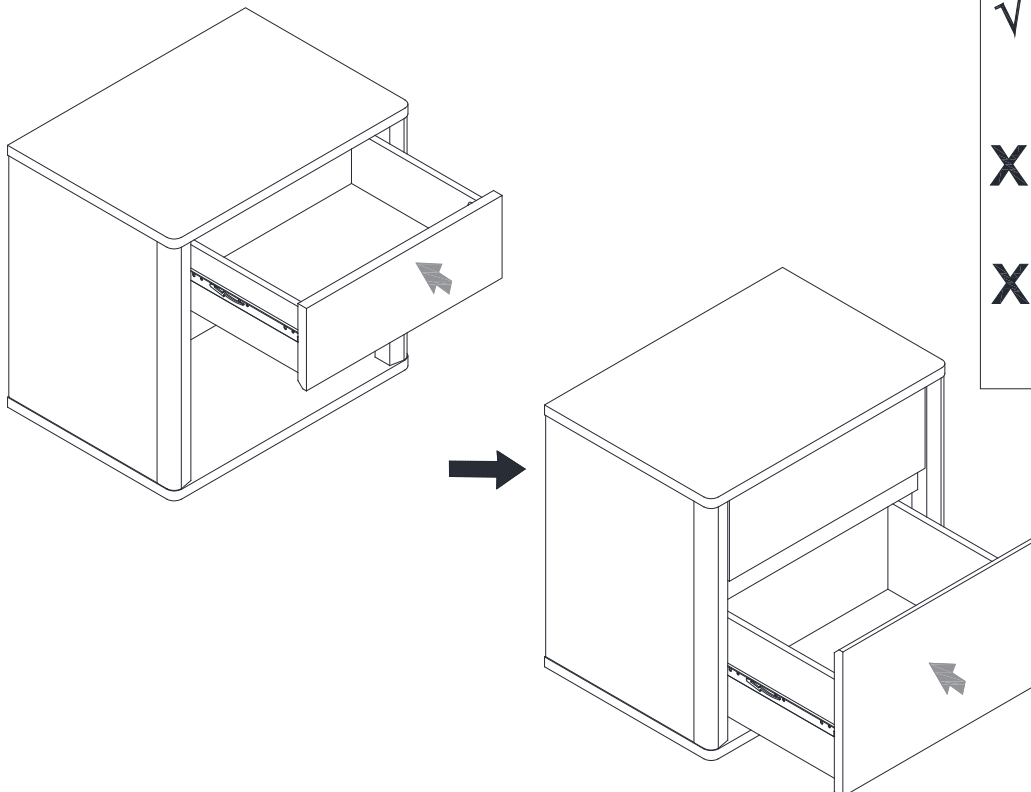


Step 12:

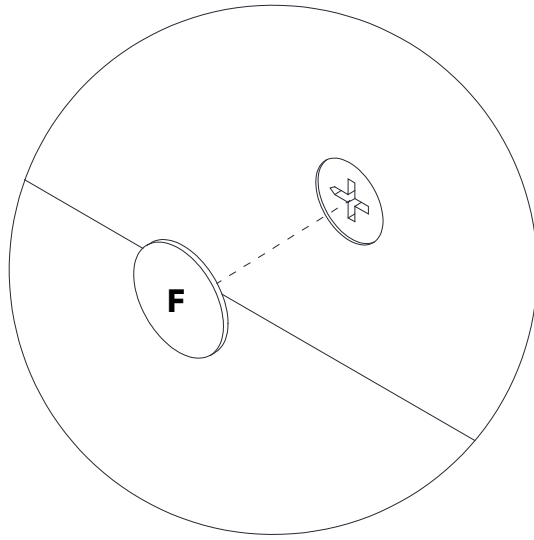


x2

Step 13:



Step 14:



Add the screw covers for those visible cams

