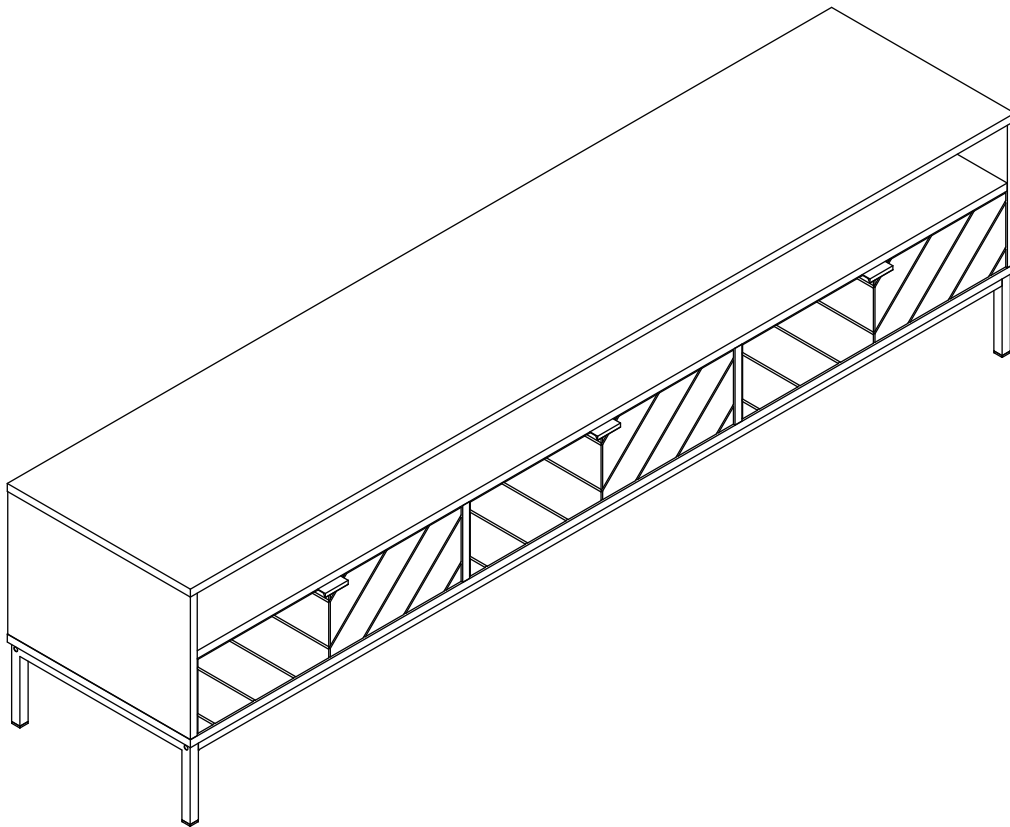


Nixon Extra Wide TV Unit

INSTRUCTIONS



Dunelm

www.dunelm.com

Thank You

Dear Customer

Thank you for purchasing your new piece of furniture from Dunelm. We put a lot of effort in the design and construction of our products to ensure they set the standard for quality, durability and ease of assembly.

If for any reason you feel we haven't lived up to the high standards we set ourselves, please don't hesitate in contacting us on **03451 656565** where our team will be very keen to understand what has gone wrong and, more importantly, put it right.

The next step...

There is no need to feel daunted by the number of parts and fittings in front of you, we have compiled this straight forward, step-by-step guide to make sure that assembling your furniture is as easy as 1, 2, 3.

Before you begin, we advise that you check that you have everything you need to get started.

Top tip

Find a space to spread everything out across the floor before you begin assembling the item. Lay each panel down on a clean and level area, ideally in the room of intended use, ensuring there is enough room to manoeuvre around the item. It is recommended that two people assemble this product together. The full list of furniture parts, fixtures and fittings, as well as the tools you will need for assembly can be found on in this manual.

Top tip

Identify all the fittings, make sure that you have them all prepared and familiarise yourself with each component to make things easier when you are putting it all together.

Safety and care advice

IMPORTANT - The first step you need to take is to ensure your safety! Please take the time to read and understand these instructions before assembling your furniture.

Please keep these instructions for future reference.

Keep children and animals away from the assembly area. This furniture contains small parts that could cause choking if swallowed.

Keep all plastic wrapping materials away from babies and children to avoid danger of suffocation.

Ensure that all packaging is disposed of carefully and responsibly.

From time to time check that there are no loose fittings on the unit, re-tighten when necessary.

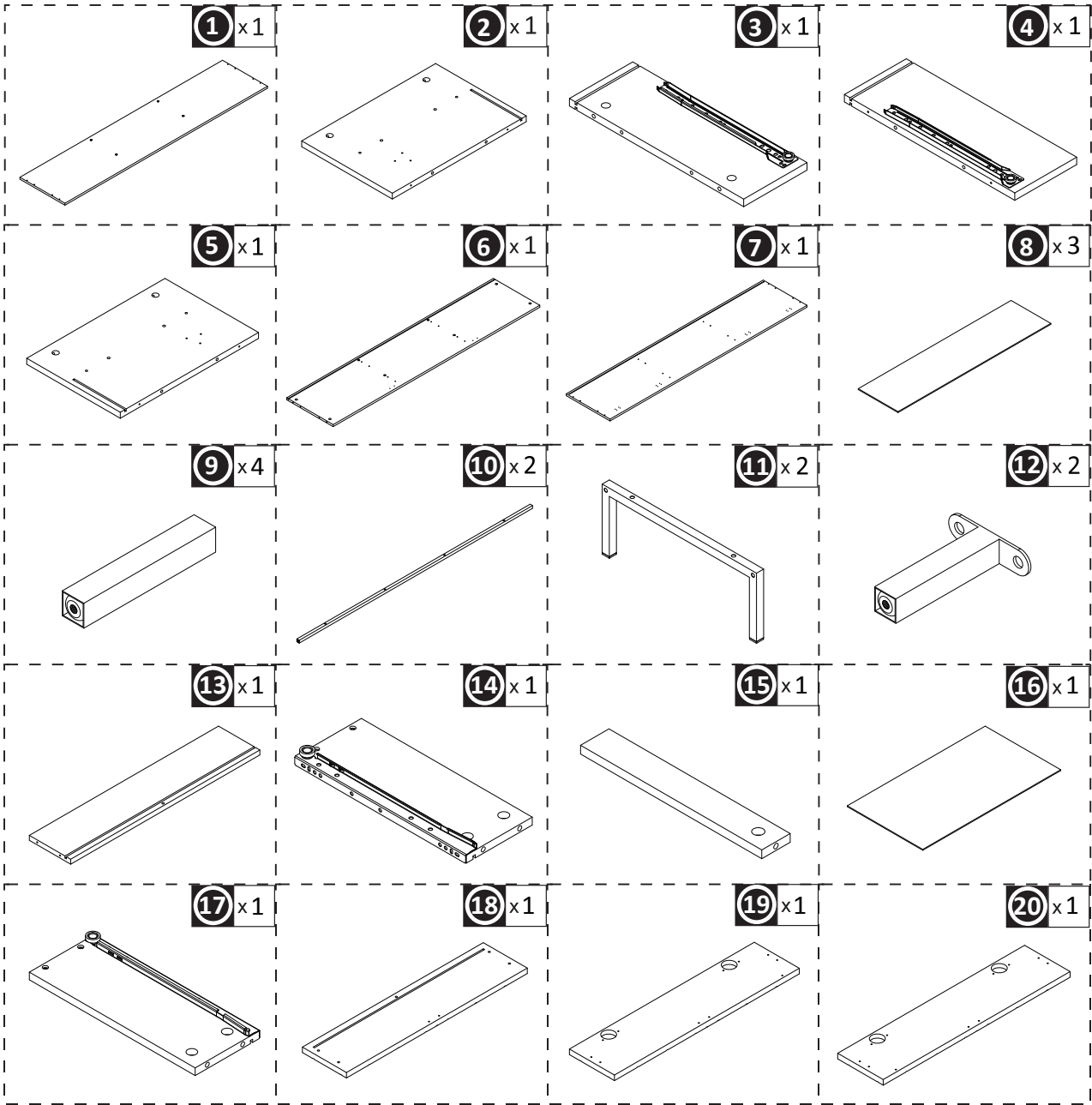
Two people may be required for the assembly of this product.

Once items are part or fully assembled they are not returnable unless faulty.

This item is not for outdoor use – unless stated otherwise.


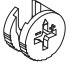



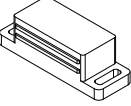
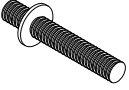
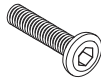
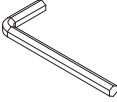
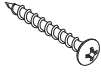

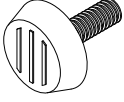
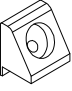
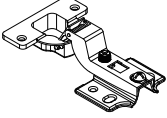

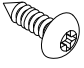
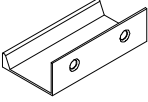
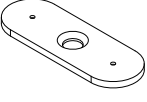
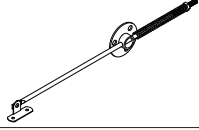
Some items will be supplied with a wall fixing strap which we recommend is used to secure the item to the wall to prevent a child from accidentally pulling furniture over. Furniture can be dangerous if incorrectly installed. Assembly should be carried out by a competent person. No liability will be accepted for damage or injury caused by incorrectly installed or assembled furniture.

Component Parts Supplied

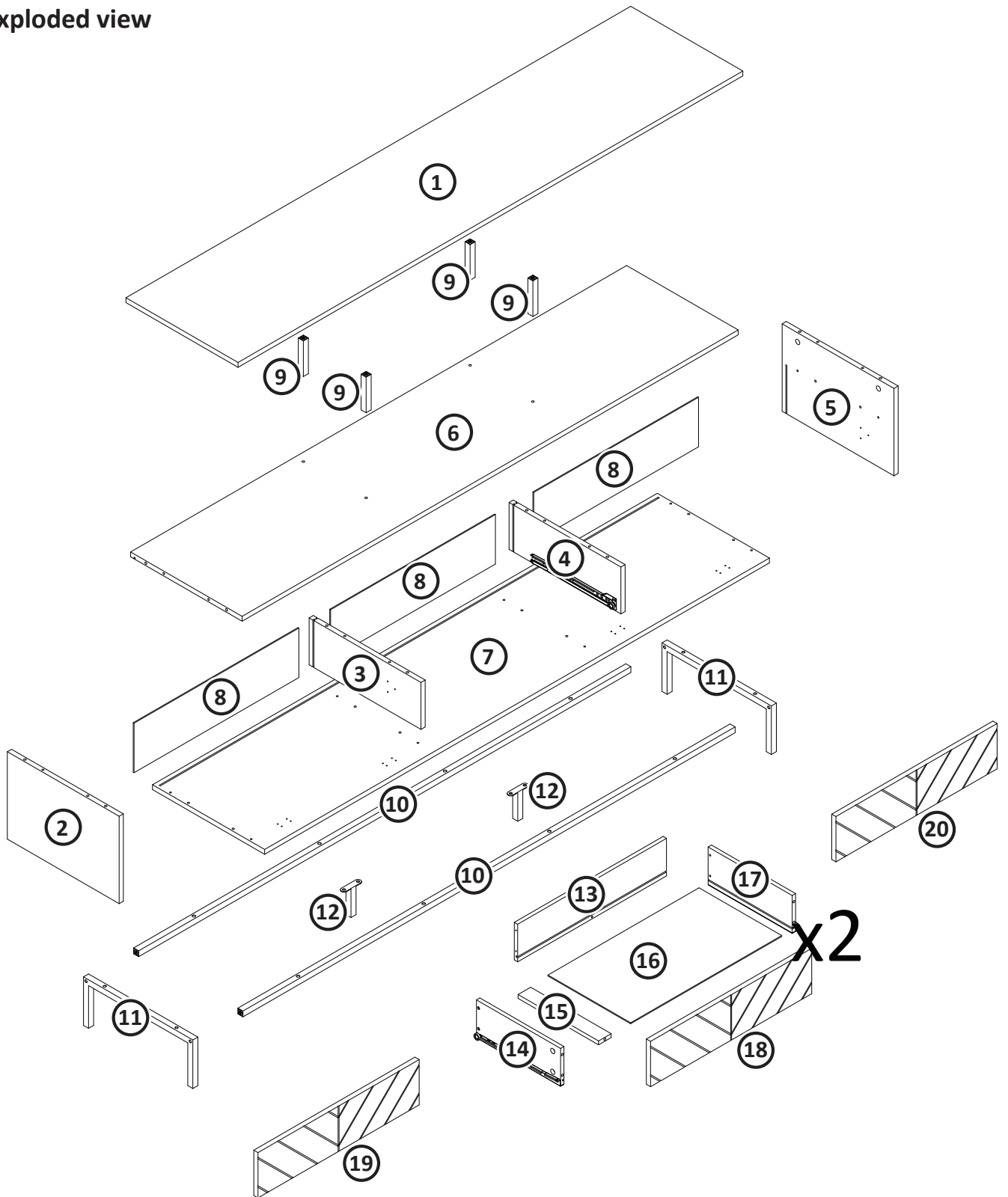


Parts and fittings

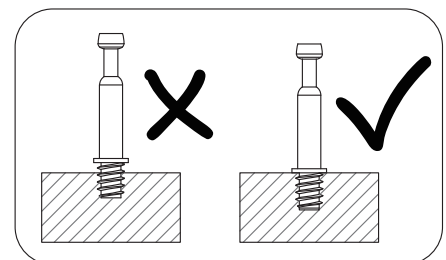
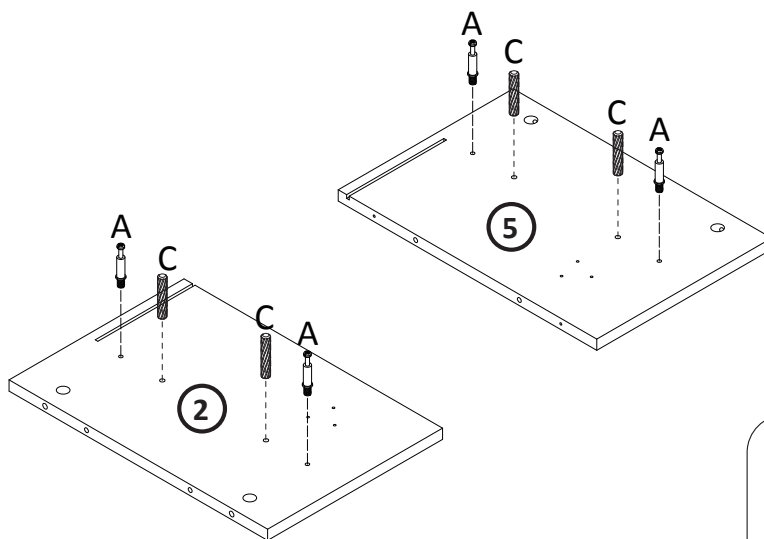
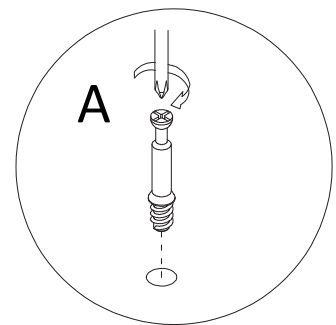
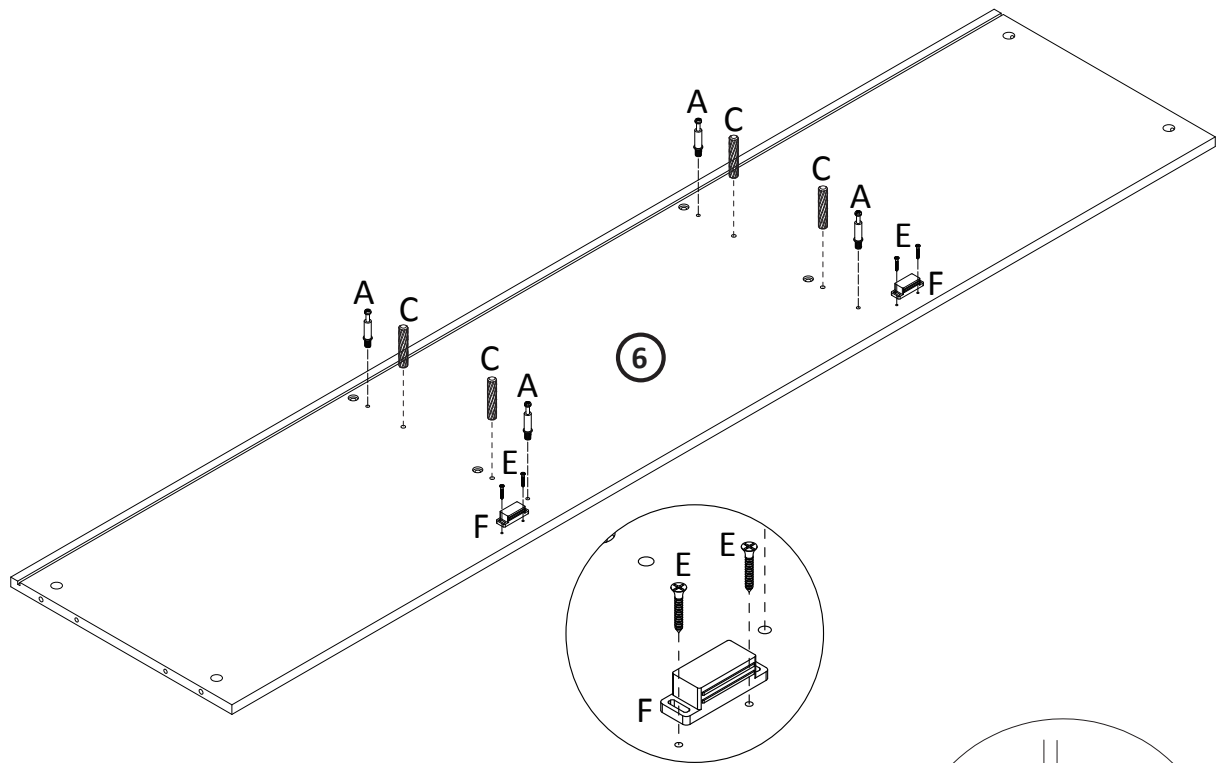


<p>A</p> <p>x 17</p> 	<p>B</p> <p>x 17</p> 	<p>C</p> <p>x 20</p>  <p>Ø6X30mm</p>	<p>D</p> <p>x 13</p>  <p>M4X35mm</p>	<p>E</p> <p>x 18</p>  <p>M3X14mm</p>
<p>F</p> <p>x 2</p>  <p>M4X35mm</p>	<p>G</p> <p>x 4</p>  <p>M6X40mm</p>	<p>H</p> <p>x 12</p>  <p>M6X30mm</p>	<p>I</p> <p>x 1</p> 	<p>J</p> <p>x 8</p>  <p>M4X30mm</p>
<p>K</p> <p>x 4</p>  <p>M4X10mm</p>	<p>L</p> <p>x 2</p> 	<p>M</p> <p>x 12</p> 	<p>N</p> <p>x 4</p>  <p>M3X14mm</p>	<p>O</p> <p>x 44</p>  <p>M3.5X14mm</p>
<p>P</p> <p>x 6</p>  <p>M4X12mm</p>	<p>Q</p> <p>x 3</p> 	<p>R</p> <p>x 2</p> 	<p>S</p> <p>x 4</p>  <p>M4X12mm</p>	

Exploded view

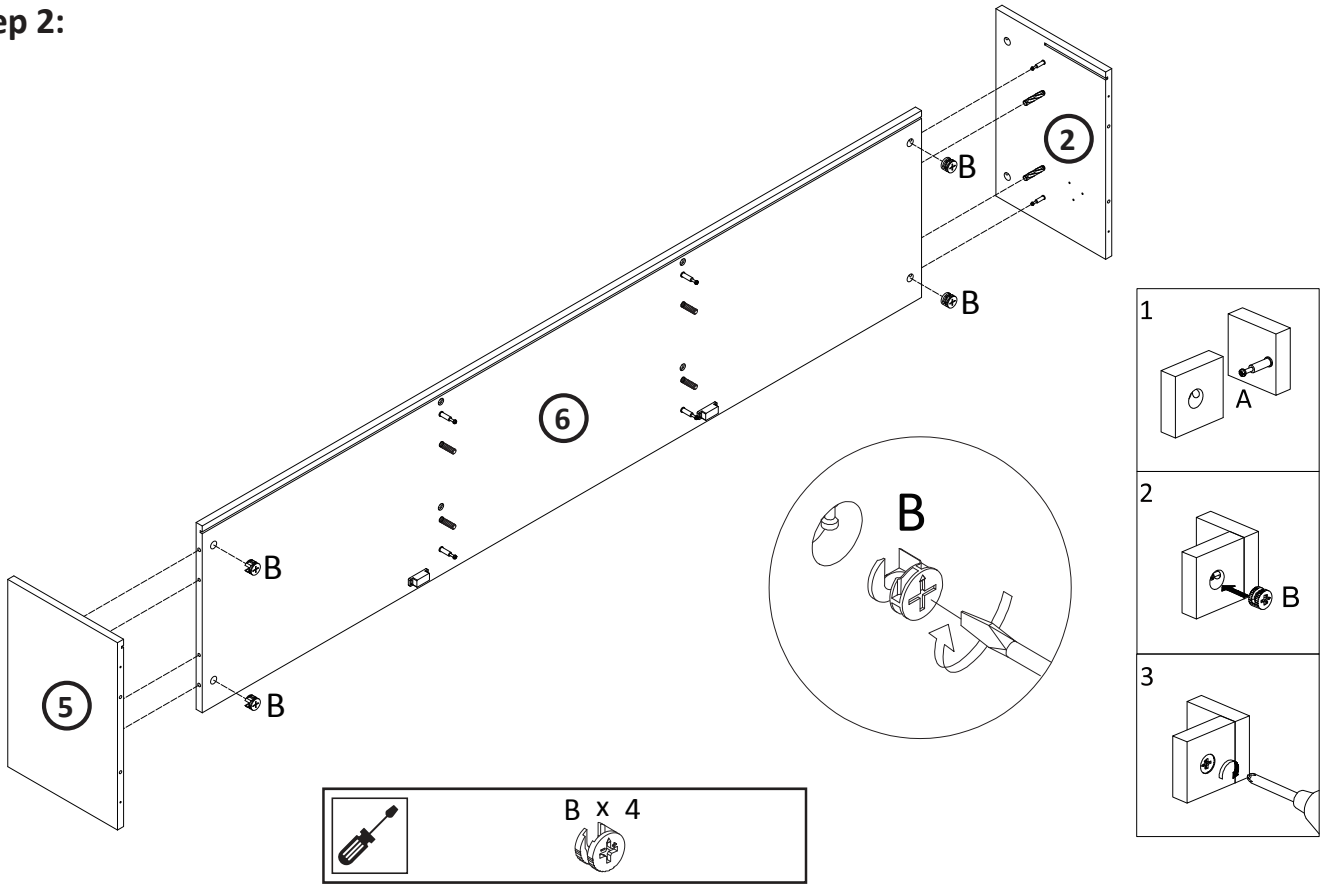


Step 1:

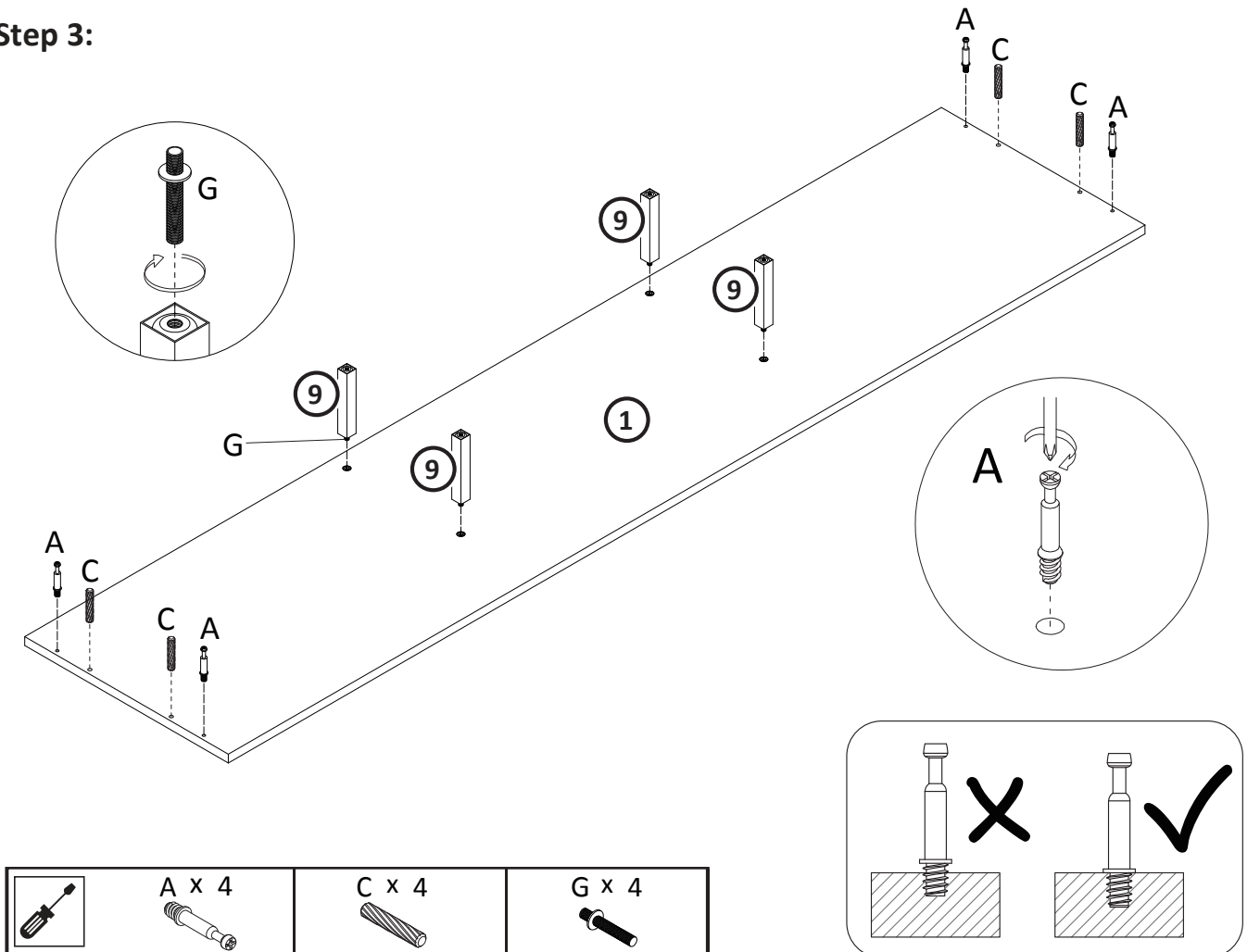


	A x 8	C x 8	E x 4	F x 2

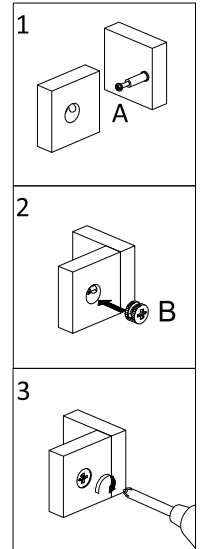
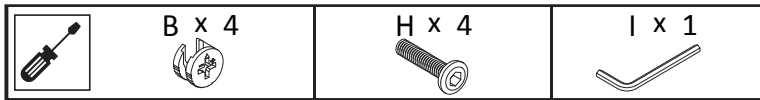
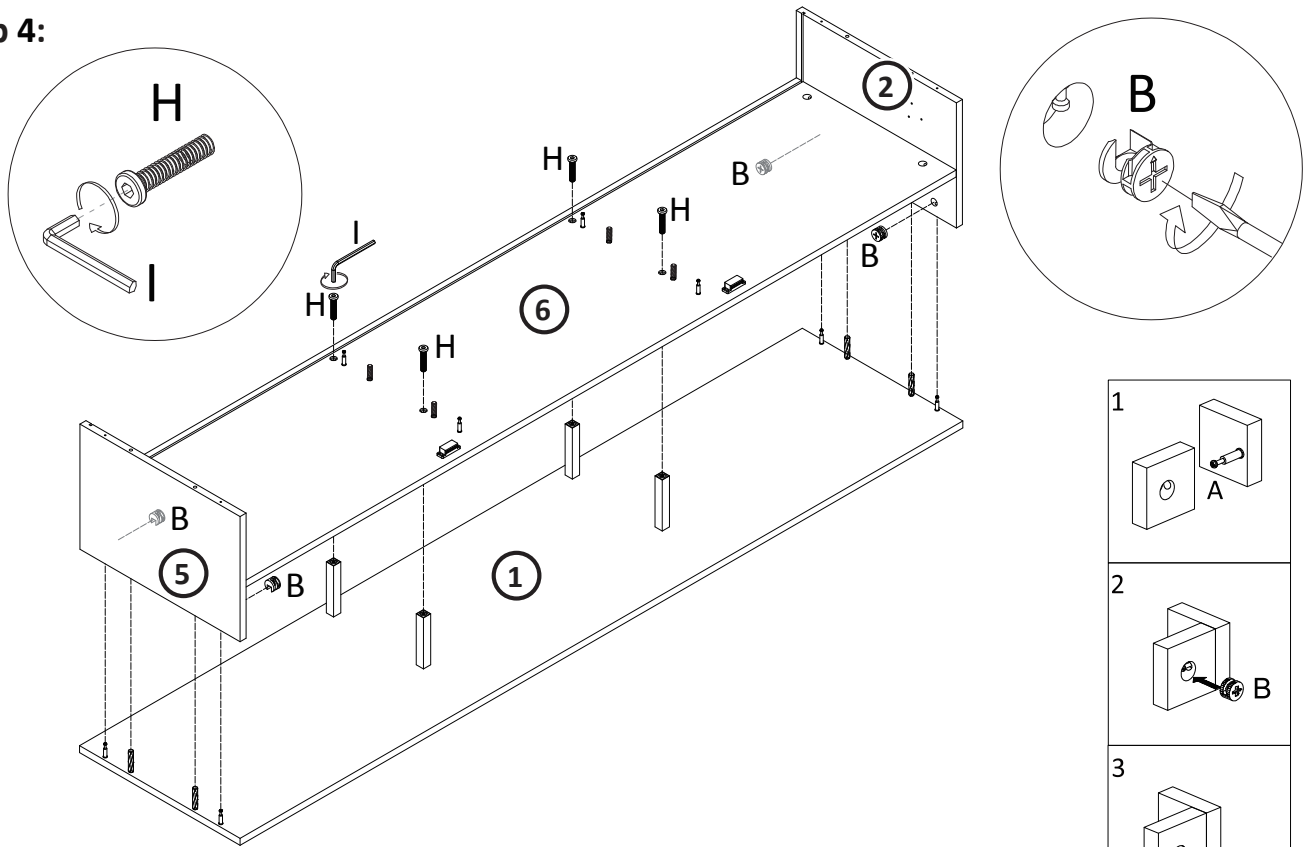
Step 2:



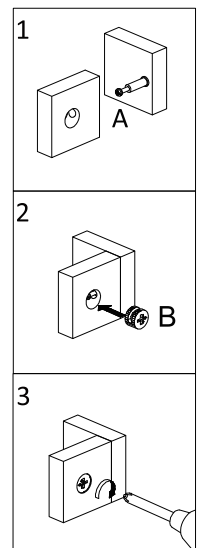
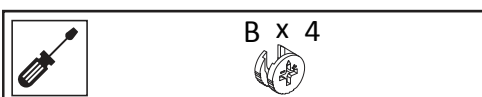
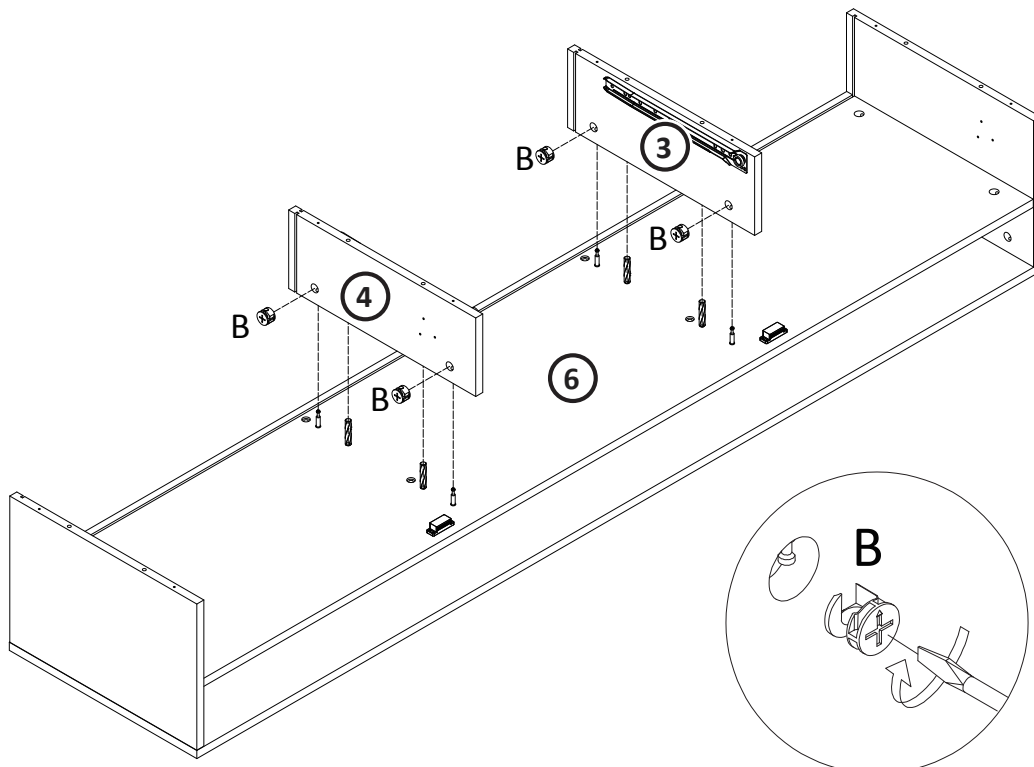
Step 3:



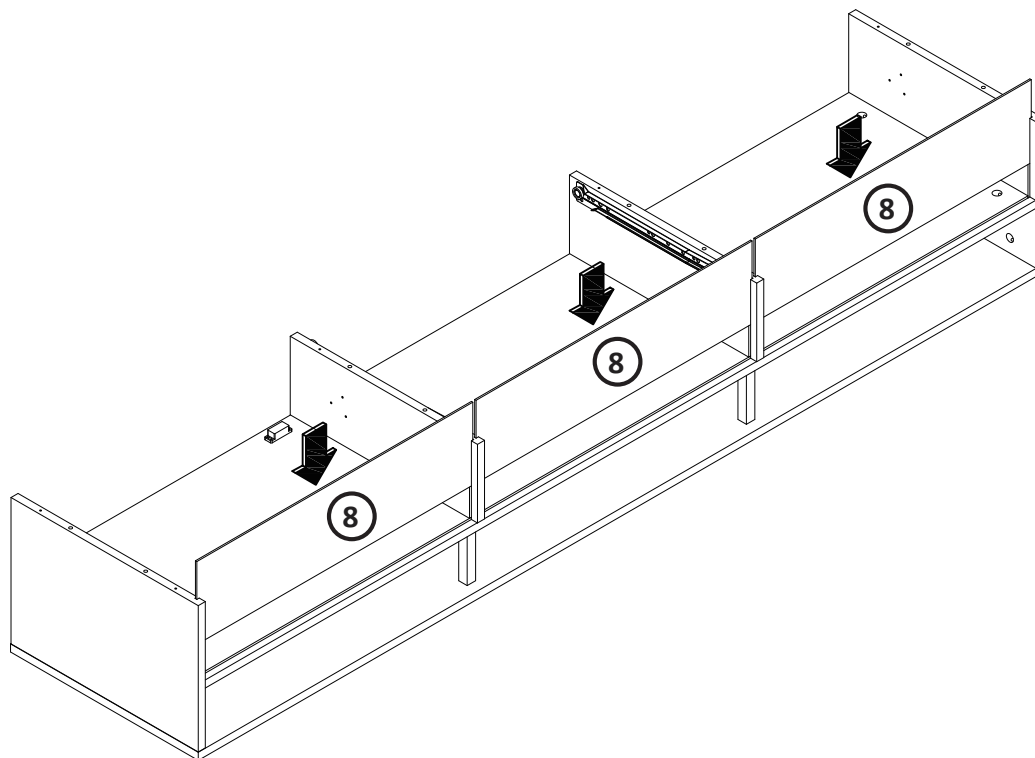
Step 4:



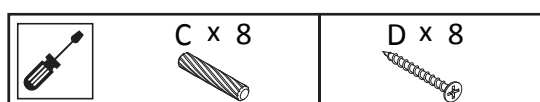
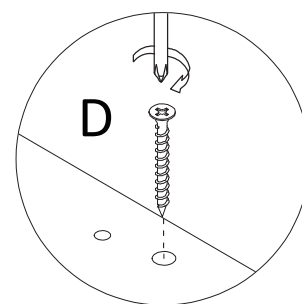
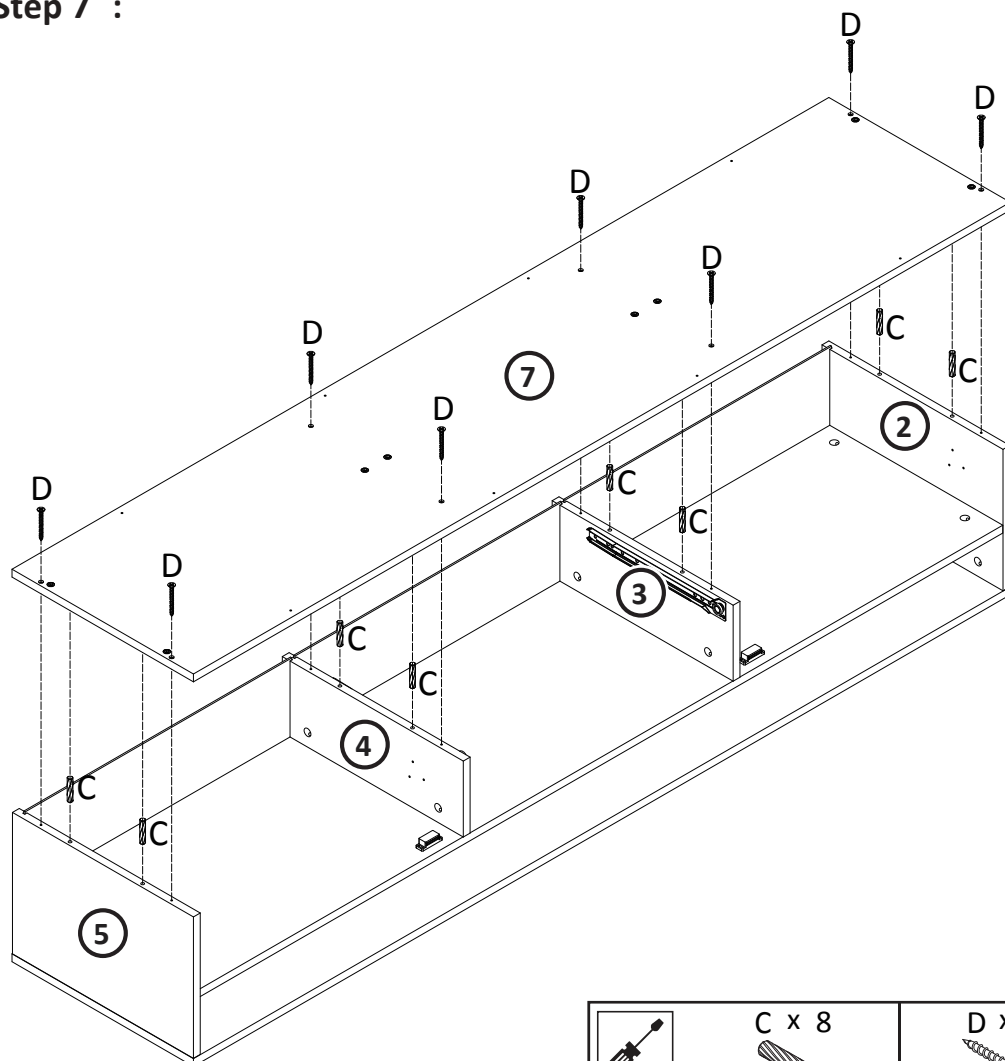
Step 5:



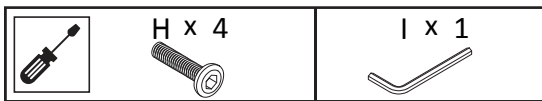
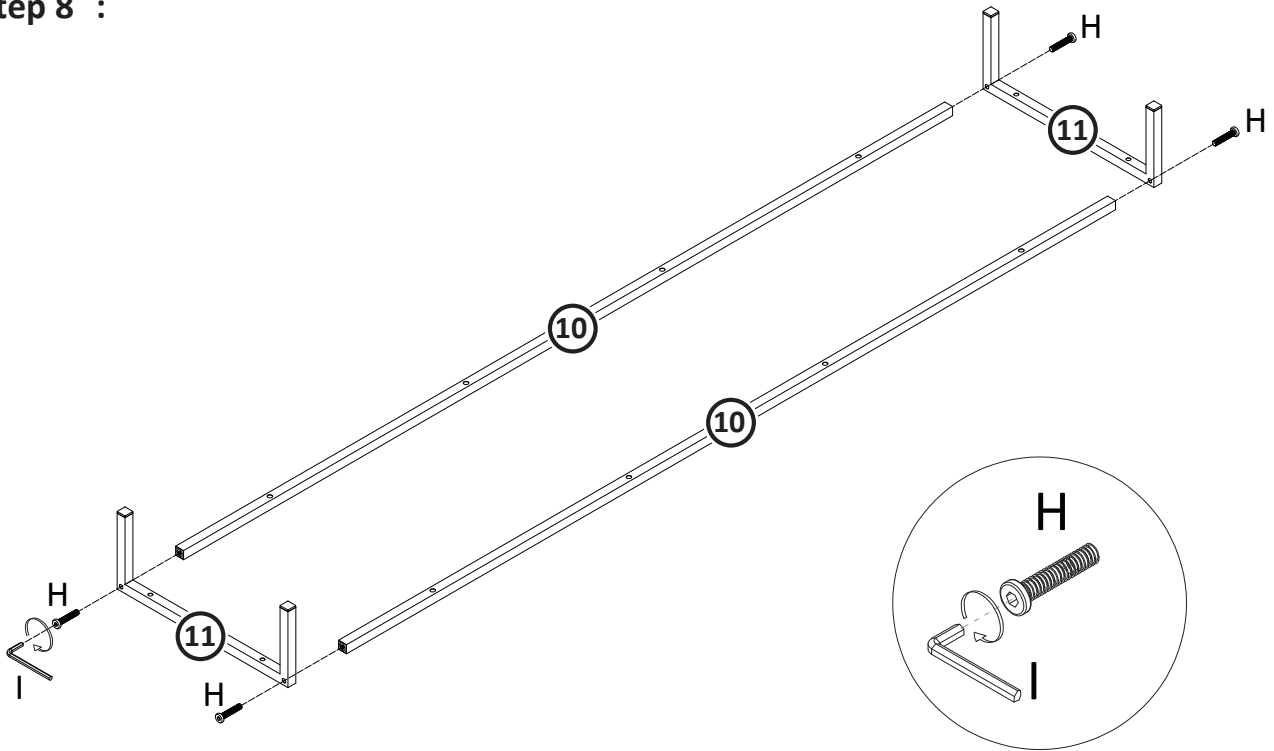
Step 6:



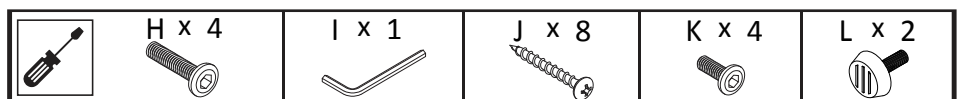
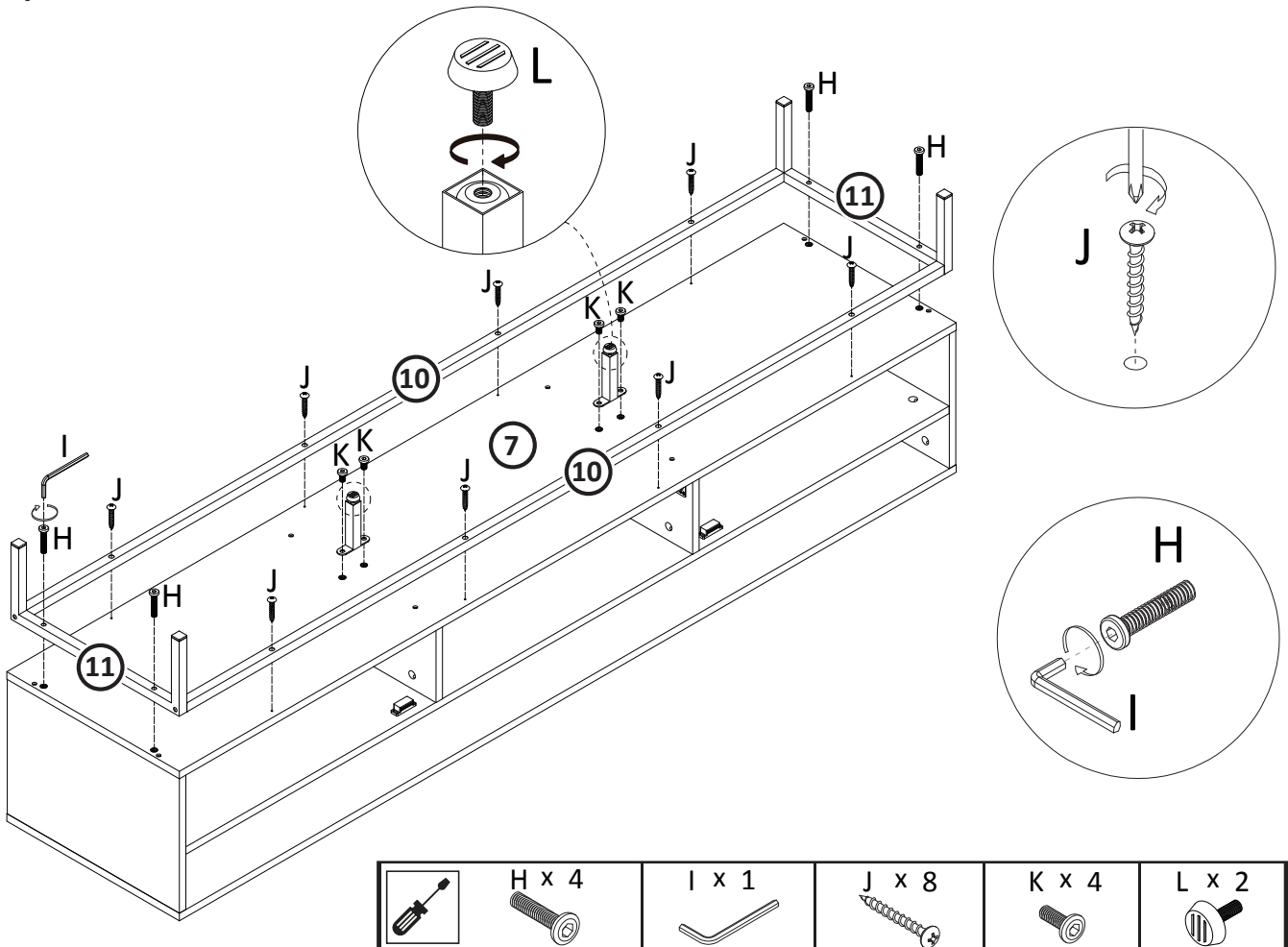
Step 7 :



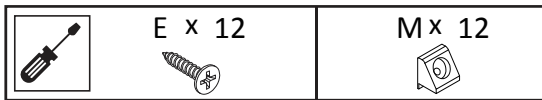
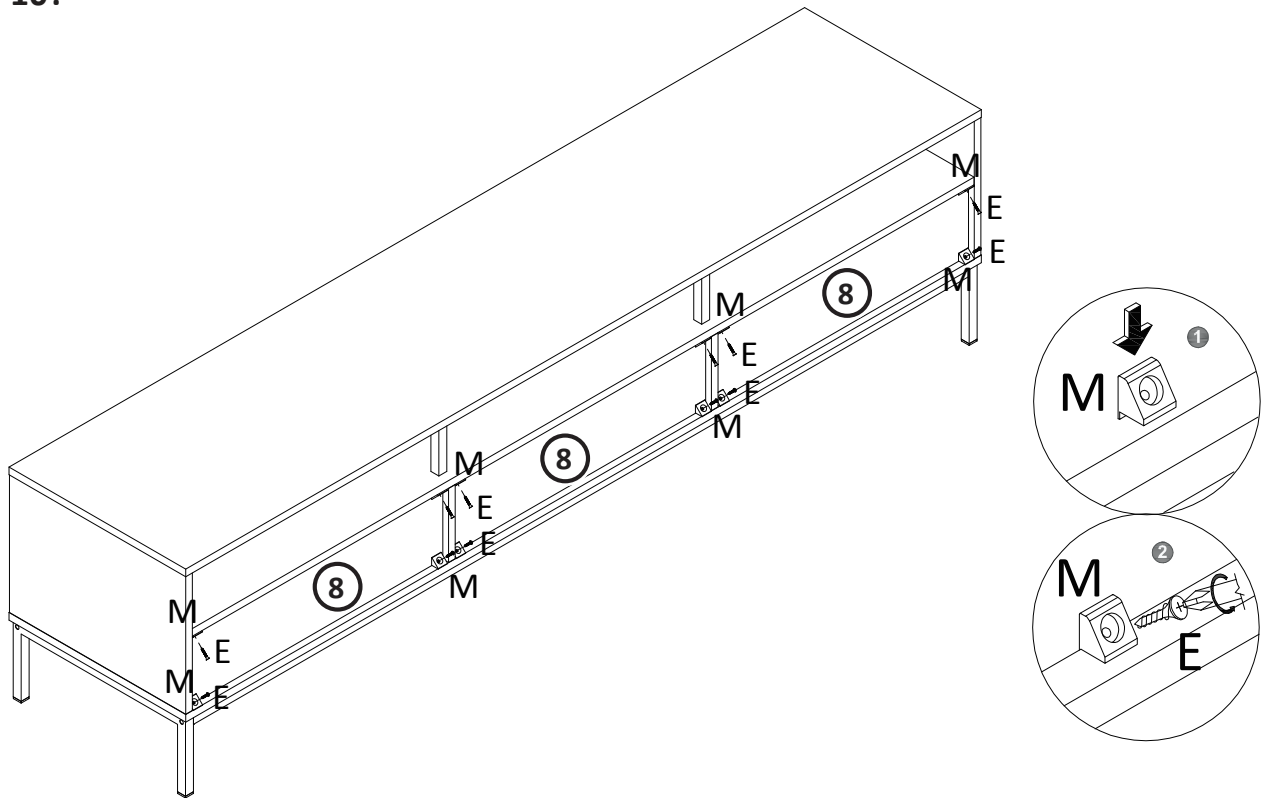
Step 8 :



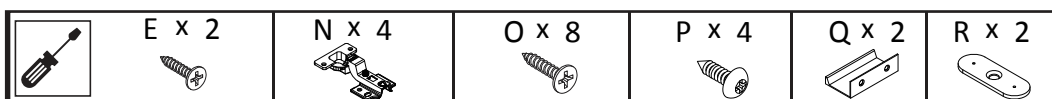
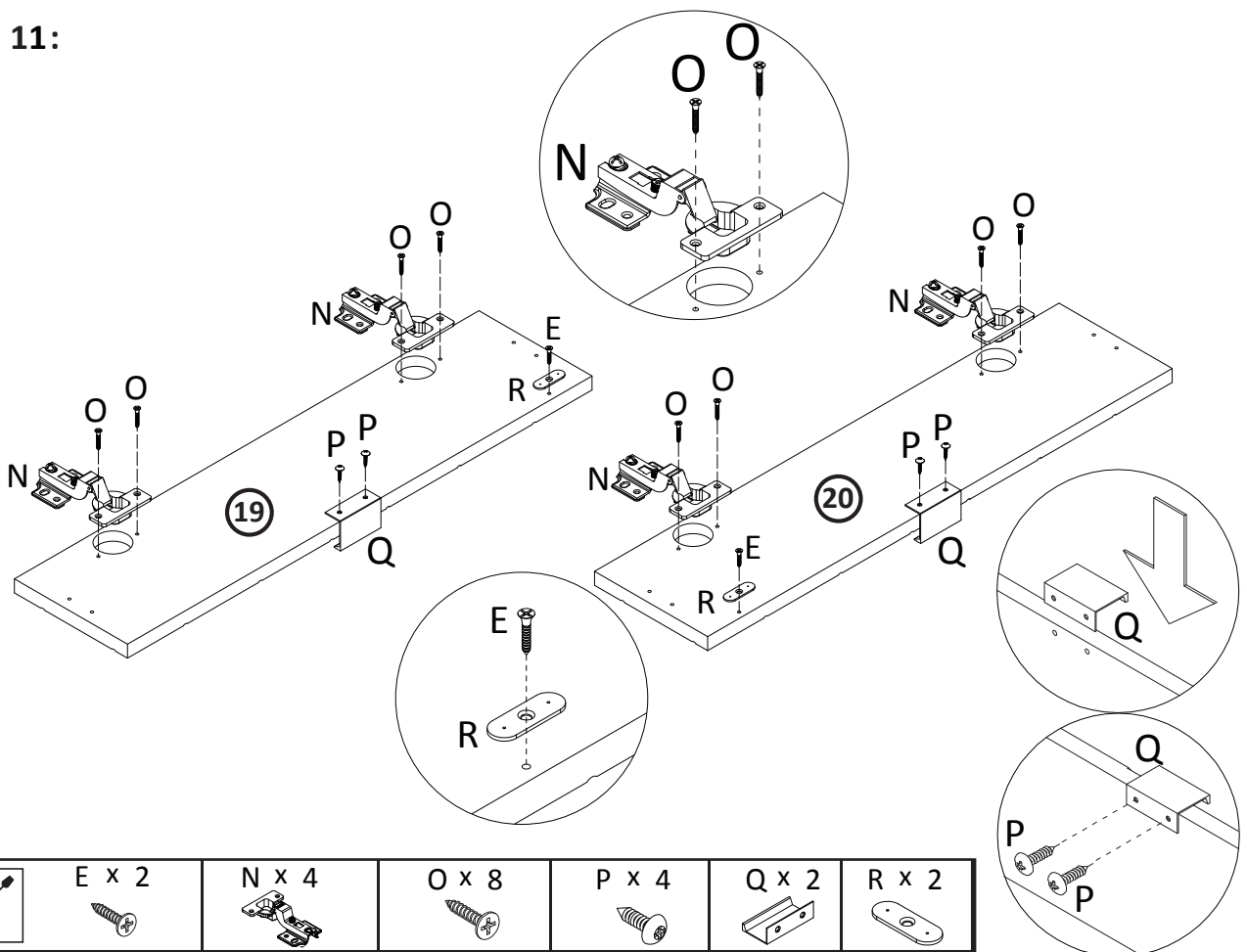
Step 9 :



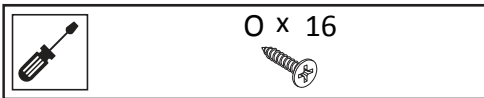
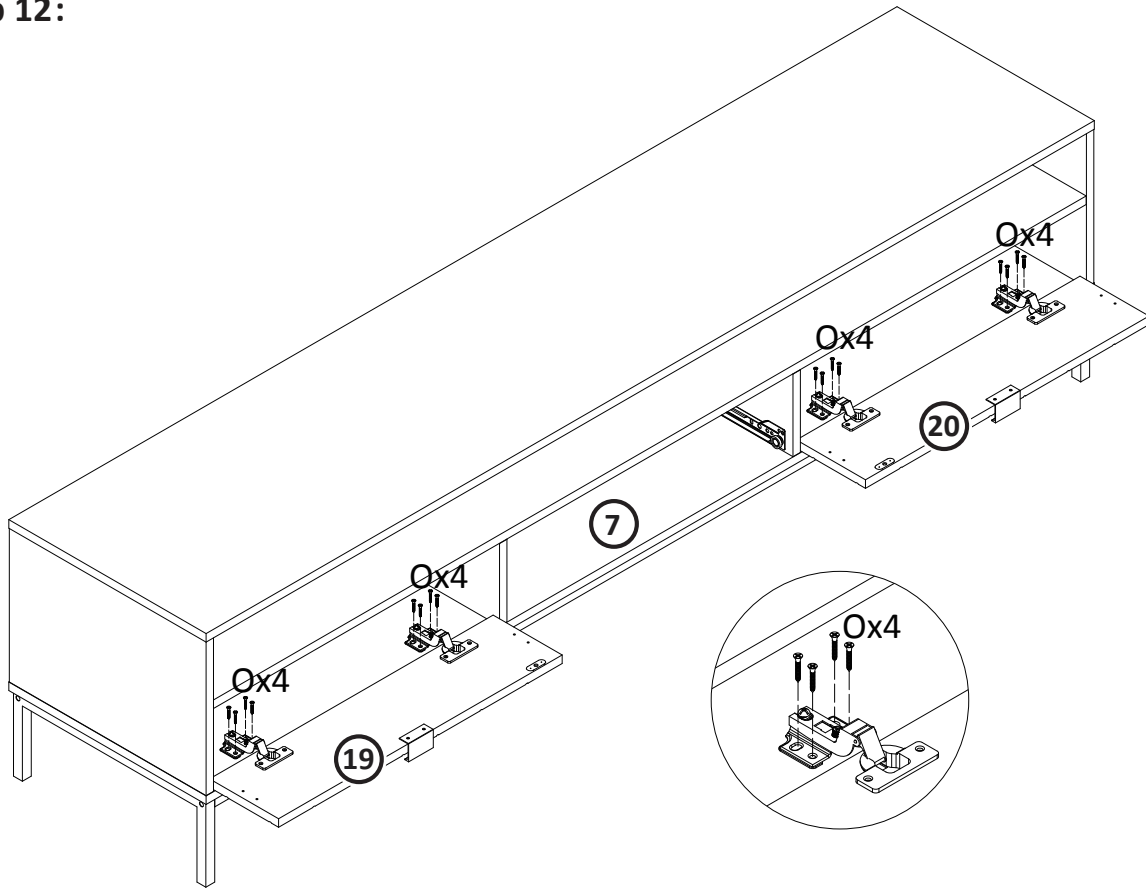
Step 10:



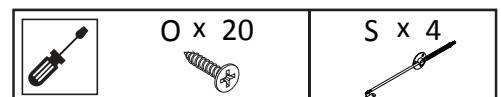
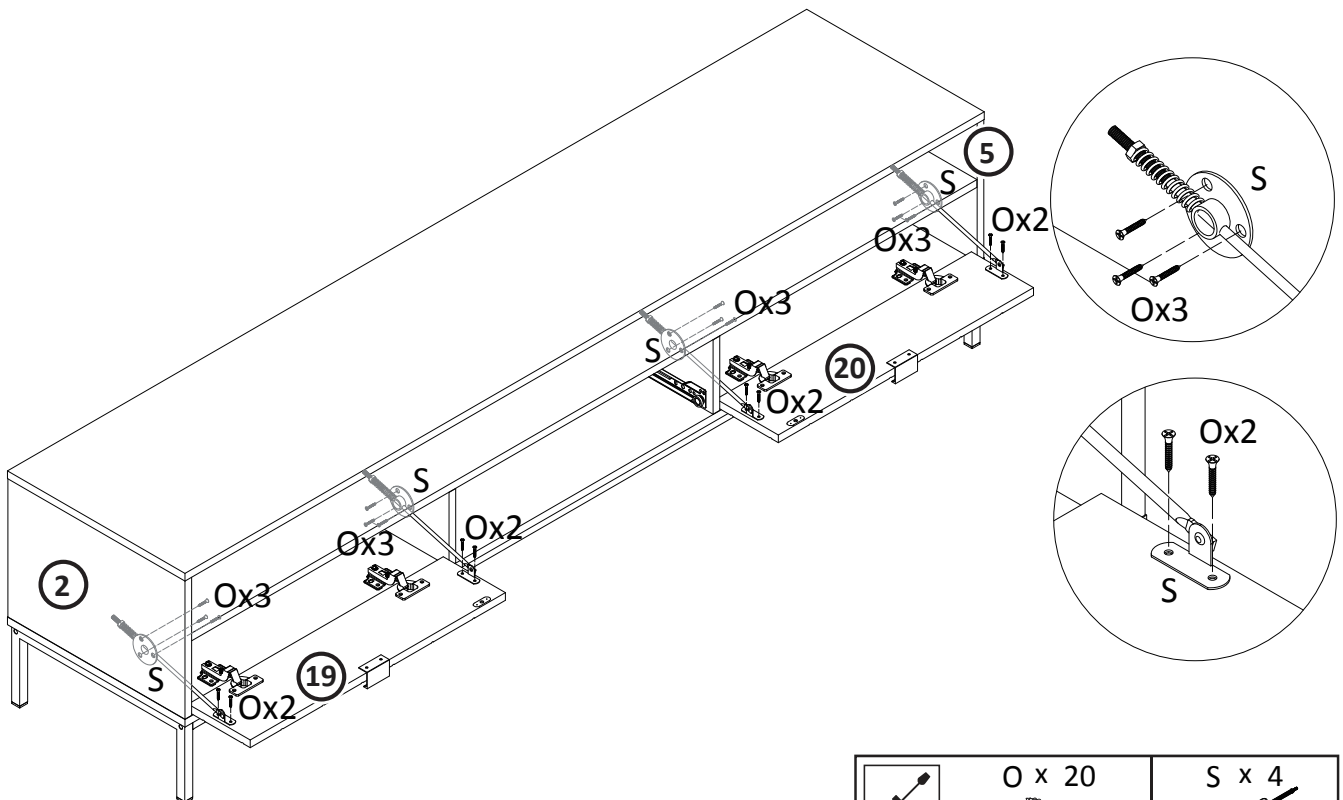
Step 11:



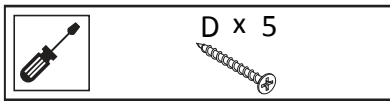
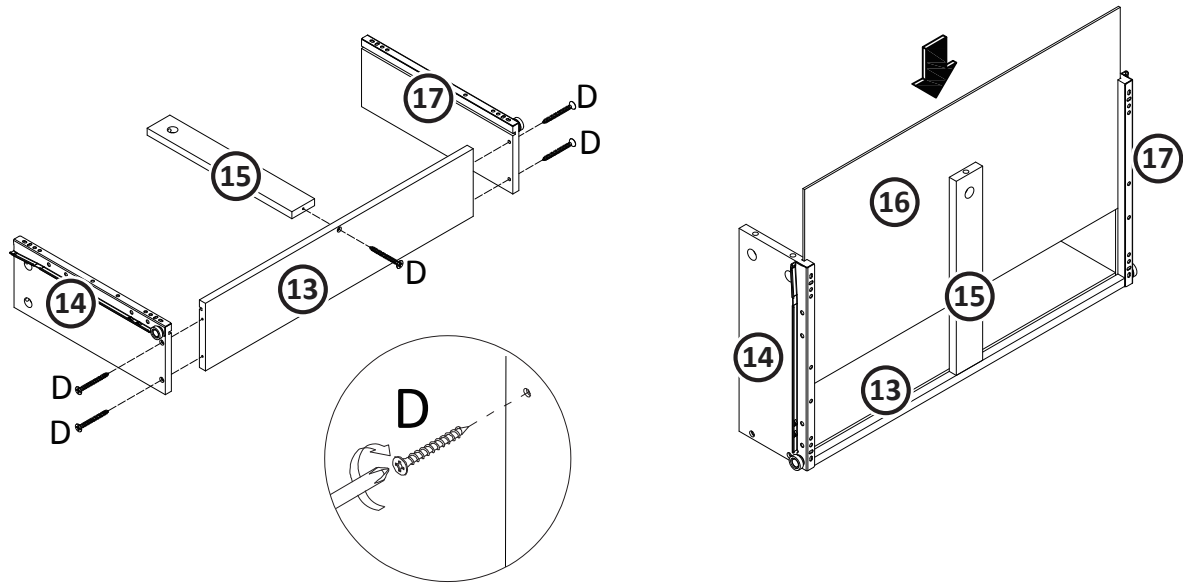
Step 12:



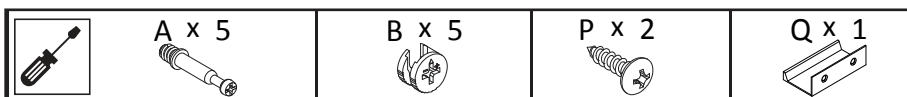
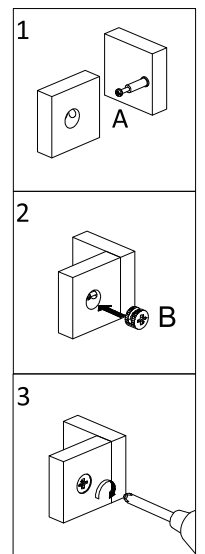
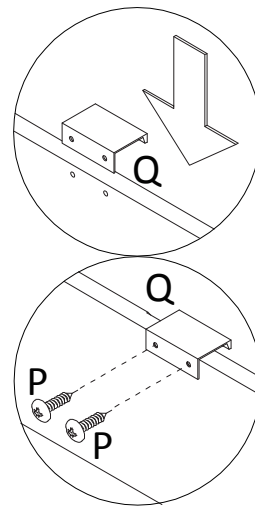
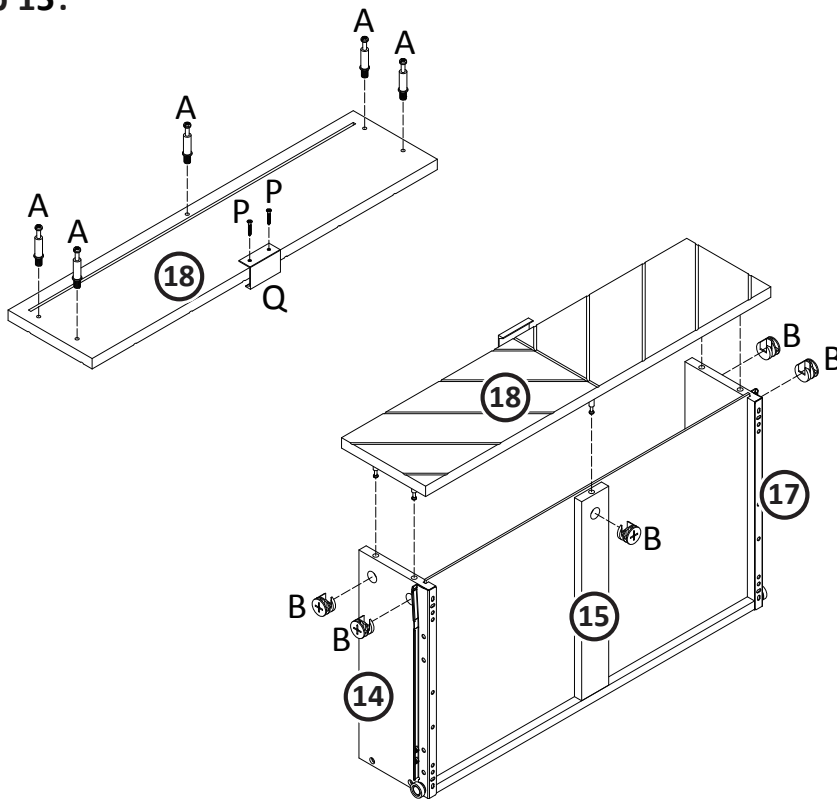
Step 13:



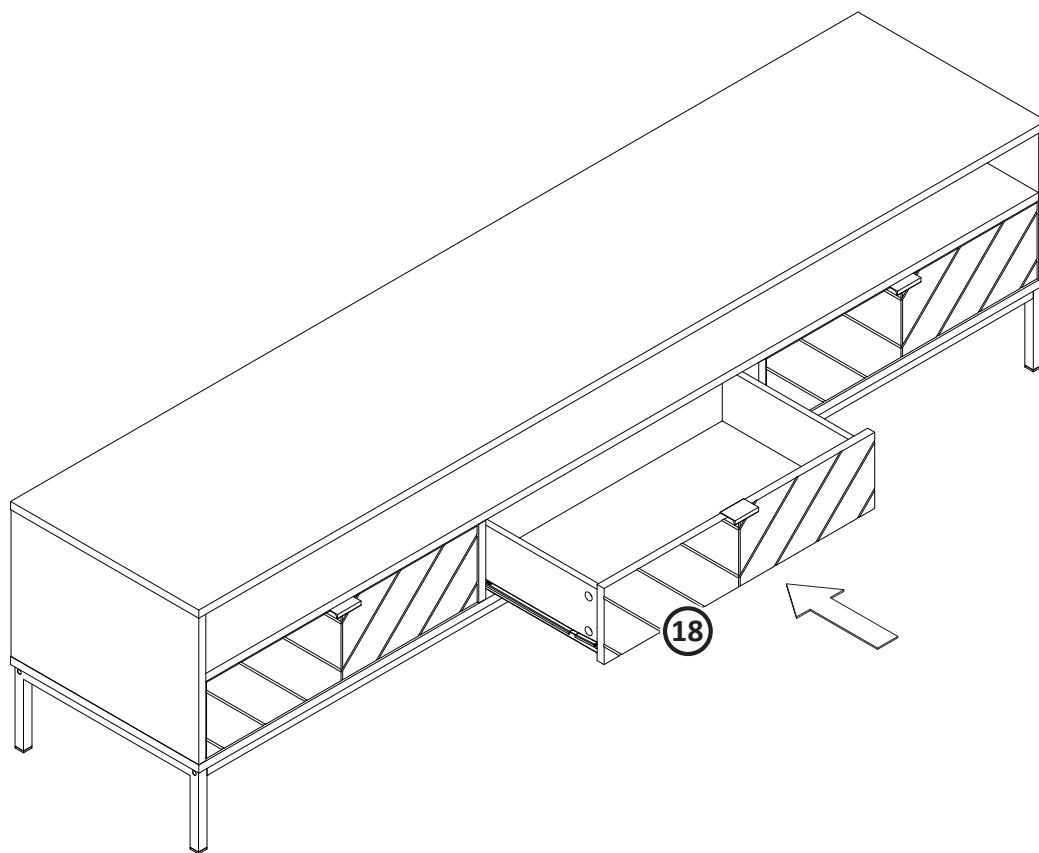
Step 14:



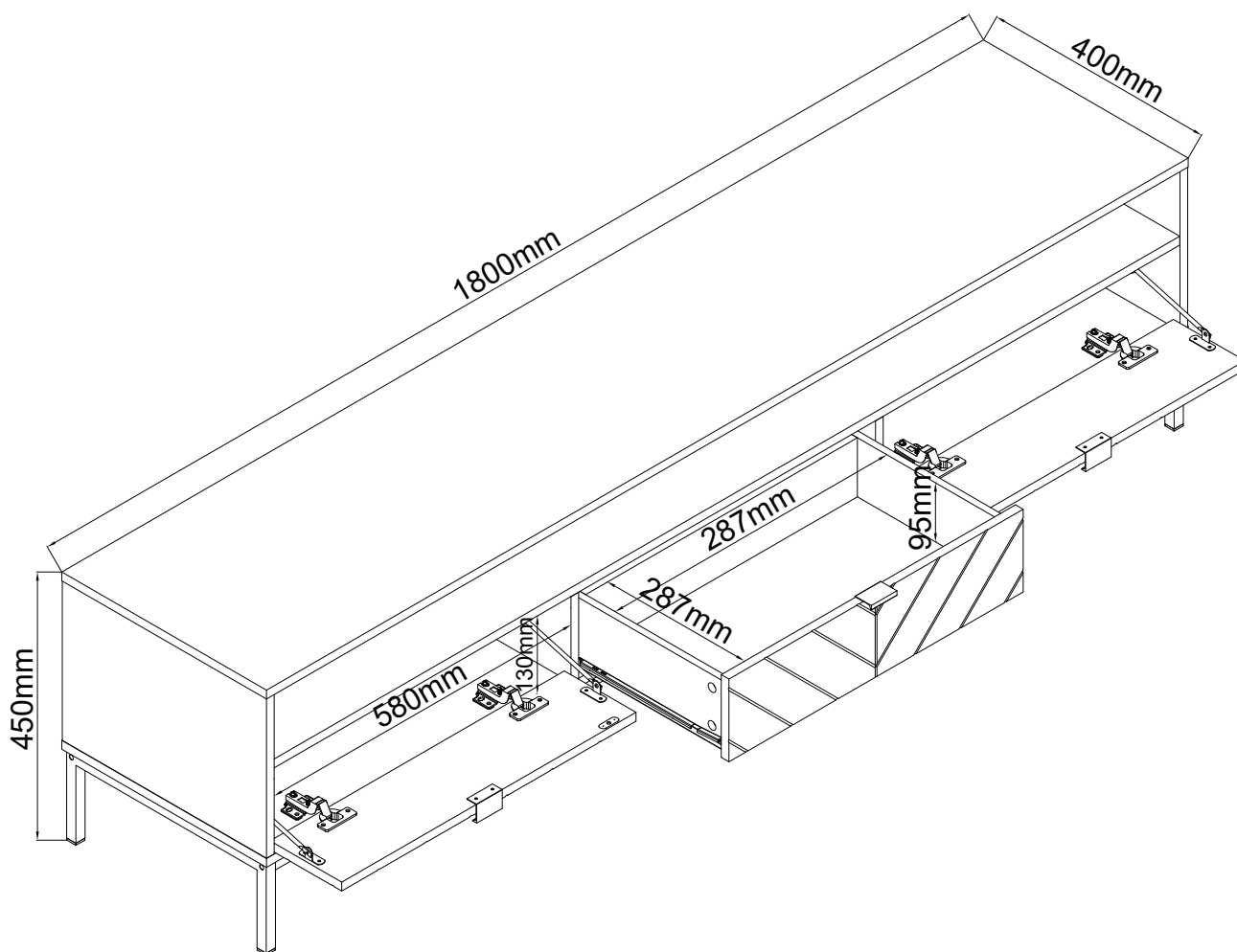
Step 15:



Step 16:



Assembly Instructions



Metal Care Advice

Regular Metal Care Advice

Use a clean, dry cloth to dust the surface.

If there are stubborn marks use soapy water and a clean cloth, ensure that the water does not touch any other parts of the product. Afterwards use clean, dry cloth to remove any smears.

Do not use abrasive cleaners or cloths as these can scratch the surface of the metal.

Do not use chemical cleaners or polishes on any metal.

Ensure that mats are placed to prevent hot items coming into contact with the surface.

Wood Care Advice

Wood care advice

Wood is a natural product and each piece is individual.

As a natural product, wood is affected by temperature and humidity. We recommend that you avoid placing the furniture directly in front of heat sources such as radiators or fires or in humid areas such as bathrooms or next to bathrooms as this can cause cracking or warping over time.

The colour will mellow over time and new items can vary in shade from items that you have already purchased.

Strong direct sunlight can affect the colour dramatically, so try to avoid this as much as possible, we also recommend that any ornaments, coasters and items placed on the product are periodically moved around to allow the colour to mellow evenly.

Always use mats and coasters to protect the surface when placing items on the furniture. This will help to protect the finish from heat, liquids or items that might scratch your furniture. Additionally, if writing on your product, use a mat or pad so protect the surface.

If items are to be placed on the surface of your furniture and have rubber feet, it is advisable to use mats to prevent marking.

Always lift your furniture into place, avoid dragging it across the floor as this can cause damage to joints.

When placing furniture on a wooden or laminate floor, please ensure that the plastic or felt protectors are securely fitted and in place.

Avoid rocking backwards on two legs of the chair as this will weaken the joints

Only clean using a damp cloth and mild detergent, do not use bleach or abrasive cleaners.

From time to time check that there are no loose screws on this unit.

Wood can absorb liquids, for this reason, remove any spills immediately to avoid staining.

When mopping the floor around where your chairs and stools are placed avoid getting the legs too wet.

Dust regularly with a soft lint free cloth or duster.

The use of abrasive polish or silicon-based polishes is not advised as these can affect the polished finish and joints over time.

Ensure the polish you are using is correct for your product as some polishes can degrade protective layers on furniture.

Ensure you patch test a polish or cleaning product on a discrete area before applying it to the whole product.

Uneven floors could give the impression that doors of wall units and wardrobes are out of alignment. Be aware of this and compensate if necessary, by adjusting the hinges or packing a corner to level the item. Please refer to the instructions, included with your furniture, and adjust accordingly.

If your furniture becomes stained, scratched, chipped or suffers other damage, we recommend professional help is sought to restore it. Please contact our customer services line for recommended agents.

Periodically, check the tightness of fixings and tighten if necessary.

Always follow fitting instructions carefully and retain them for future use.

Finally, we hope you enjoy your furniture for many years to come and thanks again for your purchase.