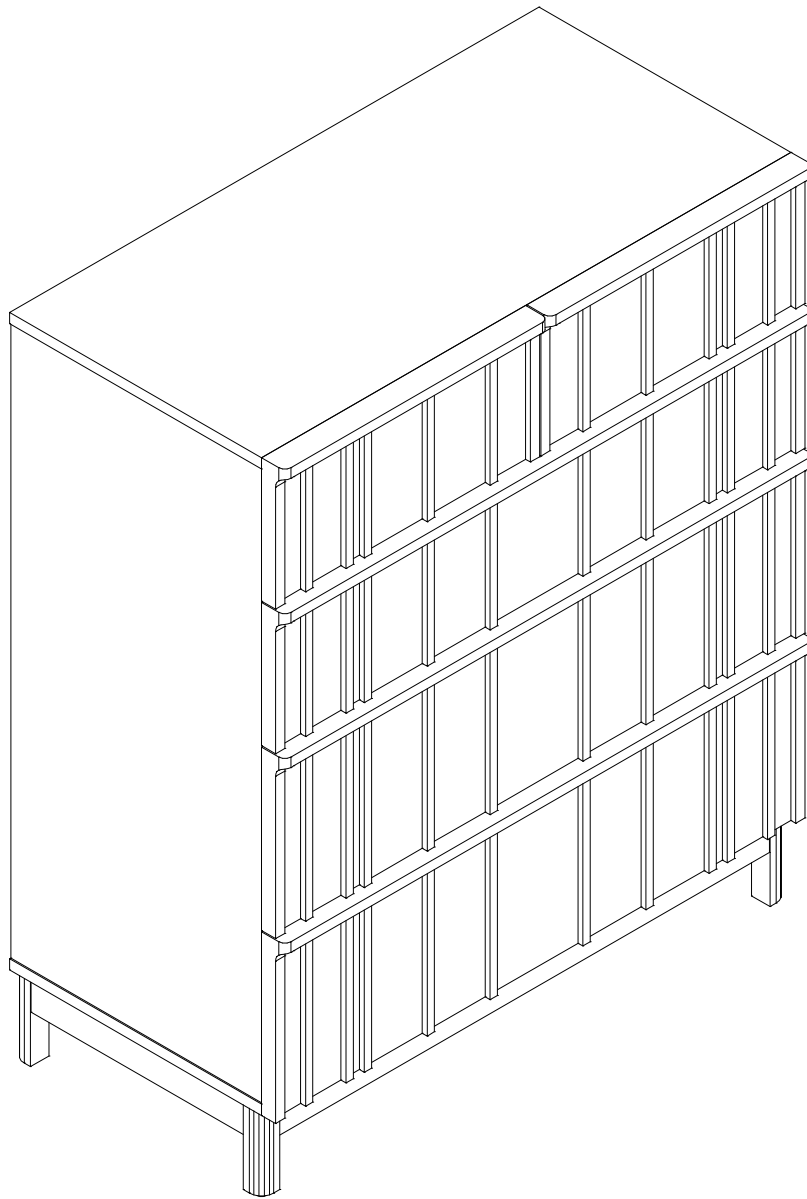


# Elements

# Thompson Tall 5 Drawer Chest

INSTRUCTIONS



**Dunelm**

[www.dunelm.com](http://www.dunelm.com)

---

# Thank you

---

## Dear Customer

Thank you for purchasing your new piece of furniture from Dunelm. We put a lot of effort in the design and construction of our products to ensure they set the standard for quality, durability and ease of assembly.

If for any reason you feel we haven't lived up to the high standards we set ourselves, please don't hesitate in contacting us on 03451 656565 where our team will be very keen to understand what has gone wrong and, more importantly, put it right.

## The next step...

There is no need to feel daunted by the number of parts and fitting in front of you, we have compiled this straight forward, step-by-step guide to make sure that assembling your furniture is as easy as 1, 2, 3. Before you begin, we advise that you check that you have everything you need to get started.

## Top tip

Find a space to spread everything out across the floor before you begin assembling the item. Lay each panel down on a clean and level area, ideally in the room of intended use, ensuring there is enough room to manoeuvre around the item. It is recommended that two people assemble this product together. The full list of furniture parts, fixtures and fittings, as well as the tools you will need for assembly can be found on page 2 and 3 of this manual.

## Top tip

Identify all of the fittings, make sure that you have them all prepared and familiarise yourself with each component, to make things easier when you are putting it all together.

## Safety and care advice

**IMPORTANT** - The first step you need to take is to ensure your safety! Please take the time to read and understand these instructions before assembling your furniture.

Please keep these instructions for future reference.

Keep children and animals away from the assembly area. This furniture contains small parts that could cause choking if swallowed.

Keep all plastic wrapping materials away from babies and children to avoid danger of suffocation.

Ensure that all packaging is disposed of carefully and responsibly.

From time to time check that there are no loose fittings on the unit, re-tighten when necessary.

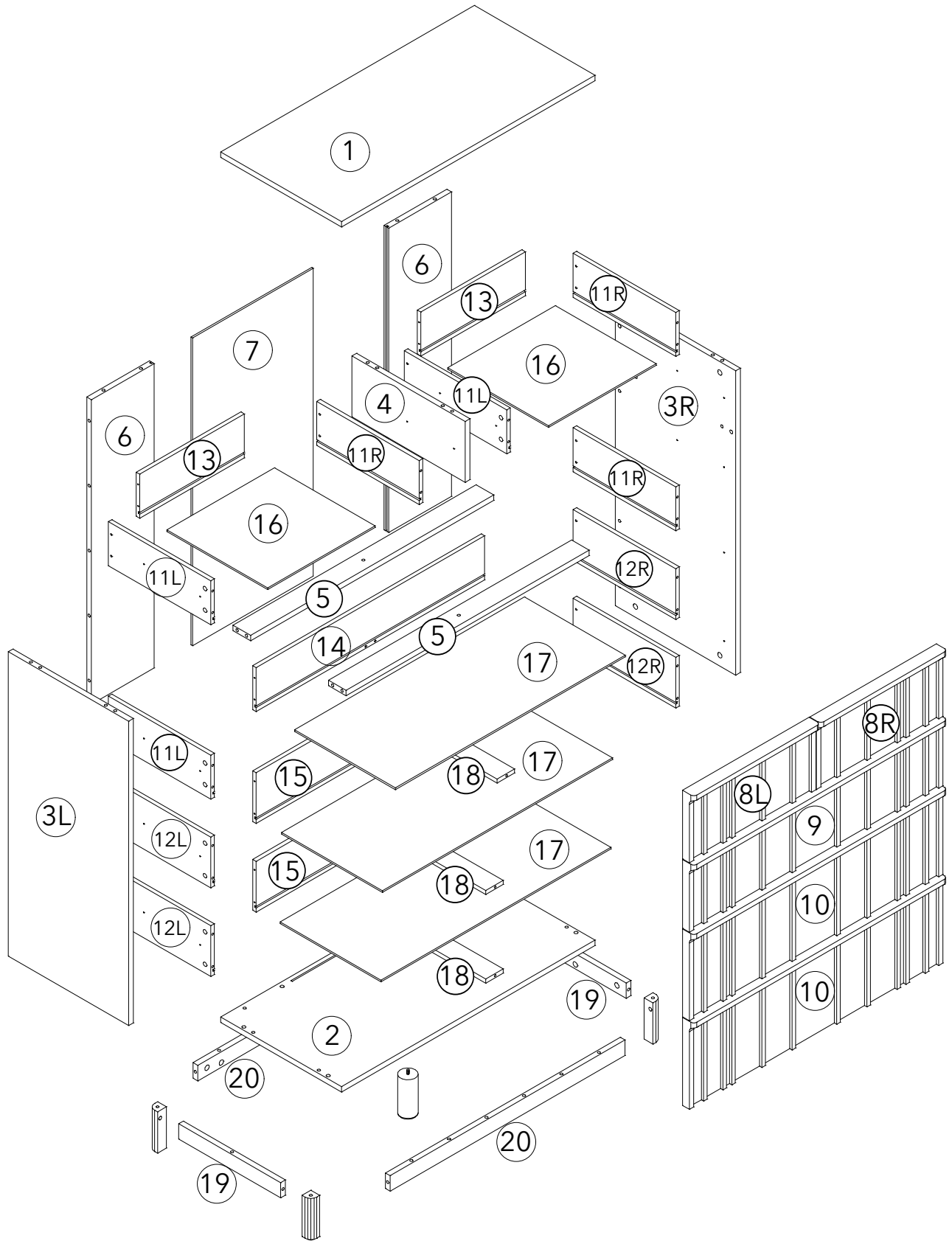
Two people may be required for the assembly of this product.

Once items are part or fully assembled they are not returnable unless faulty.

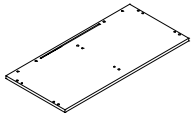
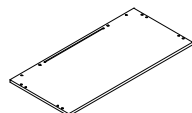
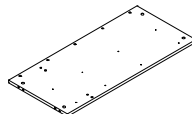
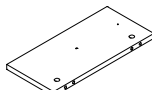
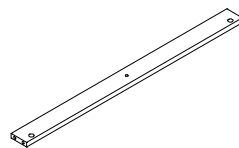
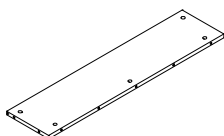
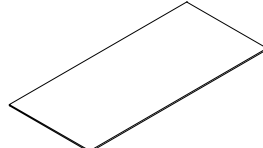
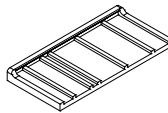
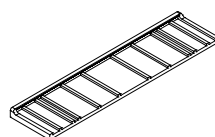
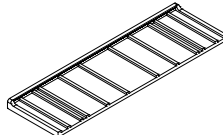
This item is not for outdoor use - unless stated otherwise.

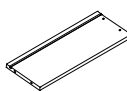
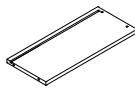
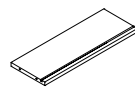
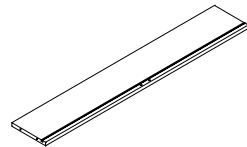
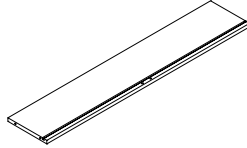
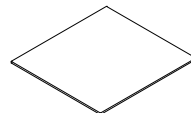
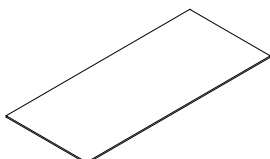
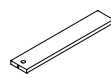
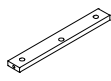
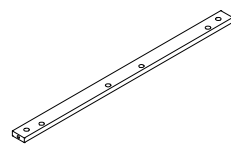
Some items will be supplied with a wall fixing strap, which we recommend is used to secure the item to the wall, to prevent a child from accidentally pulling furniture over. Furniture can be dangerous if incorrectly installed. Assembly should be carried out by a competent person. No liability will be accepted for damage or injury caused by incorrectly installed or assembled furniture.

Exploded view

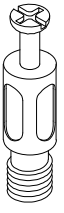

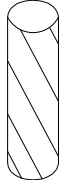
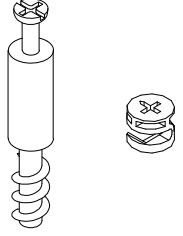
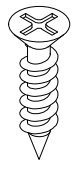
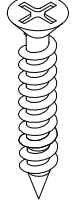
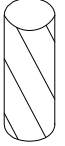
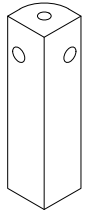
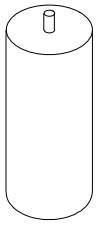
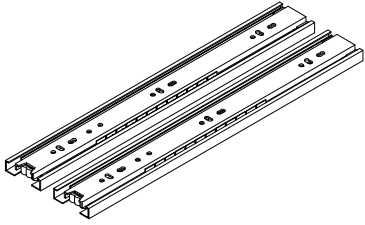
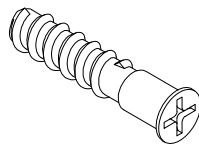
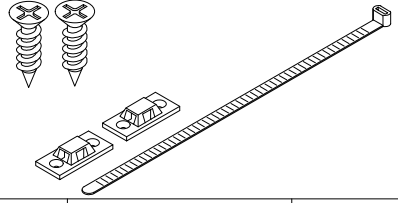


# Component parts supplied

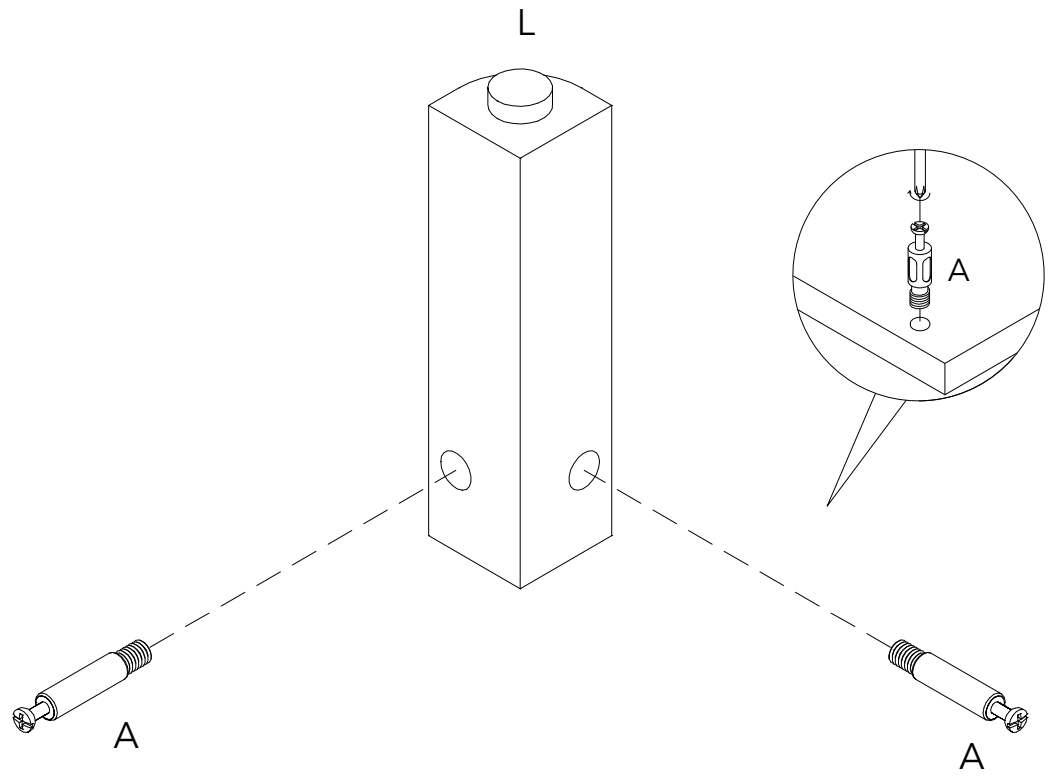
Ref	Dimensions(mm)	Visual	Qty
1	866x412x16		1
2	866x412x16		1
3	900x411x16		2
4	180x388x16		1
5	830x60x16		2
6	900x214x16		2
7	910x412x5		1
8	432x203x38		2
9	866x201x38		1
10	866x258x38		2

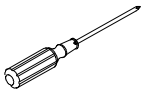


Ref	Dimensions(mm)	Visual	Qty
11	350x130x12		6
12	350x150x12		4
13	357x130x12		2
14	780x130x12		1
15	780x150x12		2
16	376x344x5		2
17	790x344x5		3
18	334x60x12		3
19	802x46x16		2
20	348x46x16		2

# Parts and fittings

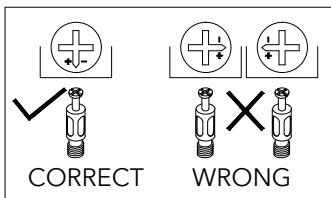
								
A	M6x40mm	42pcs	B	Ø15x11.5	42pcs	C	Ø8x30	26pcs
								
D	Ø12x10mm	23set	E	M4x14	60pcs	F	M4x30	26pcs
								
H	Ø8x20	4pcs	L	H122	4pcs	T	H119	1pc
								
K	10"	5set	I	M7x50mm	2pcs	R	/	2set

Step 1: x4

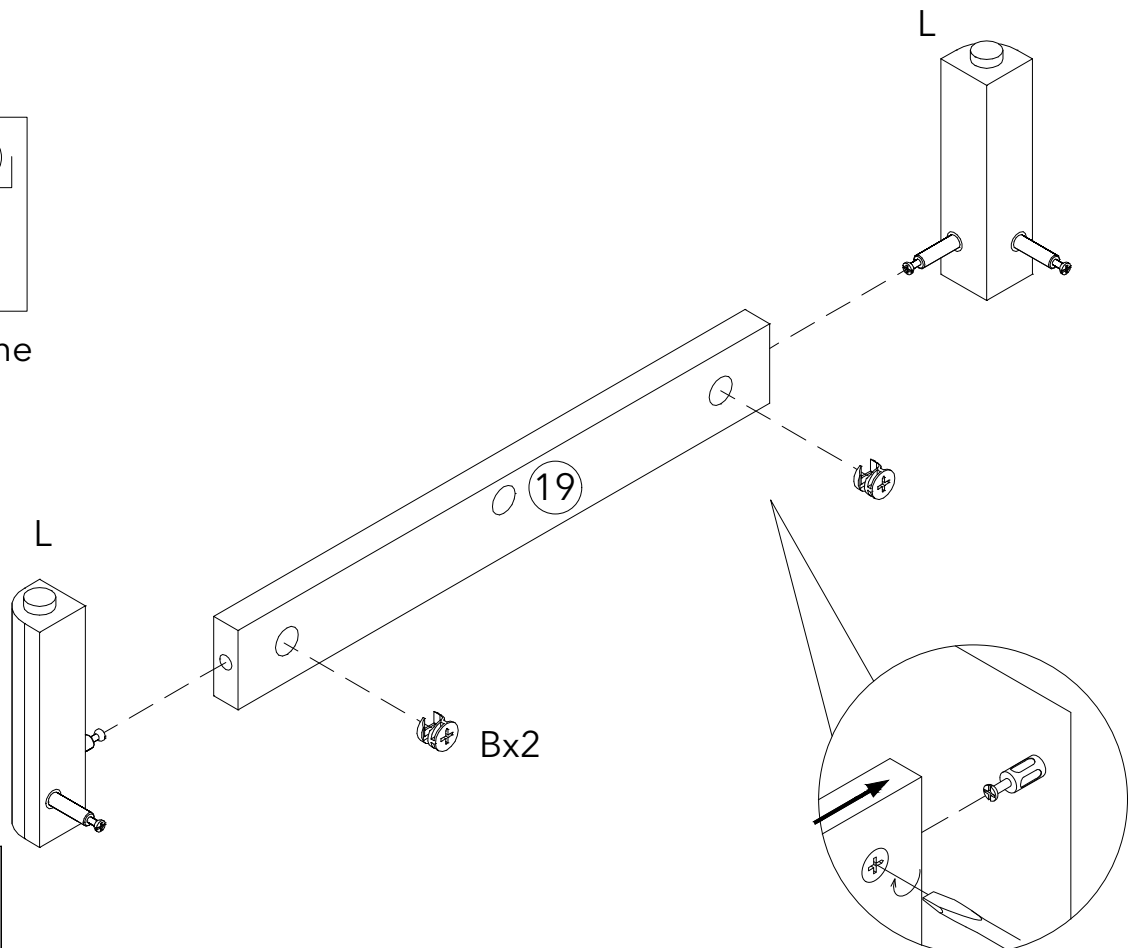


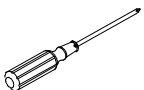

		
A	M6x40mm 8pcs	L H122 4pcs

Step 2: x2

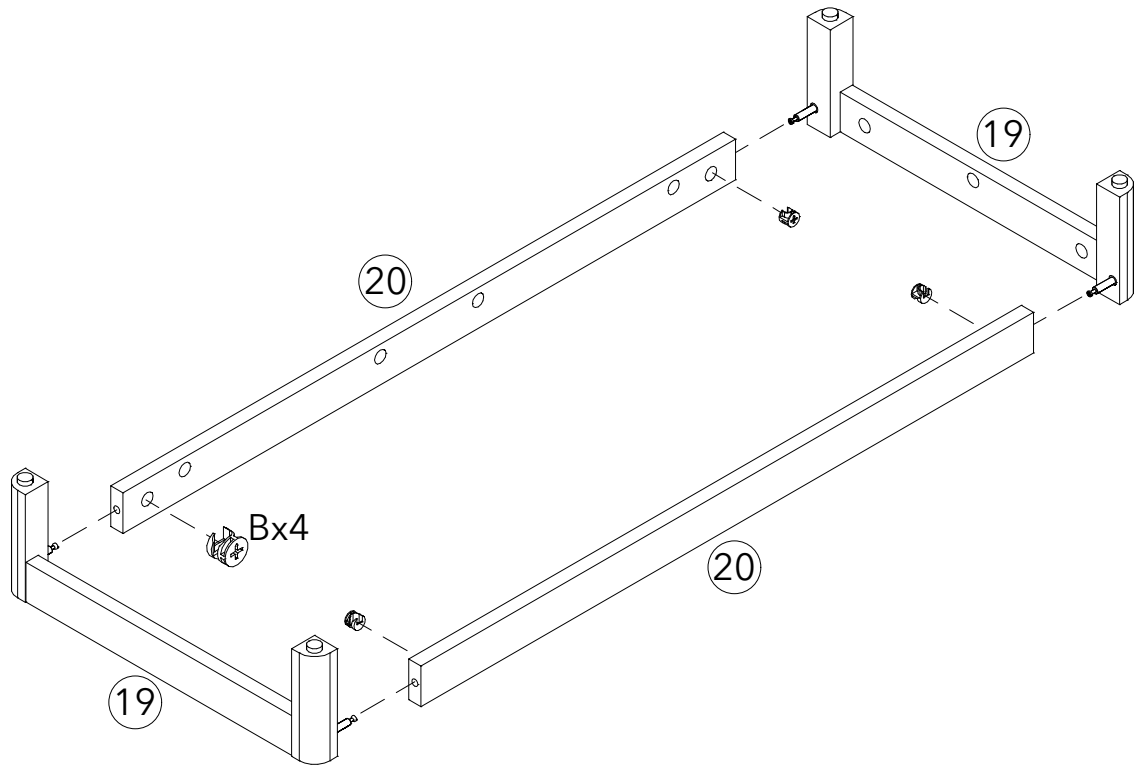


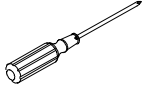

Please note that the locking cam faces outwards



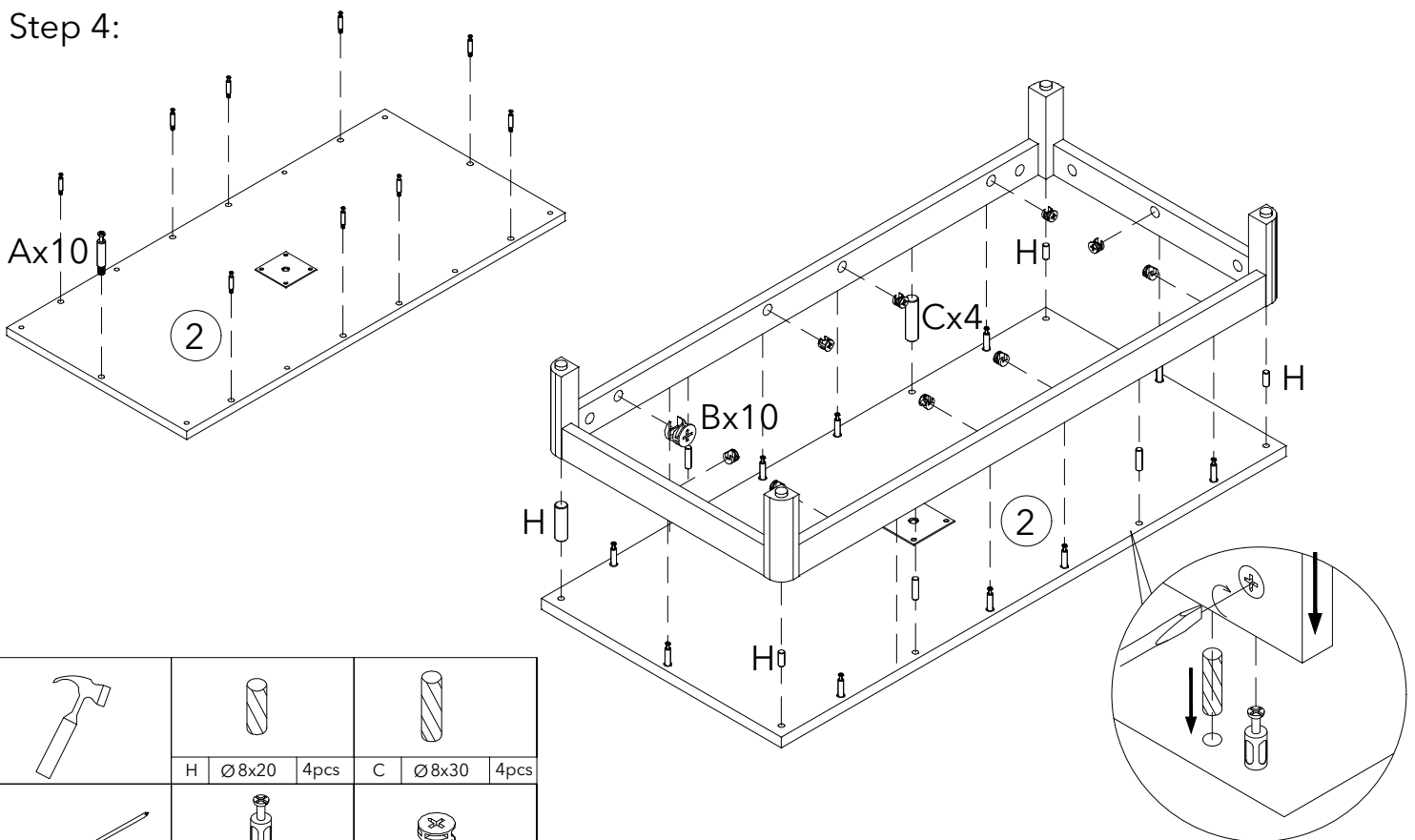
	
B	Ø15x11.5 4pcs




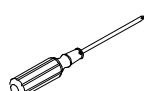


### Step 3:



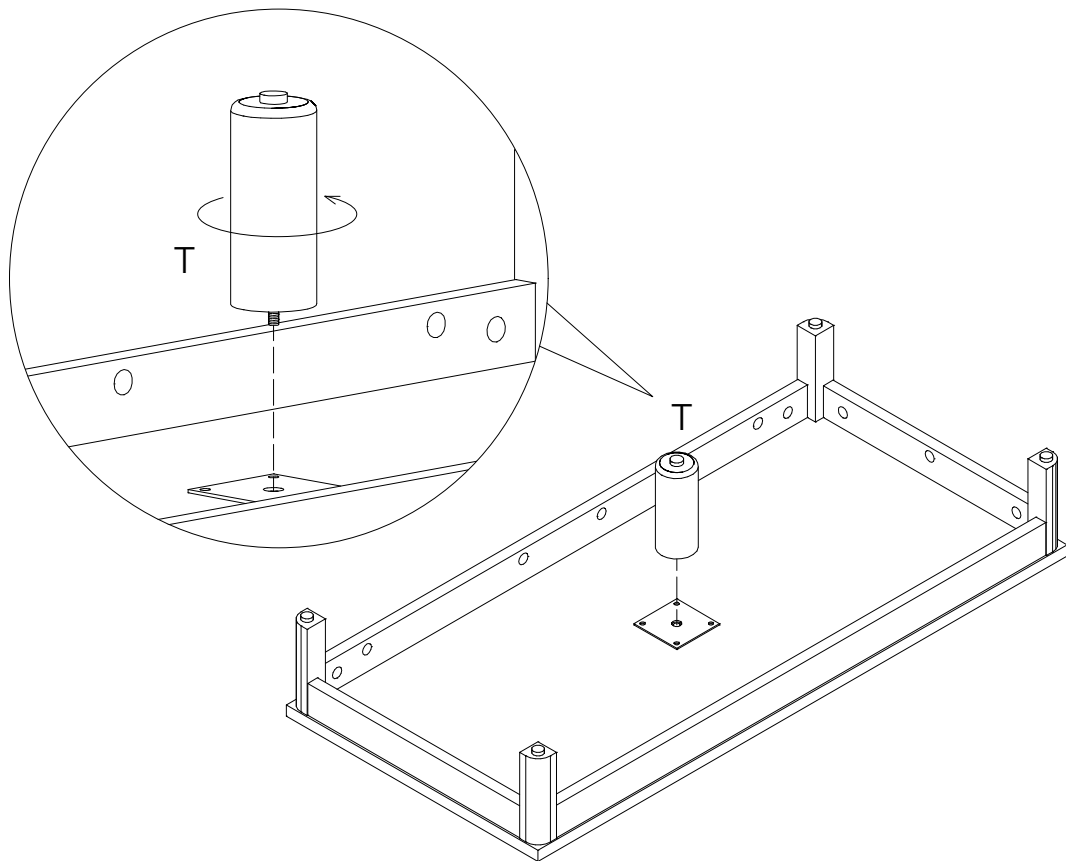
	
B	Ø15x11.5 4pcs


### Step 4:



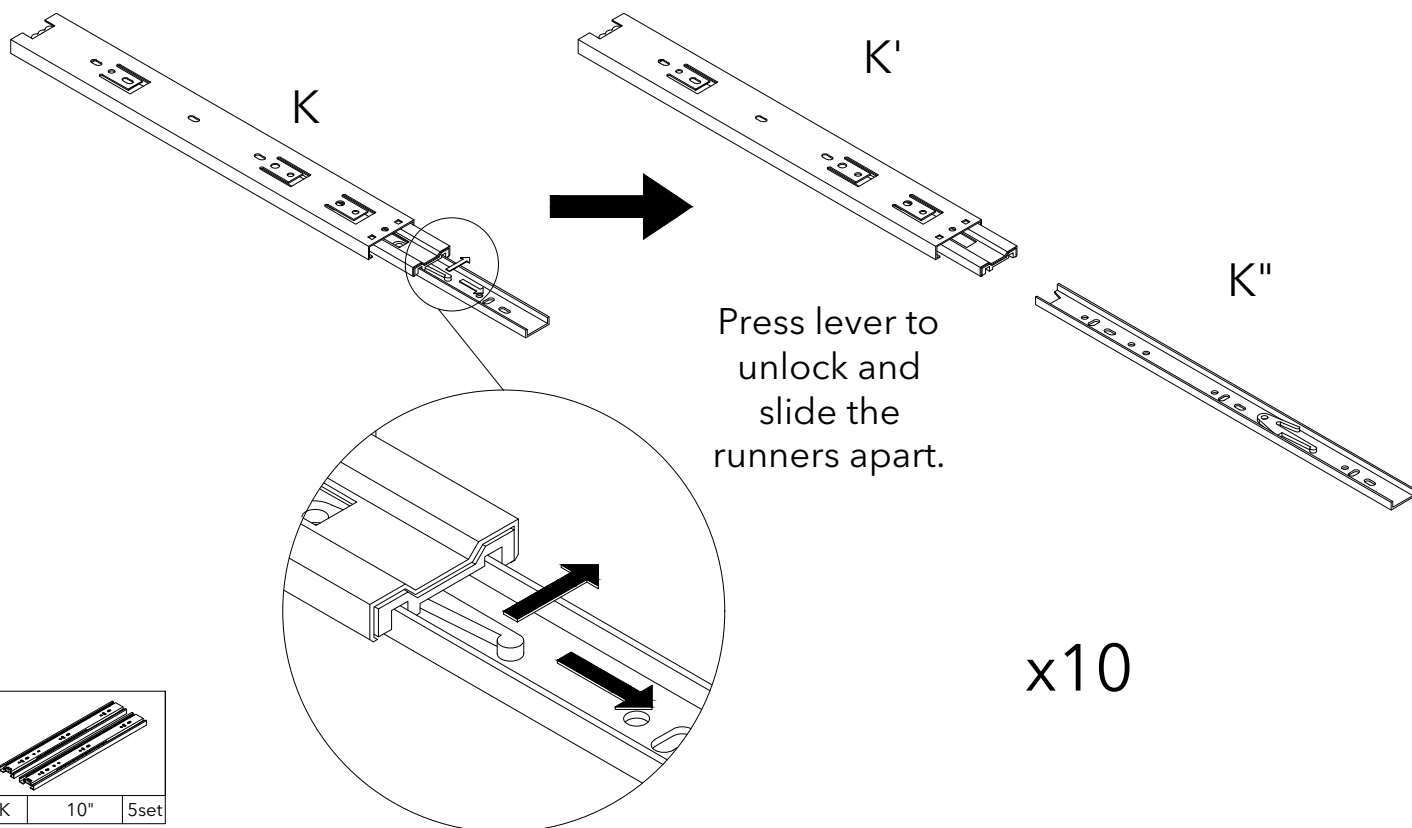
			
H	Ø8x20 4pcs	C	Ø8x30 4pcs
			
A	M6x40mm 10pcs	B	Ø15x11.5 10pcs

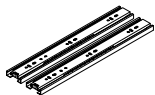
Step 5:



		
T	H119	1pc

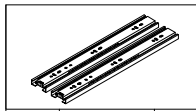
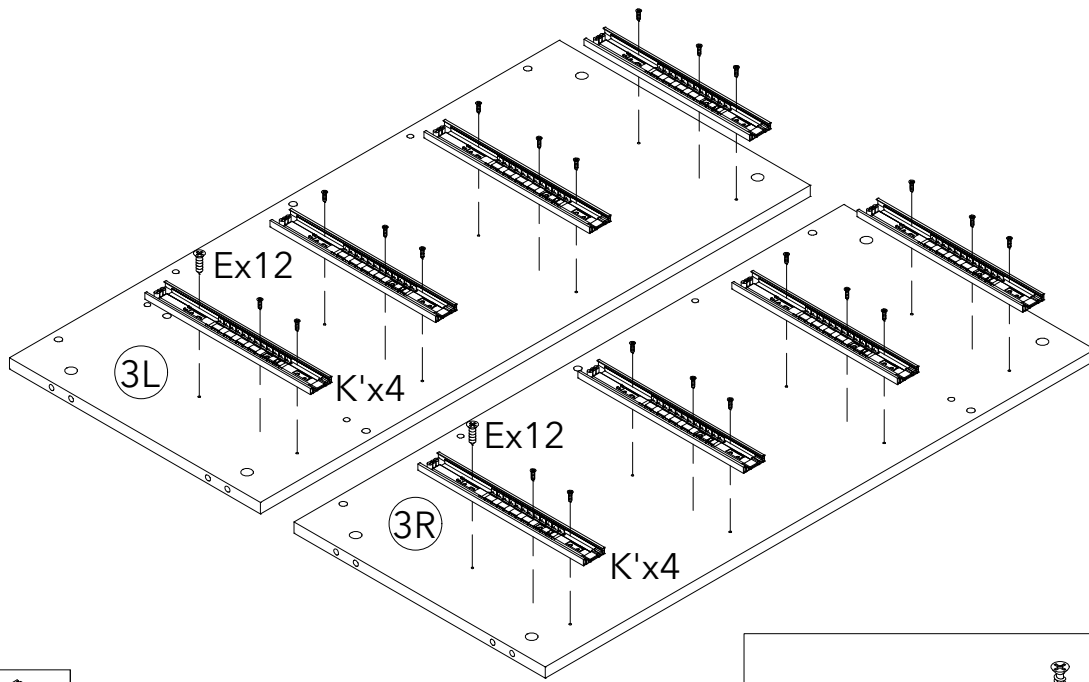
Step 6:



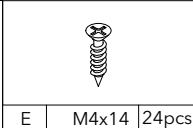
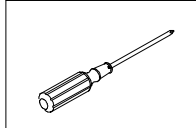
		
K	10"	5set



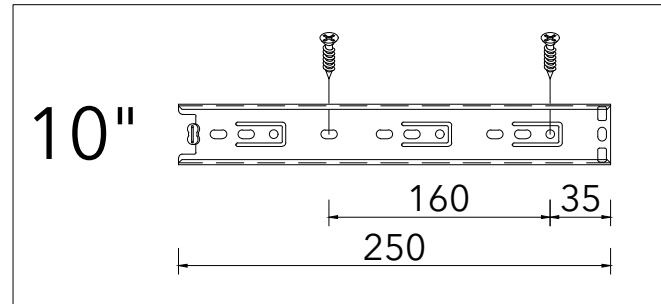
Step 7:



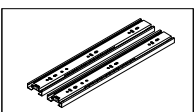
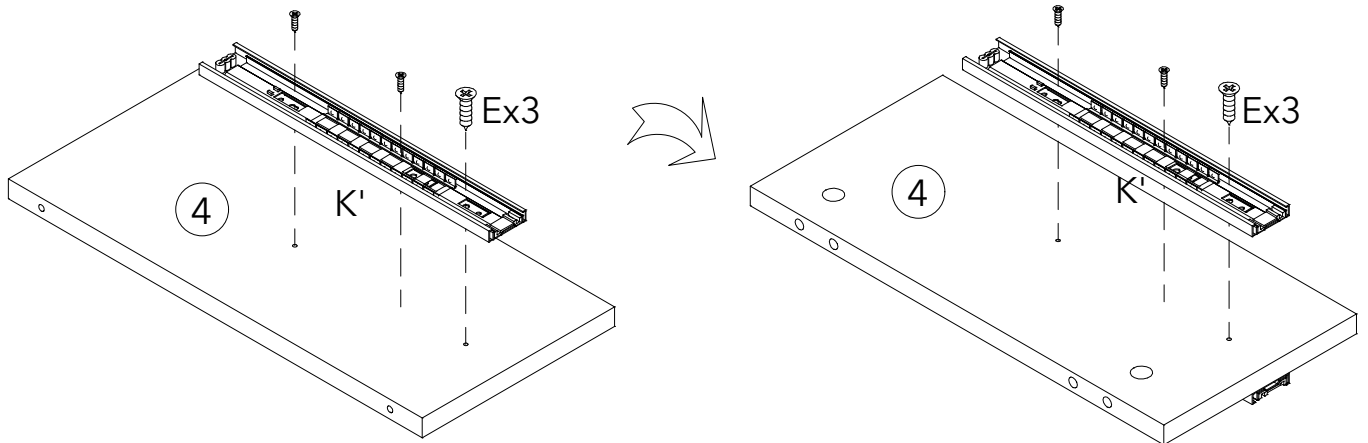
K 10" 4set



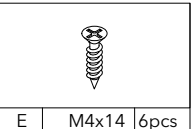
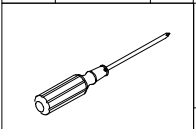
E M4x14 24pcs



Step 8:

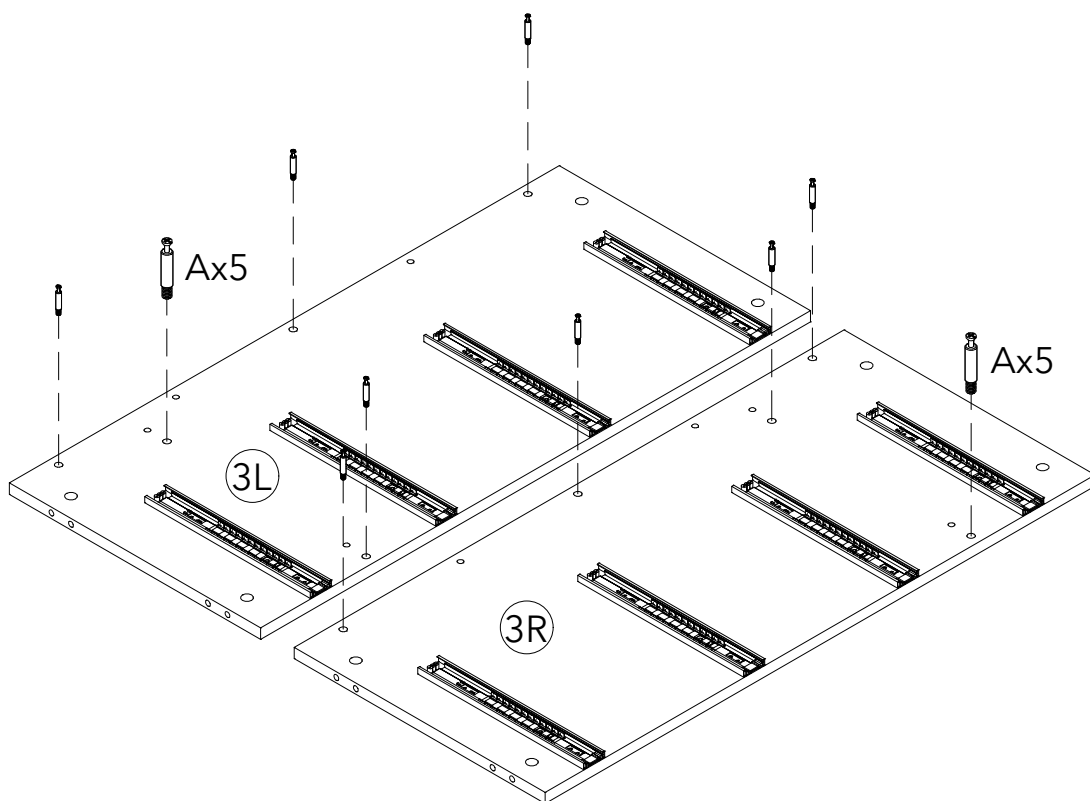


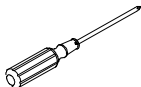

K 10" 1set



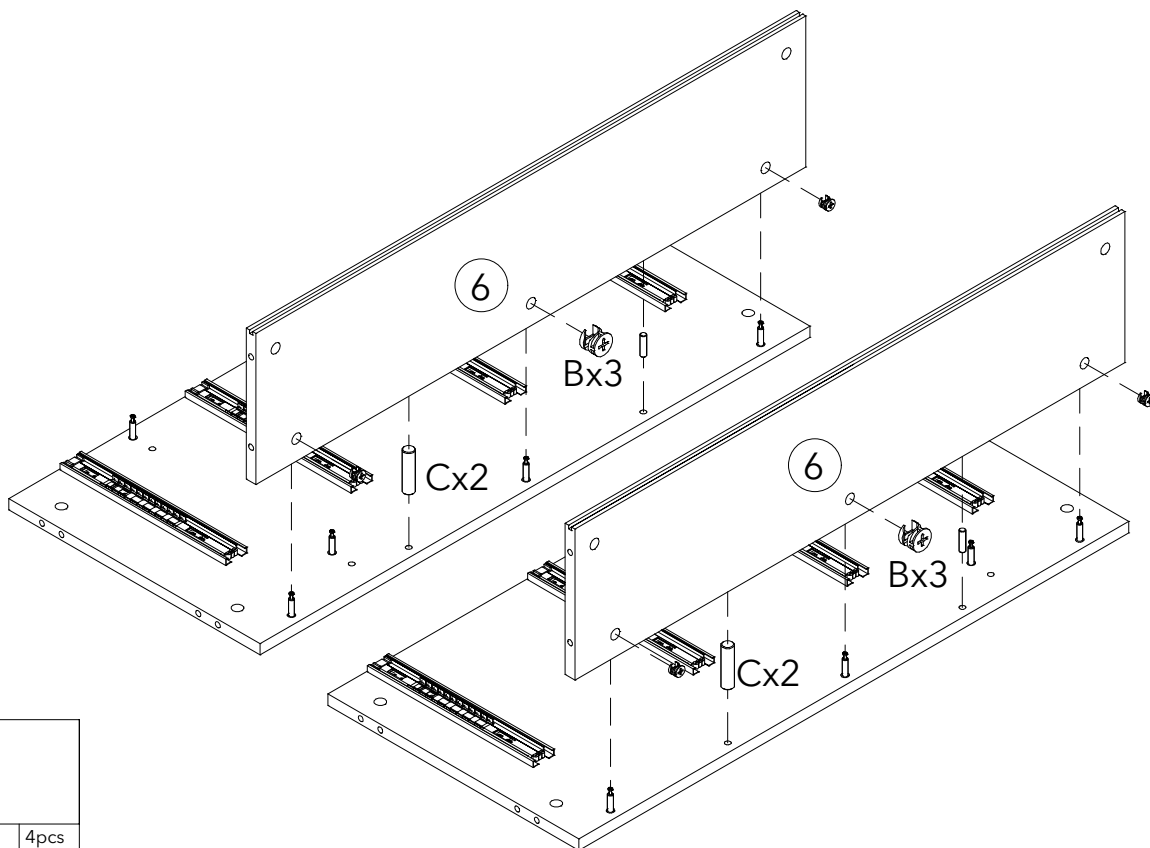
E M4x14 6pcs


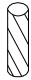
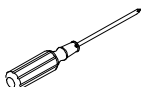

Step 9:



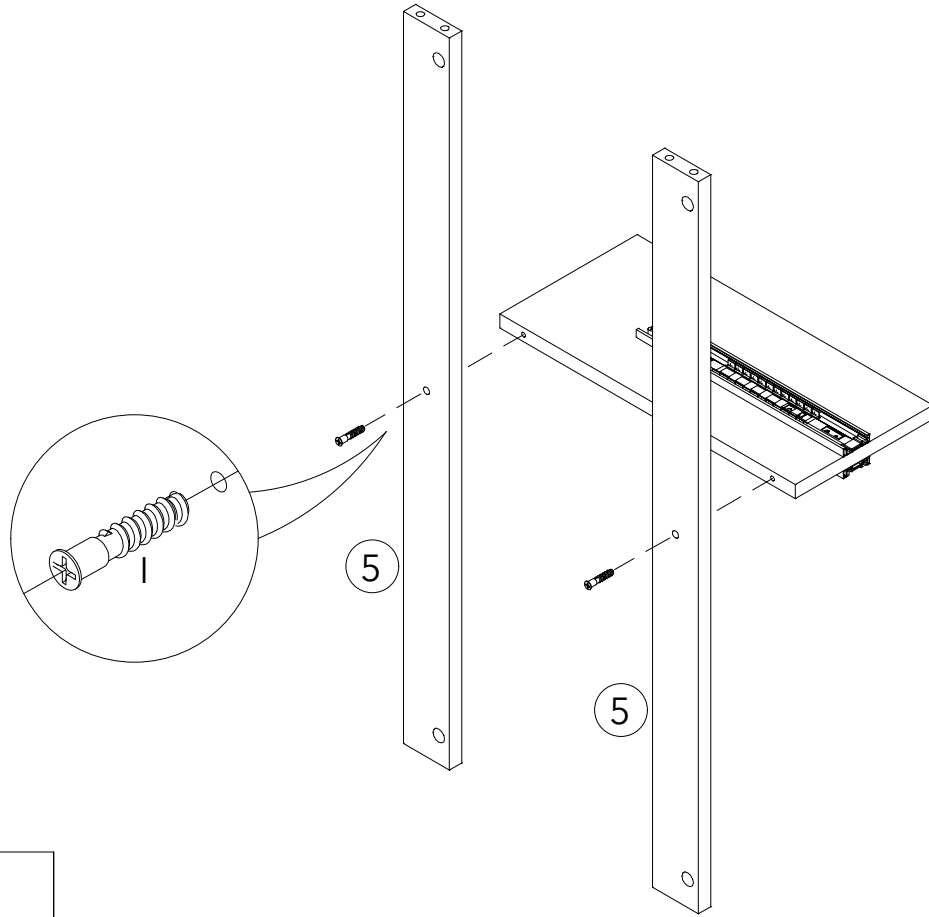
	
A	M6x40mm 10pcs

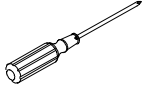

Step 10:



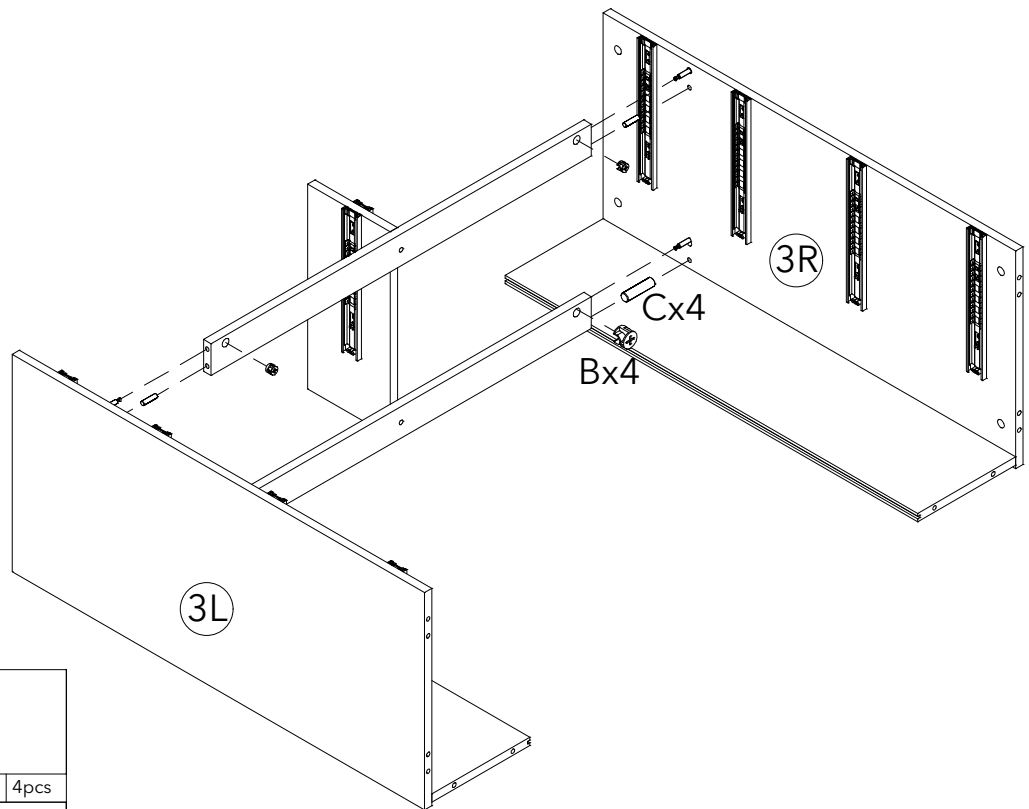
	
C	Ø8x30 4pcs
	
B	Ø15x11.5 6pcs


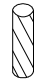
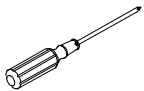

Step 11:



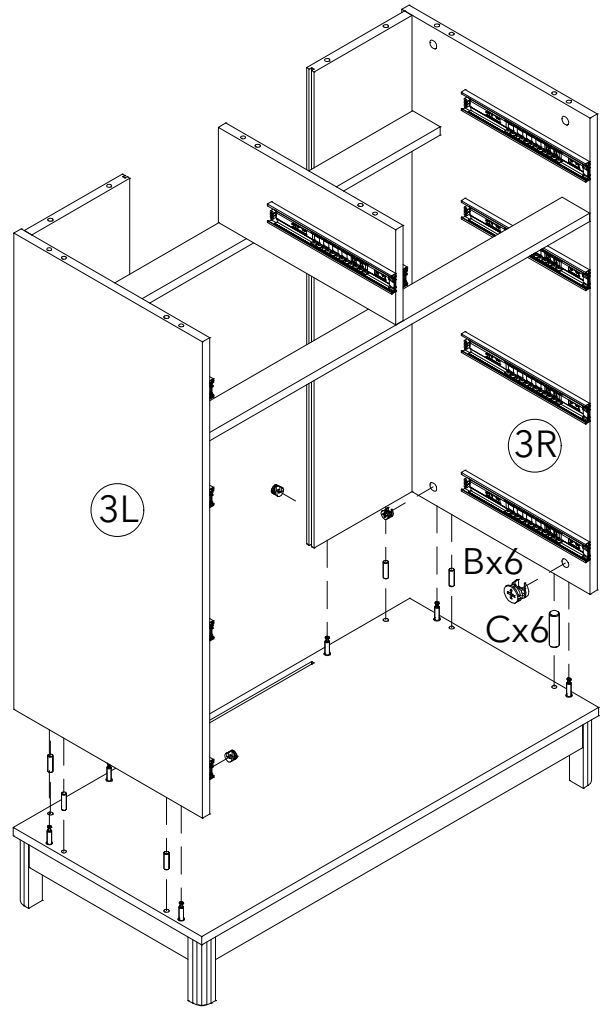
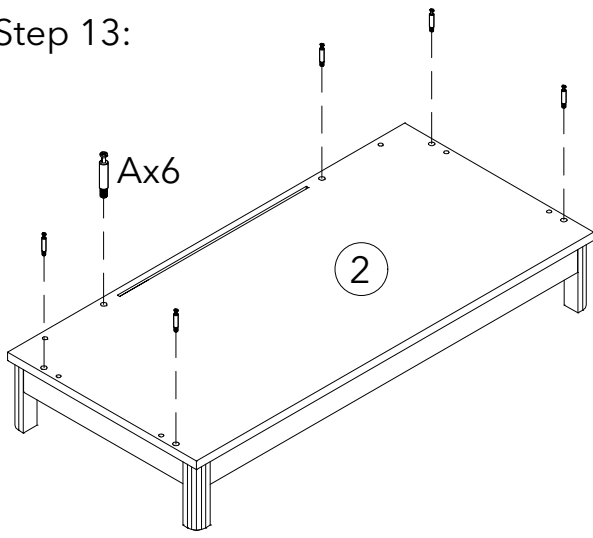
	
I	M7x50mm   2pcs


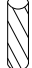
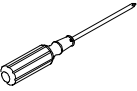


Step 12:



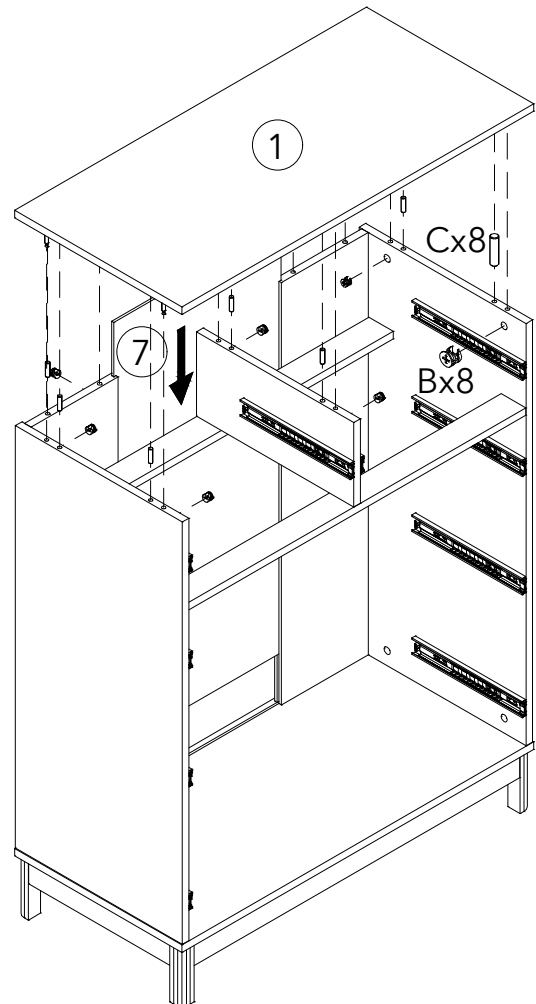
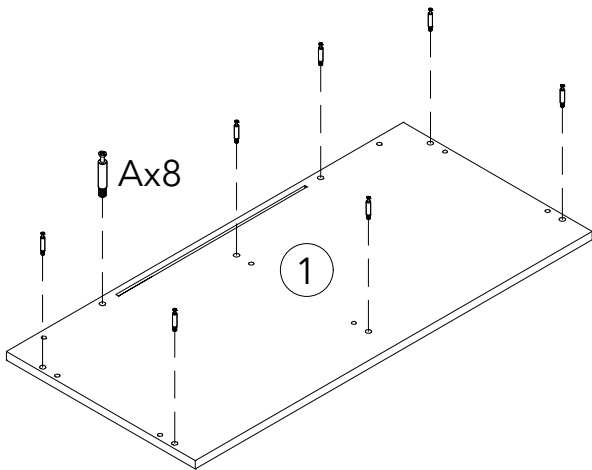
	
C	Ø8x30   4pcs
	
B	Ø15x11.5   4pcs



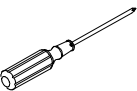


Step 13:



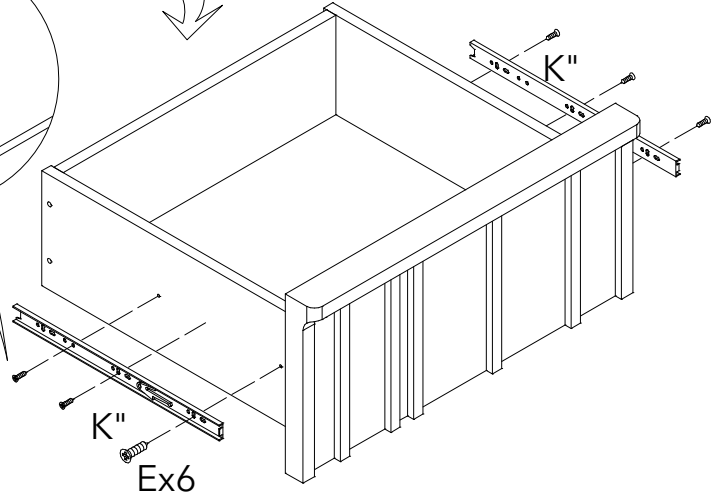
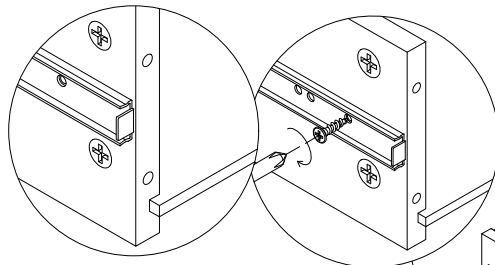
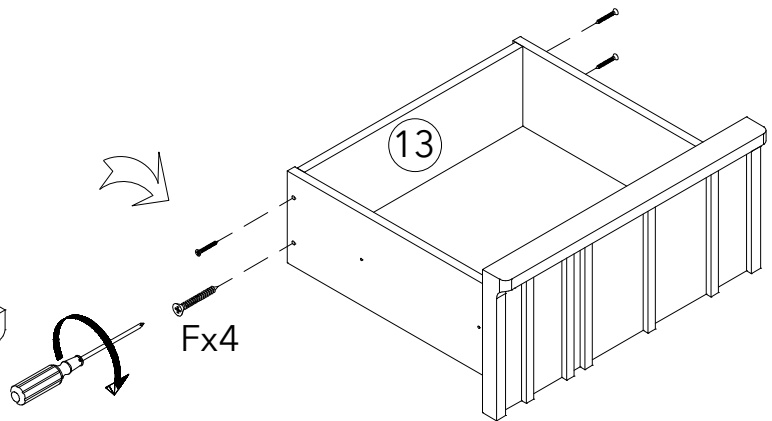
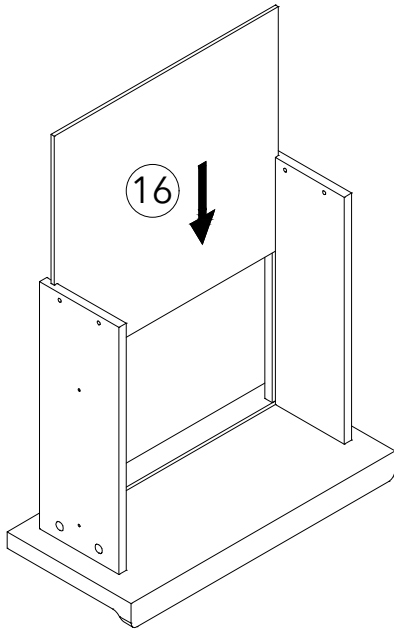
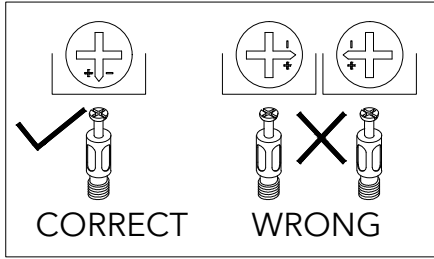
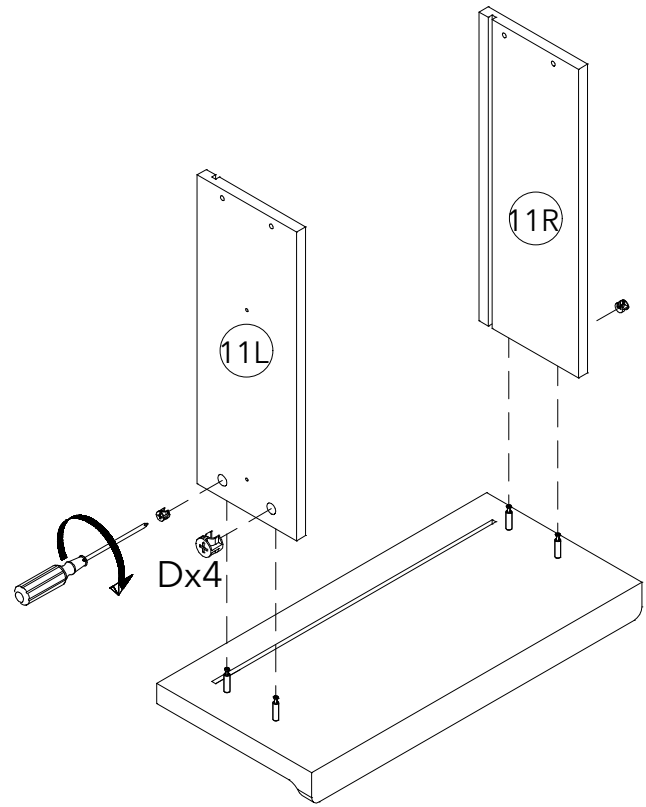
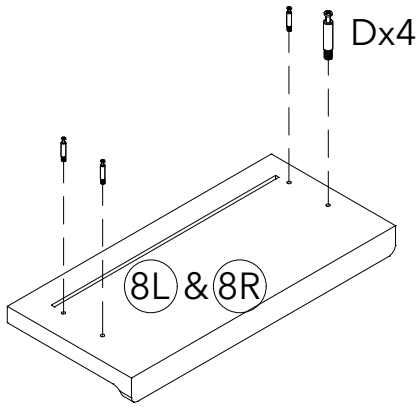
		C	Ø8x30	6pcs
		A	M6x40mm	6pcs
		B	Ø15x11.5	6pcs

Step 14:



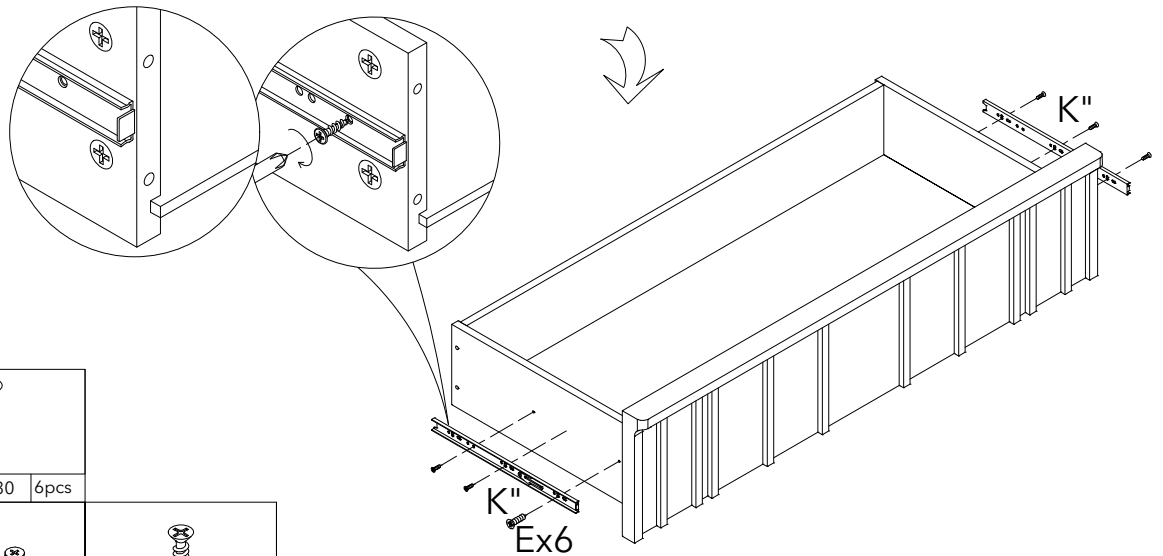
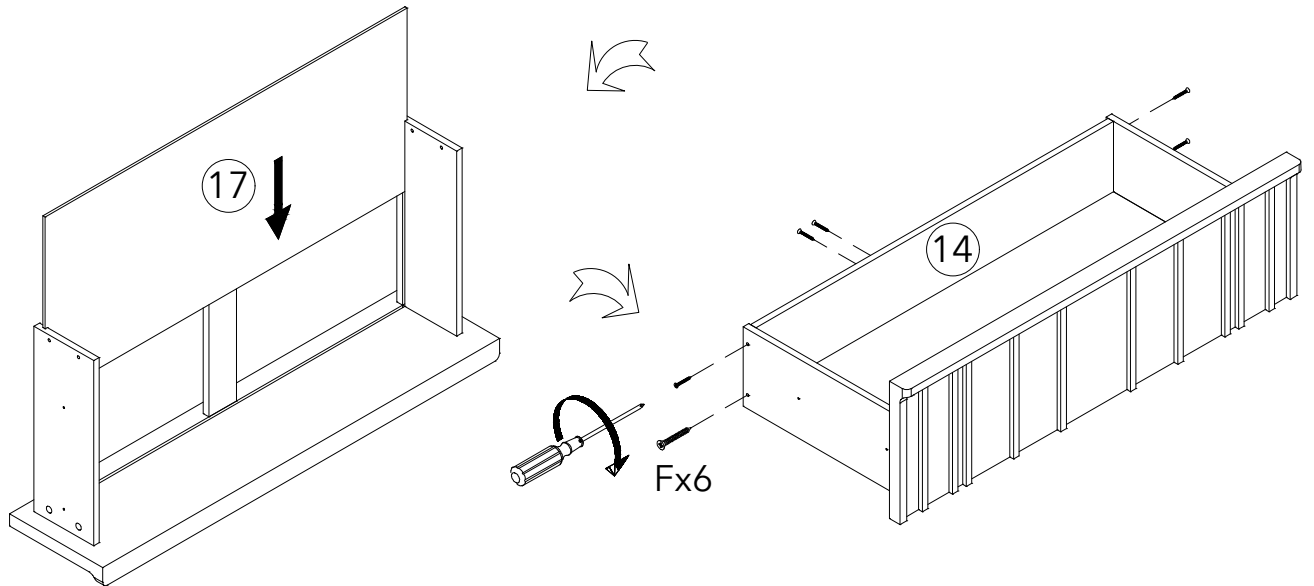
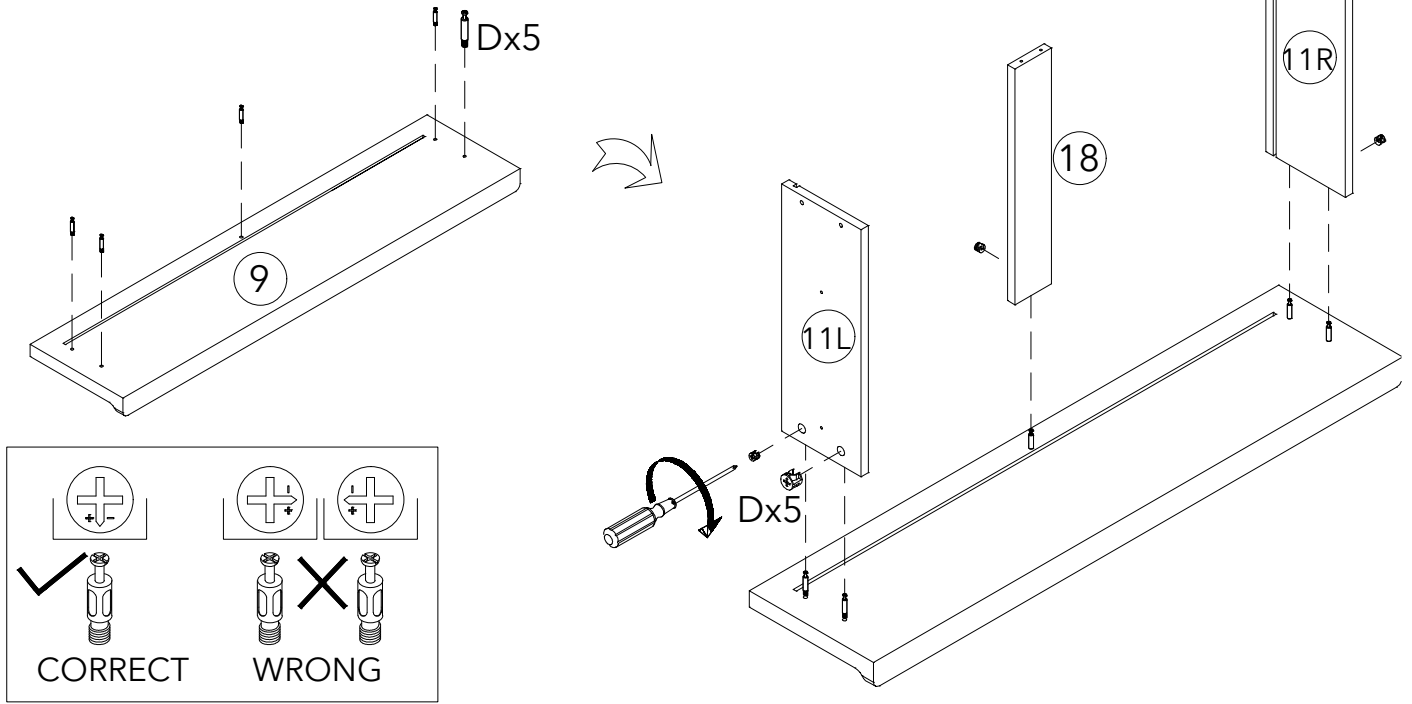
		C	Ø8x30	8pcs
		A	M6x40mm	8pcs
		B	Ø15x11.5	8pcs

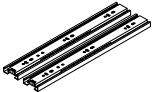

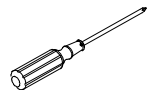

Step 15: x2



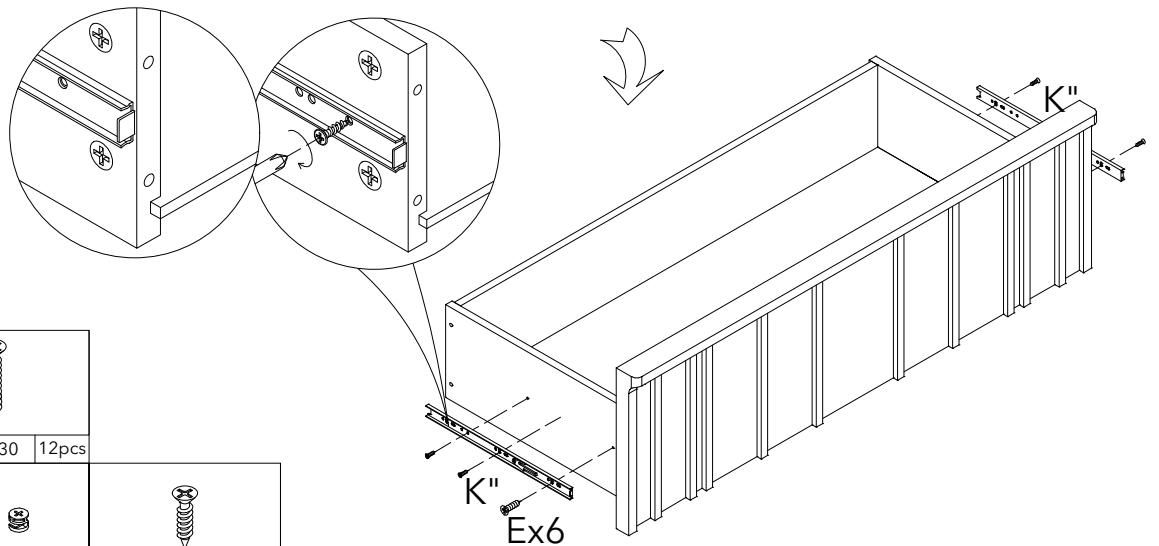
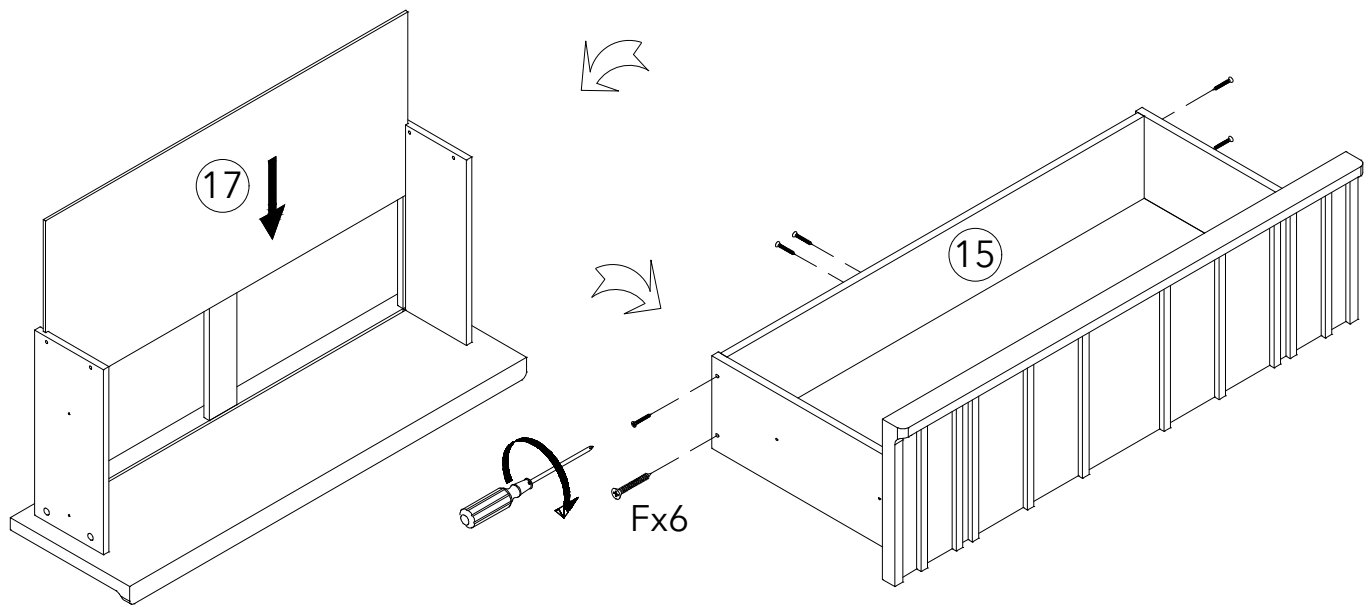
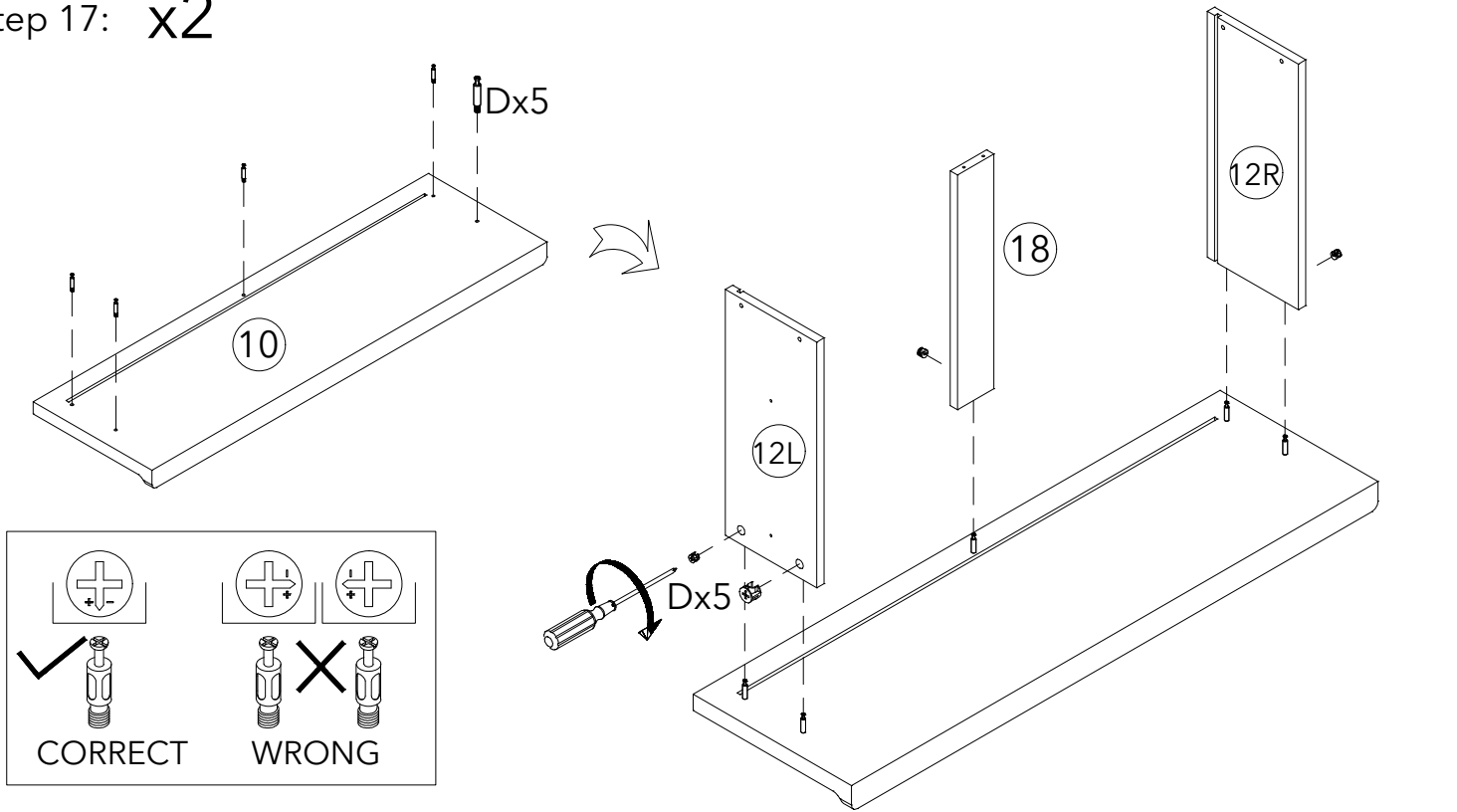
K	10"	2set	F	M4x30	8pcs
D	φ12x10mm	8set	E	M4x14	12pcs

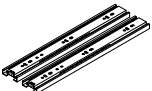

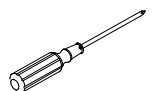

Step 16:



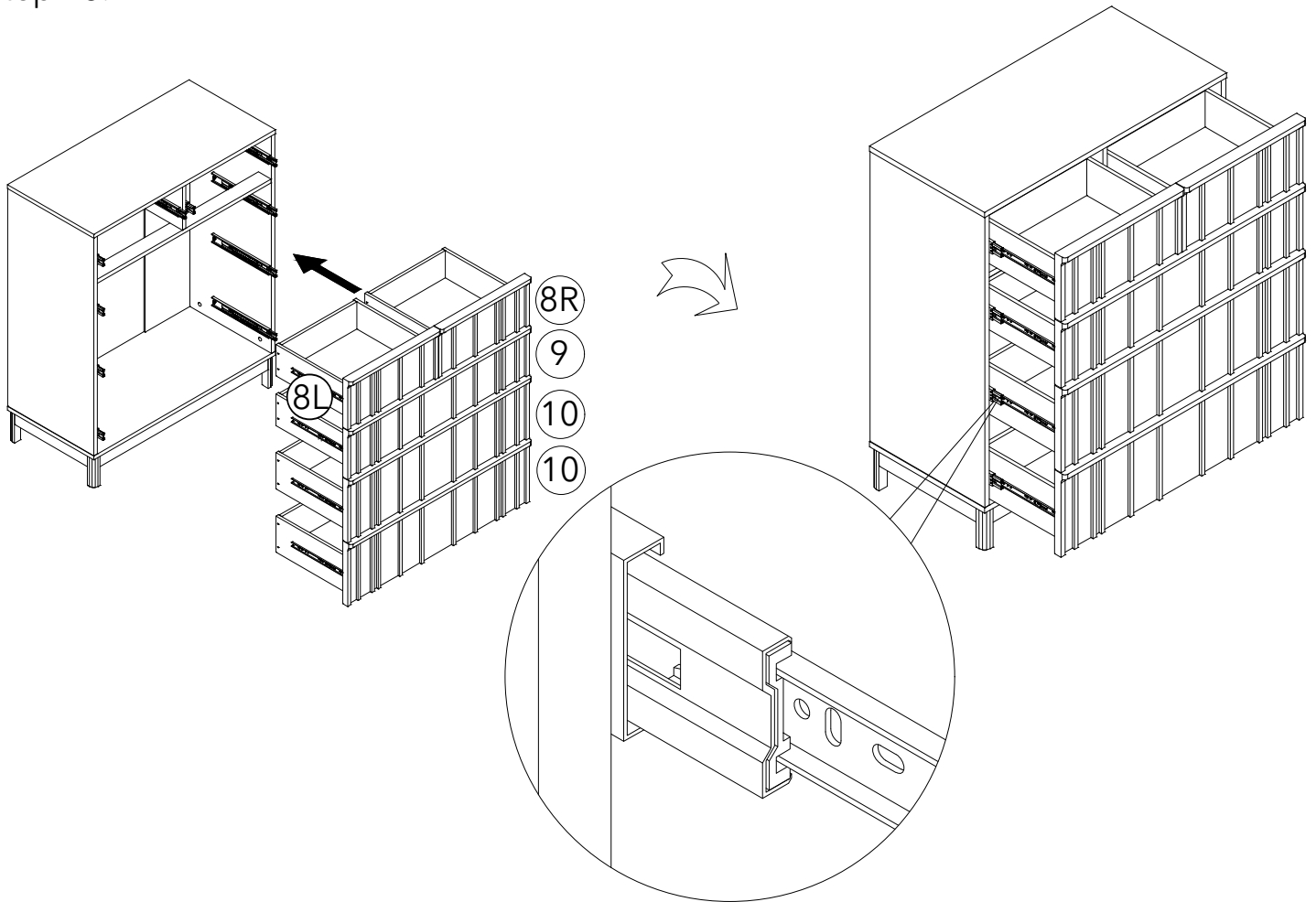
						
K	10"	1set	F	M4x30	6pcs	
						
	D	φ12x10mm	5set	E	M4x14	6pcs

Step 17: x2

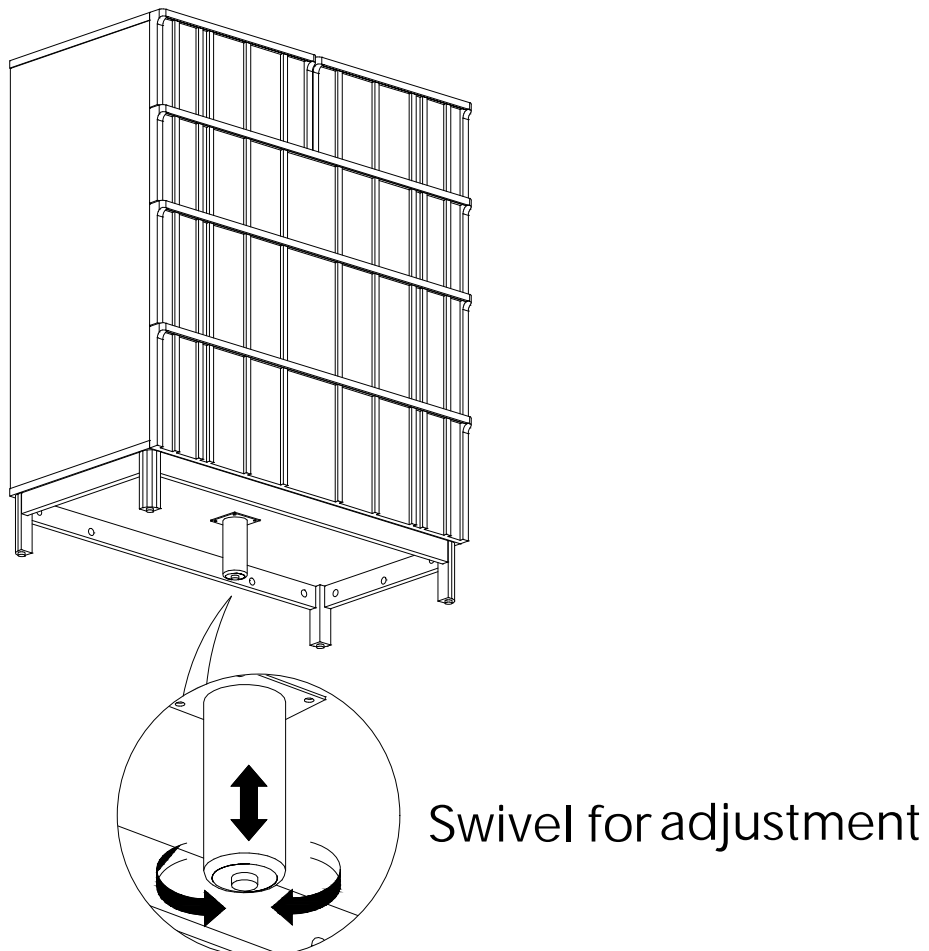


	
K 10" 2set	F M4x30 12pcs
	
D $\phi$ 12x10mm 10set	E M4x14 12pcs

Step 18:

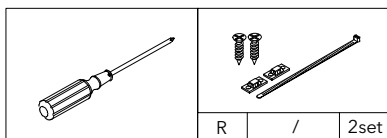
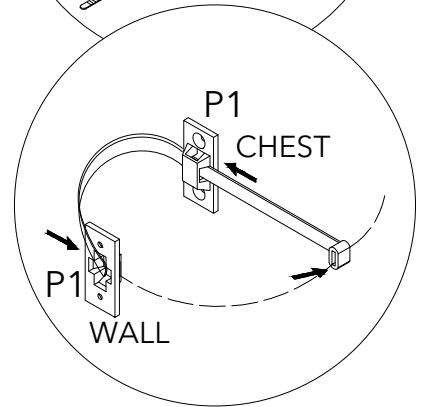
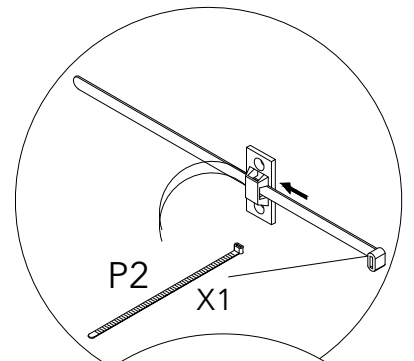
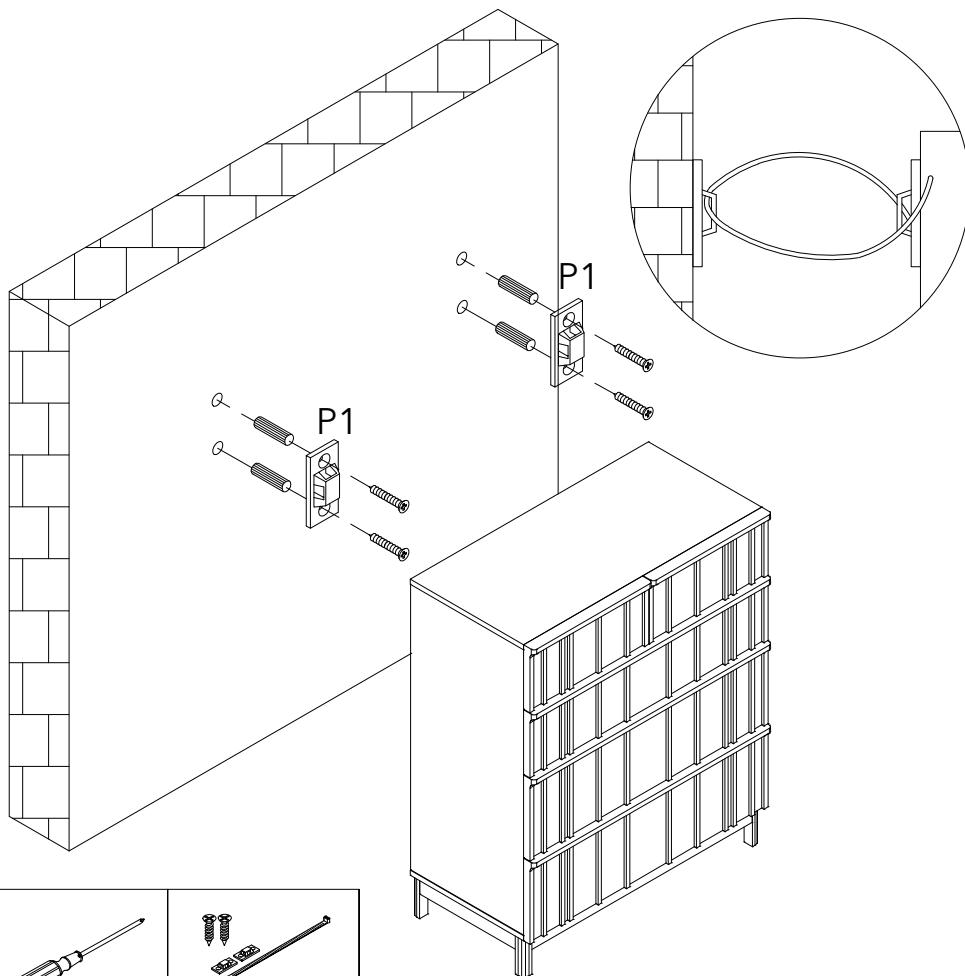
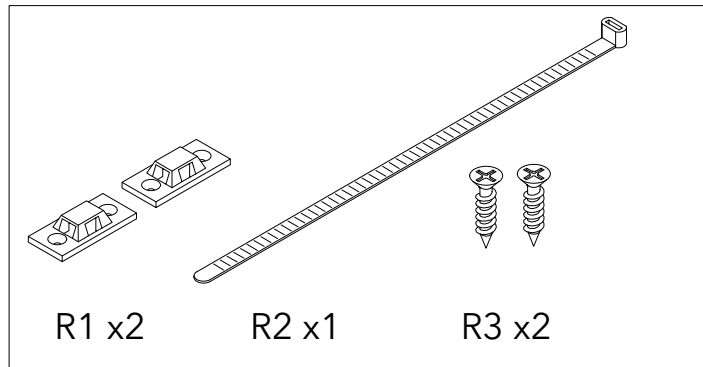
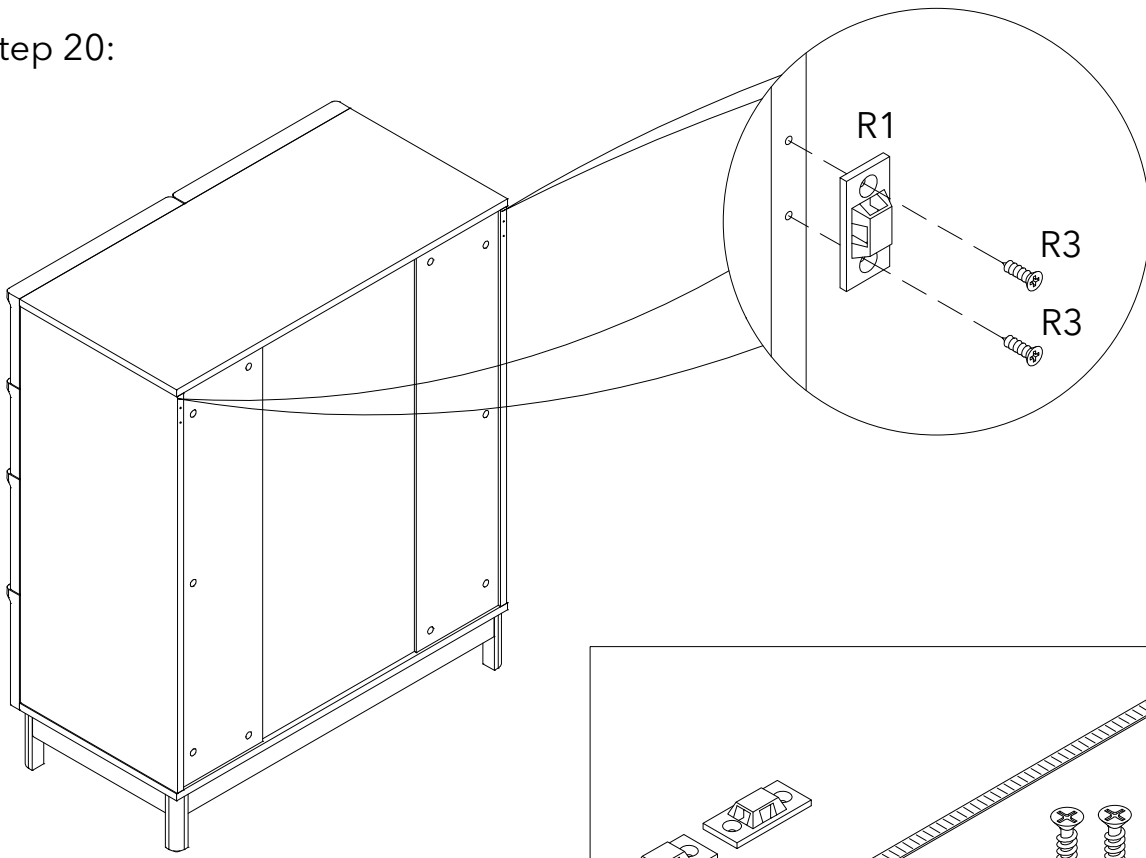


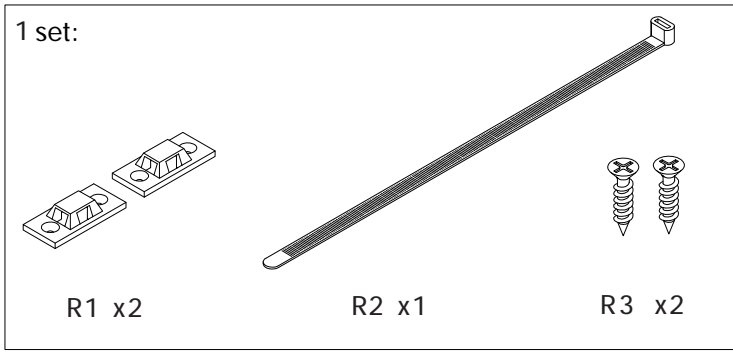
Step 19:





Step 20:





**Important note:**

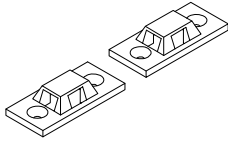
It is essential that this product is fixed to a wall using the strap supplied. Wall fixings are not supplied. Different walls require unique wall fixings. For advice on suitable wall fixings, contact your local specialised dealer.

- a. With help, move the chest into position. Mark fixing holes on wall and remove the chest.
- b. Using suitable wall fixings, fix plastic bracket **R1** to the wall.
- c. Move the chest closer to the wall, and pass flat end of the cable tie **R2** through the plastic bracket **R1** on the wall, then fix the other **R1** on the back of the chest side.
- d. Insert the flat end of the cable tie into the buckle of the cable tie, then tighten the cable tie.

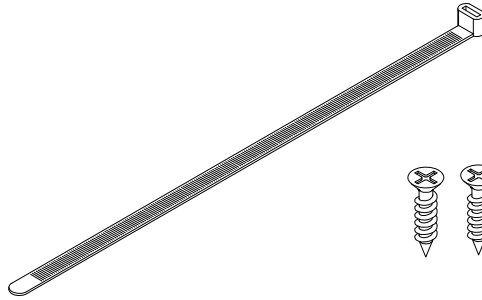
---

# Wall fixings

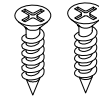
---



R1 x2



R2 x1

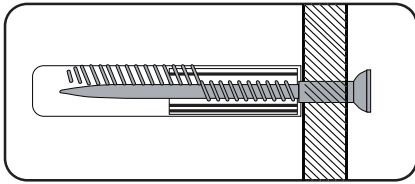


R3 x2

- This wall fixing is provided for your safety and we recommend that once in position the unit is secured to the wall for extra stability.
- Wall fixings may vary depending on item of furniture purchased.
- Wall fittings are not provided as different wall types require different raw plugs and screws.
- Please ensure that you use fittings that are suitable for your wall type (see next page for a general guide).
- Please ensure that the head of the screws used has a diameter greater than the diameter of the hole on the wall fixing and that the fixing is safe and secure before using.
- When drilling into the walls, always ensure there are no hidden wires or pipes.
- If you are unsure, we recommend you consult a qualified Trades person.

# Wall fixings

Follow this step-by-step guide



## IMPORTANT:

When drilling into walls always check there are no hidden wires or pipes etc. Make sure that the screws and wall plugs being used are suitable for supporting your unit. Consult a qualified tradesperson if you are unsure.

## HINTS

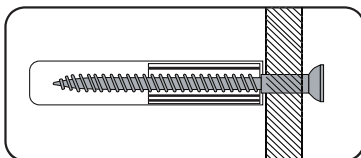
1. General Rule; Always use a larger screw and wall plug if you are not sure.
2. Ensure you use the recommended drill bit to match the wall plug and hole size.
3. Ensure you drill the hole horizontally, do not force the drill or enlarge the hole.
4. Take extra care when drilling high walls, ceilings and ceramic tiles. Ensure the plug is fitting below the ceramic tile to avoid splitting or cracking.
5. Ensure wall plugs are well fitted and are a tight fit in the drilled hole.

### Types of Walls

You can use one of the following types of wall plug if your walls are made of brick, breeze block, concrete, stone, wood or plastic board.

#### 1. STANDARD Wall Plug

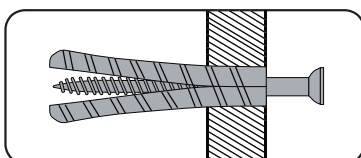
General wall materials



These come in various sizes and are made from plastic or sometimes wood fibre.

#### 2. GENERAL PURPOSE Wall Plug

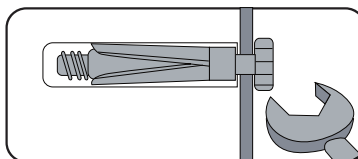
Aerated/Breeze block



Generally aerated blocks should not be used to support heavy loads, use a specialist fitting in this case. For light loads, a General Purpose Plug can be used.

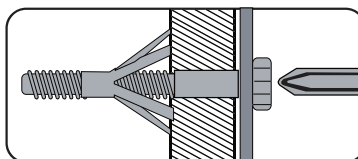
#### 3. SHIELD ANCHOR Wall Plug

Heavy loads



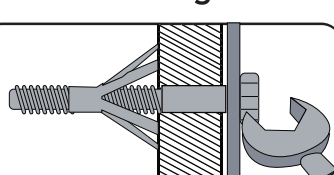
For use with heavier loads such as TV & Hi-fi Speakers and Satellite Dishes etc.

#### 4. CAVITY FIXING Wall Plug



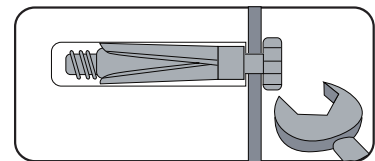
For use with plaster board partitions or hollow wooden doors.

#### 5. CAVITY FIXING HEAVY DUTY Wall Plug



For use with plaster board partitions or hollow wooden doors.

#### 6. HAMMER FIXING Wall Plug



For use with walls stuck with plaster board. The hammer fixing allows it to be fixed to the wall rather than the plaster board. Always check the fixing is secure to the retaining wall.

## CARE & MAINTENANCE

### ! Safety

Always check the fitting and location to ensure your safety in and around the home.

### ! Fitting

From time to time check the fitting to ensure the wall plugs or screws do not become loose.

---

# Furniture care advice

---

## Furniture care advice

Only clean using a damp cloth and mild detergent, do not use bleach or abrasive cleaners.

From time to time check that there are no loose screws on this unit.

Strong direct sunlight can affect the colour dramatically, so try to avoid this as much as possible, we also recommend that any ornaments, coasters and items placed on the product are periodically moved around to allow the colour to mellow evenly.

Always use mats and coasters to protect the surface when placing items on the furniture. This will help to protect the finish from heat, liquids or items that might scratch your furniture.

If items are to be placed on the surface of your furniture and have rubber feet, it is advisable to use mats to prevent marking.

Always lift your furniture into place, avoid dragging it across the floor as this can cause damage to joints.

Protectors are securely fitted and in place.

When placing furniture on a wooden or laminate floor, please ensure that the plastic or felt Remove any spills immediately to avoid staining.

Dust regularly with a soft lint free cloth or duster.

Uneven floors could give the impression that doors of wall units and wardrobes are out of alignment. Be aware of this and compensate if necessary by adjusting the hinges or packing a corner to level the item. Please refer to the instructions, included with your furniture, and adjust accordingly.

If your furniture becomes stained, scratched, chipped or suffers other damage, we recommend professional help is sought to restore it. Please contact our customer services line for recommended agents.

Always follow fitting instructions carefully and retain them for future use.