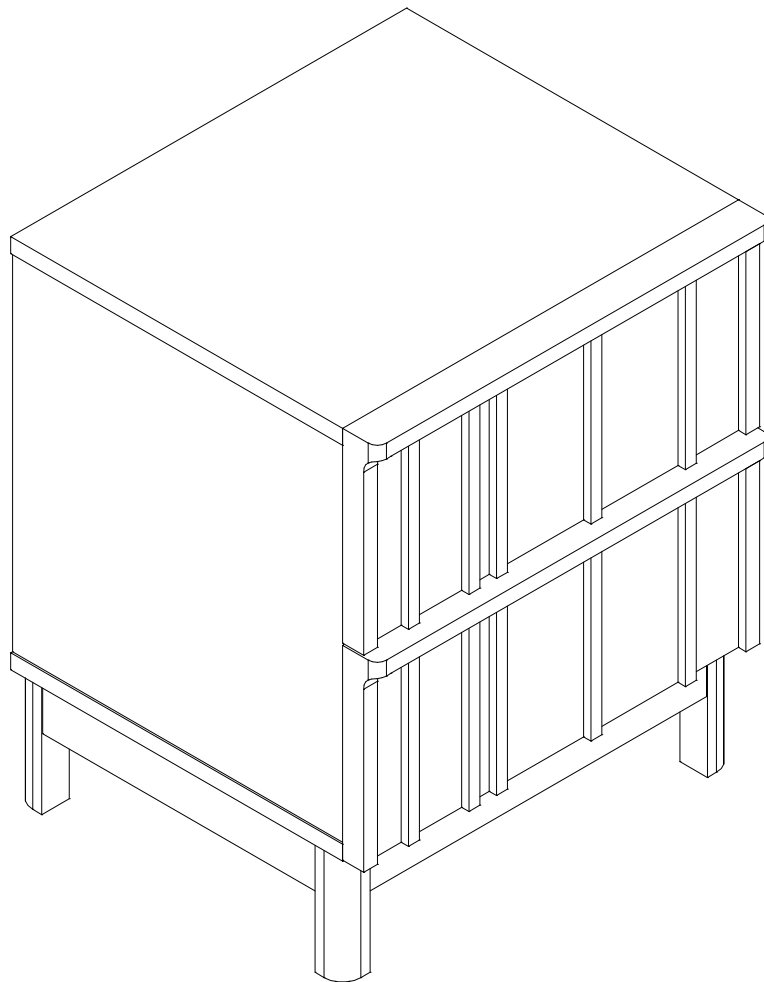


# Elements

# Thompson 2 Drawer Bedside

INSTRUCTIONS



[www.dunelm.com](http://www.dunelm.com)

---

# Thank you

---

## Dear Customer

Thank you for purchasing your new piece of furniture from Dunelm. We put a lot of effort in the design and construction of our products to ensure they set the standard for quality, durability and ease of assembly.

If for any reason you feel we haven't lived up to the high standards we set ourselves, please don't hesitate in contacting us on 03451 656565 where our team will be very keen to understand what has gone wrong and, more importantly, put it right.

## The next step...

There is no need to feel daunted by the number of parts and fitting in front of you, we have compiled this straight forward, step-by-step guide to make sure that assembling your furniture is as easy as 1, 2, 3. Before you begin, we advise that you check that you have everything you need to get started.

## Top tip

Find a space to spread everything out across the floor before you begin assembling the item. Lay each panel down on a clean and level area, ideally in the room of intended use, ensuring there is enough room to manoeuvre around the item. It is recommended that two people assemble this product together. The full list of furniture parts, fixtures and fittings, as well as the tools you will need for assembly can be found on page 2 and 3 of this manual.

## Top tip

Identify all of the fittings, make sure that you have them all prepared and familiarise yourself with each component, to make things easier when you are putting it all together.

## Safety and care advice

**IMPORTANT** - The first step you need to take is to ensure your safety! Please take the time to read and understand these instructions before assembling your furniture.

Please keep these instructions for future reference.

Keep children and animals away from the assembly area. This furniture contains small parts that could cause choking if swallowed.

Keep all plastic wrapping materials away from babies and children to avoid danger of suffocation.

Ensure that all packaging is disposed of carefully and responsibly.

From time to time check that there are no loose fittings on the unit, re-tighten when necessary.

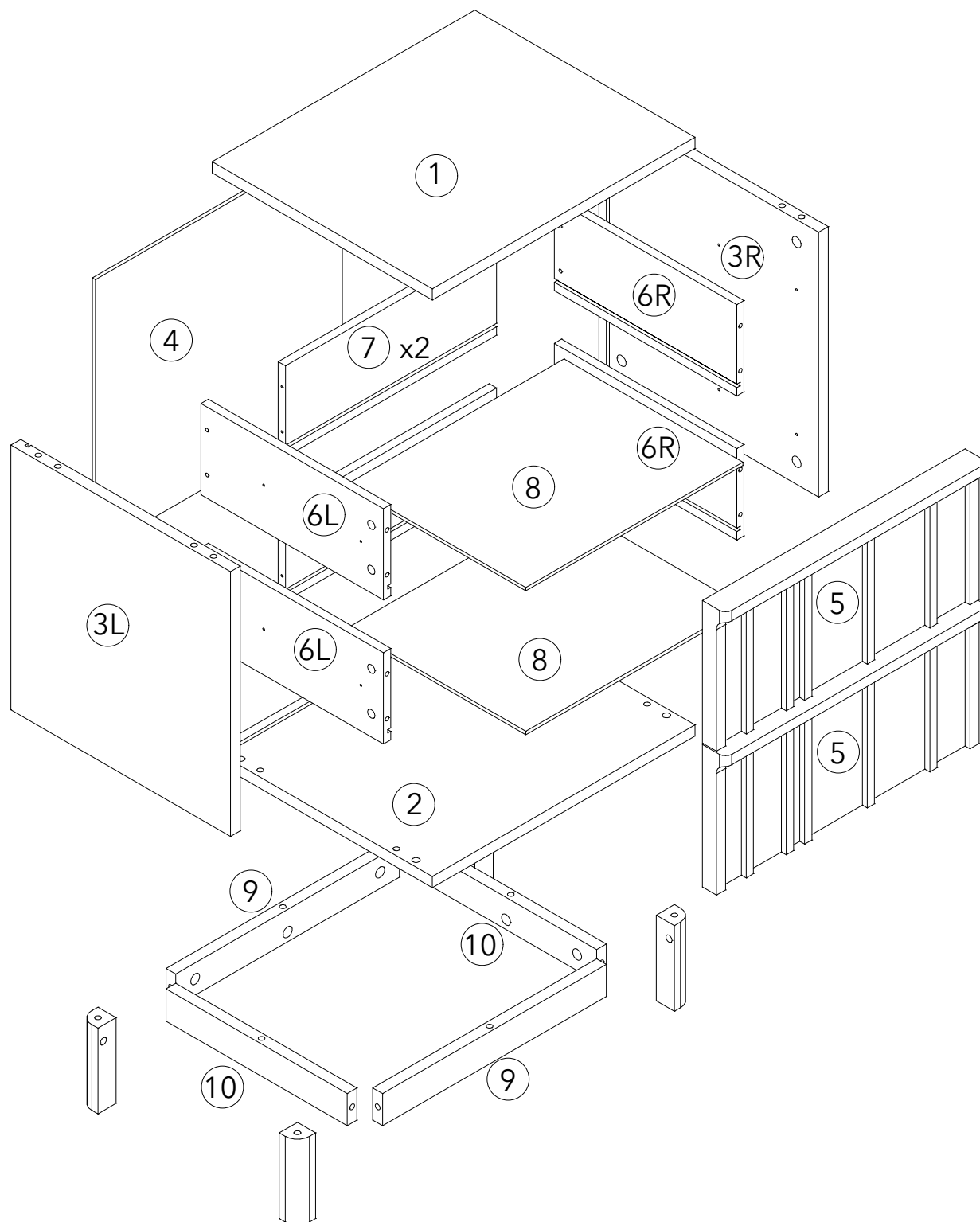
Two people may be required for the assembly of this product.

Once items are part or fully assembled they are not returnable unless faulty.

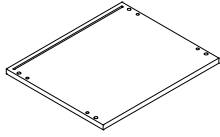
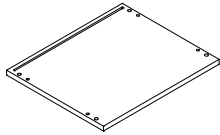
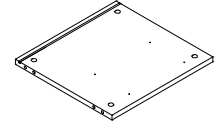
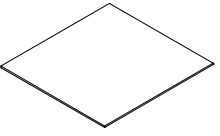
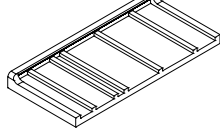
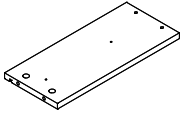
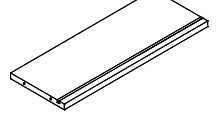
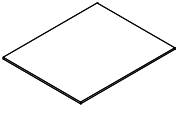
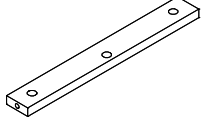
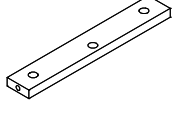
This item is not for outdoor use - unless stated otherwise.

Some items will be supplied with a wall fixing strap, which we recommend is used to secure the item to the wall, to prevent a child from accidentally pulling furniture over. Furniture can be dangerous if incorrectly installed. Assembly should be carried out by a competent person. No liability will be accepted for damage or injury caused by incorrectly installed or assembled furniture.

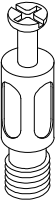

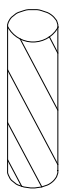
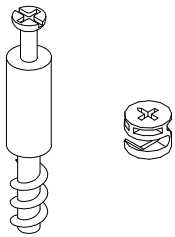
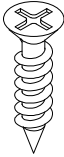
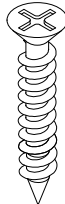
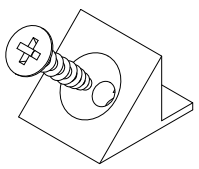
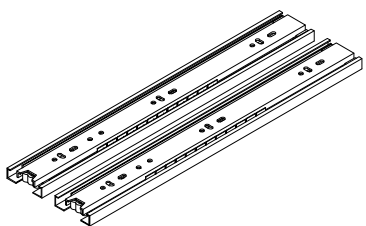
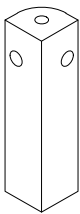
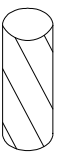
Exploded view



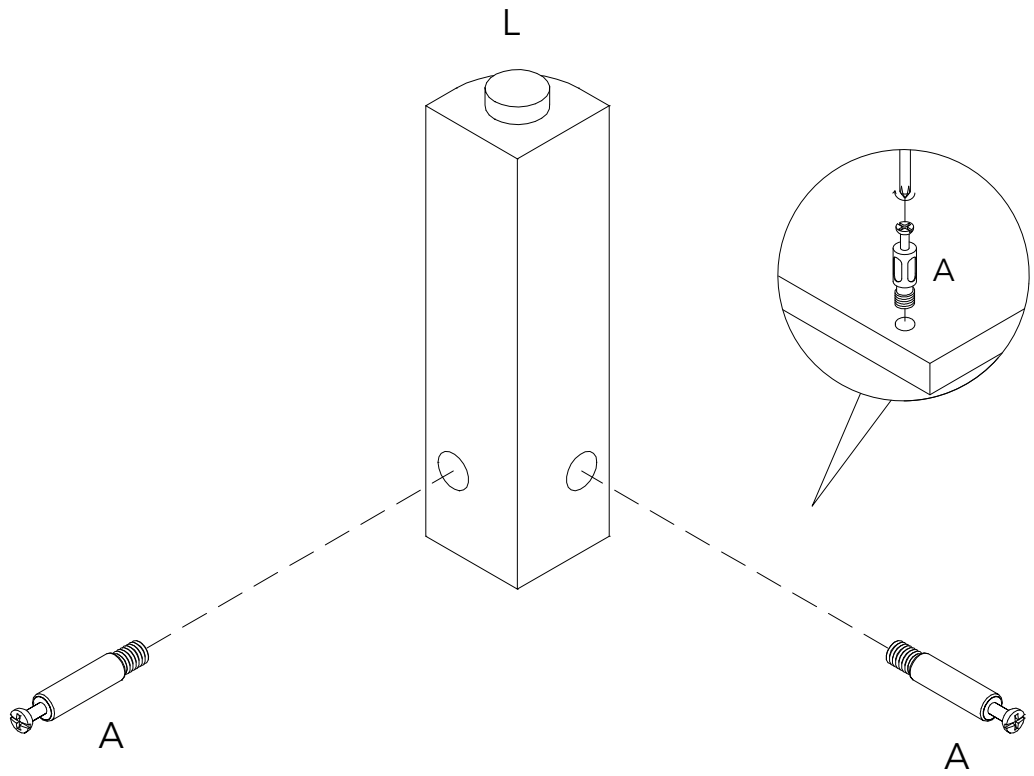
# Component parts supplied

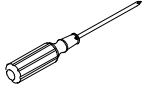

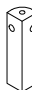
Ref	Dimensions(mm)	Visual	Qty
1	432x362x16		1
2	432x362x16		1
3	377x361x16		2
4	406x387x5		1
5	432x203x38		2
6	300x130x12		4
7	347x130x12		2
8	357x294x5		2
9	368x46x16		2
10	298x46x16		2

# Parts and fittings

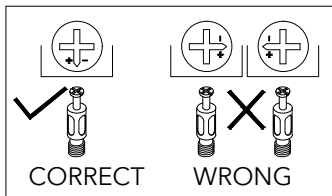
								
A	M6x40mm	20pcs	B	Ø15x11.5	20pcs	C	Ø8x30	8pcs
						 black		
D	Ø12x10mm	8set	E	M4x14	24pcs	F	M4x30	8pcs
								
G	/	4pcs	K	10"	2set	L	H122	4pcs
								
H	Ø8x20	4pcs						

Step 1: x4

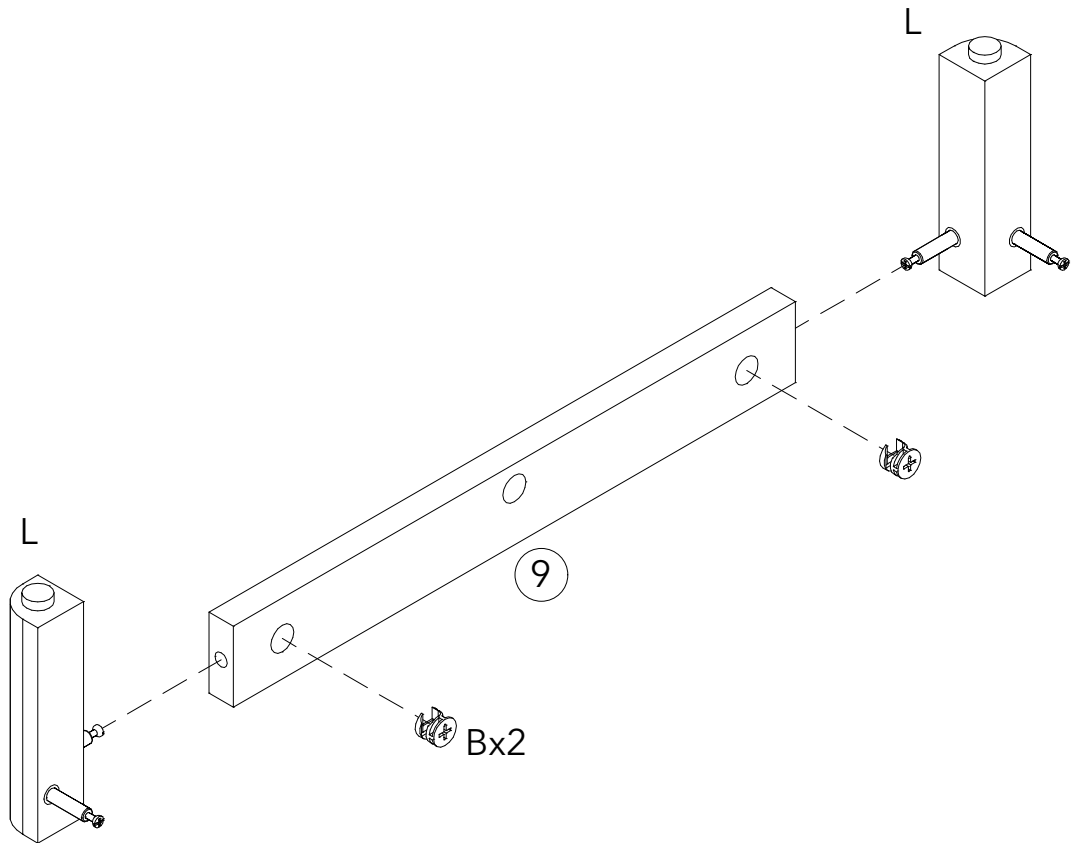


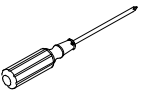

		
	A   M6x40mm   8pcs	L   H122   4pcs

Step 2: x2

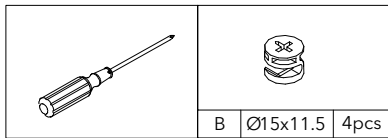
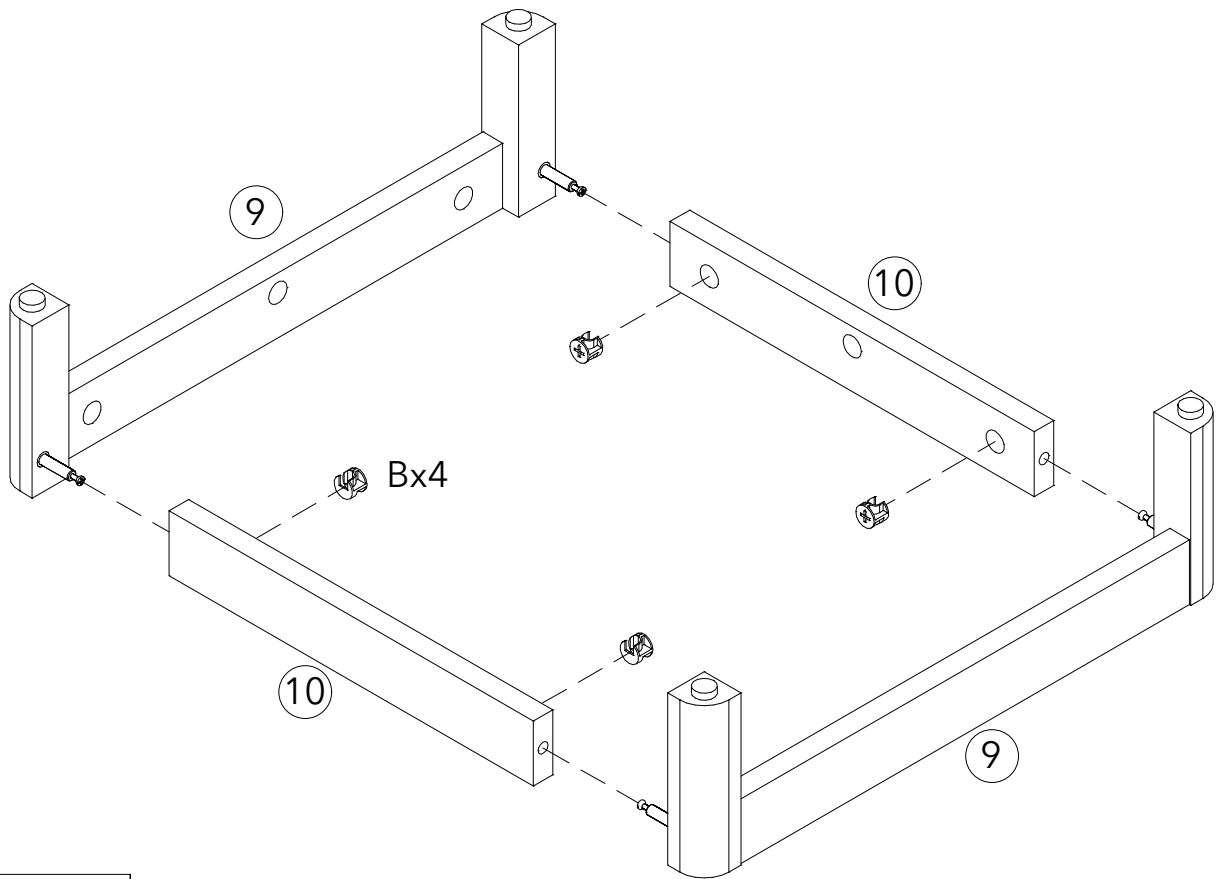


Please note that the locking cam faces outwards

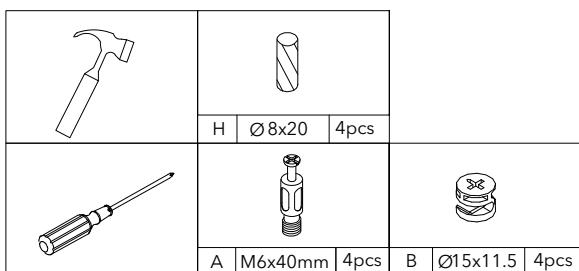
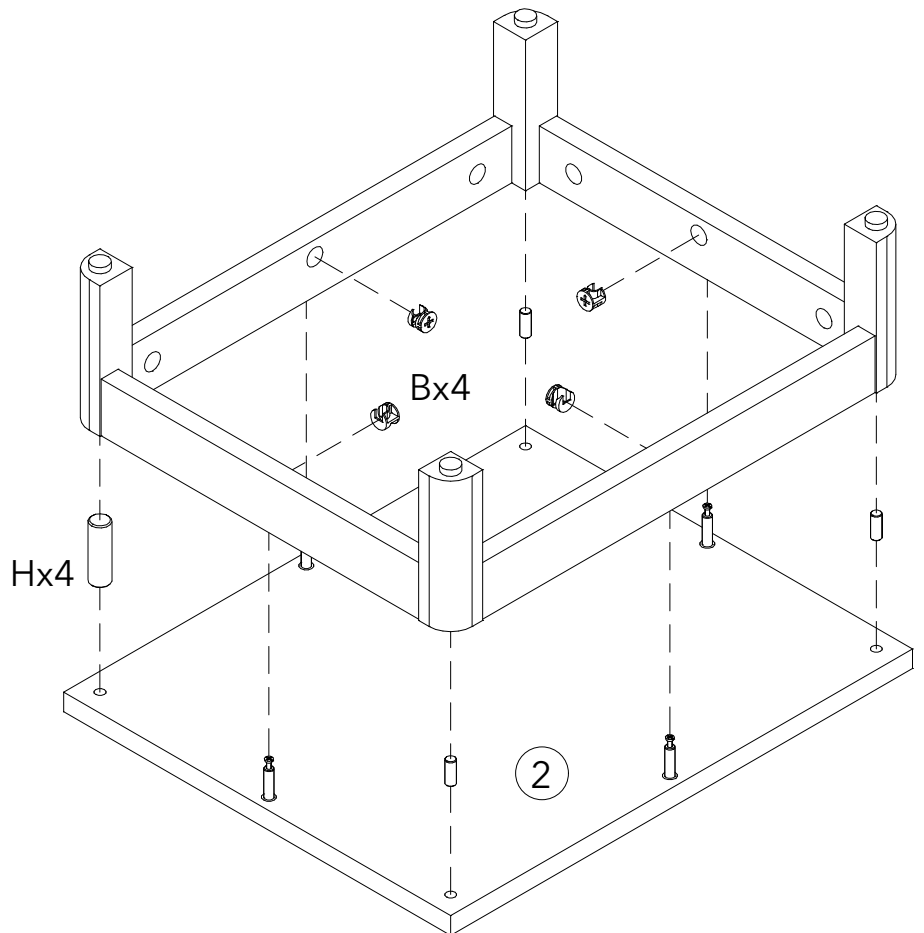
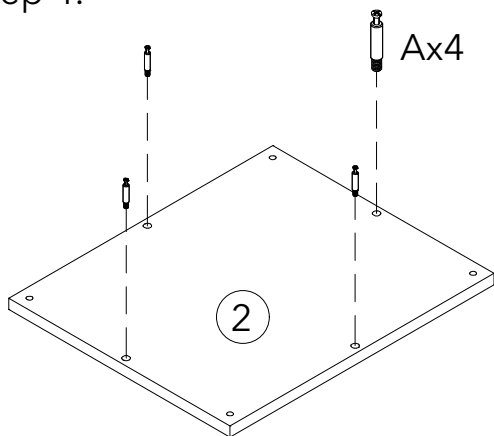


	
	B   Ø15x11.5   4pcs

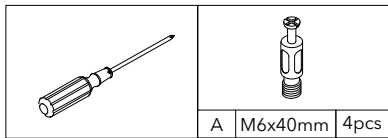
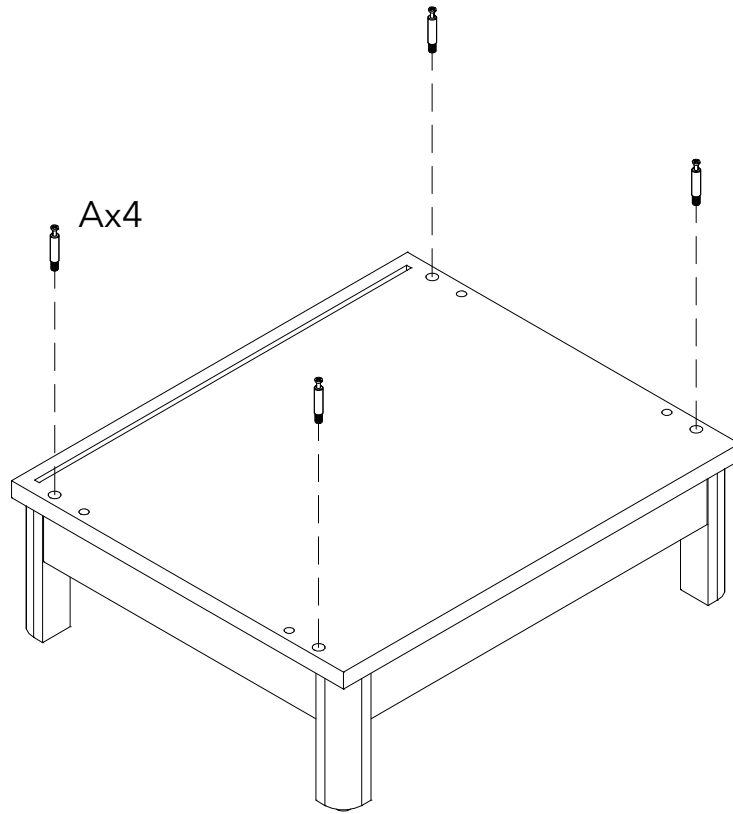
Step 3:



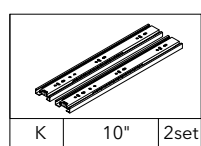
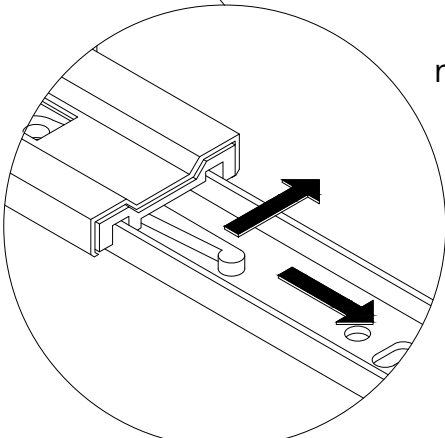
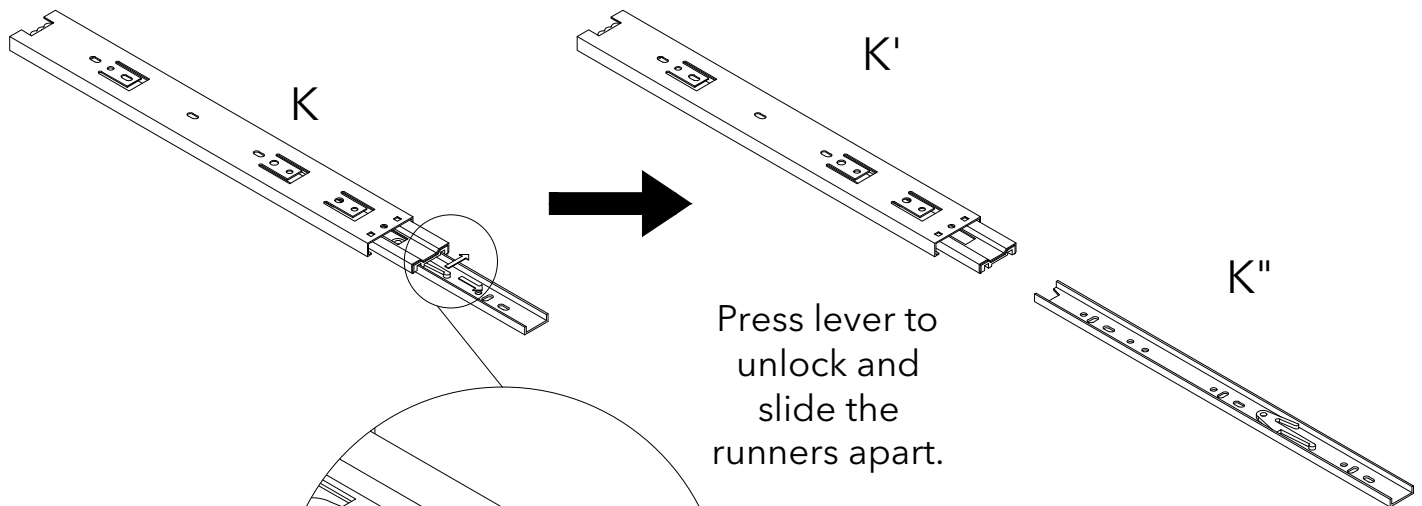
Step 4:



Step 5:

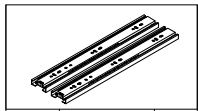
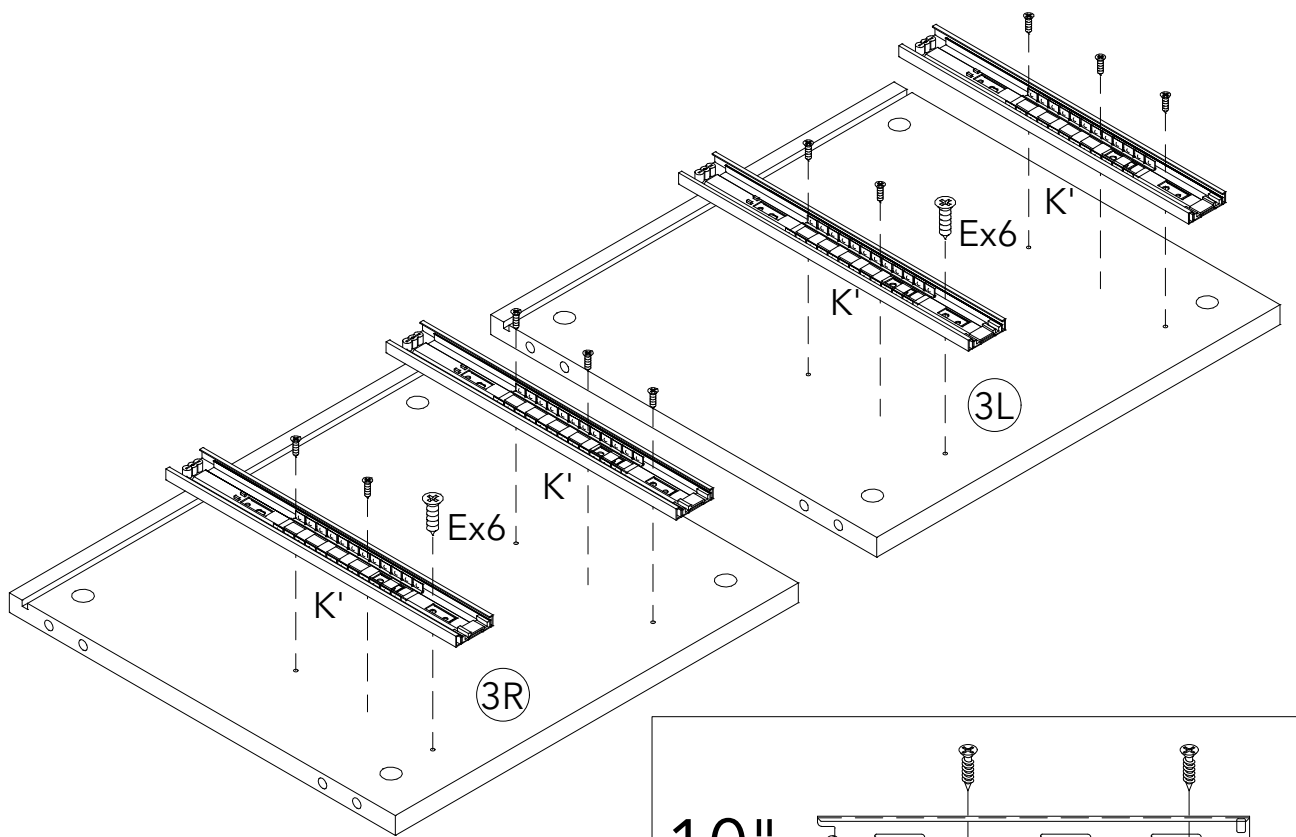


Step 6:

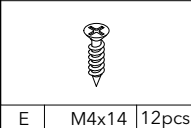
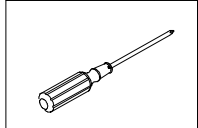




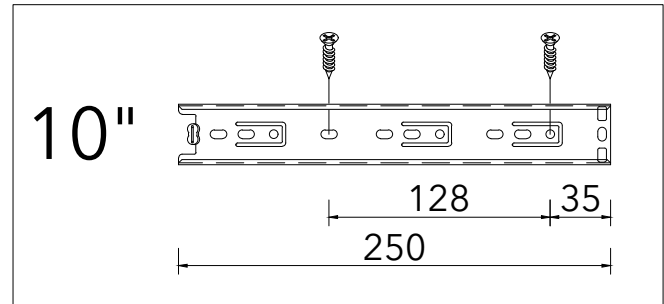
### Step 7:



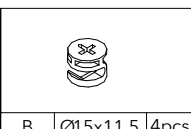
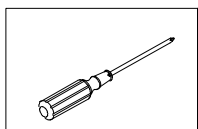
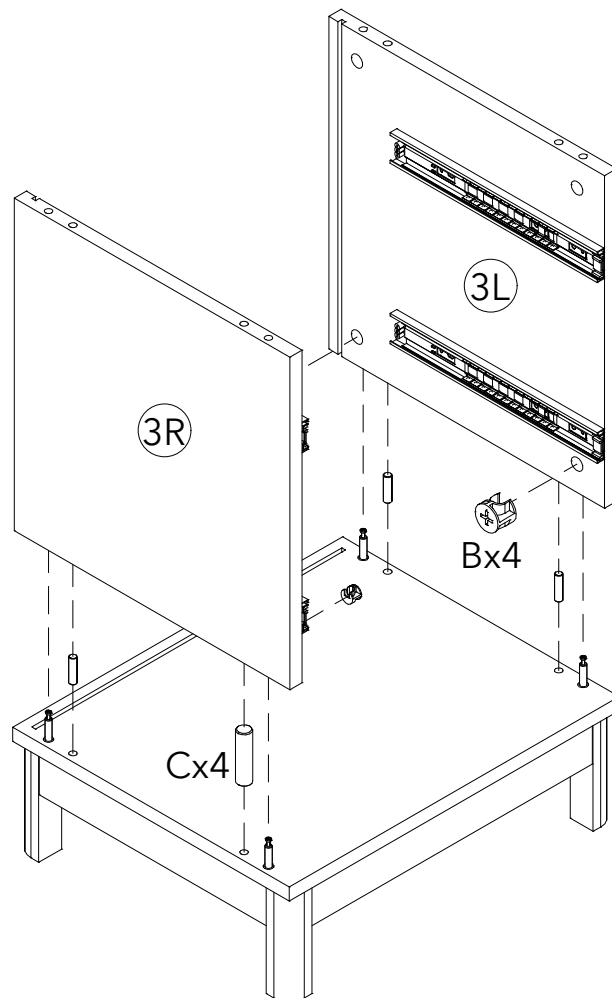
K 10" 2set



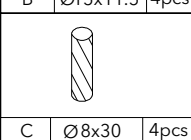
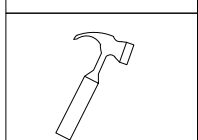
E M4x14 12pcs



### Step 8:

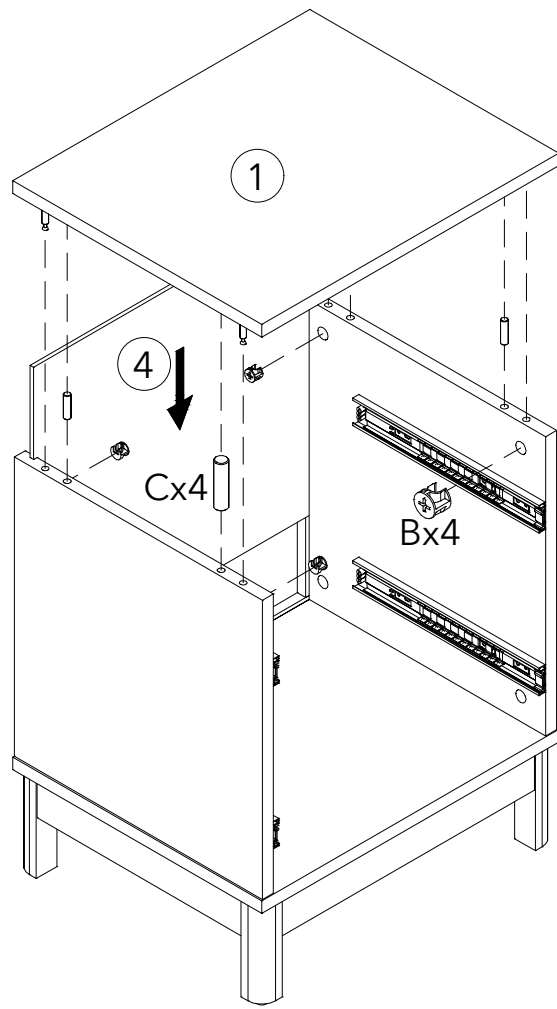
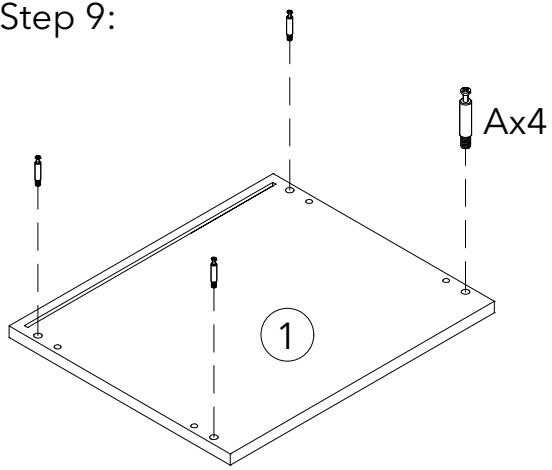



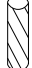
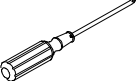


B Ø15x11.5 4pcs



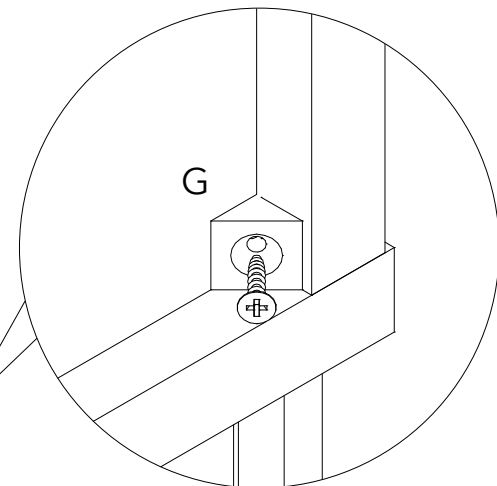
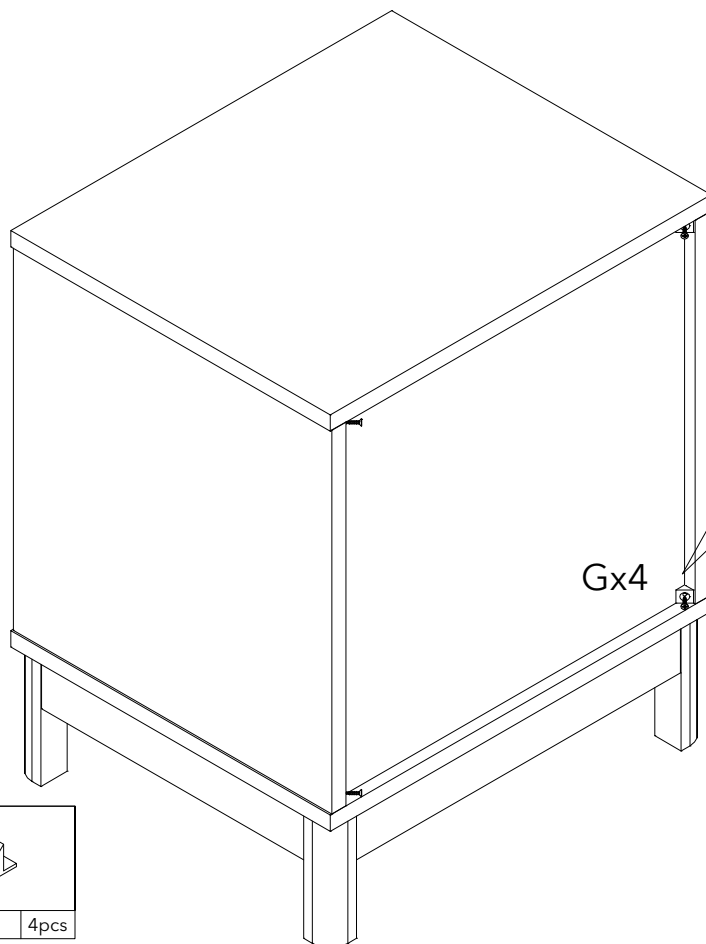
C Ø8x30 4pcs

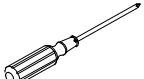

Step 9:



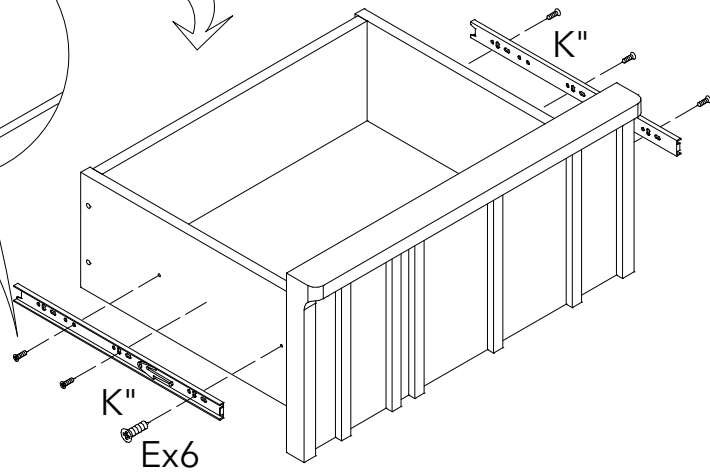
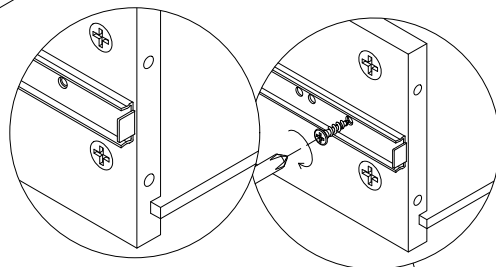
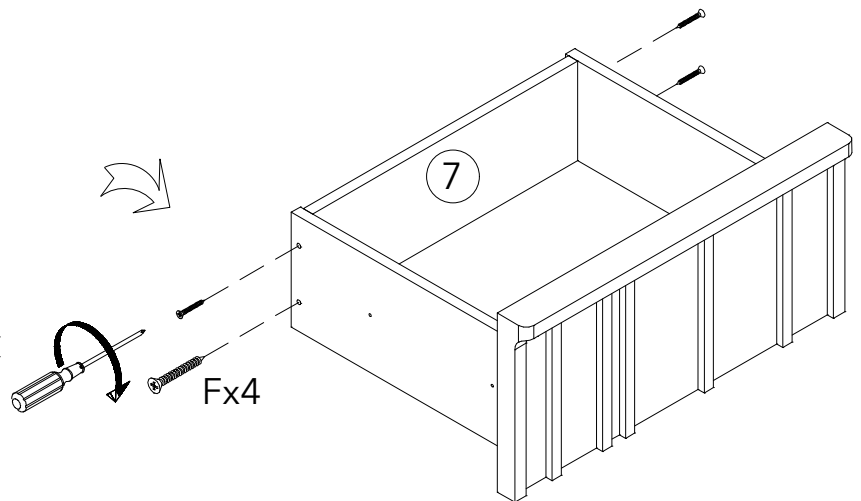
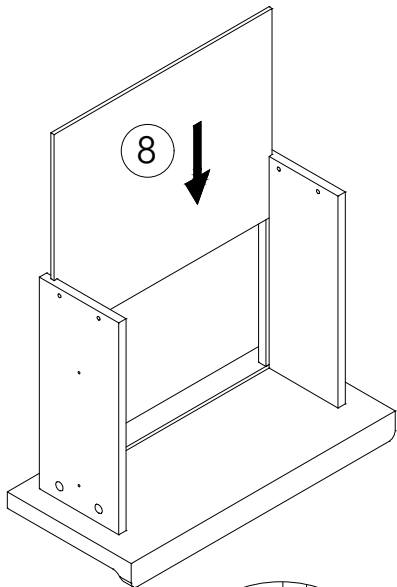
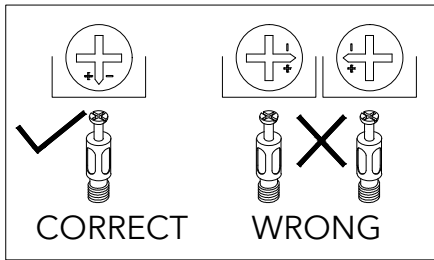
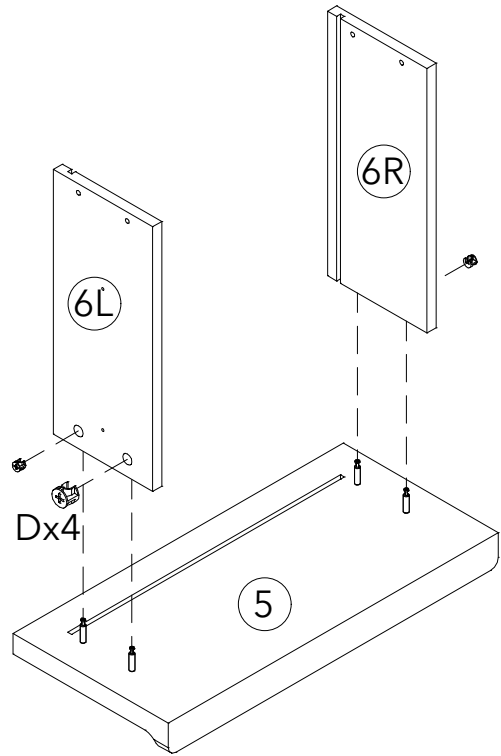
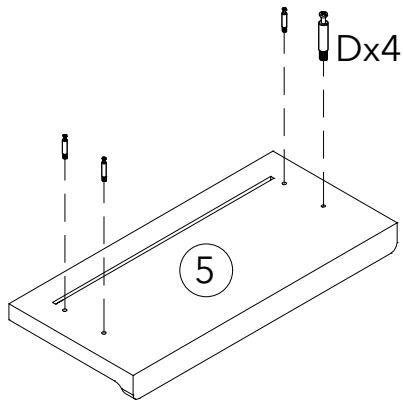
			
	C	∅8x30	4pcs
		A	M6x40mm 4pcs
		B	∅15x11.5 4pcs

Step 10:



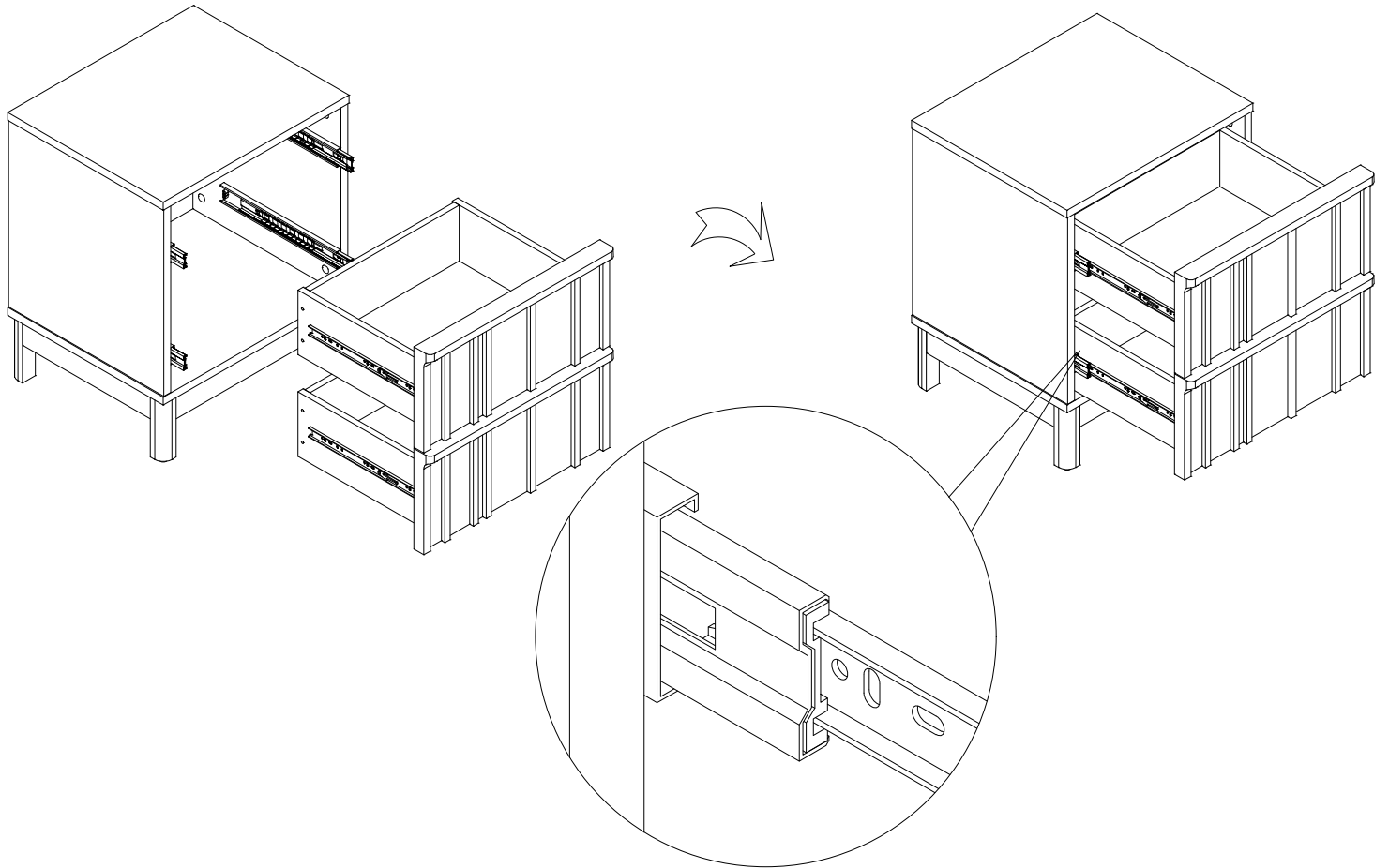
			
	G	/	4pcs

Step 11: x2



K	10"	2set	F	M4x30	8pcs
D			∅12x10mm	8set	E
			M4x14		
			12pcs		

Step 12:



---

# Furniture care advice

---

## Furniture care advice

Only clean using a damp cloth and mild detergent, do not use bleach or abrasive cleaners.

From time to time check that there are no loose screws on this unit.

Strong direct sunlight can affect the colour dramatically, so try to avoid this as much as possible, we also recommend that any ornaments, coasters and items placed on the product are periodically moved around to allow the colour to mellow evenly.

Always use mats and coasters to protect the surface when placing items on the furniture. This will help to protect the finish from heat, liquids or items that might scratch your furniture.

If items are to be placed on the surface of your furniture and have rubber feet, it is advisable to use mats to prevent marking.

Always lift your furniture into place, avoid dragging it across the floor as this can cause damage to joints.

Protectors are securely fitted and in place.

When placing furniture on a wooden or laminate floor, please ensure that the plastic or felt Remove any spills immediately to avoid staining.

Dust regularly with a soft lint free cloth or duster.

Uneven floors could give the impression that doors of wall units and wardrobes are out of alignment. Be aware of this and compensate if necessary by adjusting the hinges or packing a corner to level the item. Please refer to the instructions, included with your furniture, and adjust accordingly.

If your furniture becomes stained, scratched, chipped or suffers other damage, we recommend professional help is sought to restore it. Please contact our customer services line for recommended agents.

Always follow fitting instructions carefully and retain them for future use.