






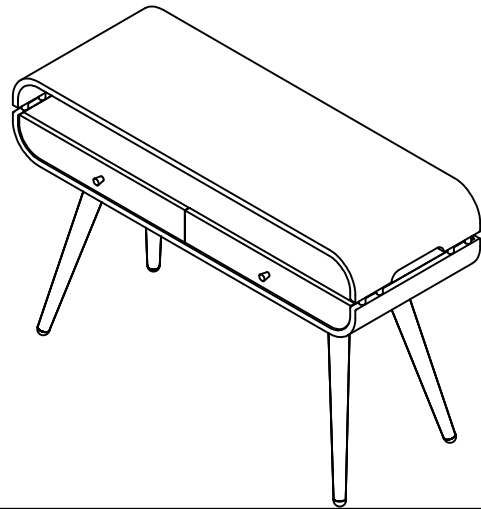


ASSEMBLY INSTRUCTION

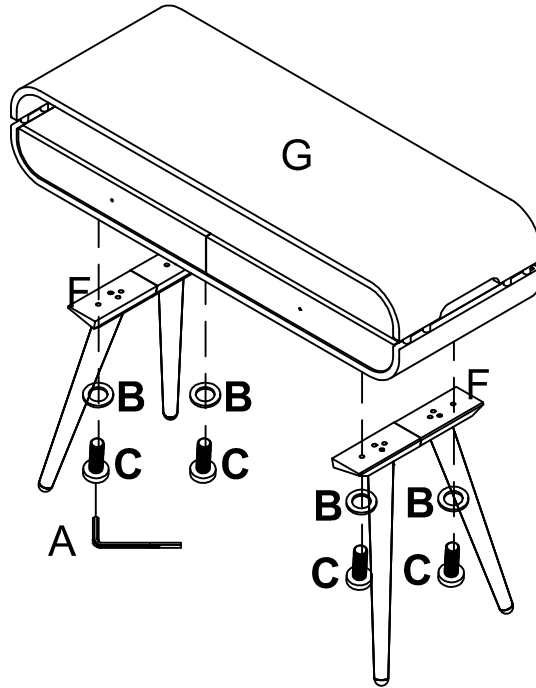
JF705 - Console Table

HELP LINE NUMBER : 01443 816982

A		Allen Key - M5	1PC
B		Washer - 5/16" data-bbox="170 175 400 195"/>	4PC
C		Bolt - Ø5/16" data-bbox="195 205 380 220"/>	4PC
D		Bolt - Ø5/32" data-bbox="205 225 385 245"/>	2PC
E		Handle - Ø19" data-bbox="190 255 380 275"/>	2PC
F		Left & Right Legs	2PC
G		Main Unit	1PC



STEP1



STEP2

