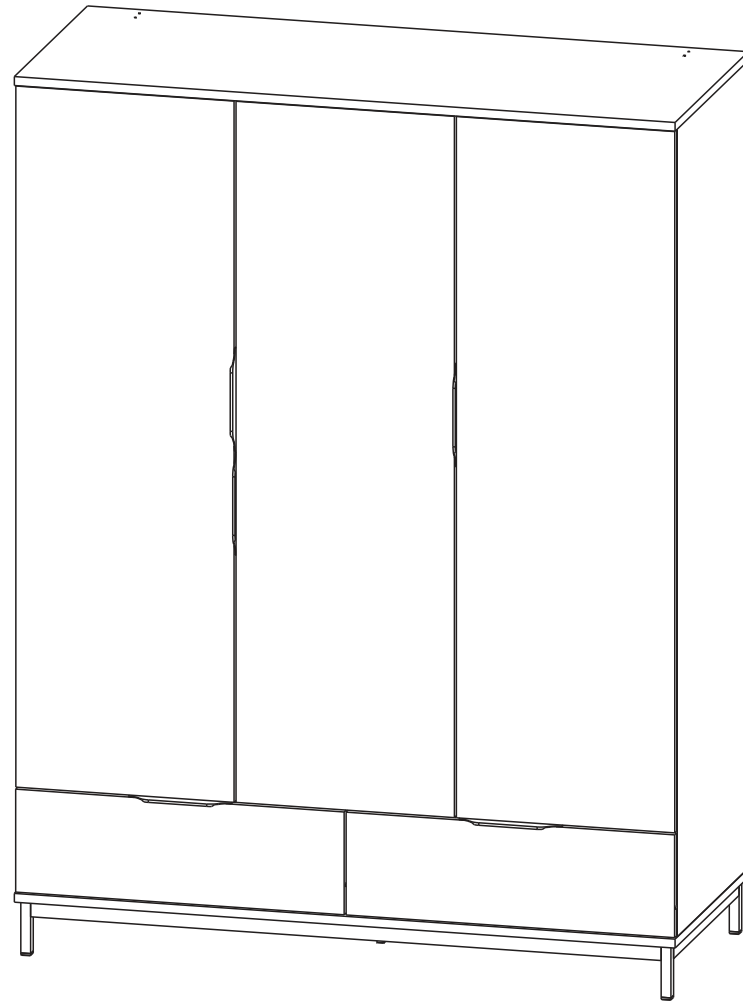


# REYNOLDS Triple Wardrobe

## INSTRUCTION



# Thank You

---

## Dear Customer

Thank you for purchasing your new piece of furniture from Dunelm. We put a lot of effort in the design and construction of our products to ensure they set the standard for quality, durability and ease of assembly.

If for any reason you feel we haven't lived up to the high standards we set ourselves, please don't hesitate in contacting us on **03451 656565** where our team will be very keen to understand what has gone wrong and, more importantly, put it right.

## The next step...

There is no need to feel daunted by the number of parts and fittings in front of you, we have compiled this straight forward, step-by-step guide to make sure that assembling your furniture is as easy as 1, 2, 3.

Before you begin, we advise that you check that you have everything you need to get started.

## Top tip

Find a space to spread everything out across the floor before you begin assembling the item. Lay each panel down on a clean and level area, ideally in the room of intended use, ensuring there is enough room to manoeuvre around the item. It

is recommended that two people assemble this product together. The full list of furniture parts, fixtures and fittings, as well as the tools you will need for assembly can be found on in this manual.

## Top tip

Identify all the fittings, make sure that you have them all prepared and familiarise yourself with each component to make things easier when you are putting it all together.

## Safety and care advice

**IMPORTANT** - The first step you need to take is to ensure your safety! Please take the time to read and understand these instructions before assembling your furniture.

Please keep these instructions for future reference.

Keep children and animals away from the assembly area. This furniture contains small parts that could cause choking if swallowed.

Keep all plastic wrapping materials away from babies and children to avoid danger of suffocation.

Ensure that all packaging is disposed of carefully and responsibly.

From time to time check that there are no loose fittings on the unit, re-tighten when necessary.

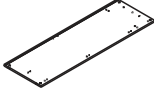
















Two people may be required for the assembly of this product.

Once items are part or fully assembled they are not returnable unless faulty.

This item is not for outdoor use unless stated otherwise.


Some items will be supplied with a wall fixing strap which we recommend is used to secure the item to the wall to prevent a child from accidentally pulling furniture over. Furniture can be dangerous if incorrectly installed. Assembly should be carried out by a competent person. No liability will be accepted for damage or injury caused by incorrectly installed or assembled furniture.


# Component Parts Supplied

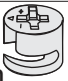
Ref	Dimensions	Visual	Qty	Ctn
1	1650x539 mm		1	2
2	1650x539 mm		1	2
3	1350x558 mm		1	3
4	1350x558 mm		1	3
5	1427x514 mm		1	2
6	208x514 mm		1	1
7	1312x515 mm		1	3
8	422x510 mm		2	1
9	874x100 mm		1	3
10	423x100 mm		1	3
11	1432x446 mm		3	1
12L+12R	671x210 mm		2	3
13L+13R	452x140 mm		4	1
13	593x140 mm		2	3
14	607x450 mm		1	1
15L	1659x886 mm		1	2
15R	1659x443 mm		1	2

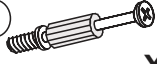
Ref	L(mm)	W(mm)	Qty	Ctn
1	1650	539	1	2/3
2	1650	539	1	2/3
3	1350	558	1	3/3
4	1350	558	1	3/3
5	1427	514	1	2/3
6	208	514	1	1/3
7	1312	515	1	3/3
8	422	510	2	1/3
9	874	100	1	3/3
10	423	100	1	3/3
11	1432	446	3	1/3
12L+12R	671	210	2	3/3
13L+13R	452	140	4	1/3
13	593	140	2	3/3
14	607	450	2	1/3
15L	1659	886	1	2/3
15R	1659	443	1	2/3
16	1288	30	1	3/3
16L+16R	540	110	2	3/3

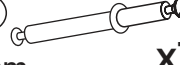
**1**


**B1**   $\phi$  8x28 x38


**B20**   $\phi$  8x50 x1


**M1**   $\phi$  15x12mm x32


**T1**  5x39mm x30

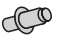
**T18**  L-64mm x1


**J23**  x24

**P2**  3x20 x11

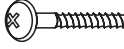
**F1**  x5


**S14**  4x40mm x7


**W1**  x8


**C14**   $\phi$  20mm x32

**2**

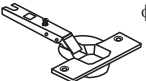
**P5**  4x30 x8


**F438**  L-438 x2

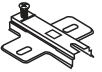
**P10**  3x13 x4


**C17**  1,5mm x8


**3**

**Y0**   $\phi$ 35 KR-0 x6


**Y2**   $\phi$ 35 KR-8 x3


**D6**  H-2 x9

**E3**  6,3x13 x18


**S8**  4x13 x18


**4**


**U199**  L-210 x5

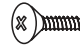
**S3**  3,5x13 x10

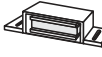
**5**

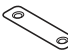
**J11**  x2

**P13**  3,5x13 x4


**F7**  x4


**S2**  3x13 x12

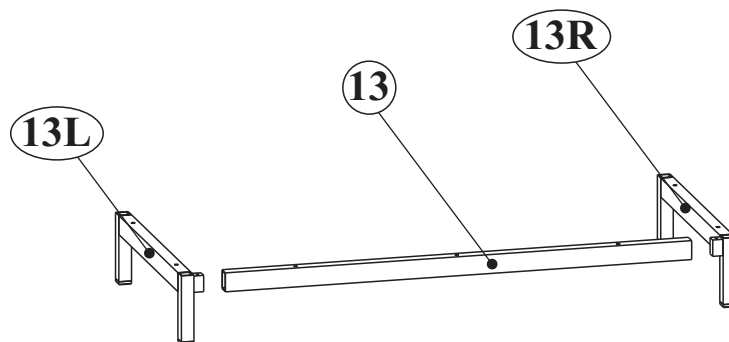
**F3**  x2


**F13**  x2

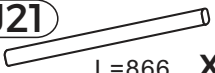
**6**


**17**  x1

**E1**  6,3x13 x4



**Q1**  4x10 x2

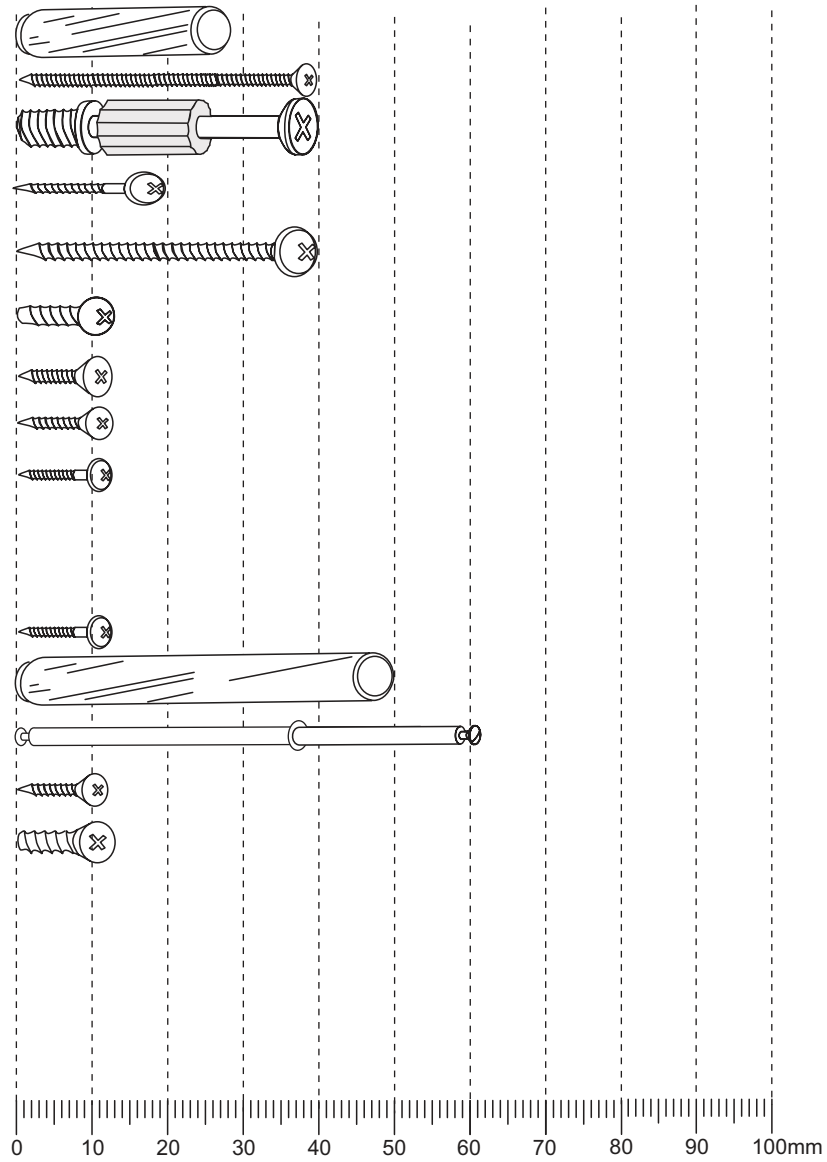
**J21**  L=866 x1

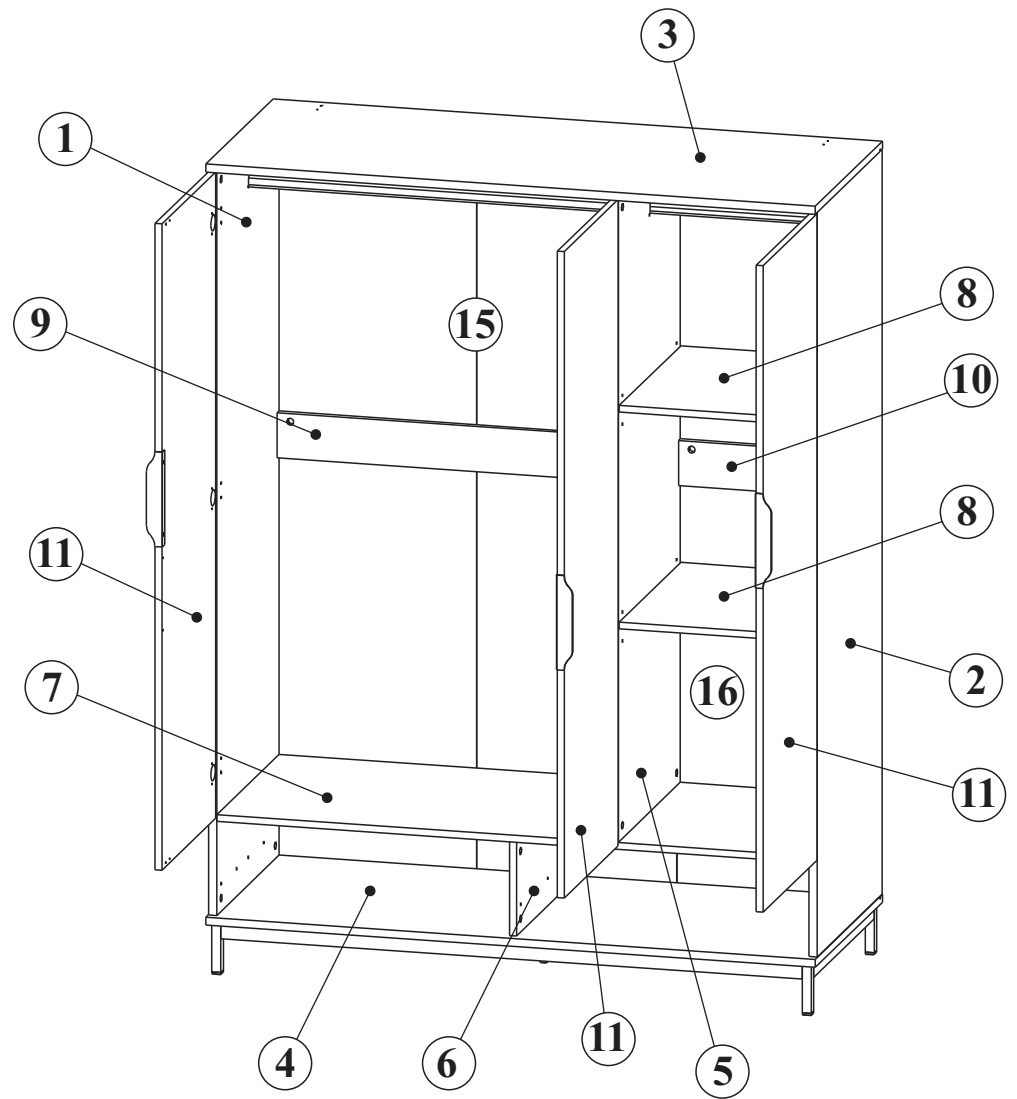
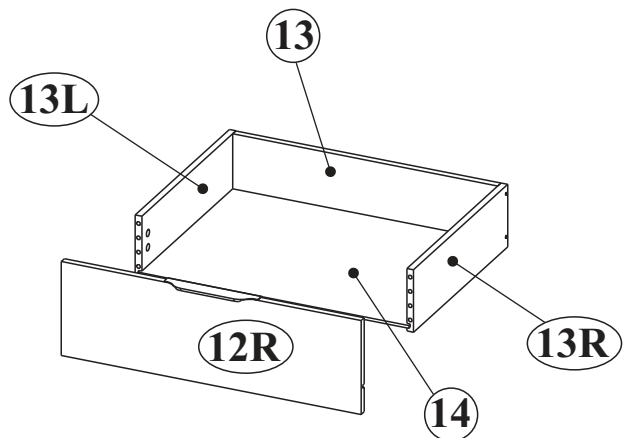
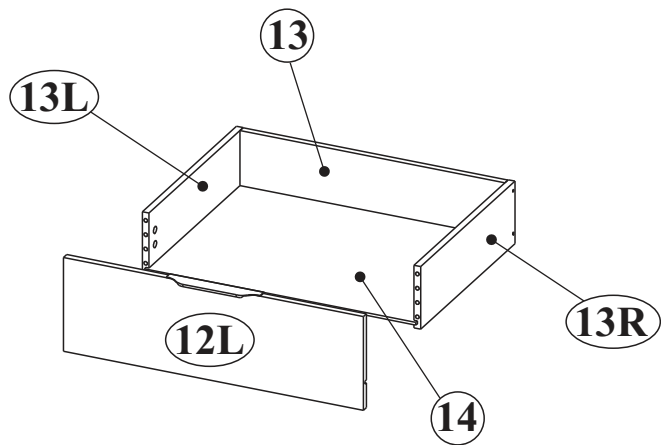
**J211**  L=416 x1



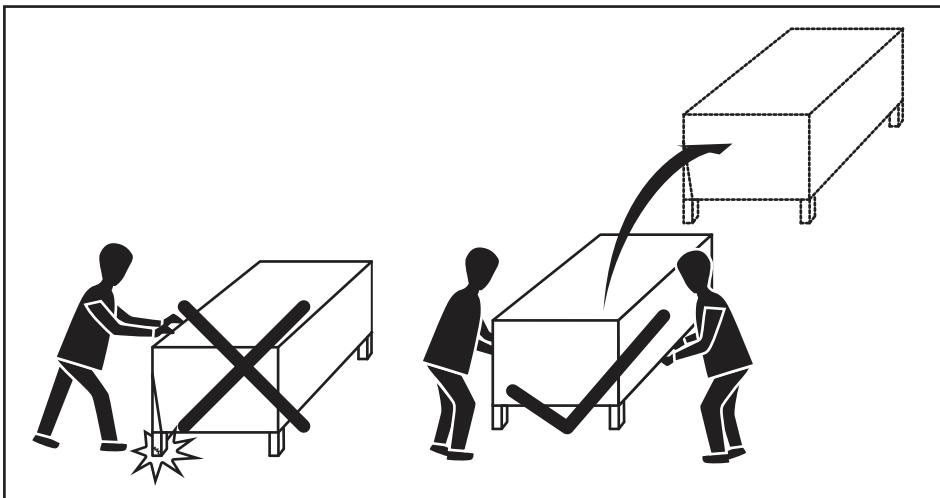
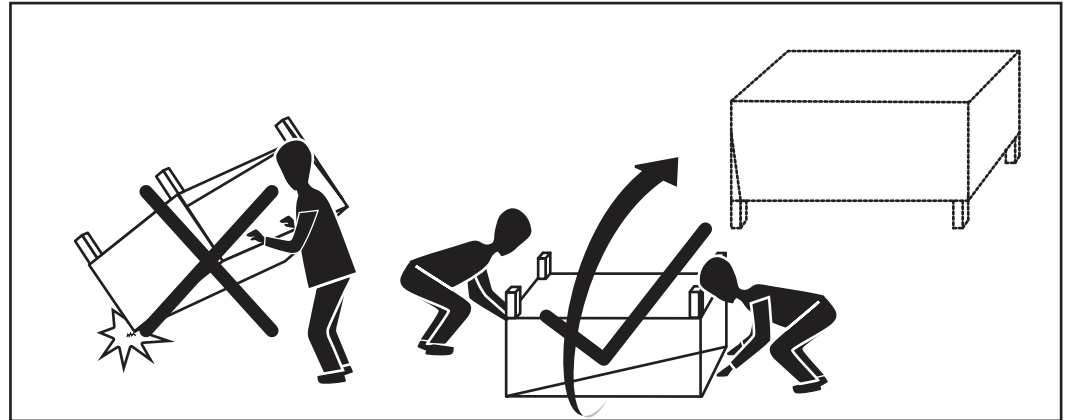
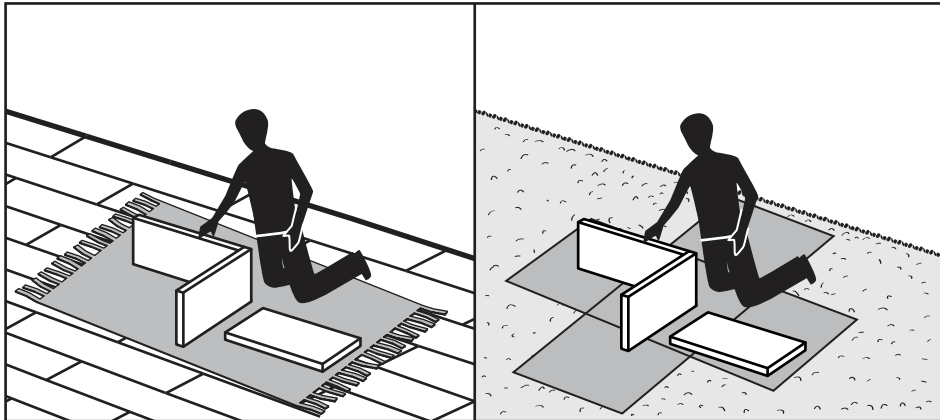
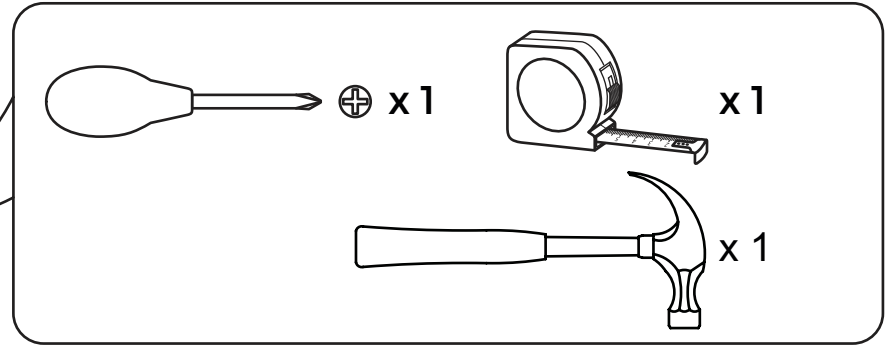
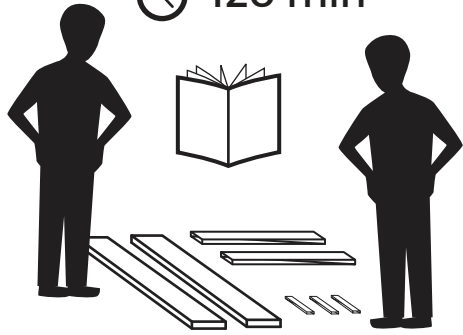
Fixtures and fittings  
supplied (actual size)

Ref	Dimensions	Qty
B1	8x28 mm	38
S14	4x40 mm	7
T1	mimio mm	30
P2	3x20 mm	11
P5	4x40 mm	8
E3	6,3x13 mm	18
S8	4x13 mm	18
S3	3,5x13 mm	10
P13	3,5x13 mm	4
P10	3x13 mm	4
B20	8x50 mm	1
T18	L-64 mm	1
S2	3x13 mm	12
E1	6,3x13 mm	4

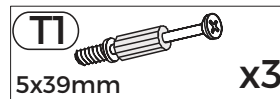
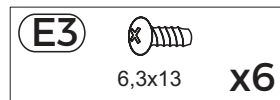
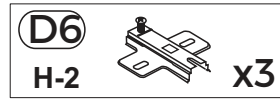
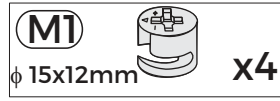
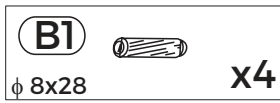




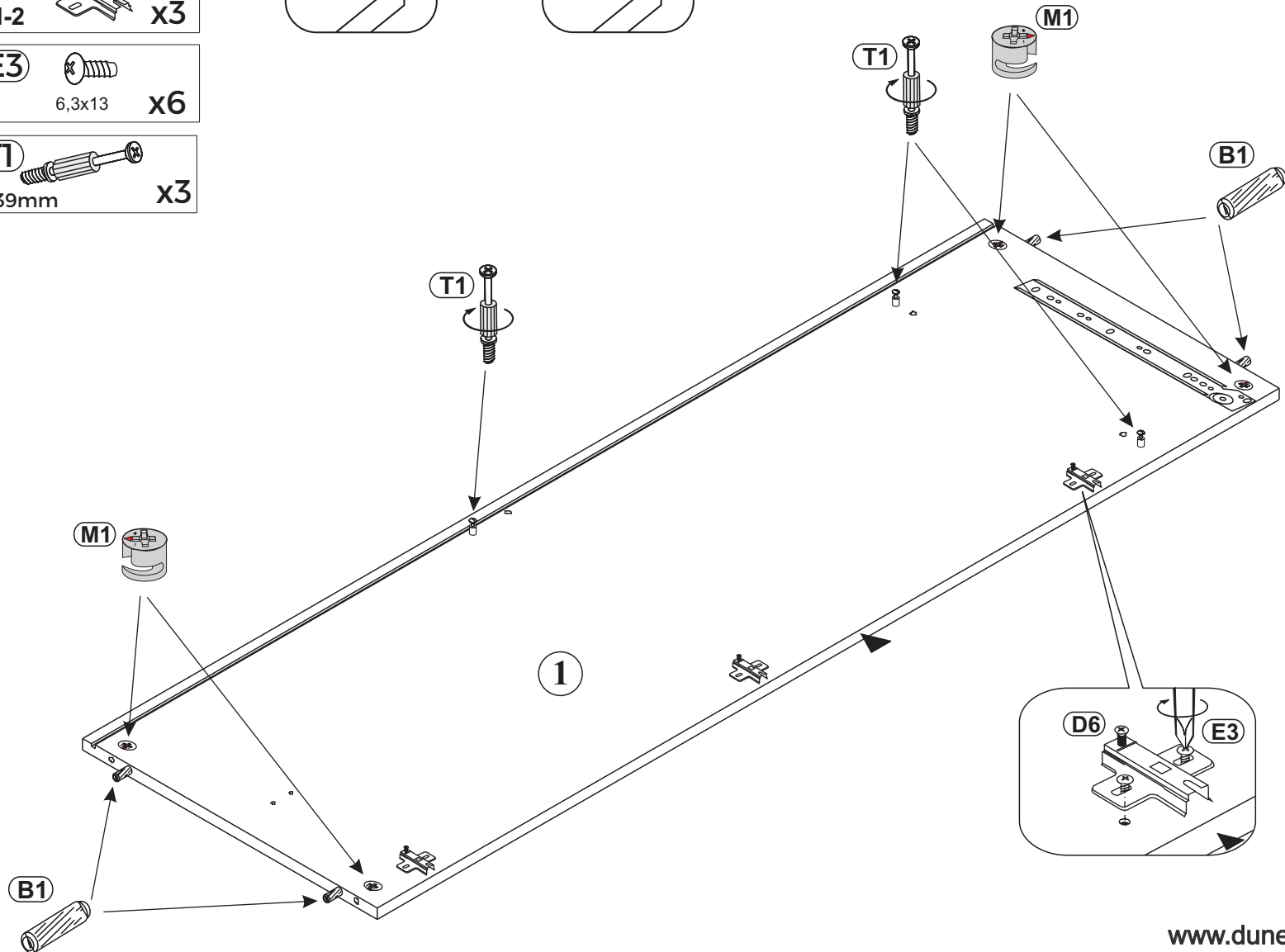
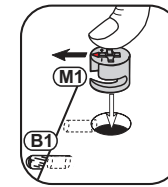
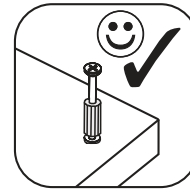
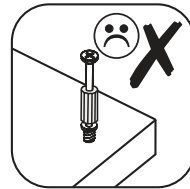
🕒 120 min



# Step 1

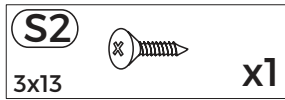
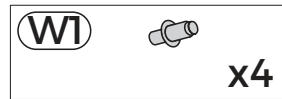
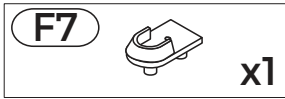
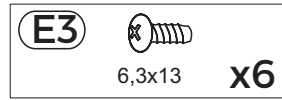
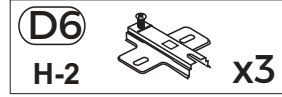
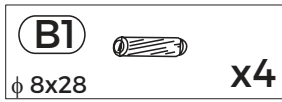


Tighten until shoulder is flush with panel. Do not overtighten or undertighten (see example below)

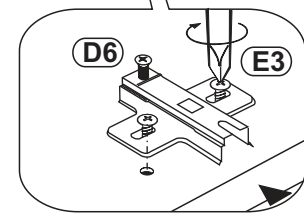
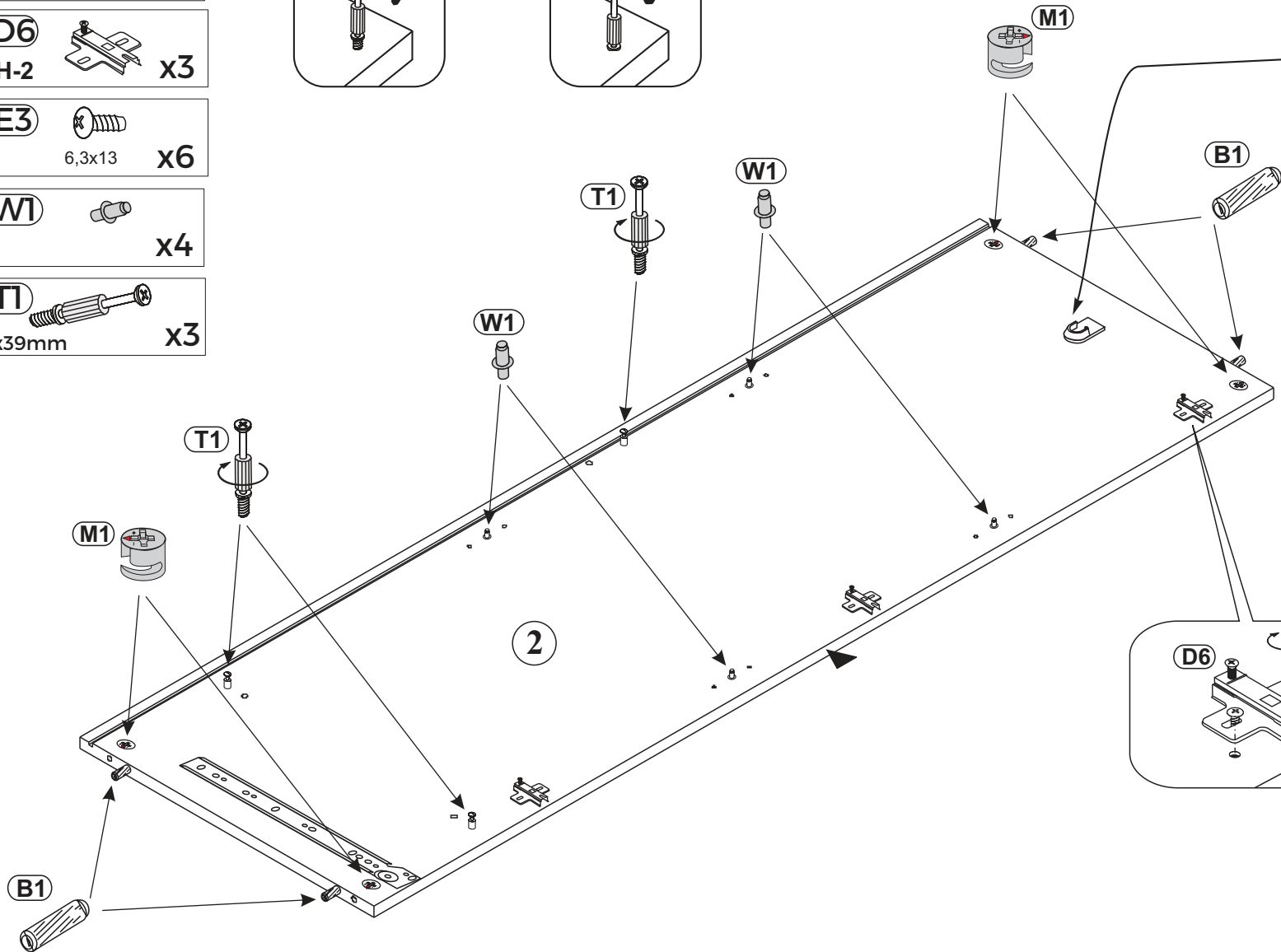
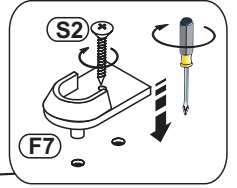
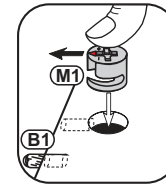
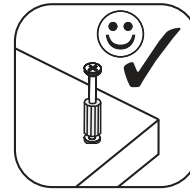
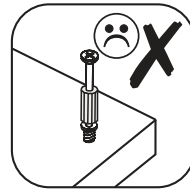




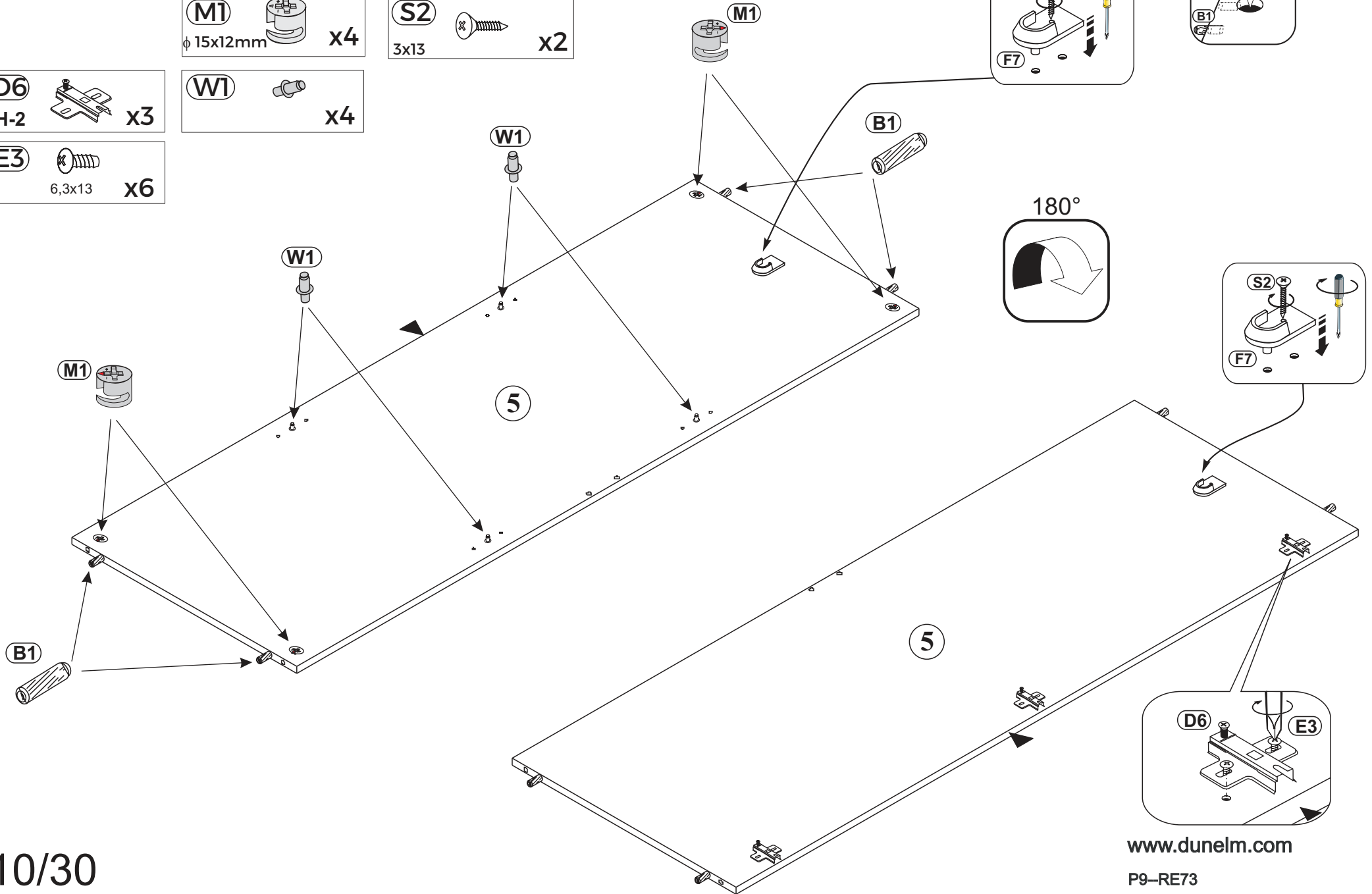
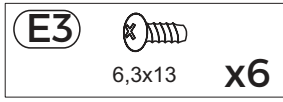
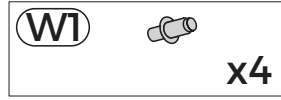
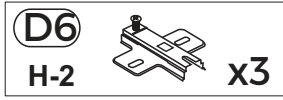
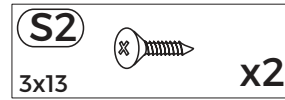
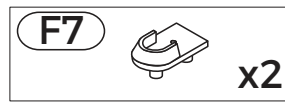
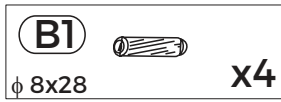
# Step 2



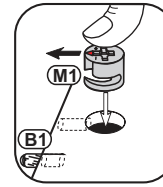
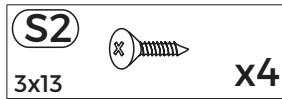
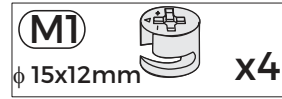
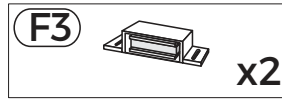
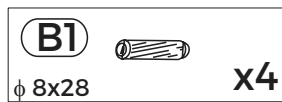
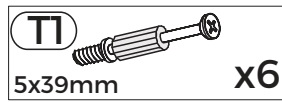
Tighten until shoulder is flush with panel. Do not overtighten or undertighten (see example below)



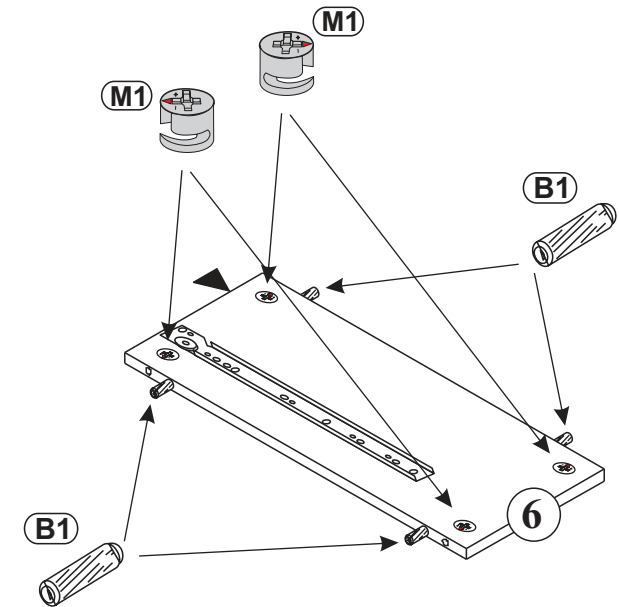
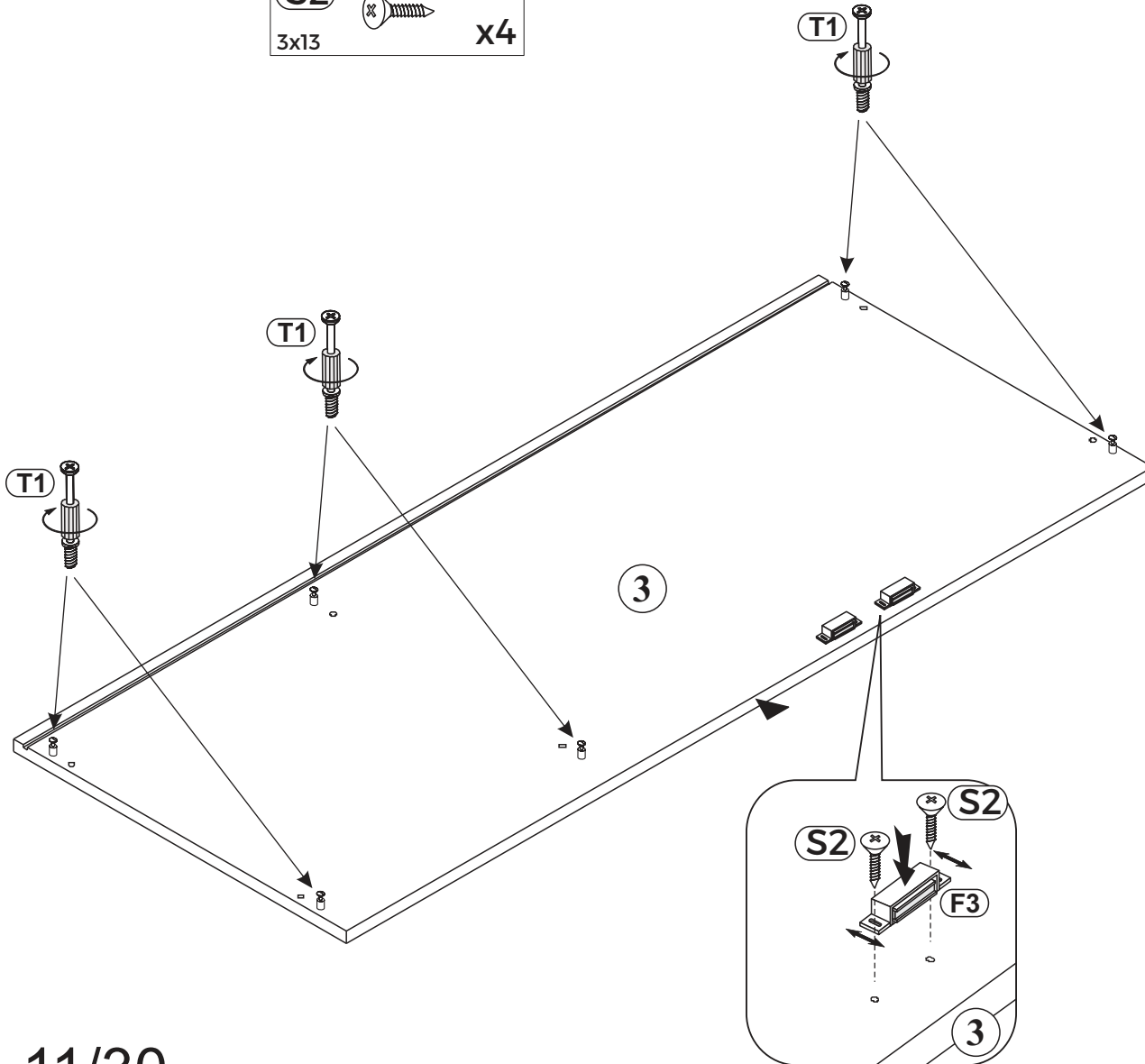
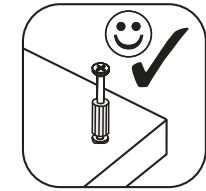
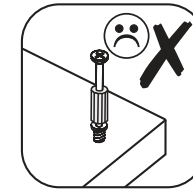
# Step 3



# Step 4



Tighten until shoulder is flush with panel. Do not overtighten or undertighten (see example below)

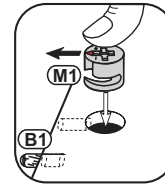


# Step 5

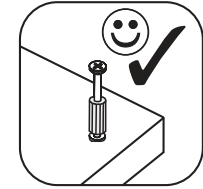
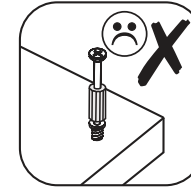
**T1**  
5x39mm X4

**B1**  
φ 8x28 X4

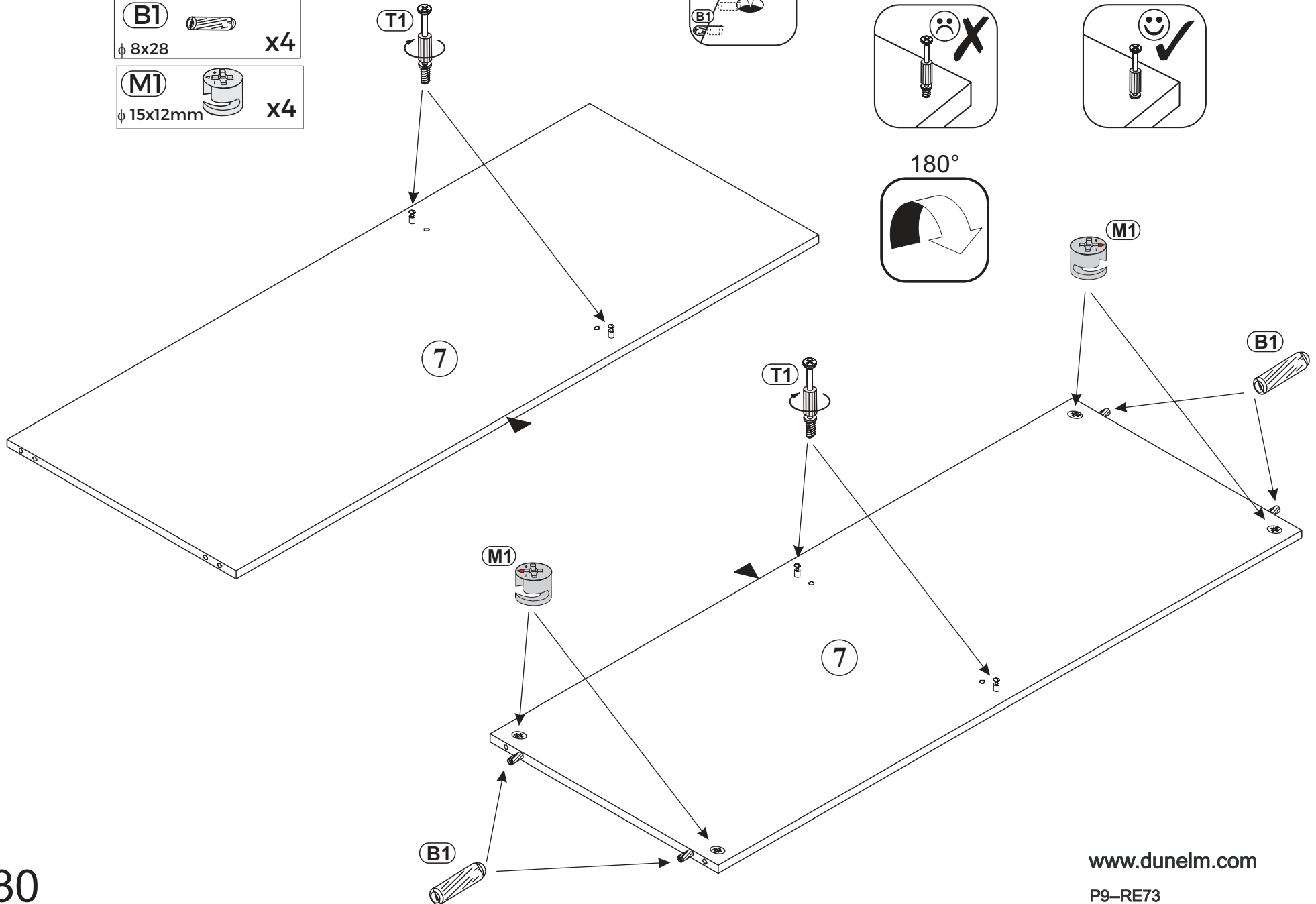
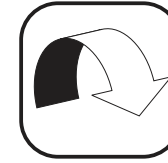
**M1**  
φ 15x12mm X4



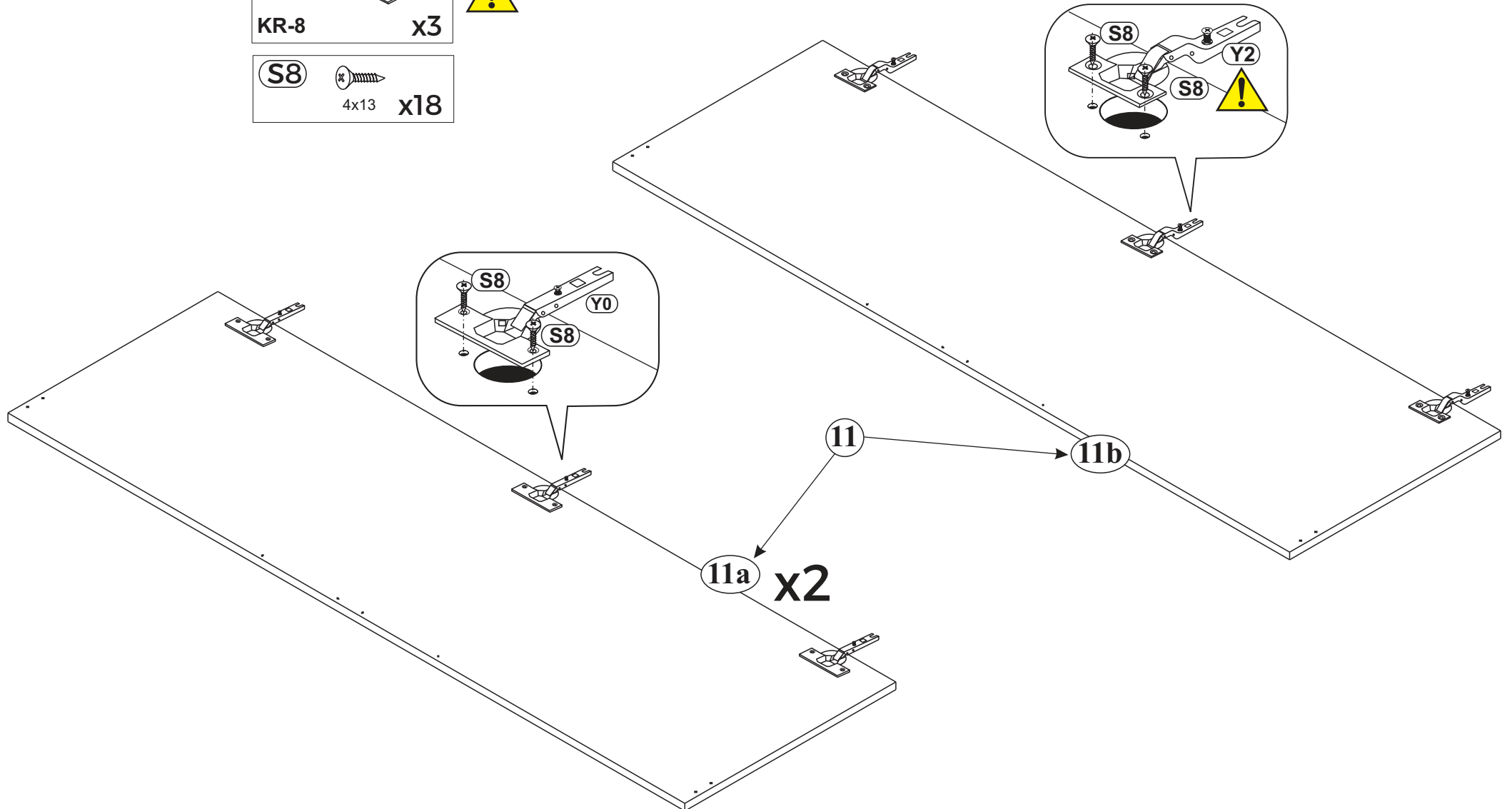
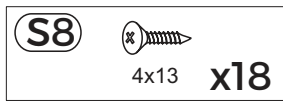
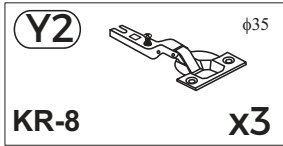
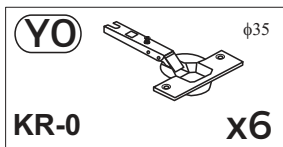
Tighten until shoulder is flush with panel. Do not overtighten or undertighten (see example below)



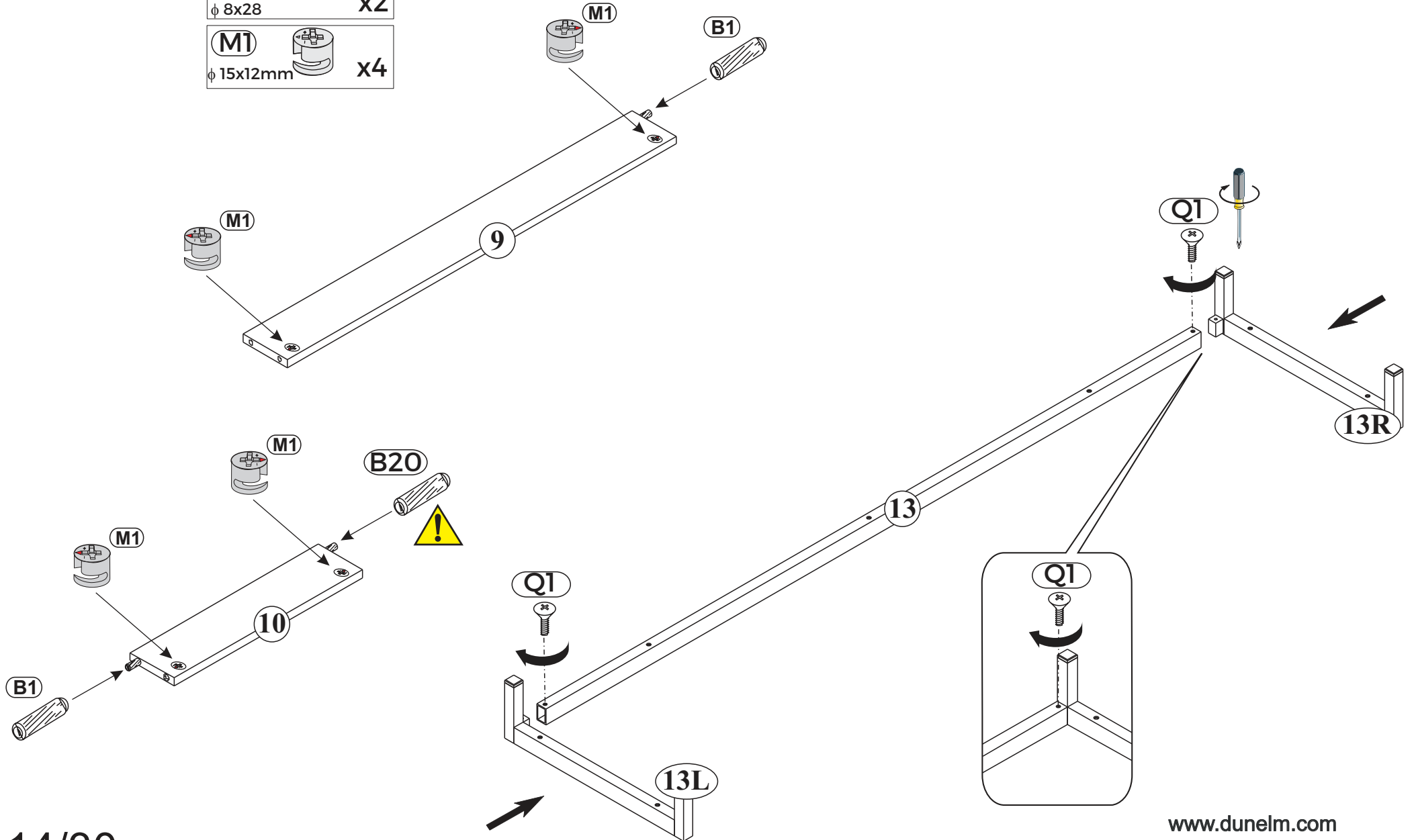
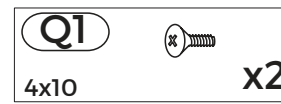
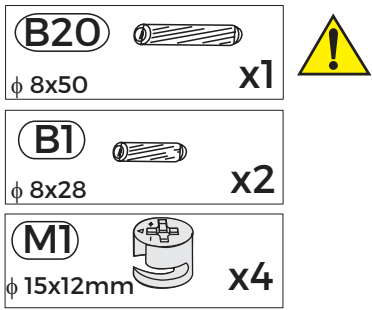
180°



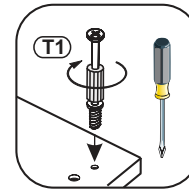
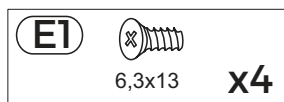
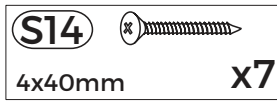
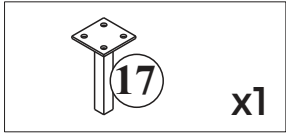
# Step 6



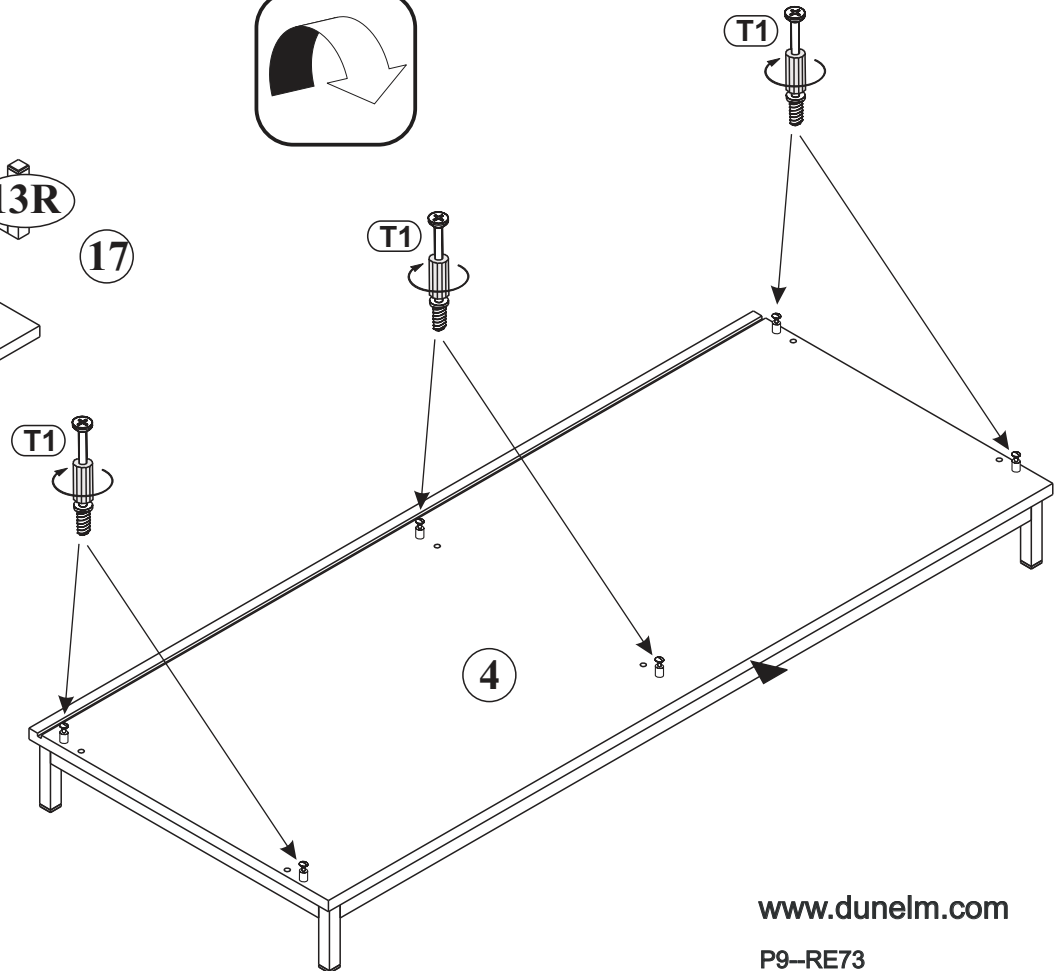
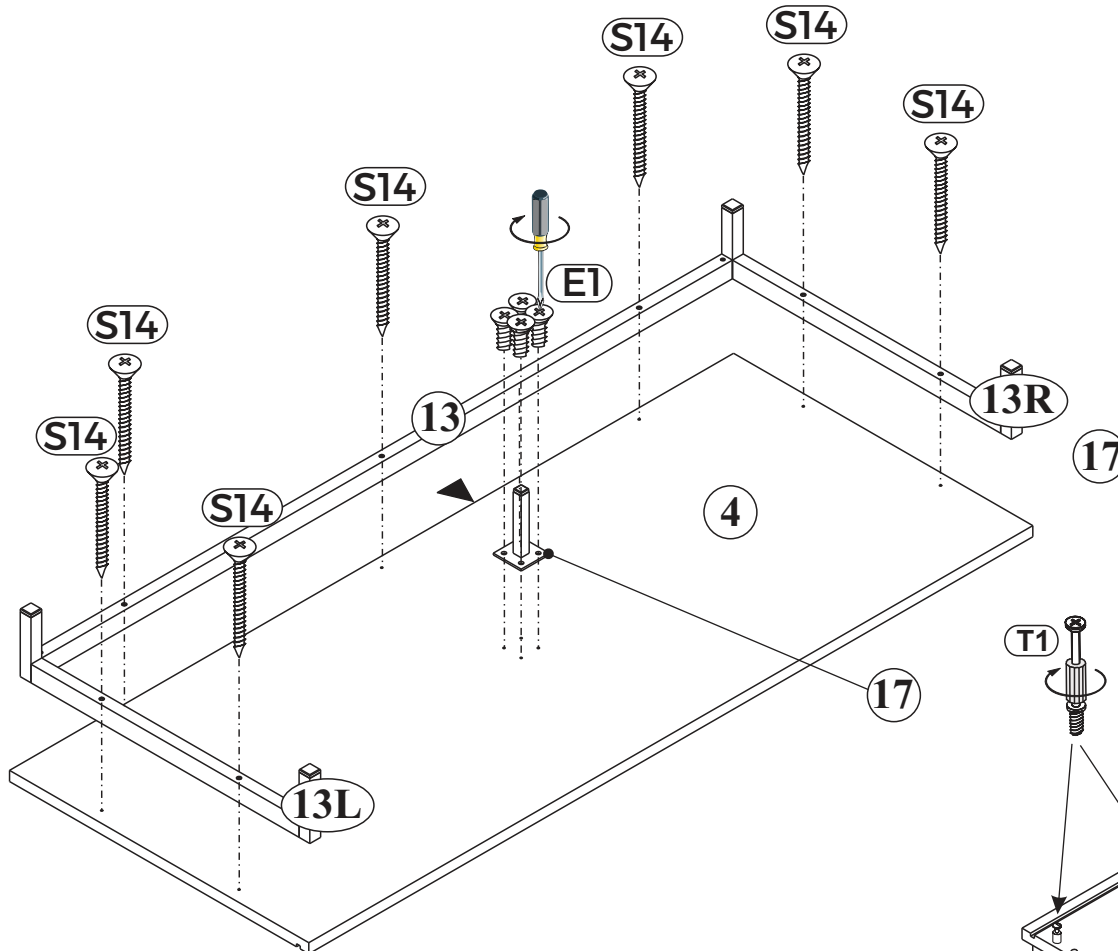
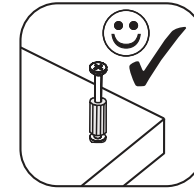
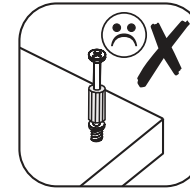
# Step 7



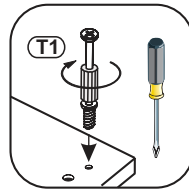
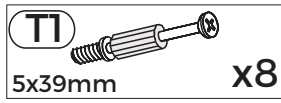
# Step 8



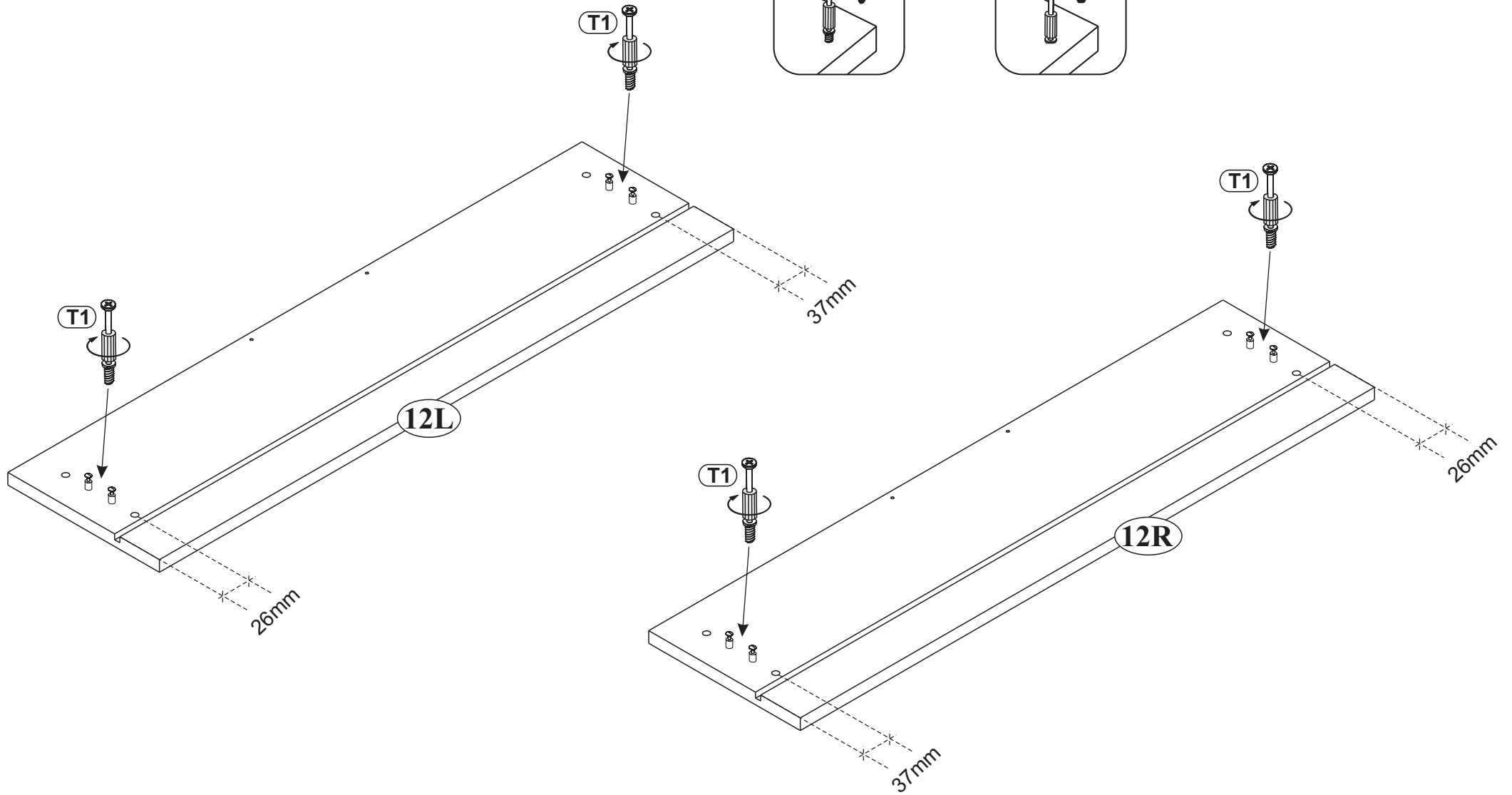
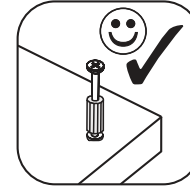
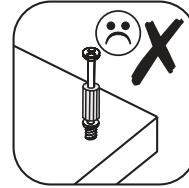
Tighten until shoulder is flush with panel. Do not overtighten or undertighten (see example below)



# Step 9


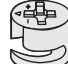


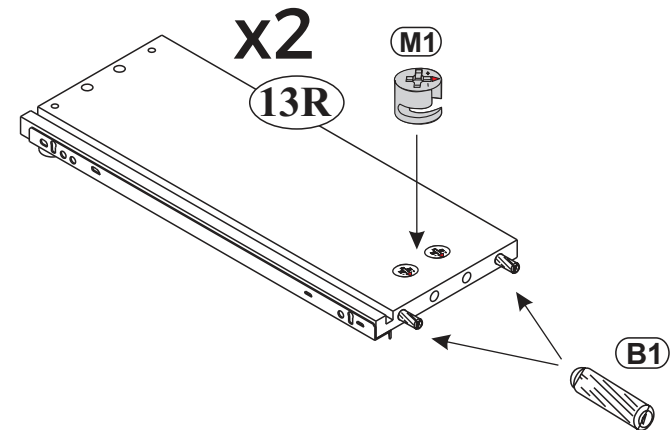
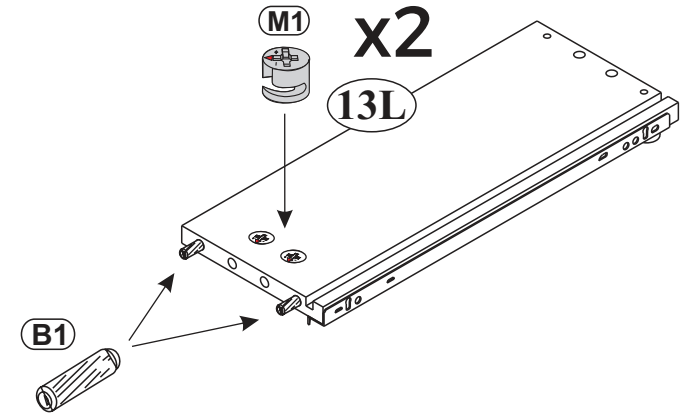
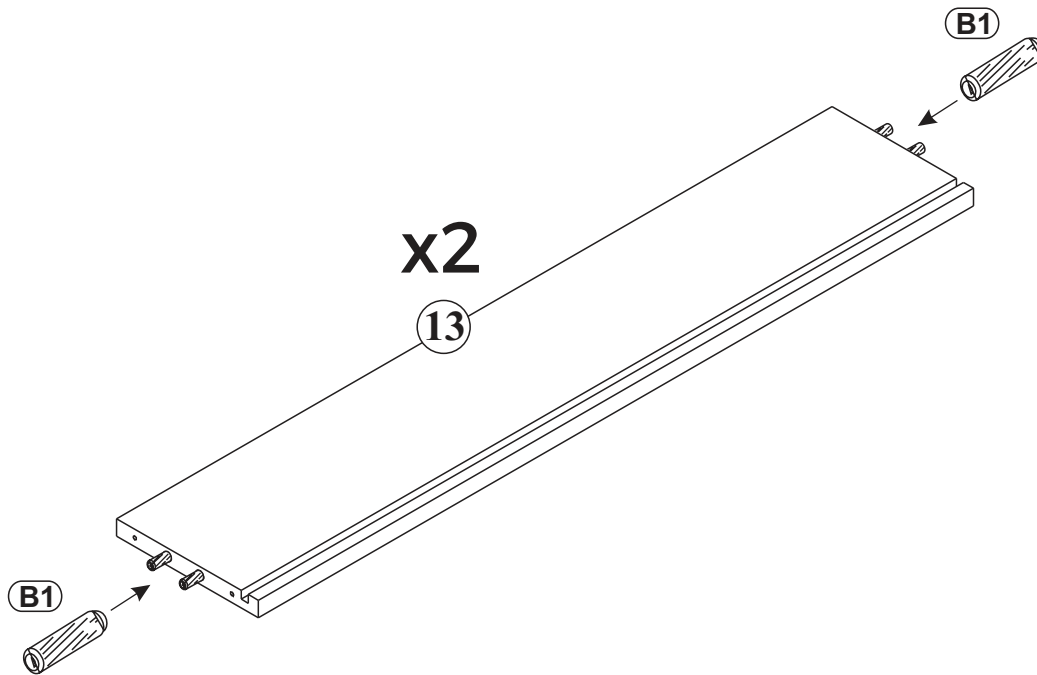
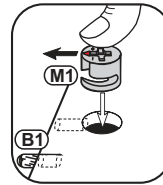
Tighten until shoulder is flush with panel. Do not overtighten or undertighten (see example below)





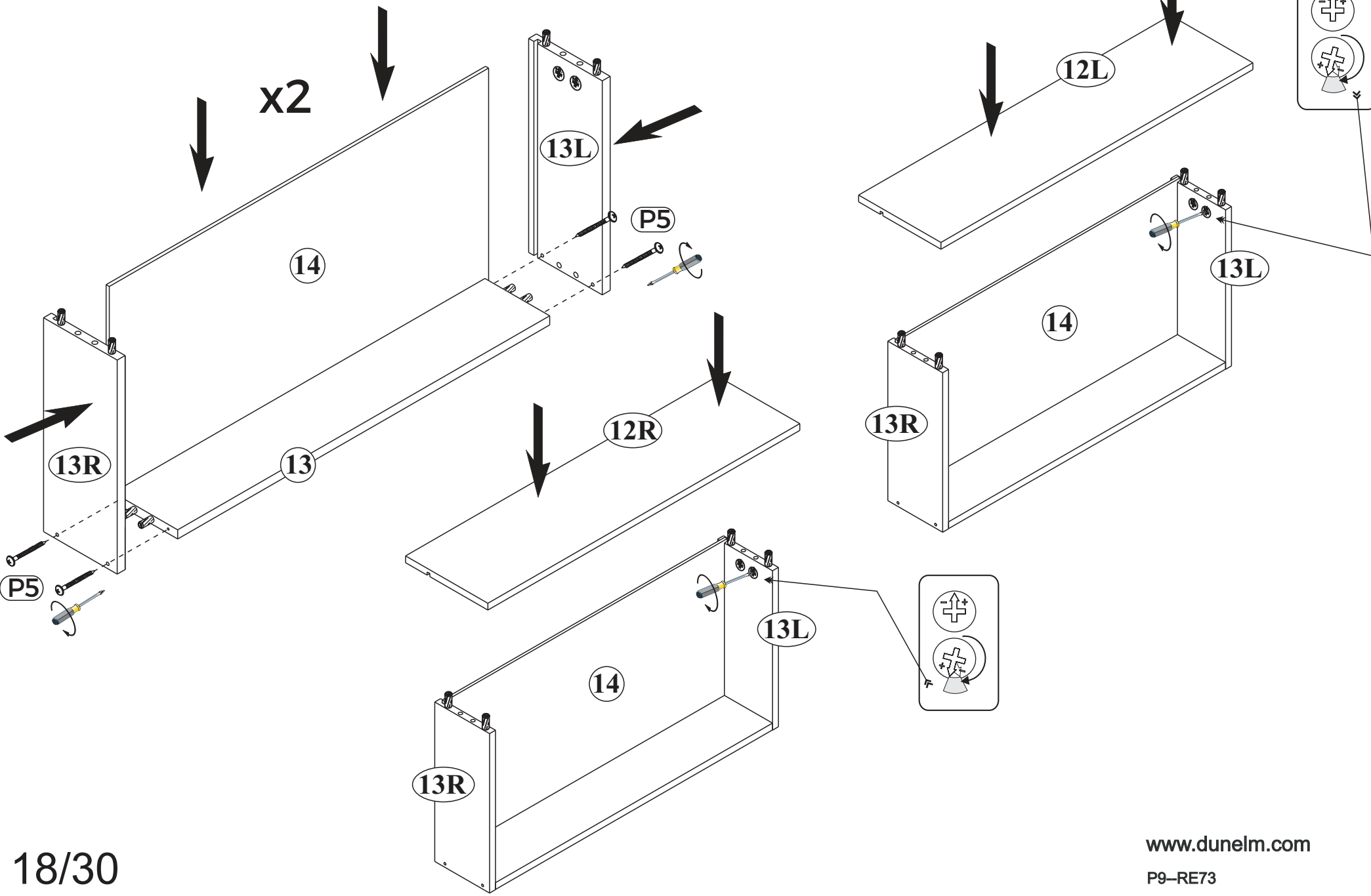
# Step 10

<b>B1</b>		<b>x16</b>
$\phi$ 8x28		
<b>M1</b>		<b>x8</b>
$\phi$ 15x12mm		

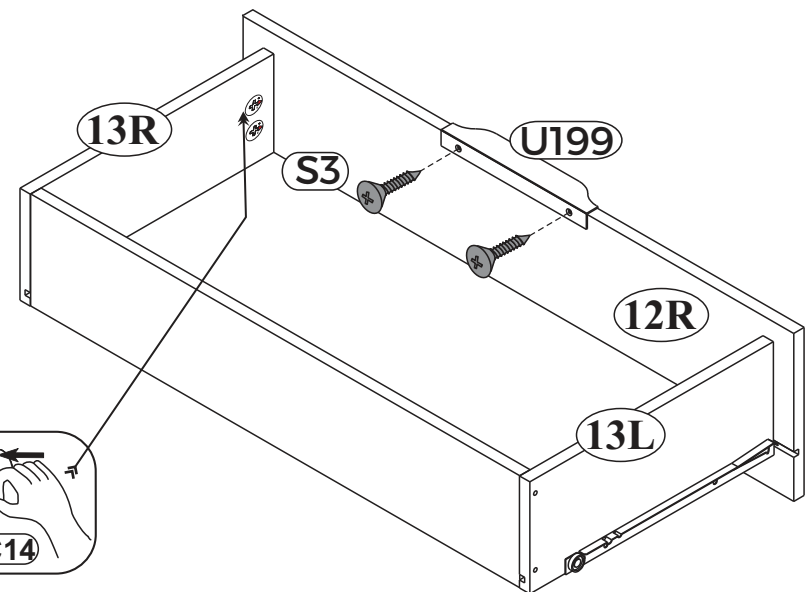
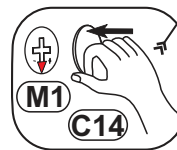
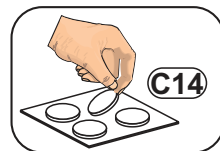
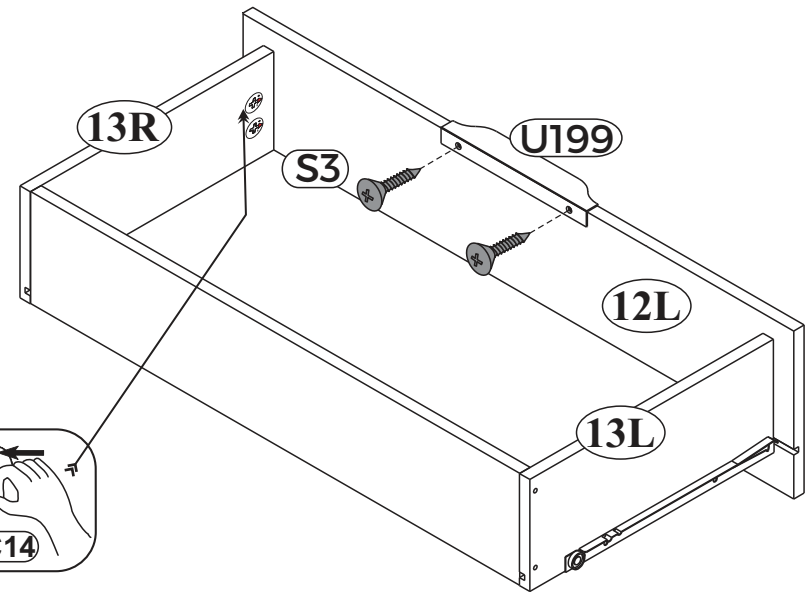
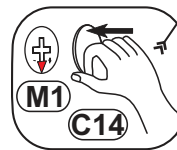
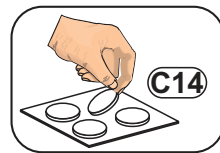
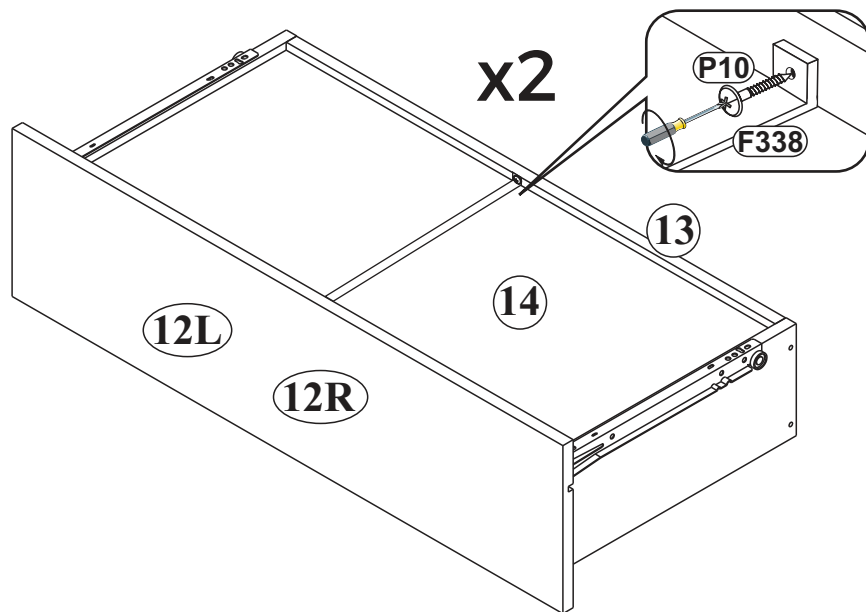
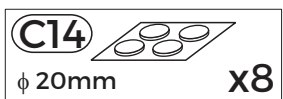
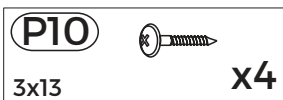
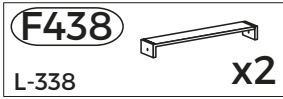
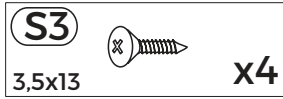
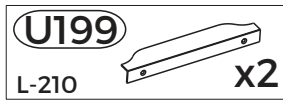


# Step 11

P5  
4x30 x8

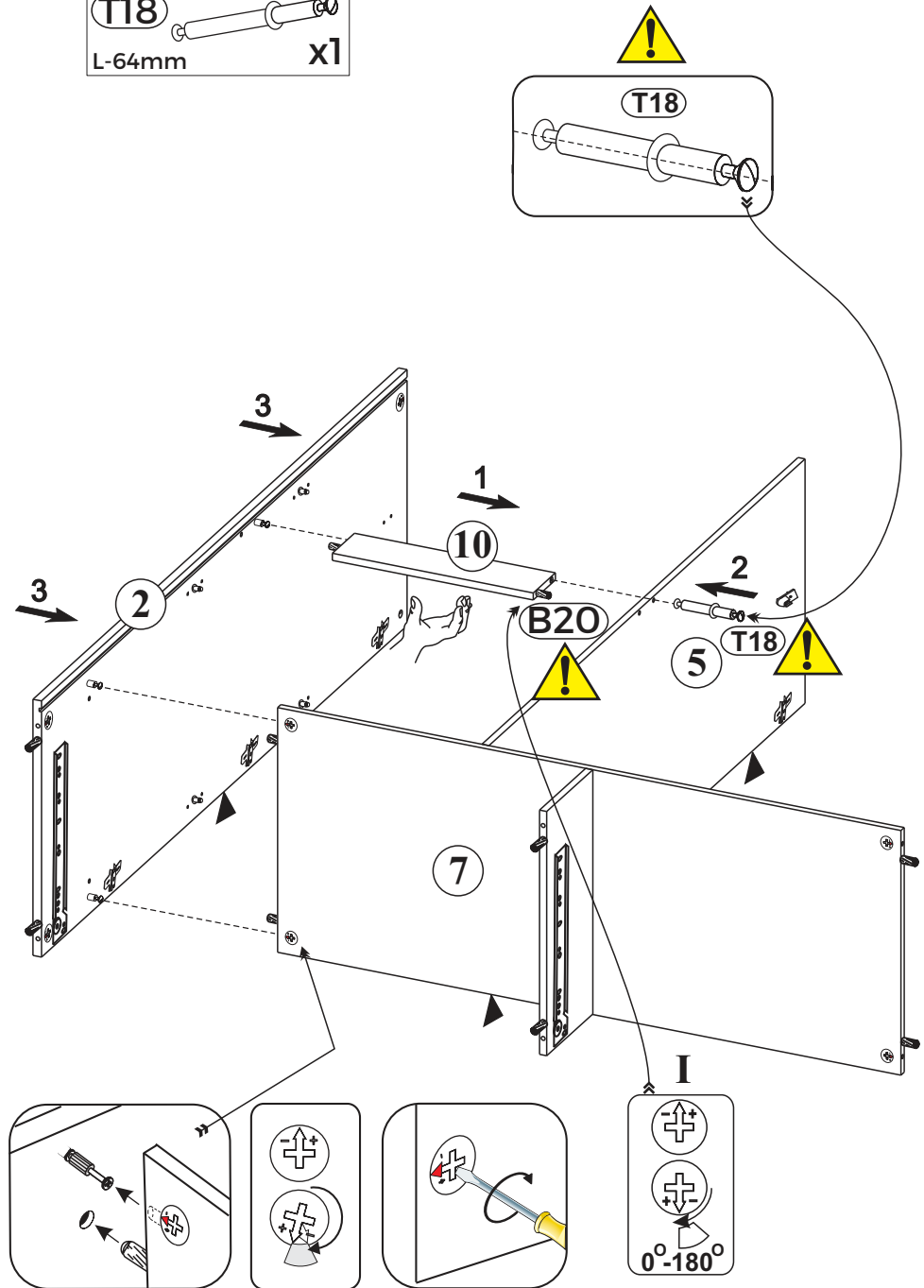
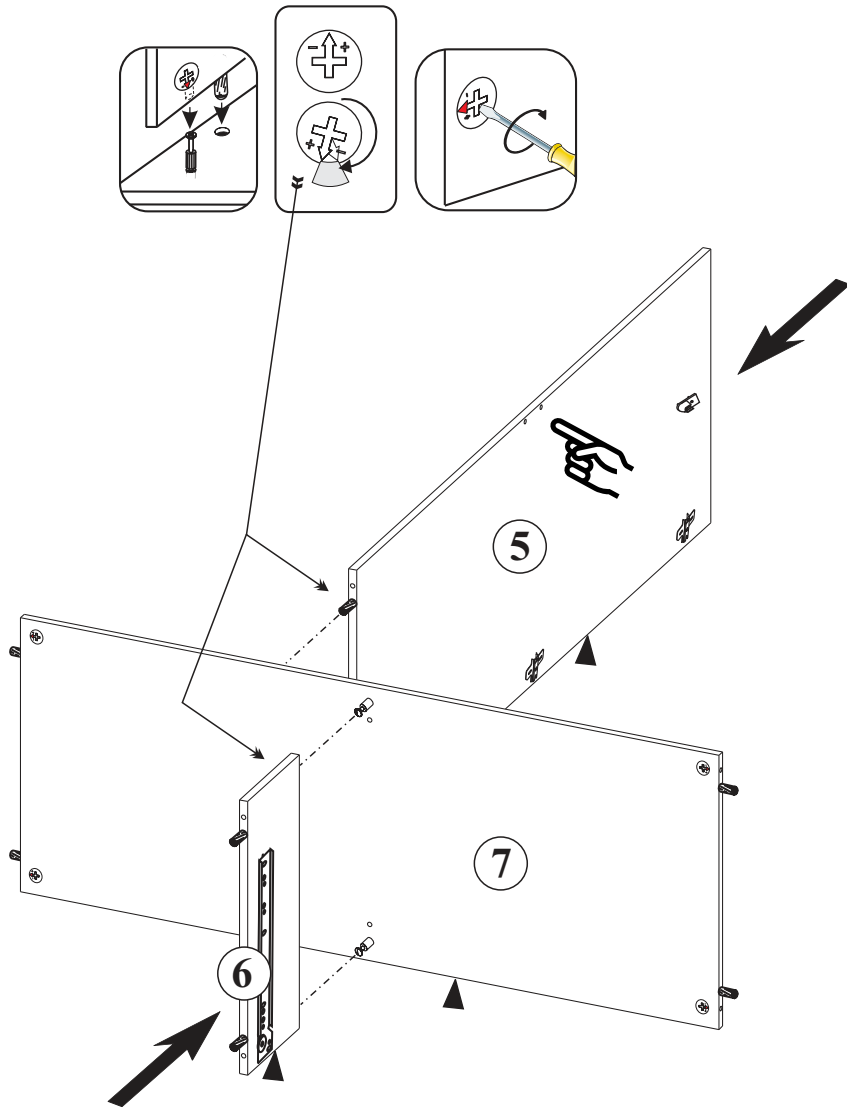


# Step 12

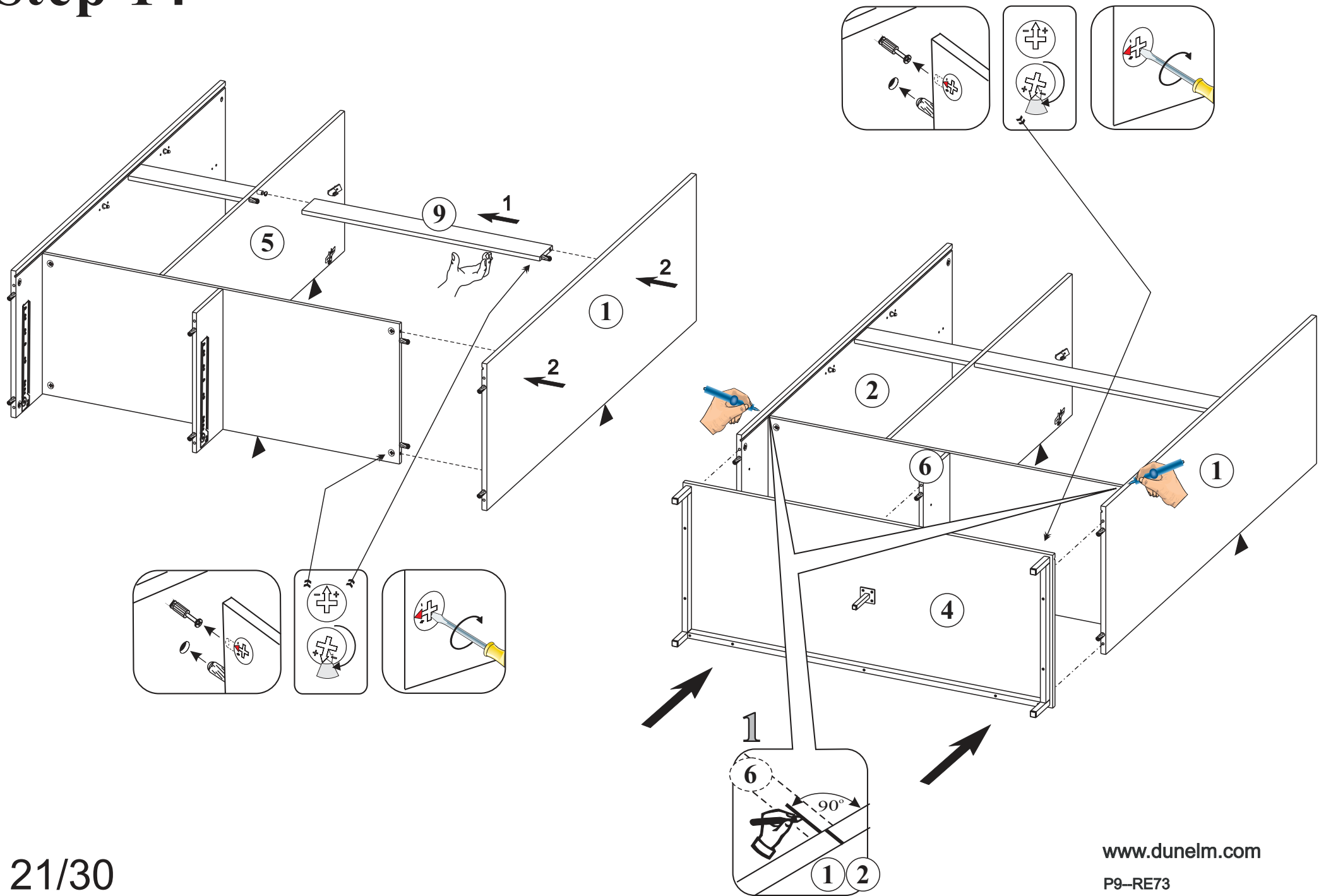


# Step 13

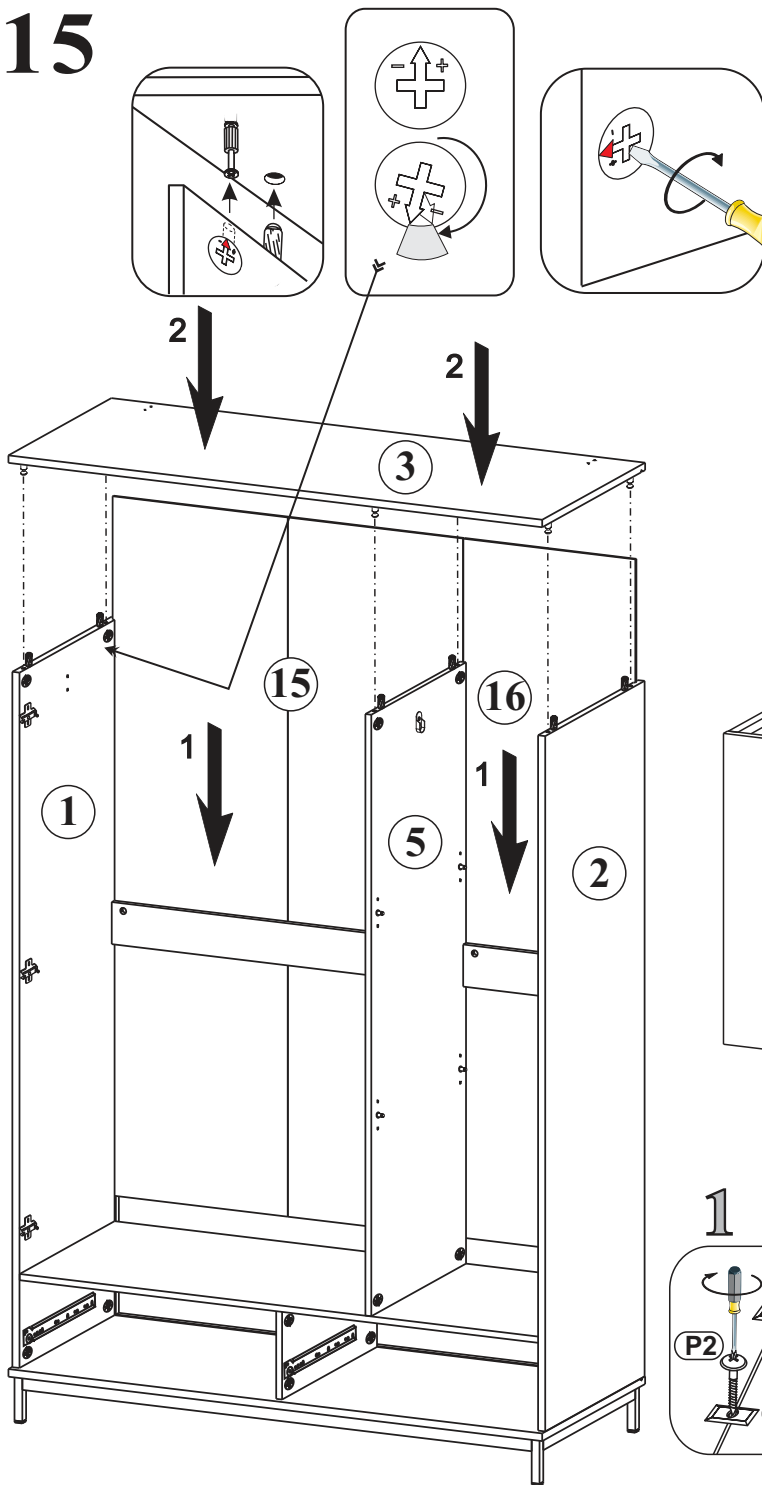
T18  
L-64mm x1






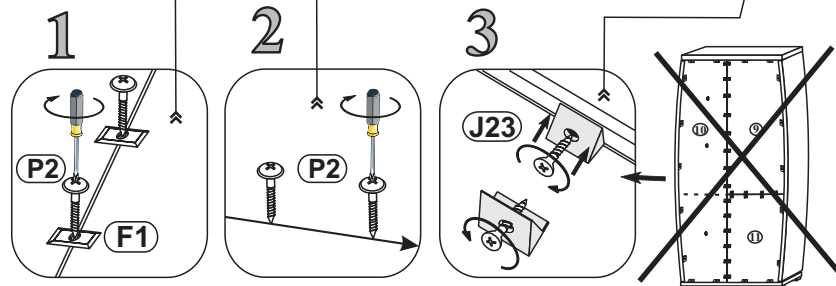
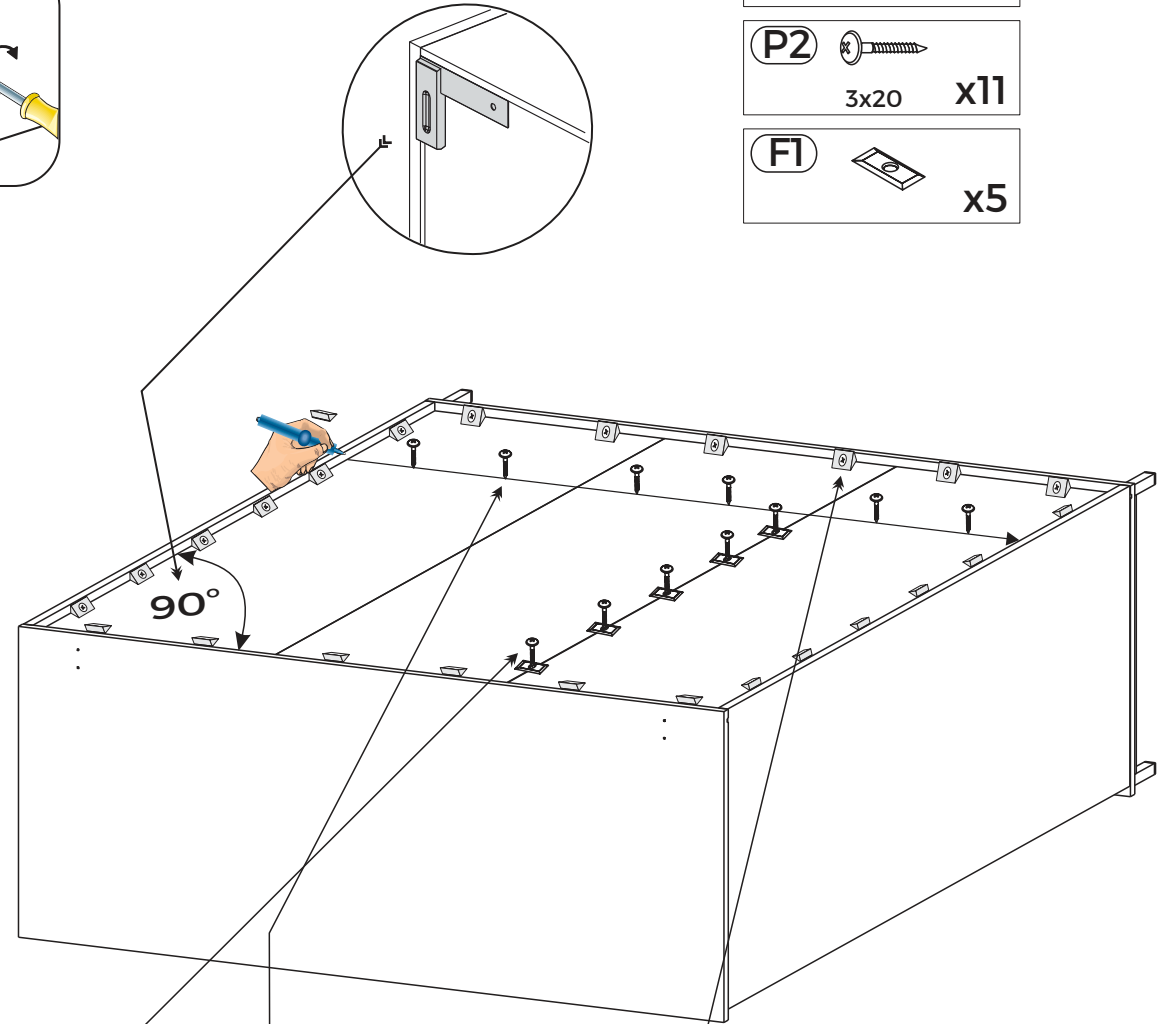
# Step 14



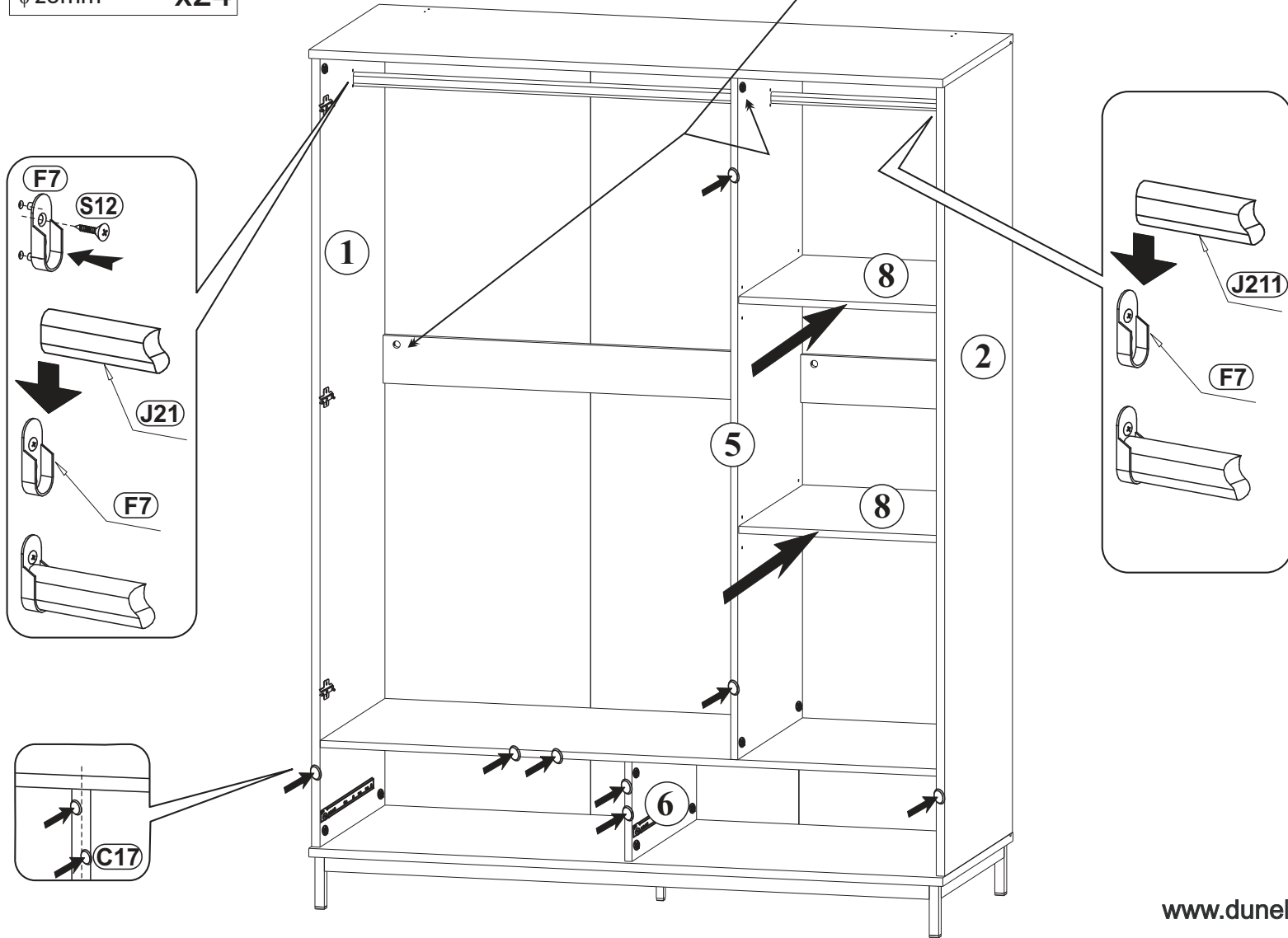
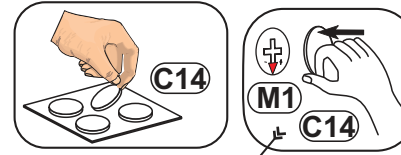
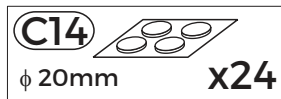
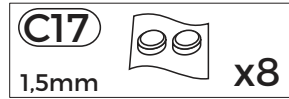
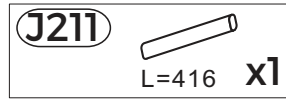
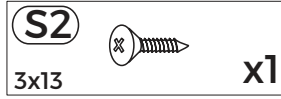
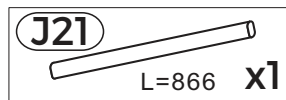
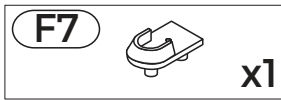
# Step 15



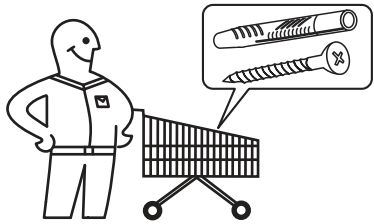
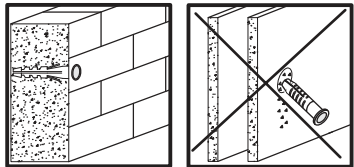
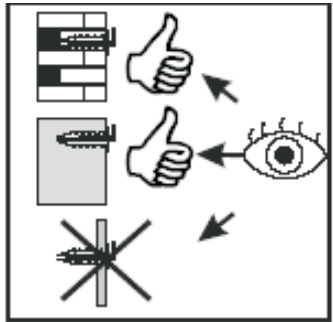
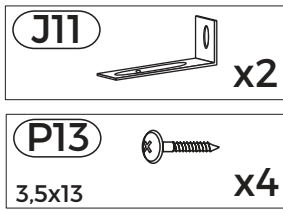
- J23**  x24
- P2**  3x20 x11
- F1**  x5



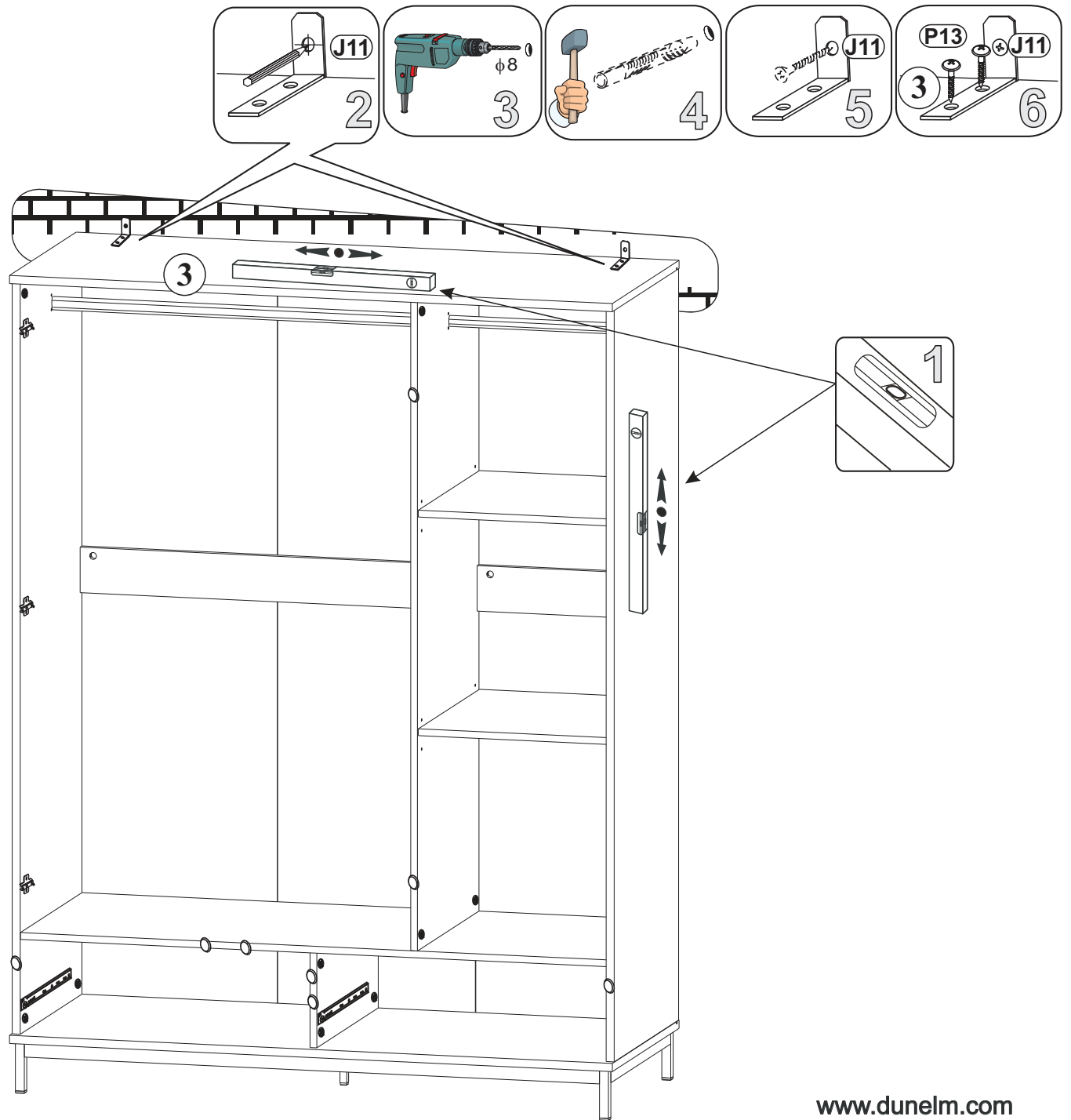
# Step 16



# Step 17



24/30



[www.dunelm.com](http://www.dunelm.com)

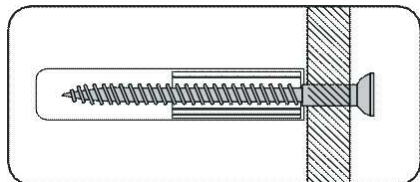
P9-RE73



# Wall Fixings

---

## Step by step



### Important

When drilling into walls always check there are no hidden wires or pipes etc. Make sure that the screws and wall plugs being used are suitable for supporting your unit. Consult a qualified tradesperson if you are unsure.

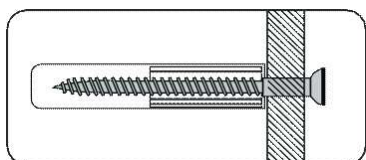
## Hints

1. General Rule; Always use a larger screw and wall plug if you are not sure.
2. Ensure you use the recommended drill bit to match the wall plug and hole size.
3. Ensure you drill the hole horizontally, do not force the drill or enlarge the hole.
4. Take extra care when drilling high walls, ceilings and ceramic tiles. Ensure the plug is sitting below the ceramic tile to avoid splitting or cracking.
5. Ensure wall plugs are well fitted and are a tight fit in the drilled hole.

## Types of Walls

You can use one of the following types of wall plug if your walls are made of brick, breeze block, concrete, stone, wood or plastic board.

### 1. STANDARD Wall Plug General wall materials

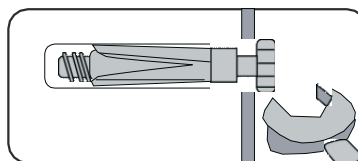


These come in various sizes and are made from plastic or sometimes wood.

### 2. GENERAL PURPOSE Wall Plug Aerated/Breeze block

Generally aerated blocks should not be used to support heavy loads, use a specialist fitting in this case. For light loads, a General Purpose Plug can be used.

### 3. SHIELD ANCHOR Wall Plug Heavy loads



For use with heavier loads such as TV & Hi-Fi Speakers and Satellite Dishes etc.

### 4. CAVITY FIXING Wall Plug

For use with plaster board partitions or hollow wooden doors.

### 5. CAVITY FIXING HEAVY DUTY Wall Plug

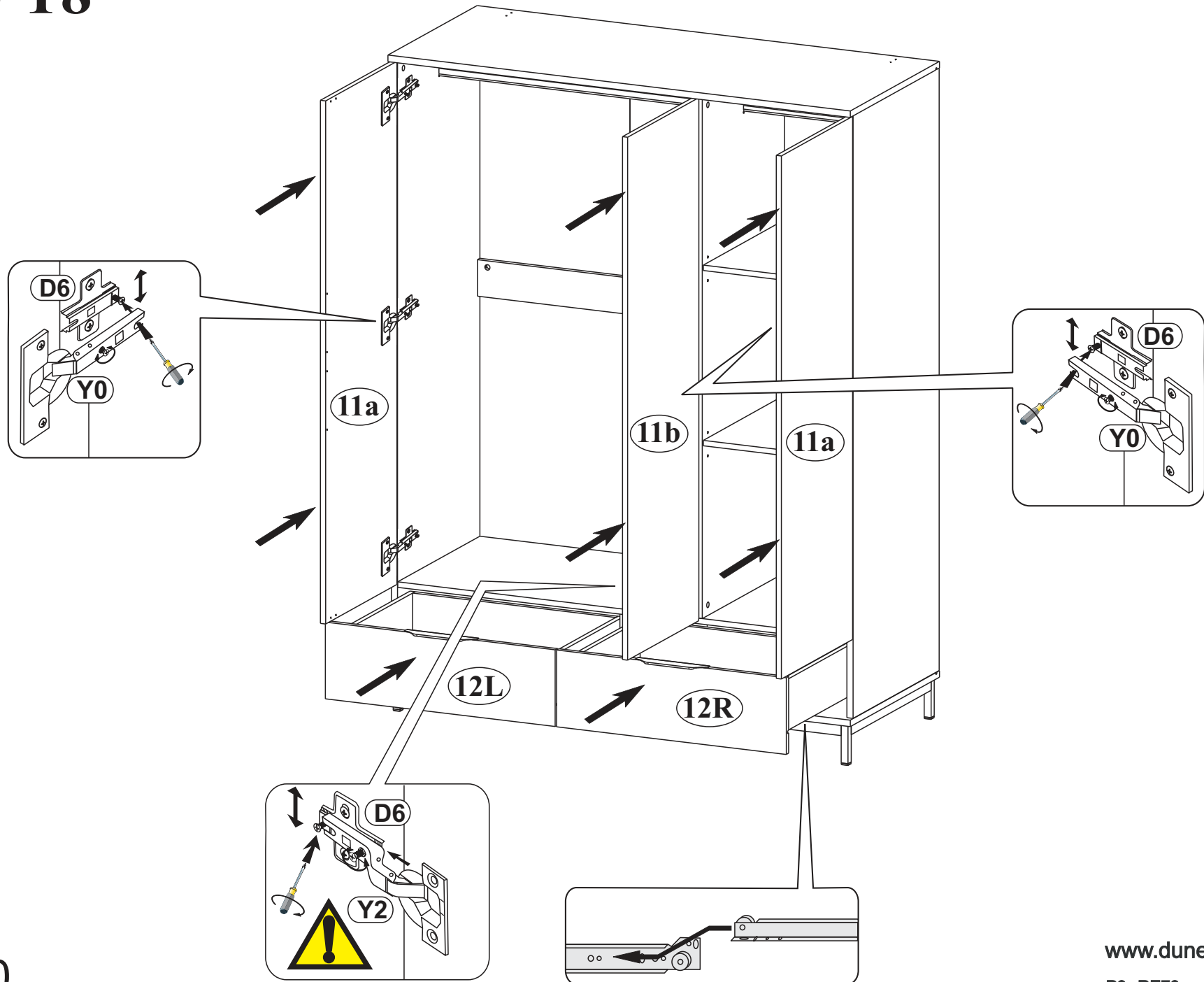
For use with plaster board partitions or hollow wooden doors.

## Wall Fixings

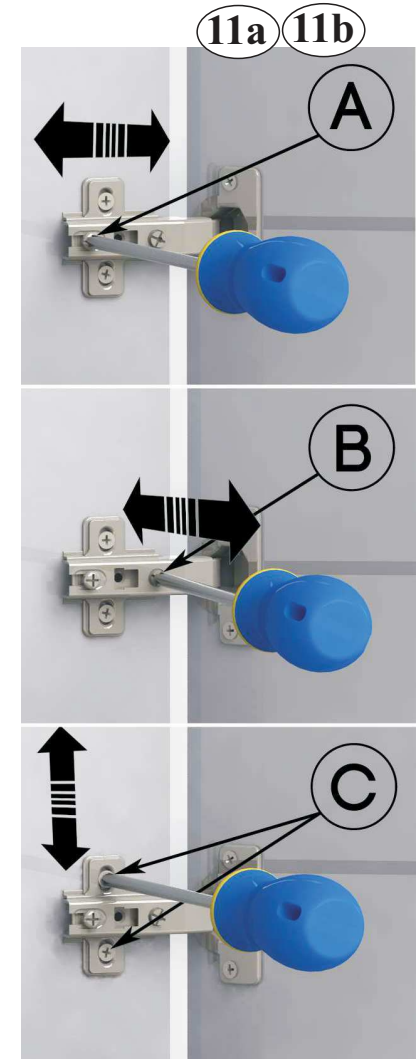
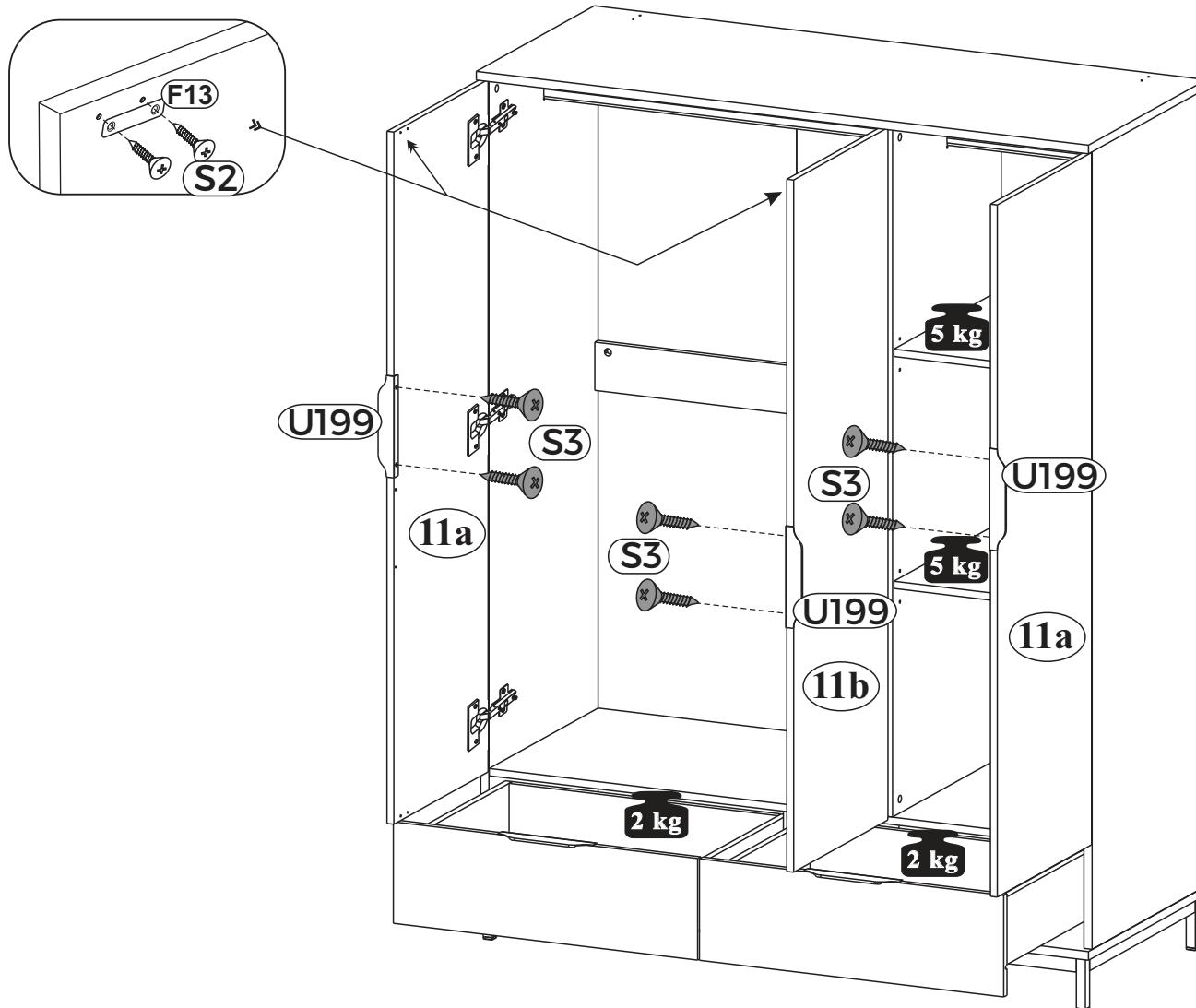
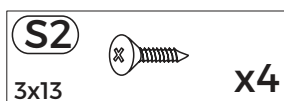
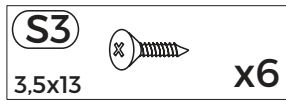
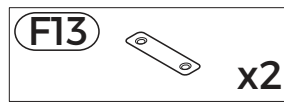
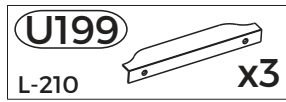
---

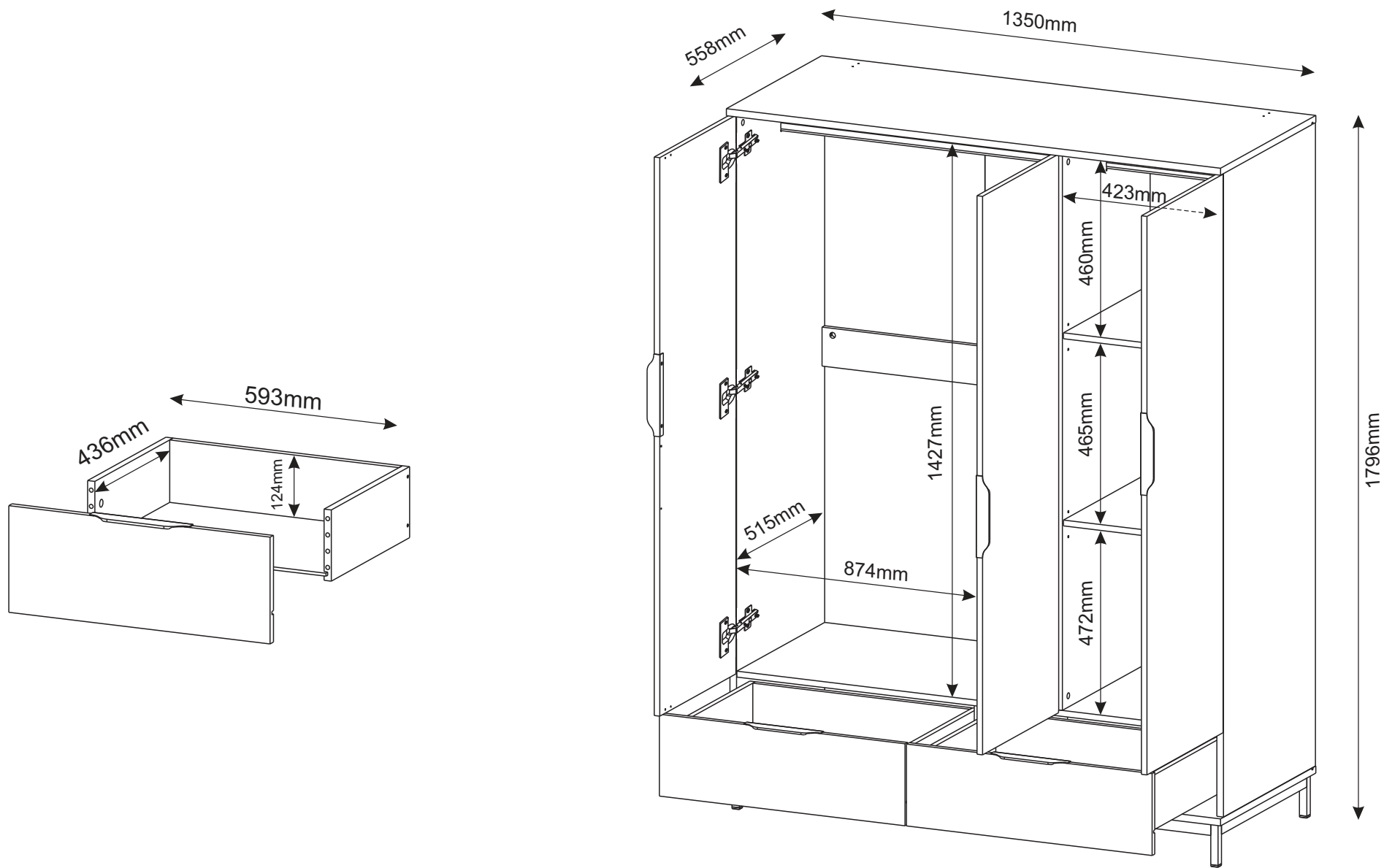
- This wall fixing is provided for your safety and we recommend that once in position the unit is secured to the wall for extrastability.
- Wall fixings may vary depending on item of furniture purchased.
- Wall fittings are not provided as different wall types require different wall plugs and screws.
- Please ensure that you use fittings that are suitable for your wall type (see previous page for a general guide).
- Please ensure that the head of the screws used has a diameter greater than the diameter of the hole on the wall fixing and that the fixing is safe and secure before using.
- When drilling into the walls, always ensure there are no hidden wires or pipes.
- If you are unsure, we recommend you consult a qualified Tradesperson.

# Step 18



# Step 19





---

# Wood Care Advice

---

## Wood care advice

Wood is a natural product and each piece is individual.

As a natural product, wood is affected by temperature and humidity. We recommend that you avoid placing the furniture directly in front of heat sources such as radiators or fires or in humid areas such as bathrooms or next to bathrooms as this can cause cracking or warping over time.

The colour will mellow over time and new items can vary in shade from items that you have already purchased.

Strong direct sunlight can affect the colour dramatically, so try to avoid this as much as possible, we also recommend that any ornaments, coasters and items placed on the product are periodically moved around to allow the colour to mellow evenly.

Always use mats and coasters to protect the surface when placing items on the furniture. This will help to protect the finish from heat, liquids or items that might scratch your furniture. Additionally, if writing on your product, use a mat or pad so protect the surface.

If items are to be placed on the surface of your furniture and have rubber feet, it is advisable to use mats to prevent marking.

Always lift your furniture into place, avoid dragging it across the floor as this can cause damage to joints.

When placing furniture on a wooden or laminate floor, please ensure that the plastic or felt protectors are securely fitted and in place.

Avoid rocking backwards on two legs of the chair as this will weaken the joints

Only clean using a damp cloth and mild detergent, do not use bleach or abrasive cleaners.

From time to time check that there are no loose screws on this unit.

Wood can absorb liquids, for this reason, remove any spills immediately to avoid staining.

When mopping the floor around where your chairs and stools are placed avoid getting the legs too wet.

Dust regularly with a soft lint free cloth or duster.

The use of abrasive polish or siliconbased polishes is not advised as these can affect the polished finish and joints over time.

Ensure the polish you are using is correct for your product as some polishes can degrade protective layers on furniture. Ensure you patch test a polish or cleaning product on a discrete area before applying it to the whole product.

Uneven floors could give the impression that doors of wall units and wardrobes are out of alignment. Be aware of this and compensate if necessary, by adjusting the hinges or packing a corner to level the item. Please refer to the instructions, included with your furniture, and adjust accordingly.

If your furniture becomes stained, scratched, chipped or suffers other damage, we recommend professional help is sought to restore it. Please contact our customer services line for recommended agents.

Periodically, check the tightness of fixings and tighten if necessary.

Always follow fitting instructions carefully and retain them for future use.

**Finally, we hope you enjoy your furniture for many years to come and thanks again for your purchase.**