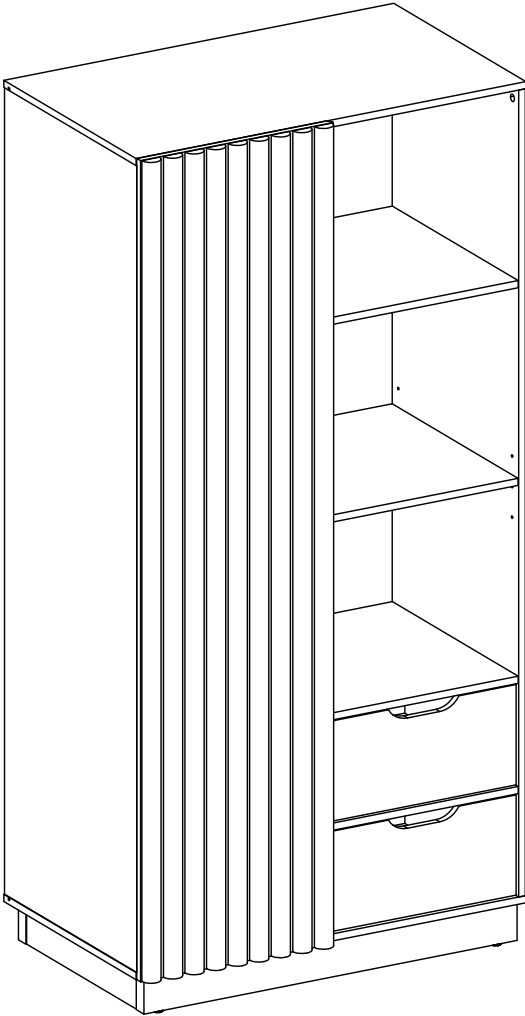


Dax Double Wardrobe

INSTRUCTIONS



Thank You

Dear Customer

Check the pack and make sure you have all the parts listed below. If not, contact the helpline on 03451 656565 who will be able to help you.

Safety advice

IMPORTANT - The first step you need to take is to ensure your safety! Please take the time to read and understand these instructions before assembling your furniture.

Please keep these instructions for furniture reference.

Keep children and animals away from the assembly area. This furniture contains small parts that could cause choking if swallowed.

Keep all plastic wrapping materials away from babies and children to avoid danger of suffocation.

Ensure that all packaging is disposed of carefully and responsibly.

From time to time check that there no loose fittings on the unit, re-tighten when necessary.

Two people maybe required for the assembly of this product.

Once items are part or fully assembled, they are not returnable unless faulty.

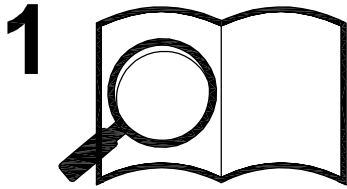
This item is not for outdoor use - unless stated otherwise.

Some items will be supplied with a wall fixing strap, which we recommend is used to secure the item to the wall, to prevent a child from accidentally pulling furniture over. Furniture can be dangerous if incorrectly installed. Assembly should be carried out by a competent person. No liability will be accepted for damage or injury caused by incorrectly installed or assembled furniture.

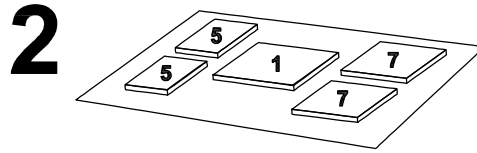
Top Tips Before You Start !

WARNING

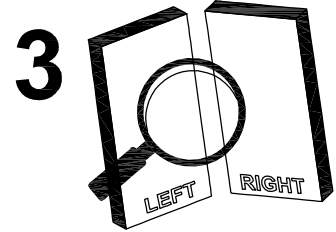
The Furniture is Exempt From Our Home Approval Policy Once Assembled.



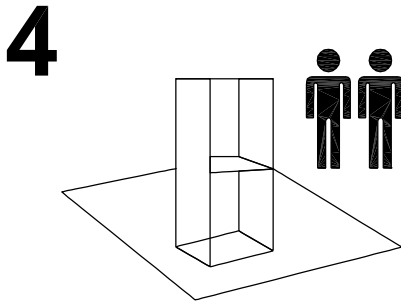
Read the Assembly Instruction carefully, check that all Parts and Hardwares are present !



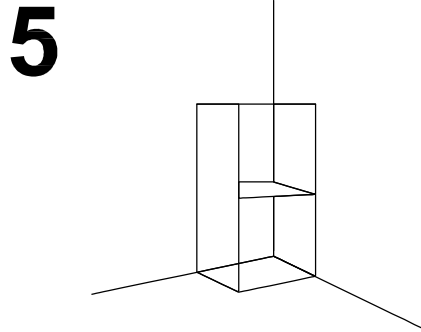
Layout all of the parts on a soft surface, and separate in groups for the same numbers to prevent any damage and easy identification. (Note: protected surface required for High Gloss Finished Items).



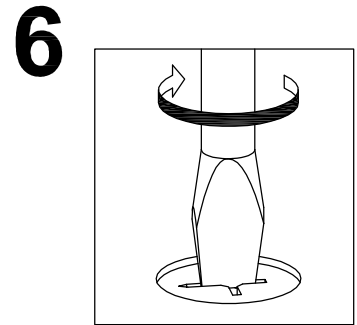
Carefully identify each parts required on that step, especially those that are similar. (e.g., Left-Right).



Please ensure you have sufficient space and people (as indicated in Page 1) to assemble the product safely.



Where possible, all items are assembled near to the area in which they will be place in use, to avoid moving the product unnecessary once assembled.



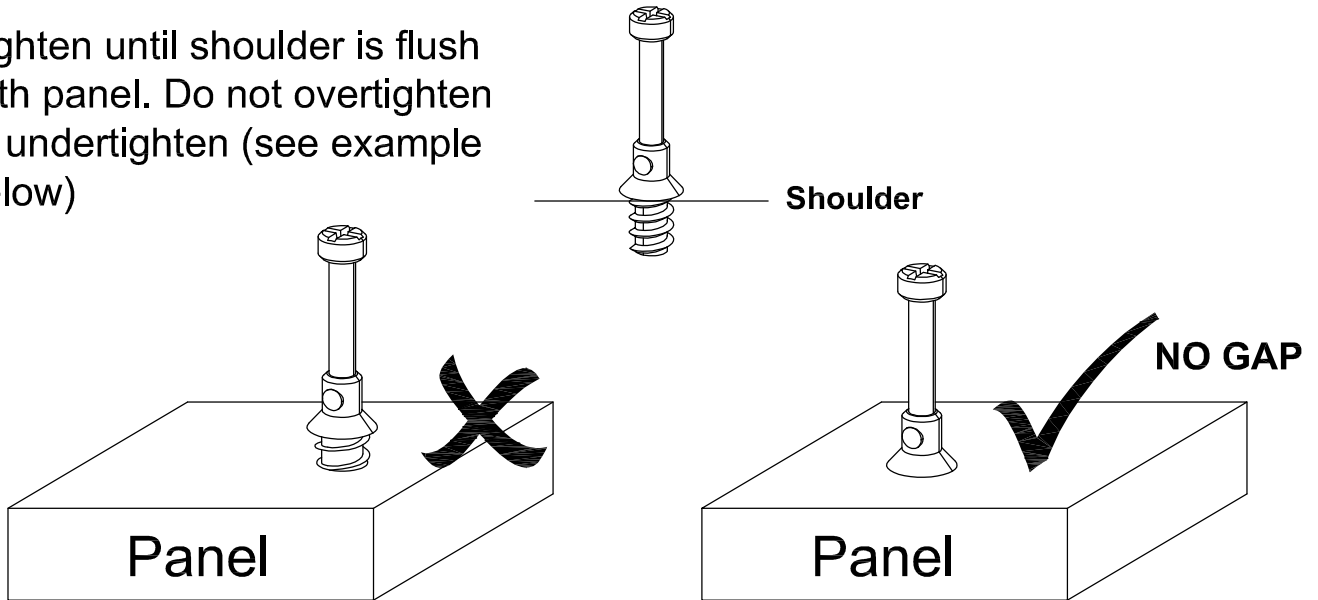
During assembly please take care not to over-tighten any fittings, as this may damage the product.

Note : For faster assembly strongly recommended to assemble sub-assembly part before the main body (e.g. drawer, hutch).

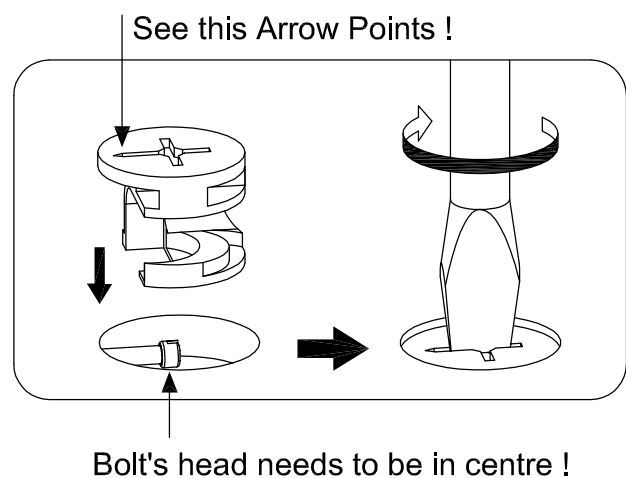
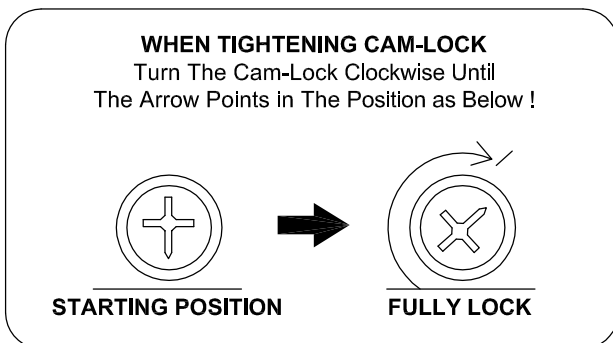
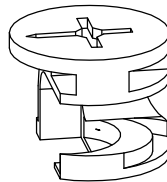
Special Tips for Fitting Minifix Cam (Cam-Lock), and Minifix Bolt (Cam-Bolts)

CAM-BOLT

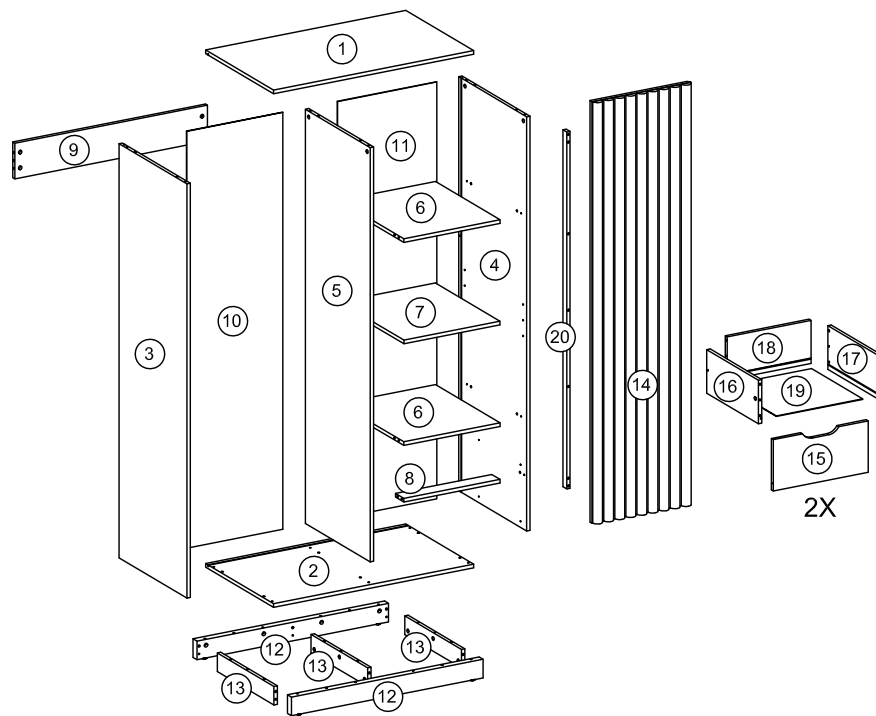
Tighten until shoulder is flush with panel. Do not overtighten or undertighten (see example below)



CAM-LOCK



Component Parts Supplied



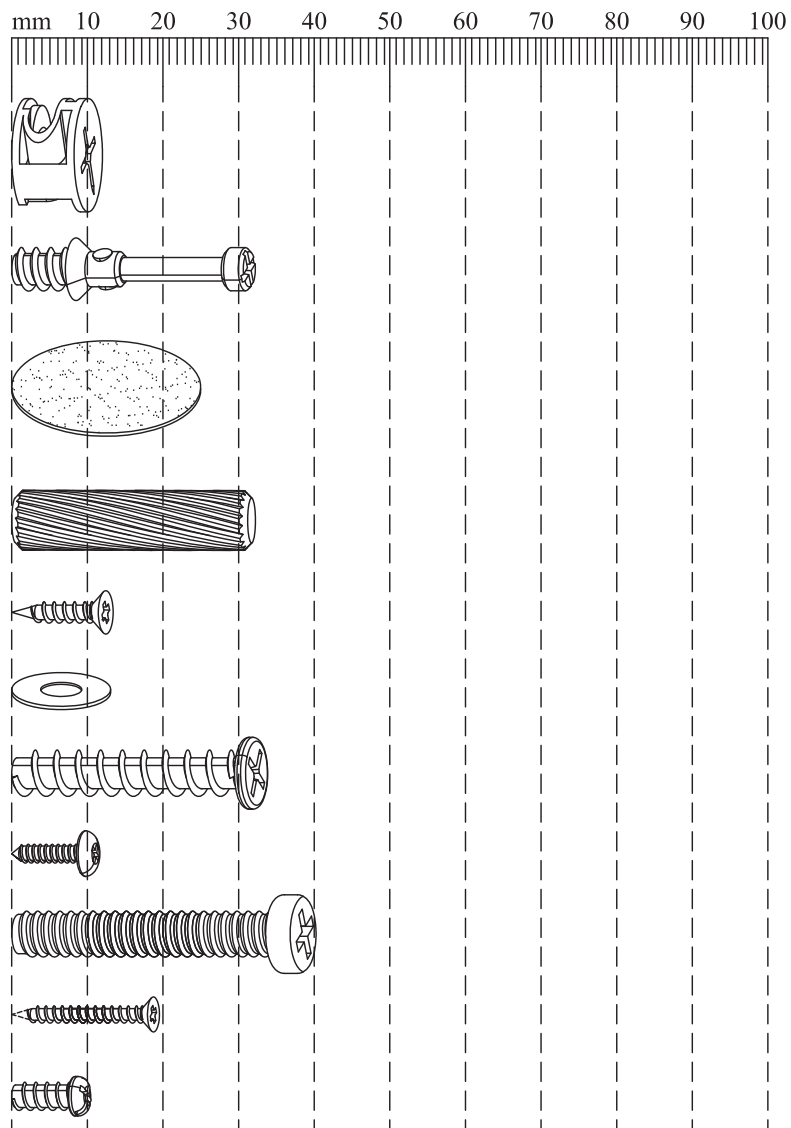
Ref	Description	Dimensions	Qty
①	Top panel	886mm x 520mm x 15mm	1
②	Base panel	886mm x 520mm x 15mm	1
③	Left panel	1690mm x 520mm x 15mm	1
④	Right panel	1690mm x 520mm x 15mm	1
⑤	Divider panel	1690mm x 497mm x 15mm	1
⑥	Fix shelf	426mm x 495mm x 15mm	2
⑦	Adjustable Shelf	425mm x 495mm x 15mm	1
⑧	Drawer support	426mm x 64mm x 15mm	1
⑨	Rear panel	853mm x 146mm x 15mm	1
⑩	Left backboard	1701mm x 425mm x 2.5mm	1
⑪	Right backboard	1701mm x 439mm x 2.5mm	1
⑫	Large bottom support	848mm x 76mm x 30mm	2
⑬	Small bottom support	434mm x 76mm x 15mm	3
⑭	Door	1720mm x 438mm x 36mm	1
⑮	Front drawer	420mm x 210mm x 15mm	2
⑯	Left drawer	396mm x 178mm x 15mm	2
⑰	Right drawer	396mm x 178mm x 15mm	2
⑱	Rear drawer	371mm x 176mm x 15mm	2
⑲	Bottom drawer	382mm x 392.5mm x 2.5mm	2
⑳	Metal support	1495mm x 30mm x 15mm	1

Parts and fittings








Fixtures and fittings supplied (actual size)

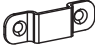



Ref	Dimensions	Qty
(A)	15mm x 12mm	41
(B)	7.5mm x 32mm	41
(C)	Ø25mm	41
(D)	8mm x 32mm	56
(E)	6mm x 13mm	2
(F)	6mm x 13mm	7
(G)	10mm x 33.5mm	10
(H)	3mm x 12mm	4
(I)	6mm x 40mm	7
(J)	4mm x 19mm	21
(K)	4mm x 10mm	8



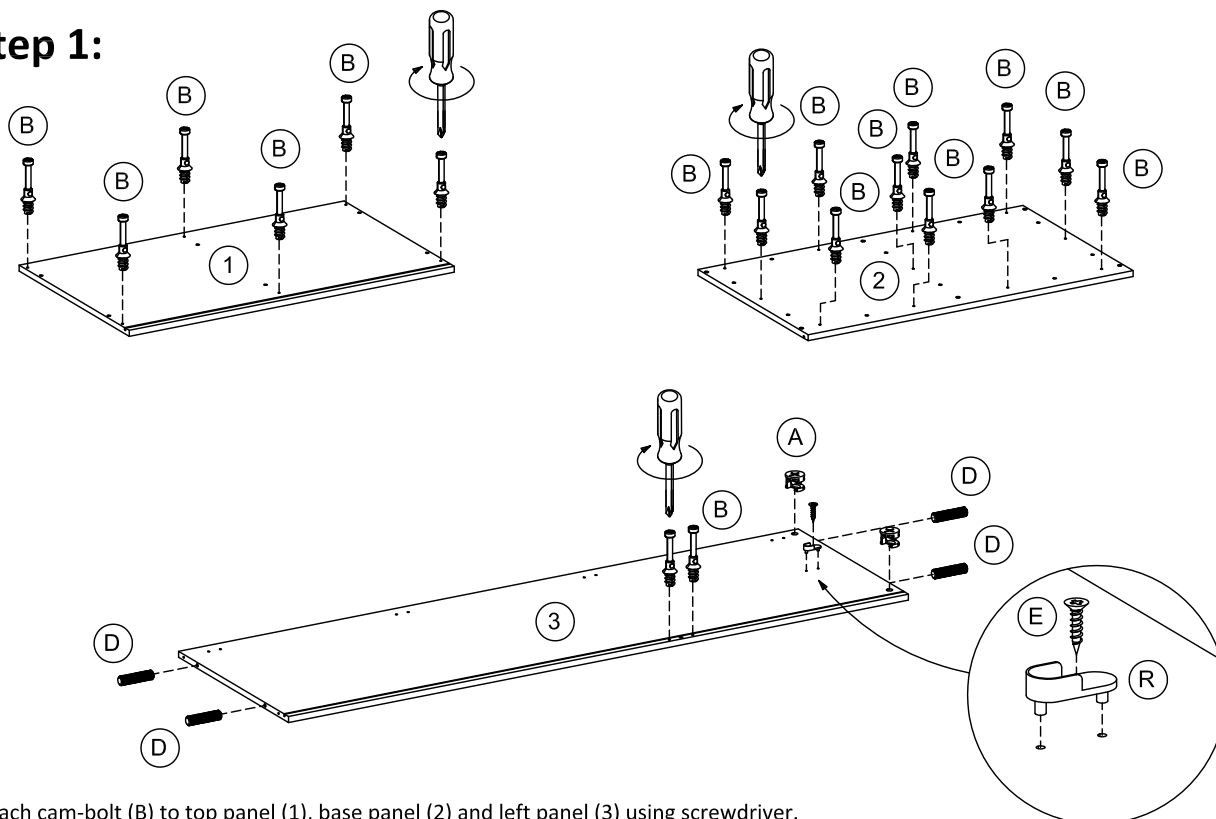
Parts and fittings

Fixtures and fittings supplied (not to scale)

Ref	Item	Visual	Qty
L	Backply stopper		18
M	Metal pipe		1
N	Shelf support		4
O	Rear panel clamp		3
P	Door hinge		4

Ref	Item	Visual	Qty
Q	Cable tie mounts		4
R	Pipe support		2
S	Cable tie		2
T	Adjuster		6

Step 1:



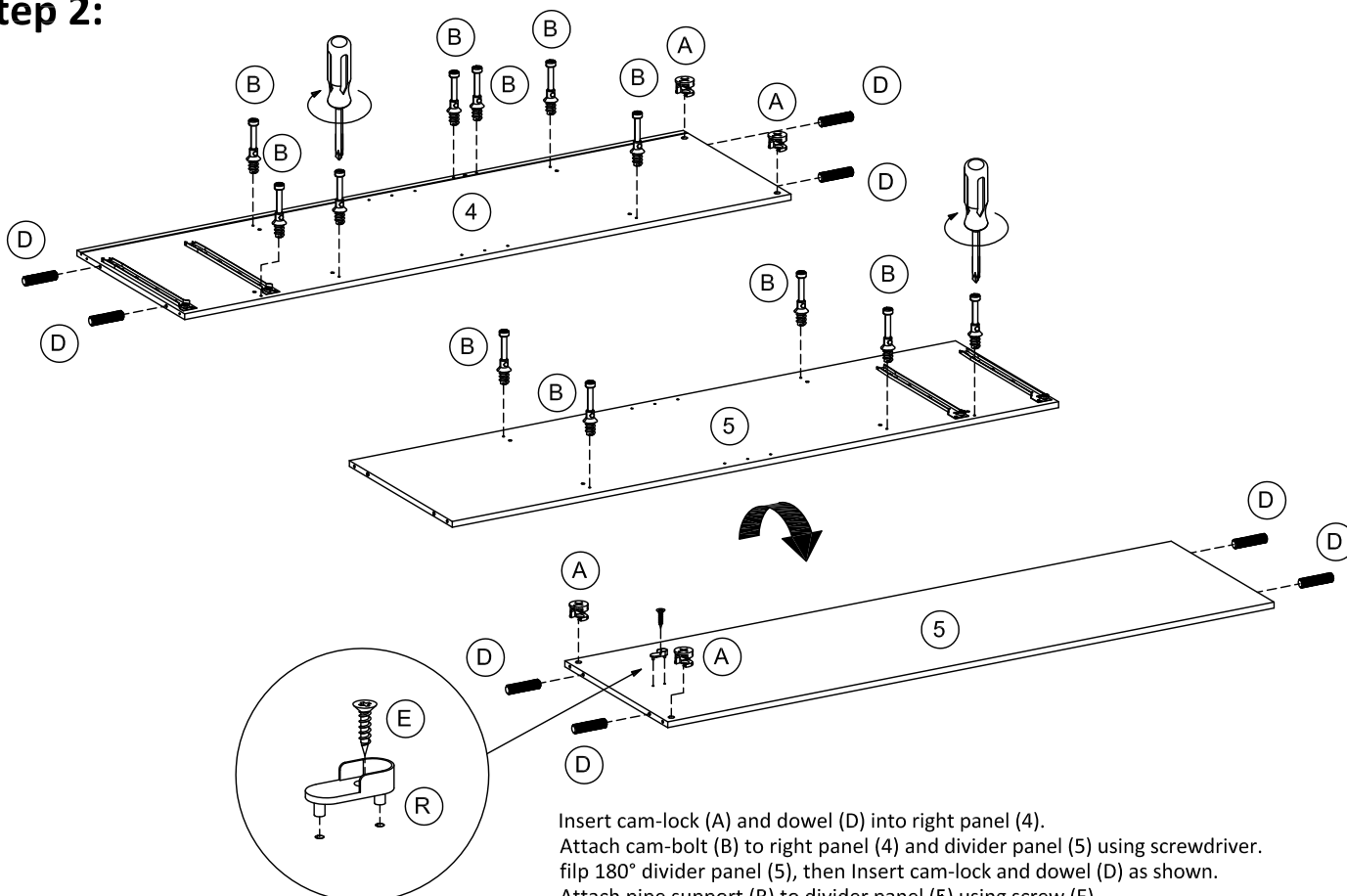
Attach cam-bolt (B) to top panel (1), base panel (2) and left panel (3) using screwdriver.

Insert dowel (D) into left panel (3) as shown.

Attach pipe support (R) to left panel (3) using screw (E).

Insert cam-lock (A) into left panel (3).

Step 2:



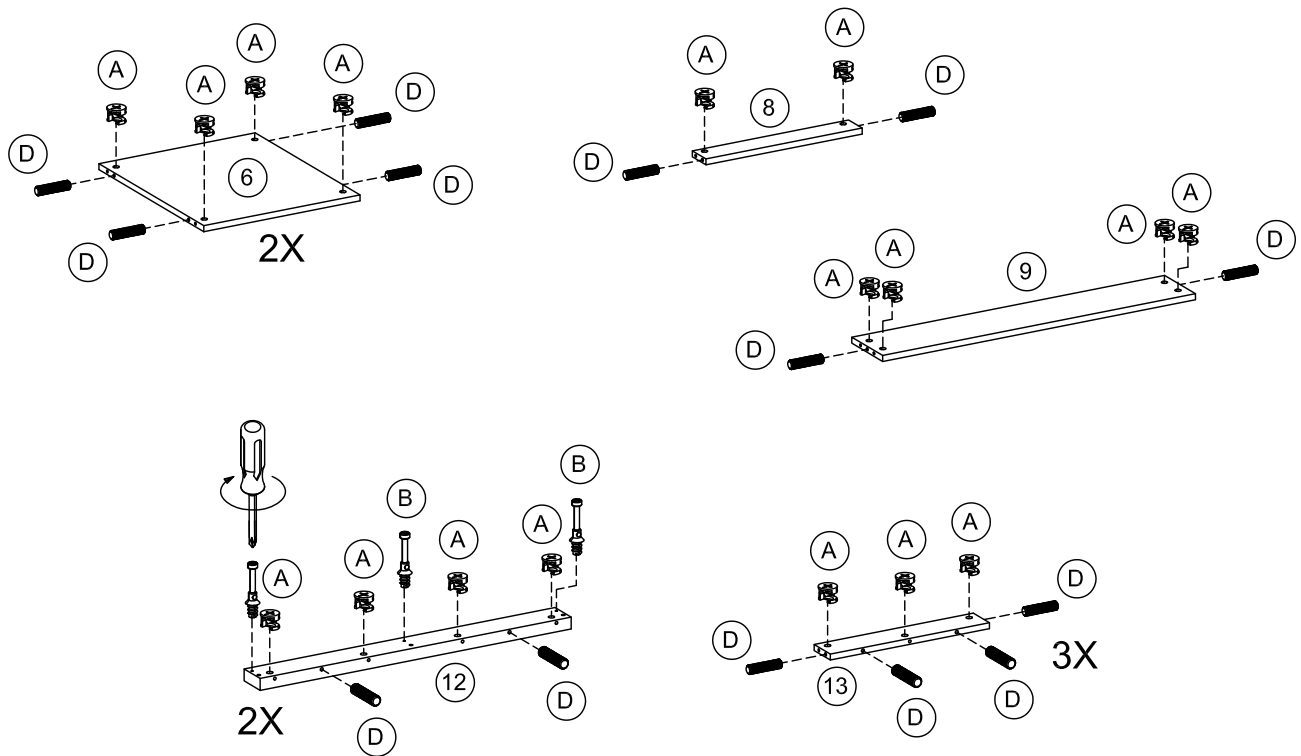
Insert cam-lock (A) and dowel (D) into right panel (4).

Attach cam-bolt (B) to right panel (4) and divider panel (5) using screwdriver.

Flip 180° divider panel (5), then Insert cam-lock and dowel (D) as shown.

Attach pipe support (R) to divider panel (5) using screw (E).

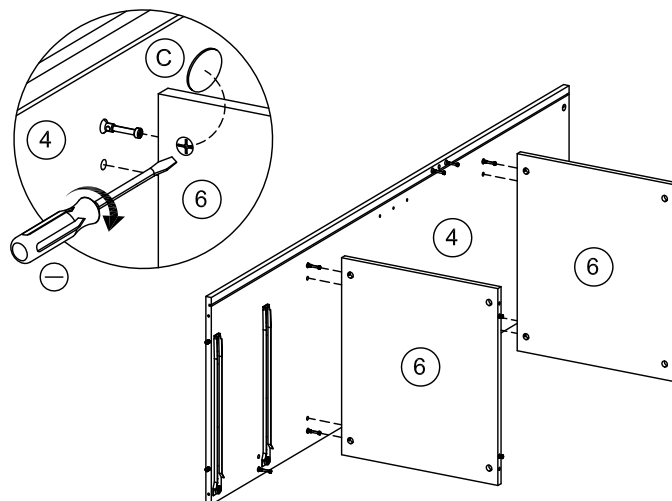
Step 3:



Attach cam-bolt (B) to large bottom support (12) using screwdriver.

Insert cam-lock (A) and dowel (D) into fix shelf (6), drawer support (8), rear panel (9), large bottom support (12) and small bottom support (13).

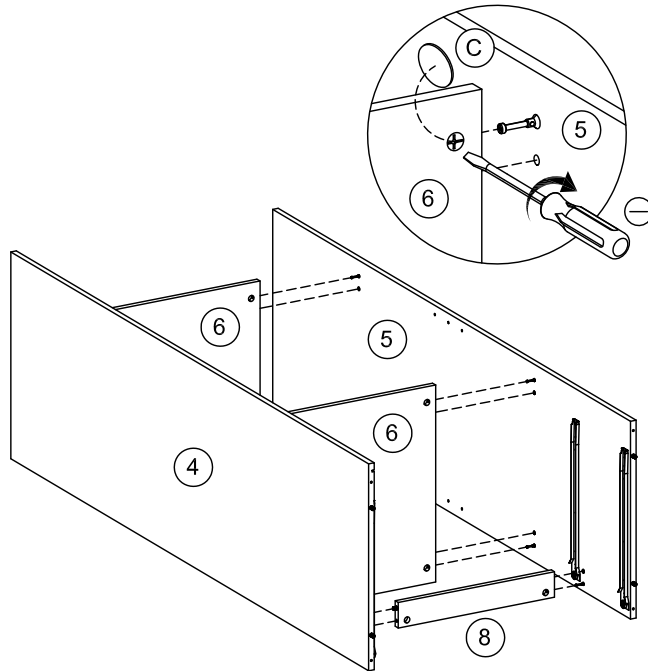
Step 4:



Attach fix shelf (6) to right panel (4).

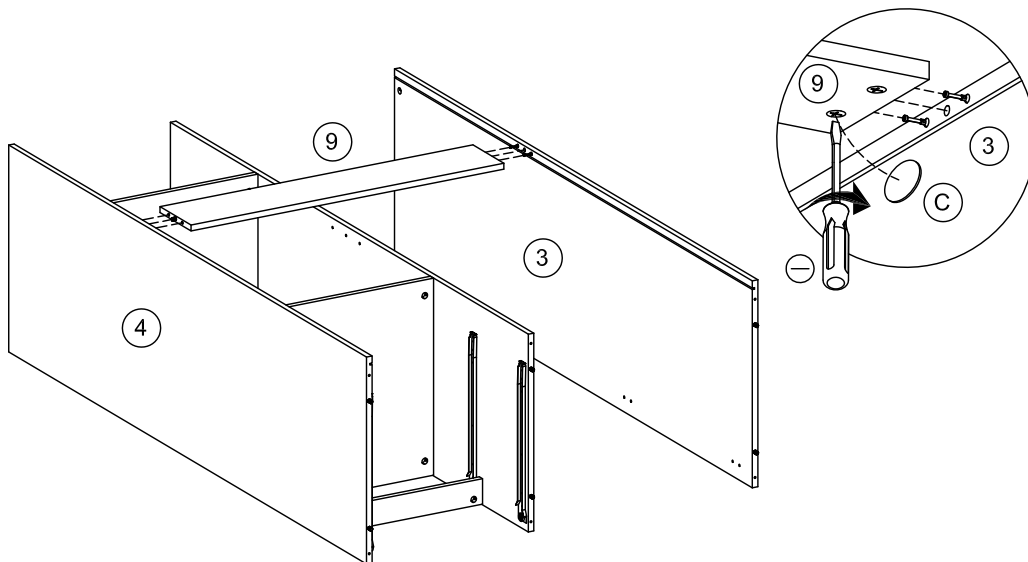
Turn the cam-lock (A) clockwise to lock using screwdriver, then paste cam-sticker (C).

Step 5:



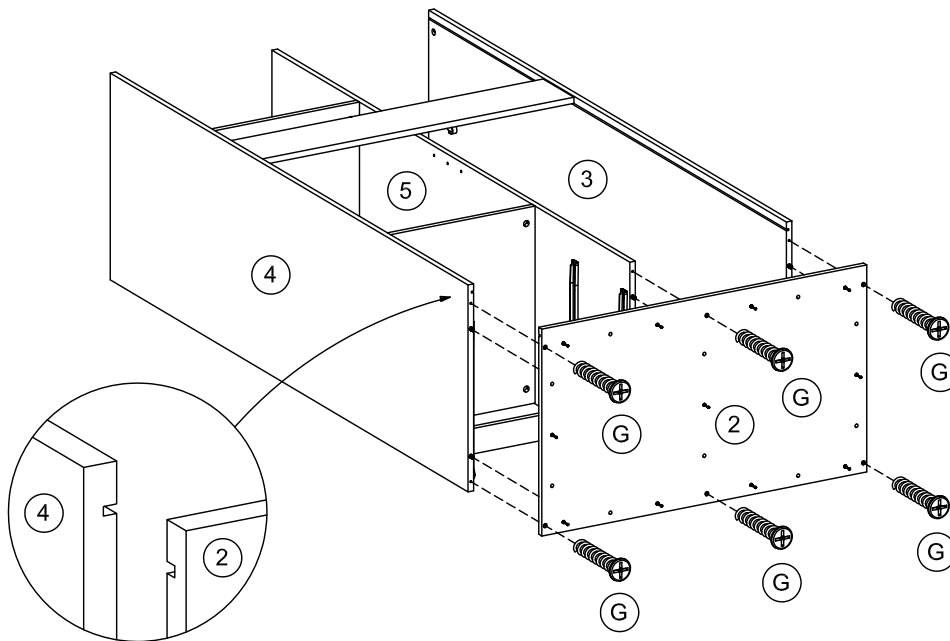
Attach divider panel (5) and drawer support (8) to right assembly.
Turn the cam-lock (A) clockwise to lock using screwdriver, then paste cam-sticker (C).

Step 6:



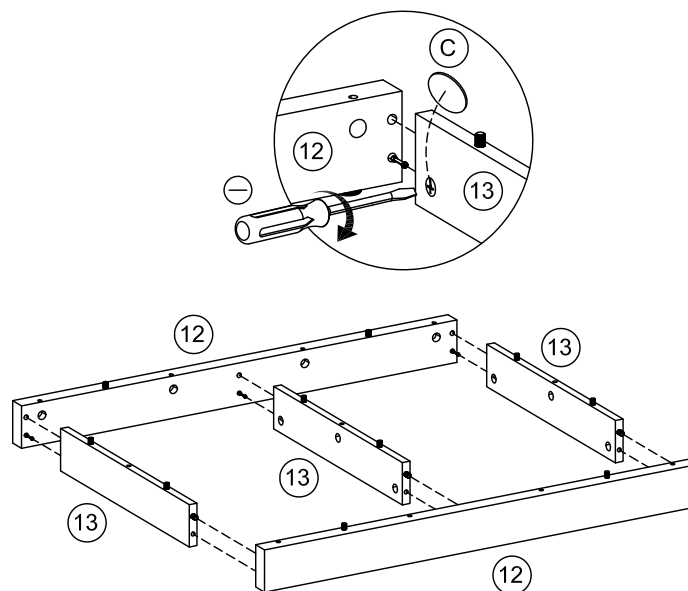
Attach rear panel (9) in the between right assembly and left panel (3) as shown.
Turn the cam-lock (A) clockwise to lock using screwdriver, then paste cam-sticker (C).

Step 7:



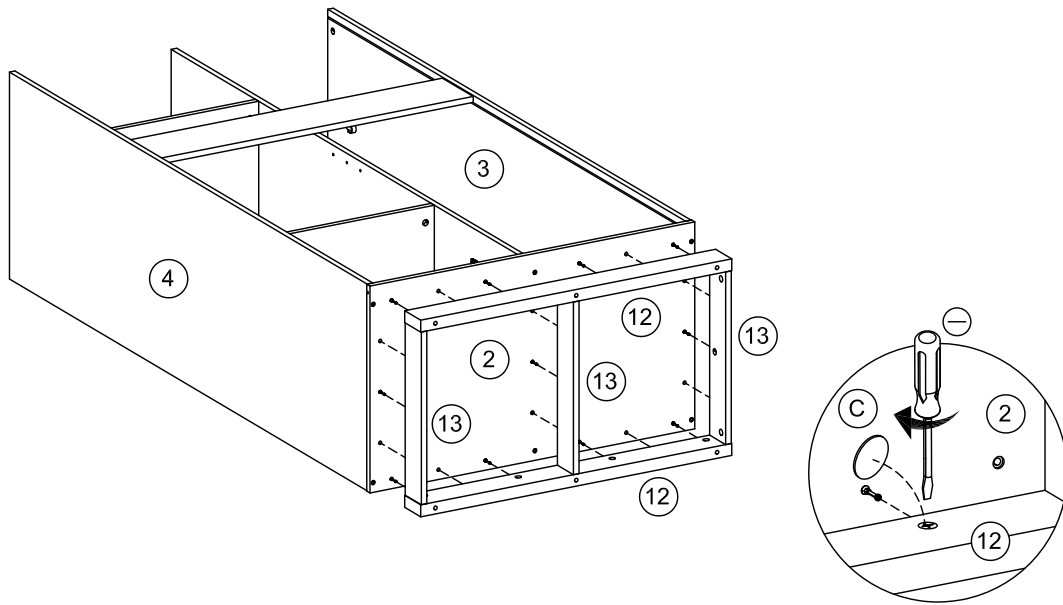
Attach base panel (2) to case assembly using screws (G) as shown.

Step 8:



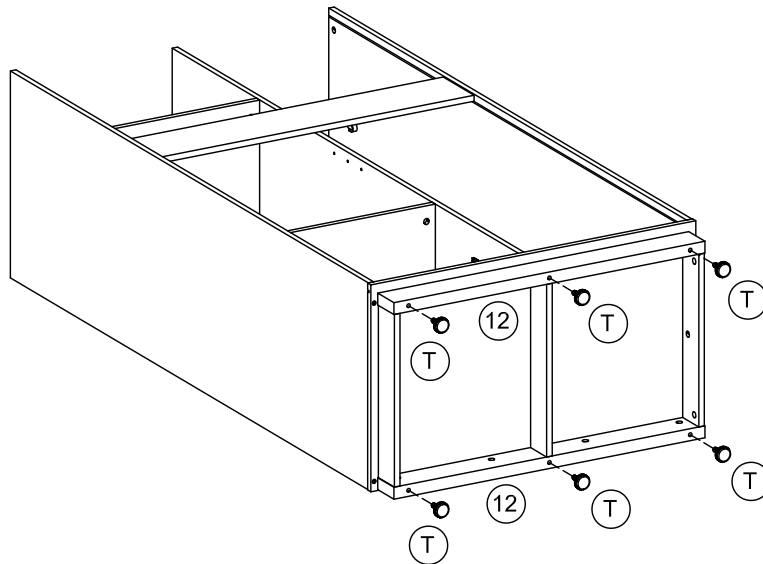
Attach small bottom support (13) in the between large bottom support (12) as shown.
Turn the cam-lock (A) clockwise to lock using screwdriver, then paste cam-sticker (C).

Step 9:



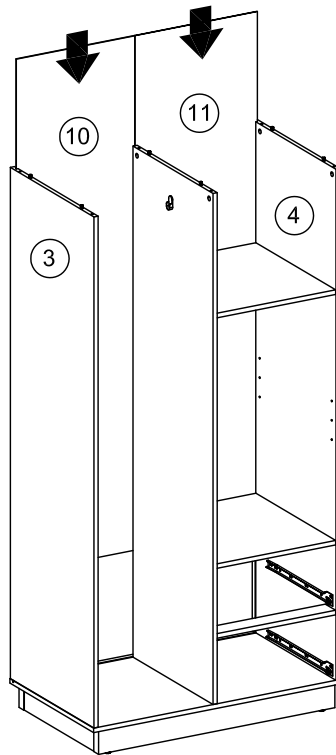
Attach bottom support assembly to case assembly as shown.
Turn the cam-lock (A) clockwise to lock using screwdriver, then paste cam-sticker (C).

Step 10:



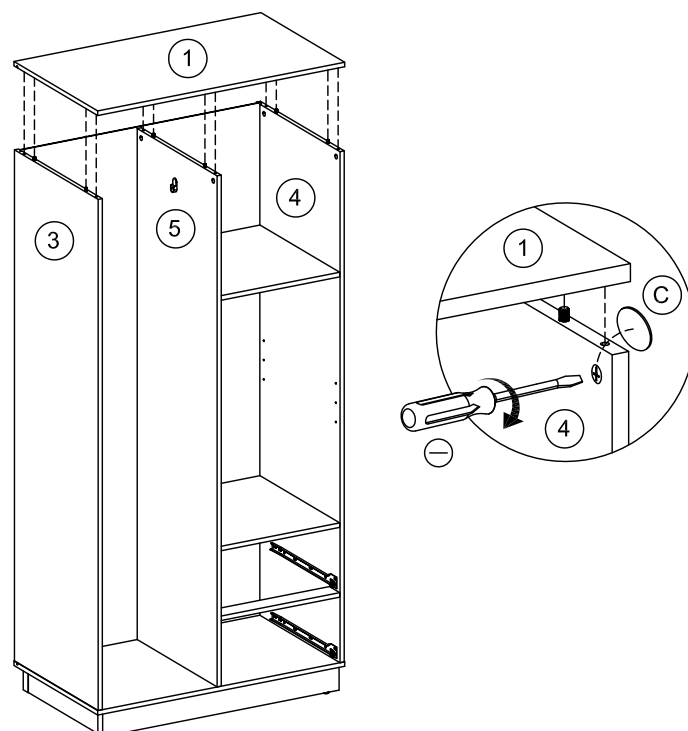
Install adjuster (T) on the bottom of the case assembly as shown.

Step 11:



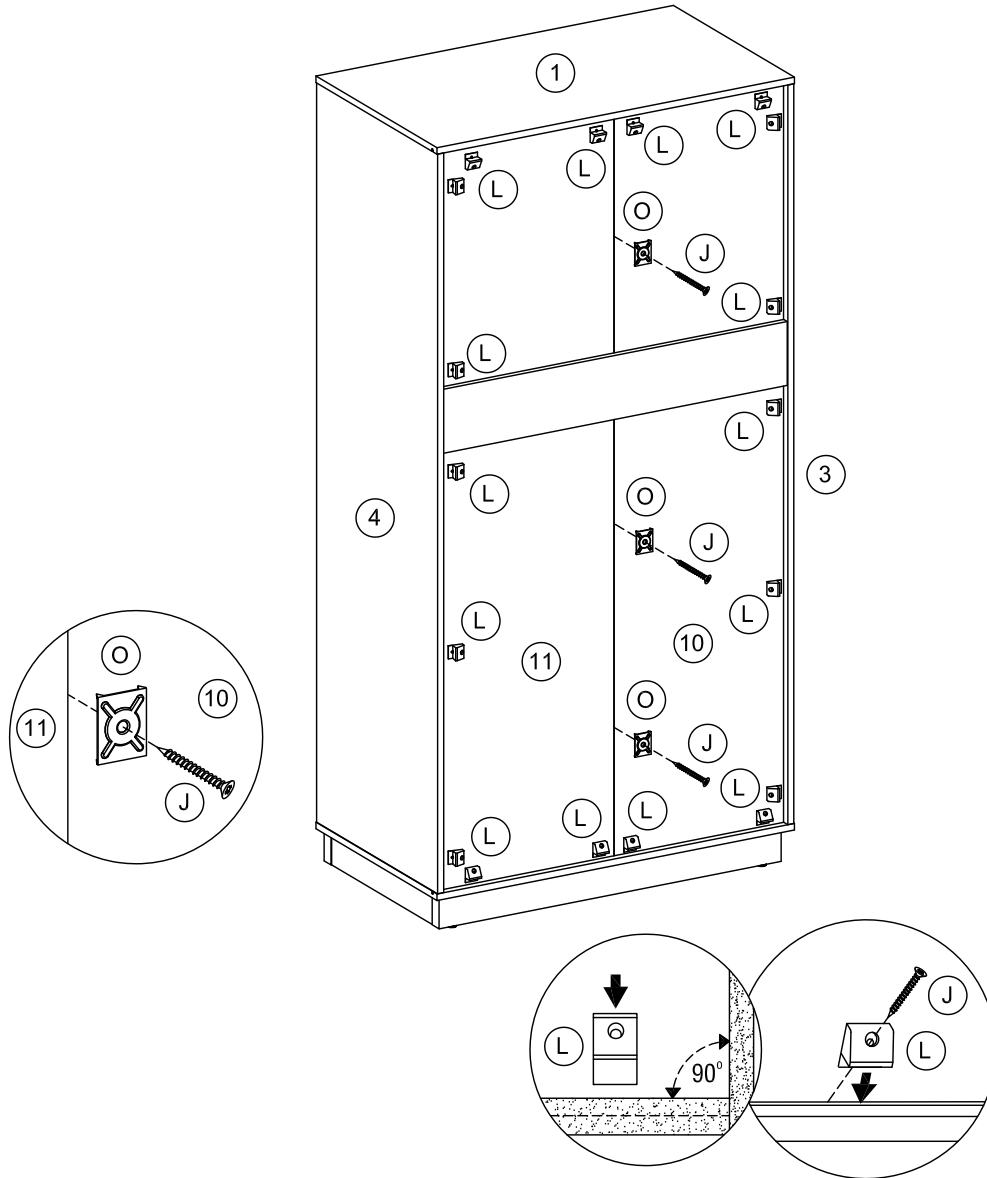
Insert left backboard (10) and right backboard (11) into case assembly.

Step 12:



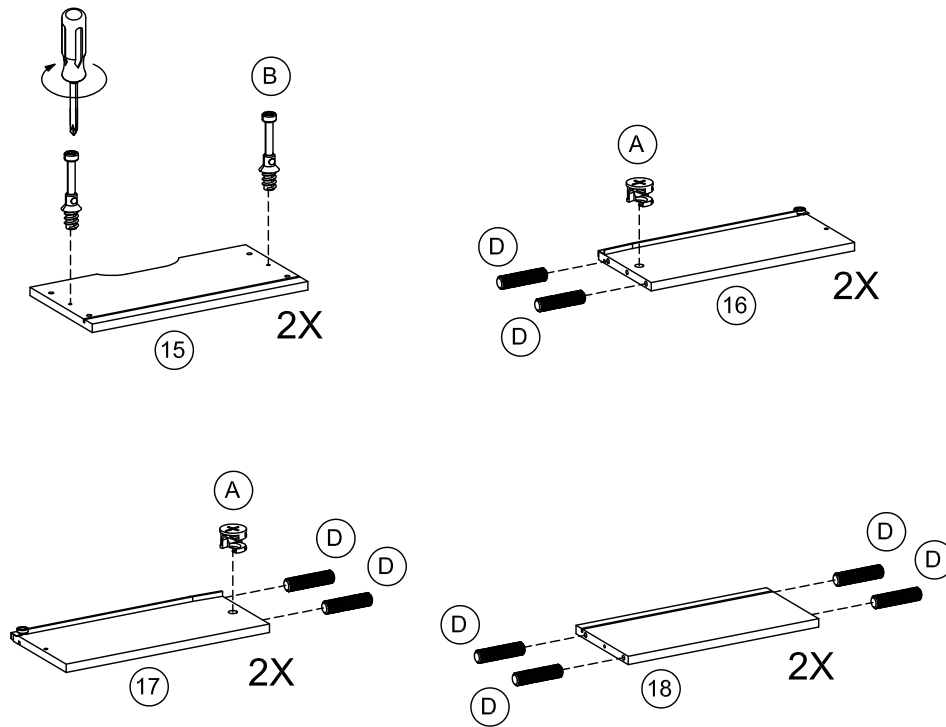
Attach top panel (1) to case assembly as shown.
Turn the cam-lock (A) clockwise to lock using screwdriver, then paste cam-sticker (C).

Step 13:



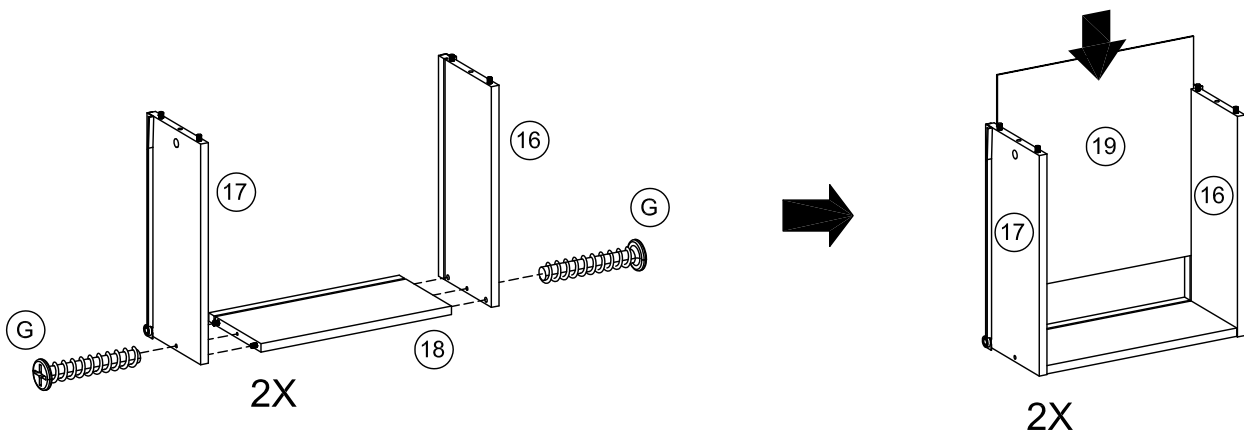
Attach backply stopper (L) to left backboard (10) and right backboard (11) using screws (J) as shown.
Attach rear panel clamp (O) on the middle between left backboard (10) and right backboard (11) using screws (J) as shown.

Step 14:



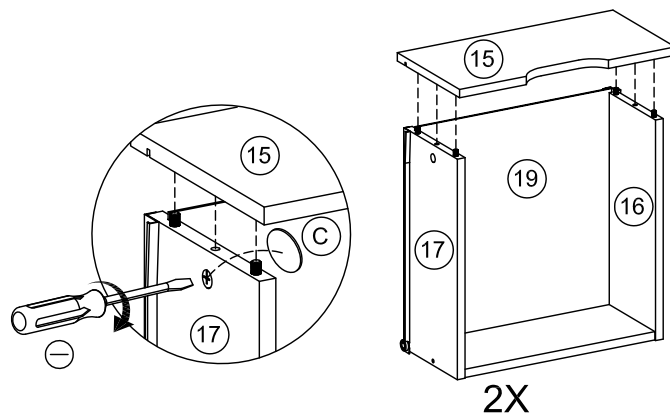
Attach cam-bolt (B) to front drawer (15) using screwdriver.
Insert cam-lock (A) into left drawer (16) and right drawer (17).
Insert dowel (D) into rear drawer (18), left drawer (16) and right drawer (17).

Step 15:



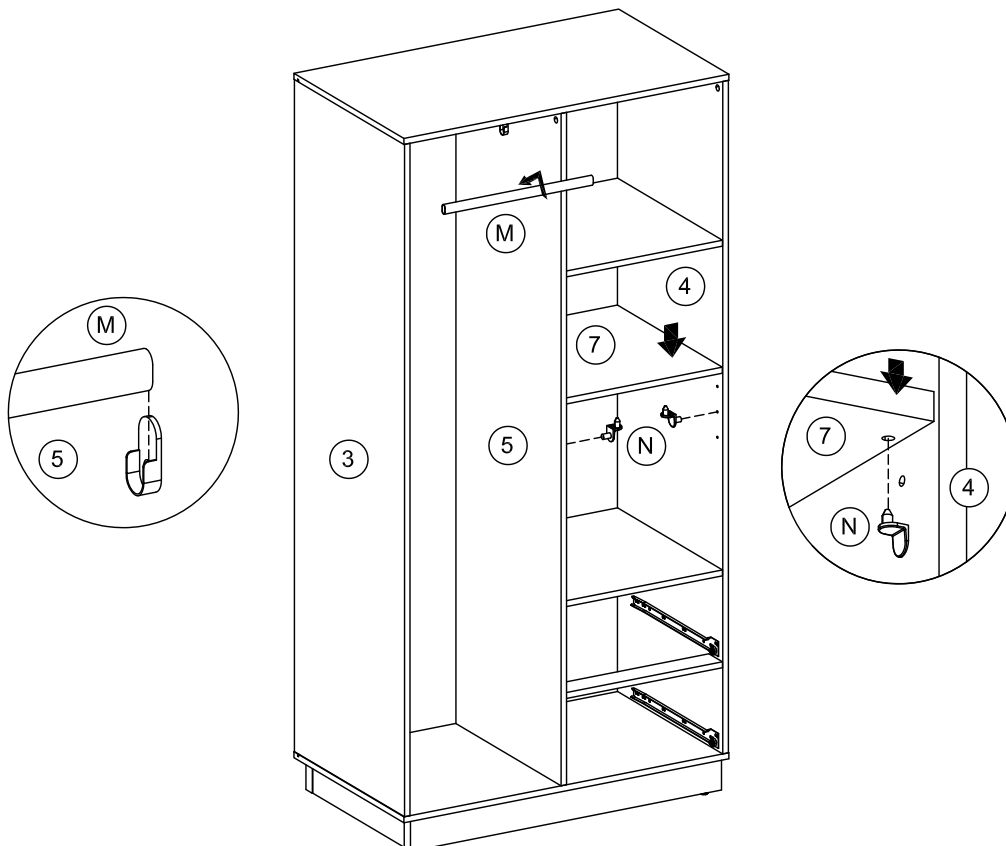
Attach left drawer (16) and right drawer (17) to rear drawer (18) using screws (G).
Insert bottom drawer (19) into assembly drawer as shown.

Step 16:



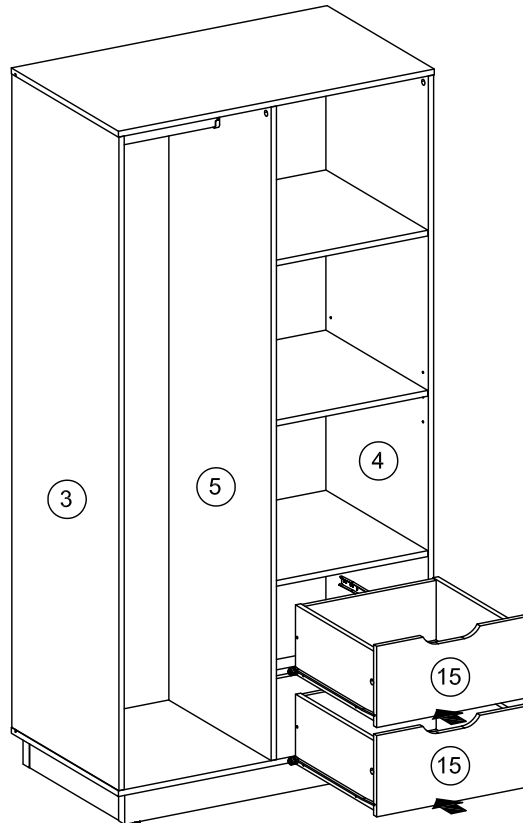
Attach front drawer (15) to assembly drawer.
Turn the cam-lock (A) clockwise to lock using screwdriver, then paste cam-sticker (C).

Step 17:



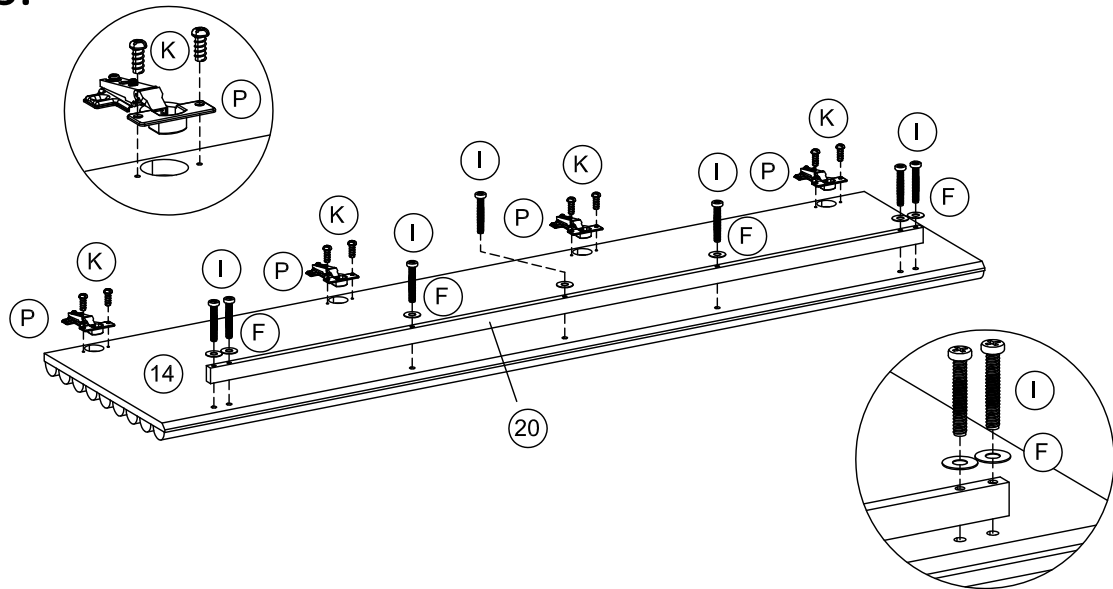
Attach metal pipe (M) to case assembly.
Insert shelf support (N) into case assembly as shown.
Insert adjustable shelf (7) into case assembly as shown.

Step 18:



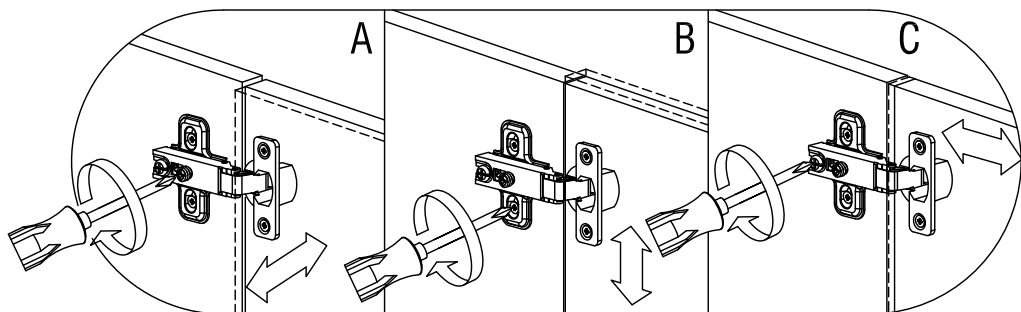
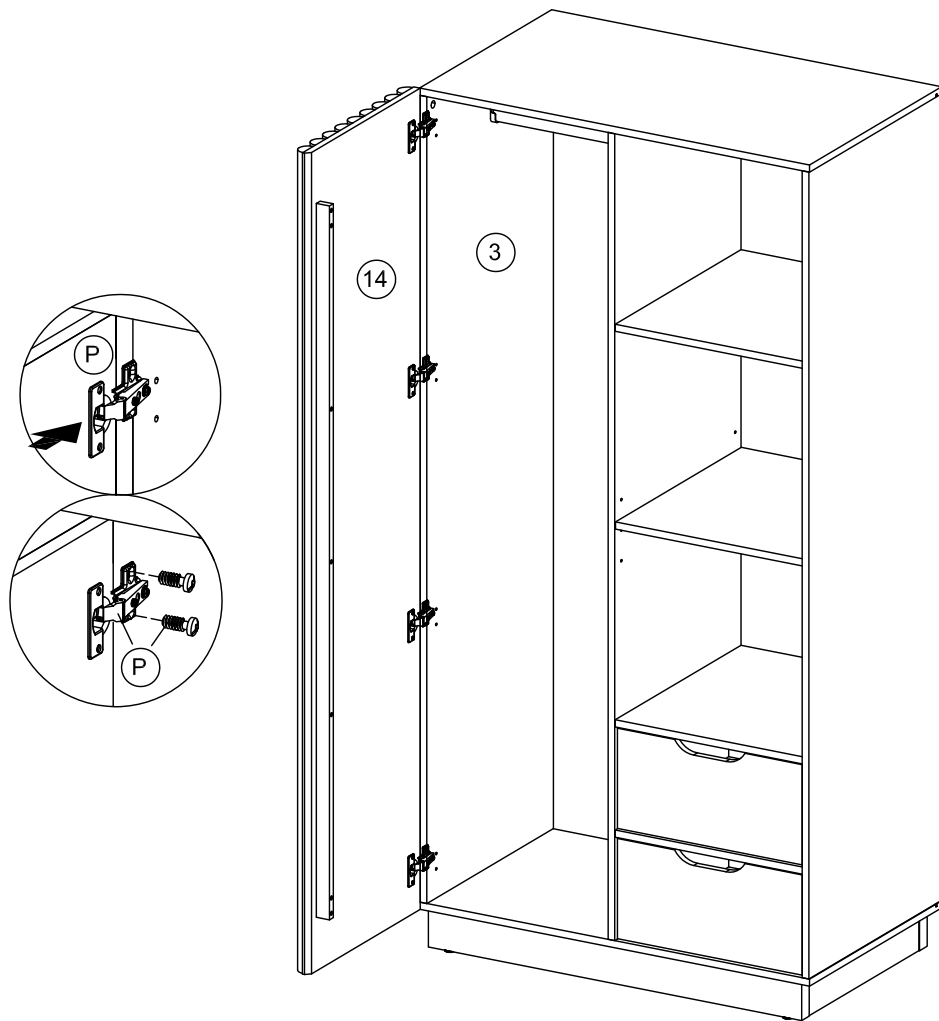
Insert drawers into case assembly as shown.

Step 19:



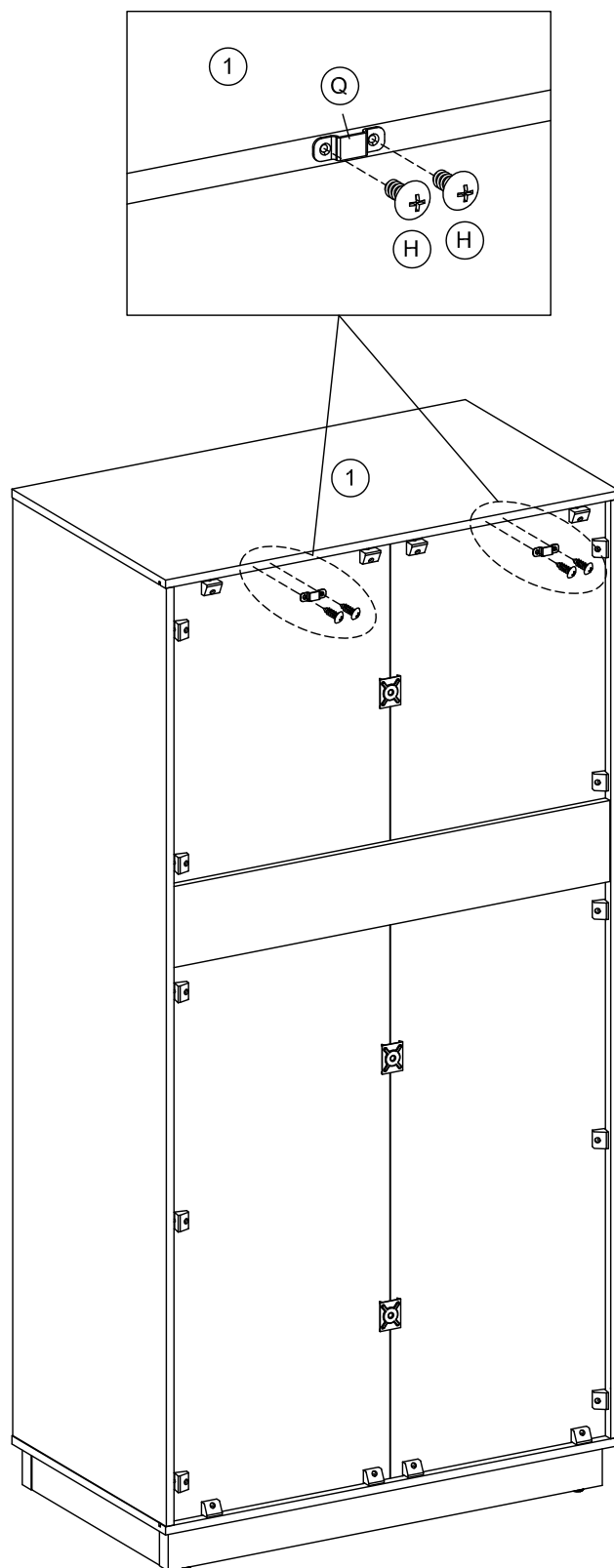
Attach metal support (20) to door (14) using screws (I) and washer (F).
Attach door hinge (P) to door (14) using screw (K).

Step 20:



Attach door to case assembly as shown.
Adjust the door hinge until fixed.

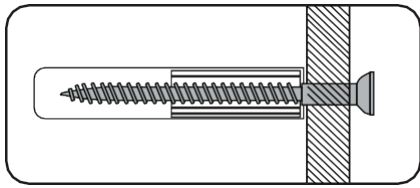
Step 21:



Attach cable tie mounts (Q) to case assembly using screws (H) as shown.

Wall Fixings

Step by step



Important

When drilling into walls always check there are no hidden wires or pipes etc. Make sure that the screws and wall plugs being used are suitable for supporting your unit. Consult a qualified tradesperson if you are unsure.

Hints

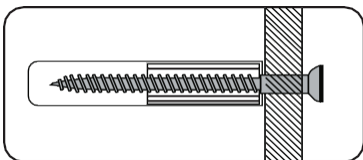
1. General Rule; Always use a larger screw and wall plug if you are not sure.
2. Ensure you use the recommended drill bit to match the wall plug and hole size.
3. Ensure you drill the hole horizontally, do not force the drill or enlarge the hole.
4. Take extra care when drilling high walls, ceilings and ceramic tiles. Ensure the plug is fitting below the ceramic tile to avoid splitting or cracking.
5. Ensure wall plugs are well fitted and are a tight fit in the drilled hole.

Types of Walls

You can use one of the following types of wall plug if your walls are made of brick, breeze block, concrete, stone, wood or plastic board.

1. STANDARD Wall Plug

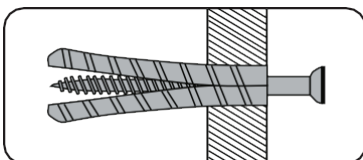
General wall materials



These come in various sizes and are made from plastic or sometimes wood fibre.

2. GENERAL PURPOSE Wall Plug

Aerated/Breeze block

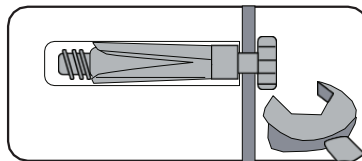


Generally aerated blocks should not be used to support heavy loads, use a specialist fitting in this case. For light loads, a General Purpose Plug can be used.

3. SHIELD ANCHOR

Wall Plug

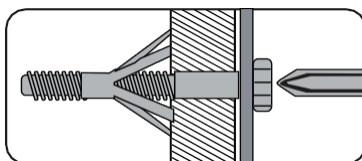
Heavy loads



For use with heavier loads such as TV & Hi-fi Speakers and Satellite Dishes etc.

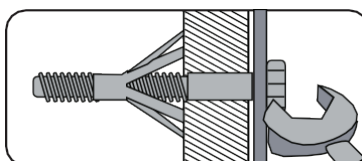
4. CAVITY FIXING

Wall Plug



For use with plaster board partitions or hollow wooden doors.

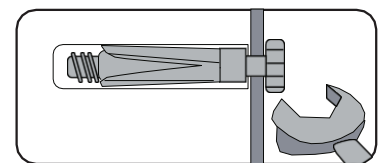
5. CAVITY FIXING HEAVY DUTY Wall Plug



For use with plaster board partitions or hollow wooden doors.

6. HAMMER FIXING

Wall Plug



For use with walls stuck with plaster board. The hammer fixing allows it to be fixed to the wall rather than the plaster board. Always check the fixing is secure to the retaining wall.

Care and Maintenance

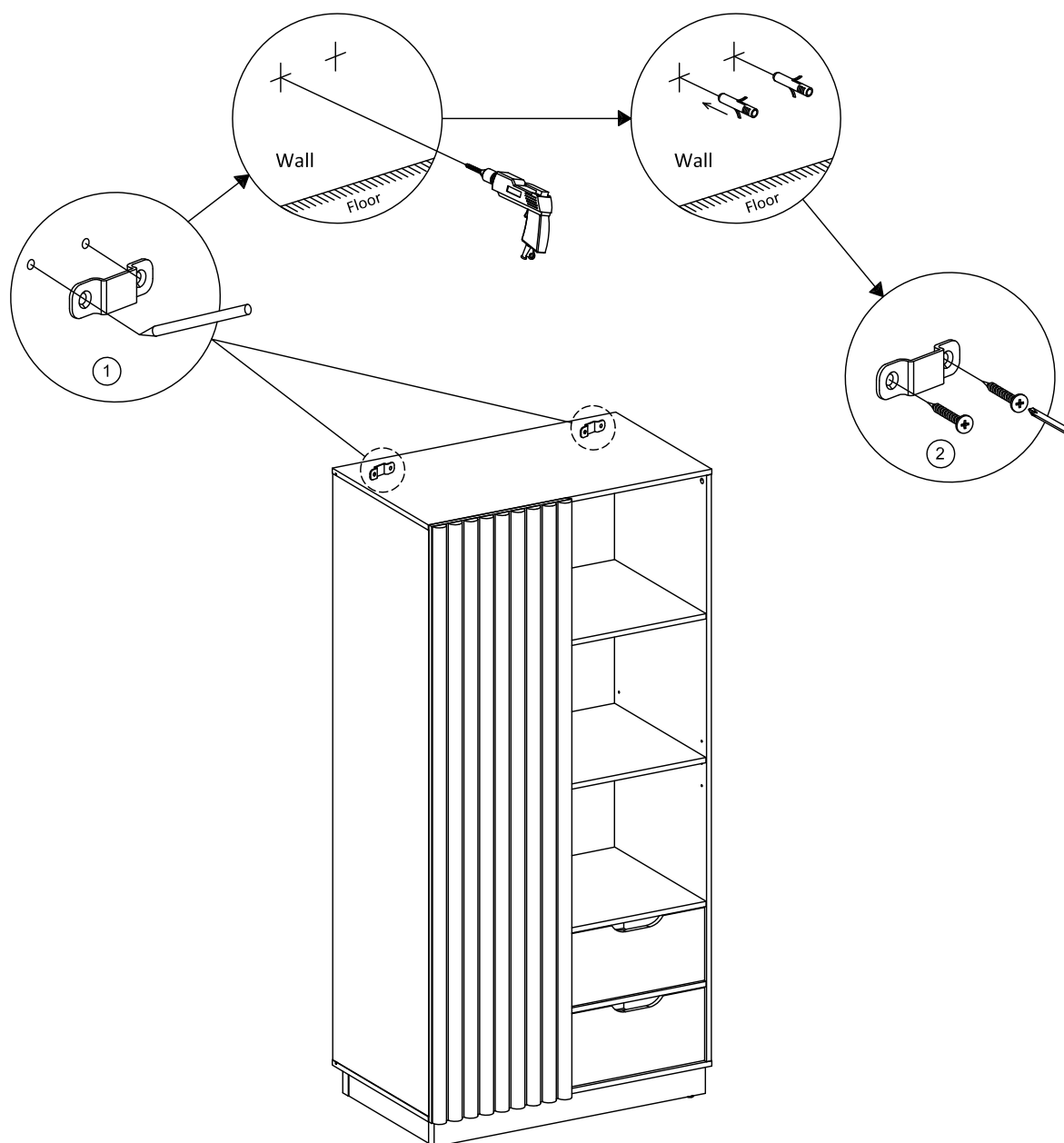
! Safety

Always check the fitting and location to ensure your safety in and around the home.

! Fitting

From time to time check the fitting to ensure the wall plugs or screws do not become loose.

Step 22:



PLEASE FULLY READ THE WALL FIXINGS ADVICE ON THE PREVIOUS PAGE BEFORE PROCEEDING WITH STEP

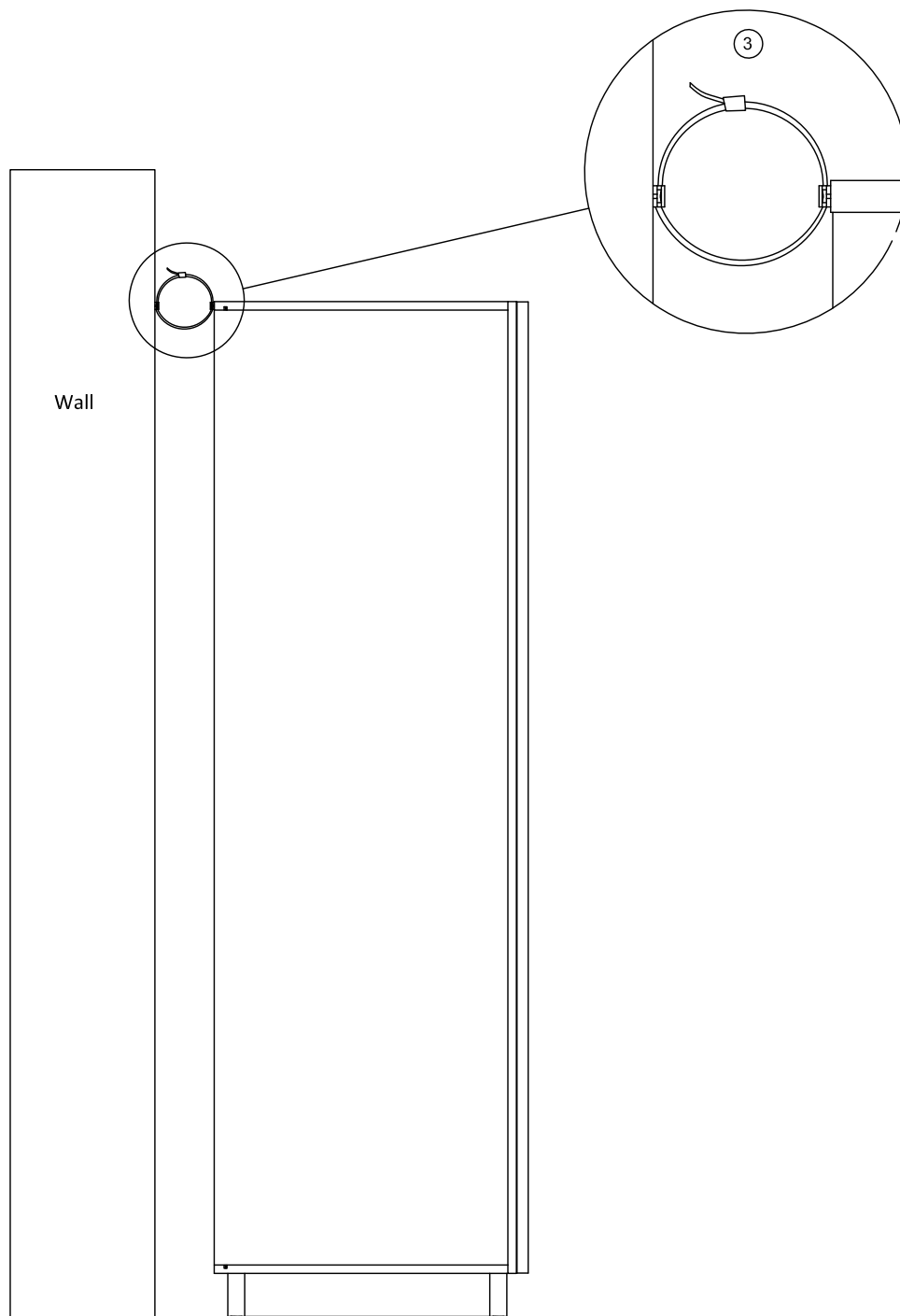
Move the cabinet into its location of intended use next to a wall.

Nest step is to attach x2 cable tie mounts (2) to the wall. Position a cable tie mount on the wall slightly below the mount already attached to the back of the cabinet (see image on step 23), and mark out the position of the fixing holes on the wall using a pencil. Repeat this process for the remaining cable tie mount.

Move the cabinet to one side and drill holes at the marked points using a drill bit type and size suited to the wall type and wall plug.

Fix the cable tie mounts to the wall using screws (not included) and wall plugs (not included) that are appropriate for your wall (see "wall Fixings" page for reference and advice).

Step 23:



Reposition the cabinet back in place so that the cable tie mounts are aligned. Feed the cable ties (3) through both cable tie mounts. Then push the cabinet against the wall and pull the cable ties.

Wall Fixings

- This wall fixing is provided for your safety and we recommend that once in position the unit is secured to the wall for extra stability.
- Wall fixings may vary depending on item of furniture purchased.
- Wall fittings are not provided as different wall types require different wall plugs and screws.
- Please ensure that you use fittings that are suitable for your wall type (see previous page for a general guide).
- Please ensure that the head of the screws used has a diameter greater than the diameter of the hole on the wall fixing and that the fixing is safe and secure before using.
- When drilling into the walls, always ensure there are no hidden wires or pipes.
- If you are unsure, we recommend you consult a qualified Trades person.

Care and Maintenance of your furniture

- Please periodically check all fittings and re-tighten as necessary.
- To clean your item, please use a damp cloth and wipe clean.
- Please do not drag or pull your furniture.
- Please do not place hot items (e.g. hot drinks) directly on to the wood surfaces.
- Never allow any kind of liquid to remain on your furniture. Absorption can cause wood to warp or finishes to de-laminate.