

# ASSEMBLY & PRODUCT CARE

2 MIRROR DOOR WARDROBE - 1112x606x1950

5055999237604

---

Thank you for purchasing this Wardrobe. Please read the instructions carefully before use to ensure safe and satisfactory operation of this product

---



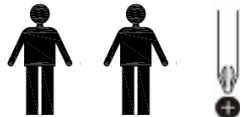
---

## Pre-assembly preparation

Please ensure instructions are read in full before attempting to assemble this product

---

### Necessary Tools



---

Please check the pack contents before attempting to assemble this product. A full checklist of components is given in this leaflet. If any components are missing, please contact the retailer from whom you bought this product.

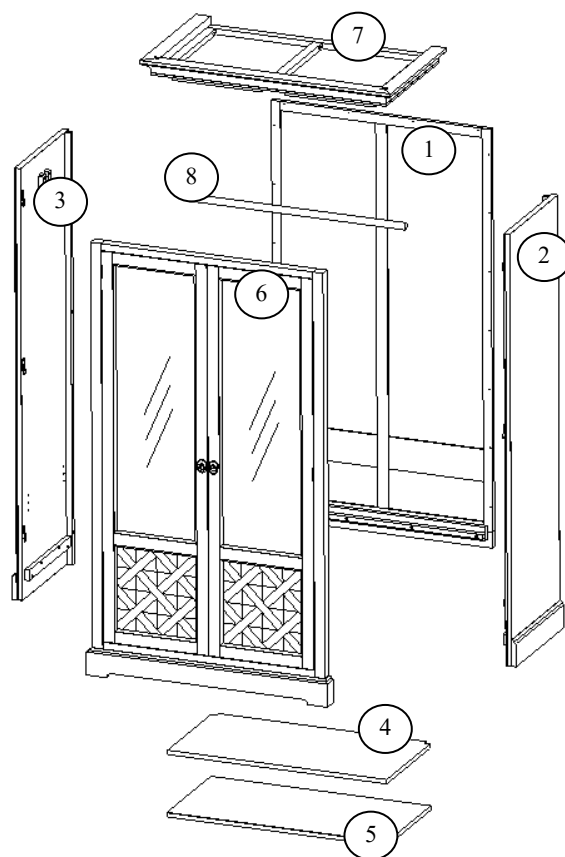
This product is **HEAVY**, it should be assembled as near as possible to the point of use. **TAKE CARE WHEN LIFTING** to avoid personal injury and (or) damage to the product. (Include if relevant)

This product takes approximately **30 MINUTES** to assemble with **2 PEOPLE**.

The fittings pack contains **SMALL ITEMS** which should be **KEPT AWAY FROM YOUNG CHILDREN**.

Read this leaflet in full before commencing assembly.

## Fittings and parts checklist



Item	Description	Qty	Item	Description	Qty
1	BACK PANEL	1	2	LEFT SIDE PANEL	1
3	RIGHT SIDE PANEL	1	4	SHELF	1
5	BASE SHELF	1	6	DOOR FRAME	1
7	TOP CROWN	1	8	HANGING RAIL	1
A	8 X 25 mm SCREW	18	C	SHELVE SUPPORTS	4
B	8 X 35 mm SCREW	8			

## Step by step assembly instructions

---

### Step One

Stand the front door panel and hold



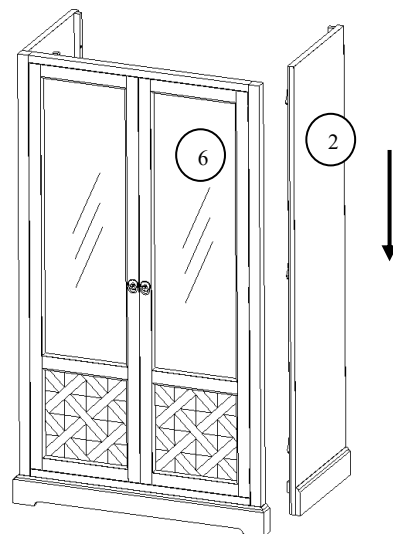
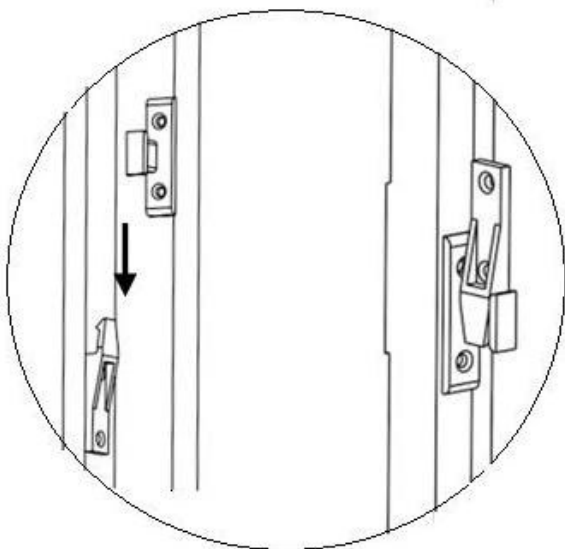
---

### Step Two

Bring the side panel up to the front door frame at a 90 degree angle and slightly risen.

Align plastic fittings.

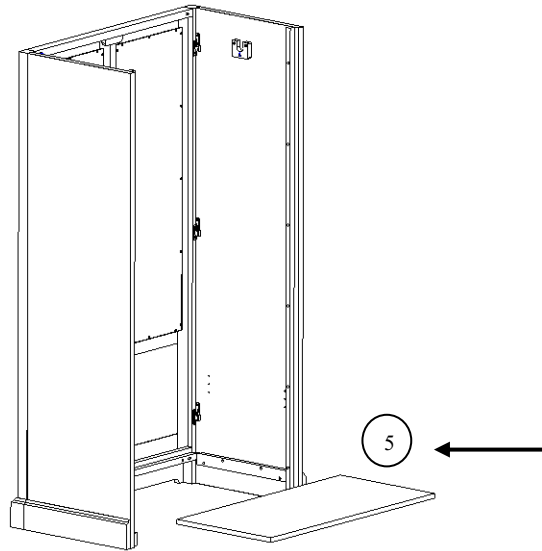
Bring side panel down, slotting the plastic clips together.



---

## Step Three

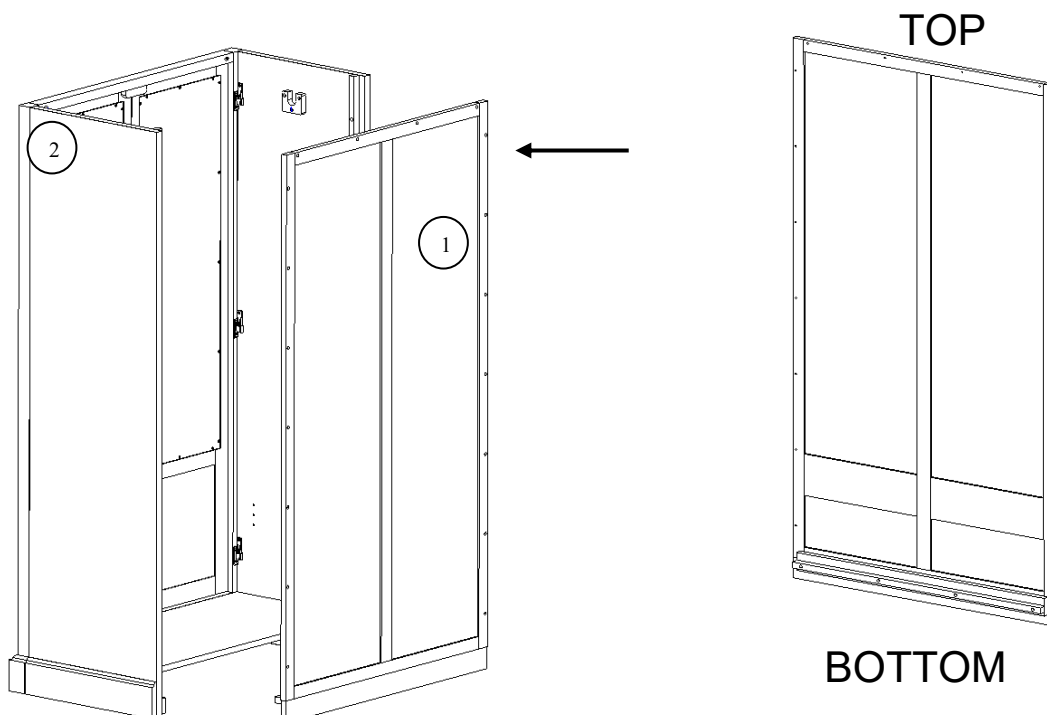
From the rear of the robe, slot in the bottom shelves to the inside of the side panels.



---

## Step Four

Install the back panel with screws 25mm length (A) provided. Insert the back panel by ensuring the panel is level at the top, by supporting at bottom until fixed

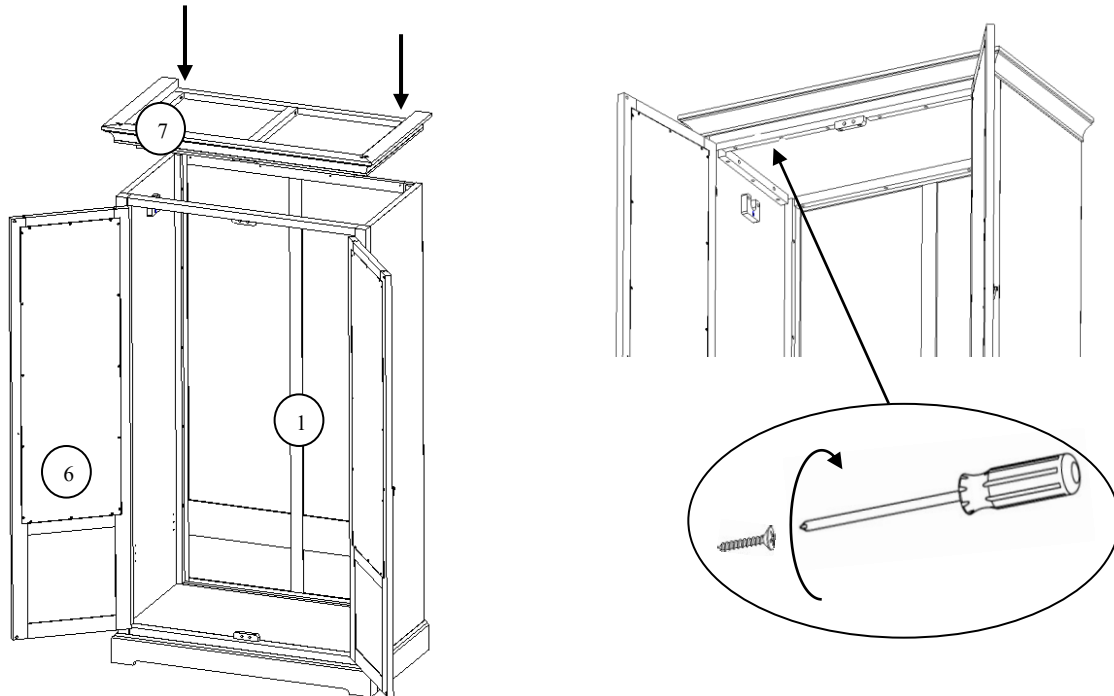


---

## Step Five

Fit Top Crown (7) to main carcass using a screwdriver with screw 35mm length (B) provided.

The back of the crown should be flush with the back of the side panels



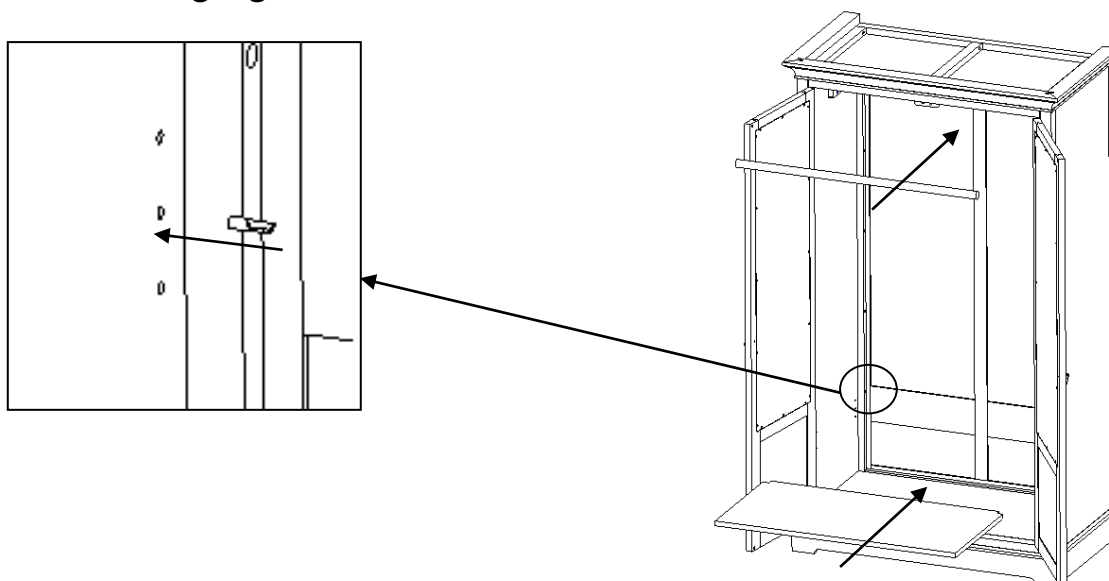
---

## Step Six

Place the shelf supports into the holes provided at the same level on side panel

Place the adjustable shelf upon the shelf support

Place the hanging rail, onto the brackets attached



---

## FINISH



---

## Safety Instructions :

Never drag furniture when moving it, always lift it.

Periodically check all fixings to ensure none have come loose and re-tighten where necessary.

Please take care when handling or moving the furniture as careless handling may cause damage or injury.

Furniture can be dangerous if incorrectly installed. Assembly should be carried out by a competent person. No liability will be accepted for damage or injury caused by incorrectly installed or assembled furniture.

It is recommended that before moving heavy objects to a new location they are completely dis-assembled to avoid personal injury or damage to the furniture.

Please be careful to retain all fittings when doing this.

**PLEASE KEEP THESE INSTRUCTIONS FOR FUTURE REFERENCE**

---

## Care and Maintenance

---

WHEN CARED FOR PROPERLY, THIS HAND CRAFTED FURNITURE WILL PROVIDE YOU WITH YEARS OF ENJOYMENT IN YOUR HOME.

### **How to care for Painted Wood furniture**

Never use sharp items on the surface of the product. For example knives and utensils may damage the product. It is also advisable to place a mat under paper when writing.

Hand painted brush stroke finish's will hold up to everyday wear and tear quite nicely. However, it is important to remember that your piece is still a wood piece of furniture and should be cared for as such.

Painted furniture still requires regular dusting with a damp cloth. When very soiled wash with a solution of mild, non-abrasive detergent and warm water. Wring a cloth nearly dry and work on a small section at a time, then rinse with clear water drying after..

Never leave water to settle on the surface as this will cause damage. Any liquid spilled onto the item should be cleaned up immediately using an absorbent cloth.

AVOID chemical cleaners or liquid furniture polish including direct contact with greasy substances.

As with all natural wood products, there will be some movement within the parts as the furniture acclimatises to its surroundings, you may see slight chipping and cracks where panels meet, this is a completely natural occurrence with ALL painted products using natural solid timbers.

Painted surfaces can be carefully touched up with matching paint.

There will be various brush lines, slubs, and little inconsistencies in the painted finish, this is all part of the relaxed handfinished look and feel of hand painted collections.

### **How to care for Glass furniture**

Never use sharp items on the surface of the product. For example knives and utensils may damage the product. It is also advisable to place a mat under paper when writing.

If the product component is chipped or broken, please consult the manufacturer, retailer or agent with regard to obtaining a manufacturing specification and shape for replacement glass quoting the model number and batch number.

Do not use the glass as a chopping surface. Do not strike the glass with hard or pointed objects.

Do not sit or stand on horizontal glass surfaces.

Do not place very hot or very cold items against or in close proximity to glass surface(s).

The surface should be protected with coasters, trivets or placemats.

All spills should be blotted up immediately. Do not wipe the spill or this may spread it. Clean the surface with a clean soft cloth (non-abrasive) and mild detergent or stone soap.

WHEN CARED FOR PROPERLY, THIS HAND CRAFTED FURNITURE WILL PROVIDE YOU WITH YEARS OF ENJOYMENT IN YOUR HOME.

**PLEASE KEEP THESE INSTRUCTIONS FOR FUTURE REFERENCE**