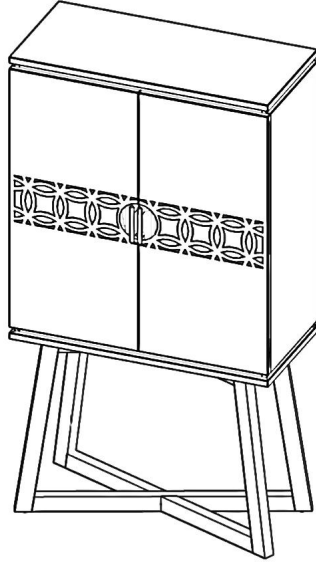


# BOHO COCKTAIL CABINET

---

Thank you for purchasing this cabinet. Please read the instructions carefully before use to ensure safe and satisfactory operation of this product

---

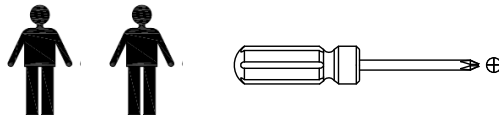


## Pre-assembly preparation

Please ensure instructions are read in full before attempting to assemble this product

---

## Necessary Tools



Please check the pack contents before attempting to assemble this product. A full checklist of components is given in this leaflet. If any components are missing, please contact the retailer from whom you bought this product.

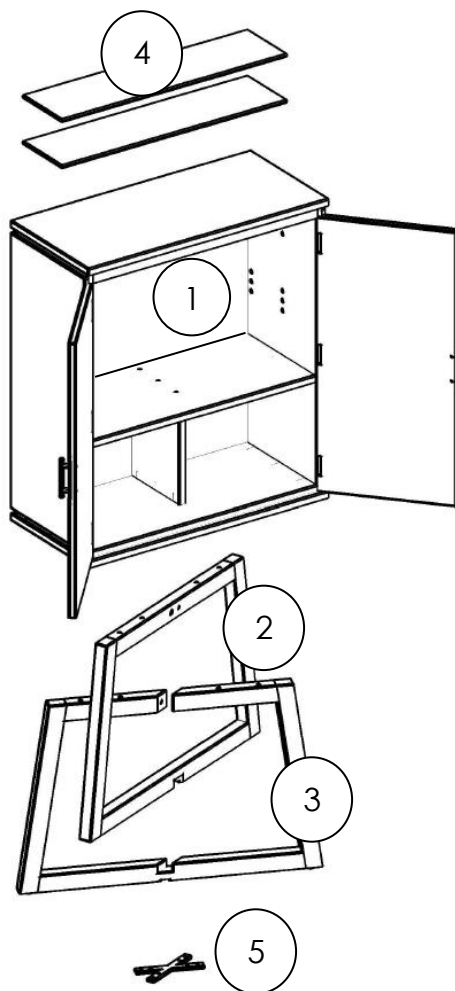
This product is **HEAVY**, it should be assembled as near as possible to the point of use. **TAKE CARE WHEN LIFTING** to avoid personal injury and (or) damage to the product. (Include if relevant)

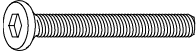



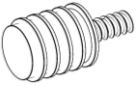
This product takes approximately **45 MINUTES** to assemble with **2 PEOPLE**.

The fittings pack contains **SMALL ITEMS** which should be **KEPT AWAY FROM YOUNG CHILDREN**.

Read this leaflet in full before commencing assembly.

## Fittings and parts checklist



Item	Description	Qty	Item	Description	Qty	Item	Description	Qty
1	Cabinet assembly	1	2	Side leg A	1	3	Side leg B	1
4	Shelf	2	5	Support bracket	1			
A	Large bolt 	8	B	Allen key 	1	C	Screw 	8
D	Small bolt 	2	E	Shelf pegs 	8			

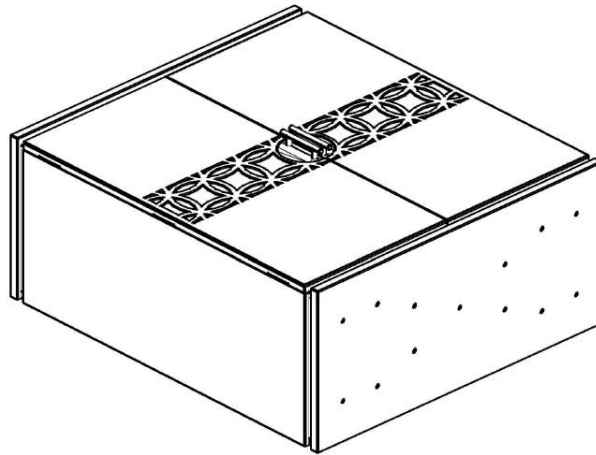
---

## Step by step assembly instructions

---

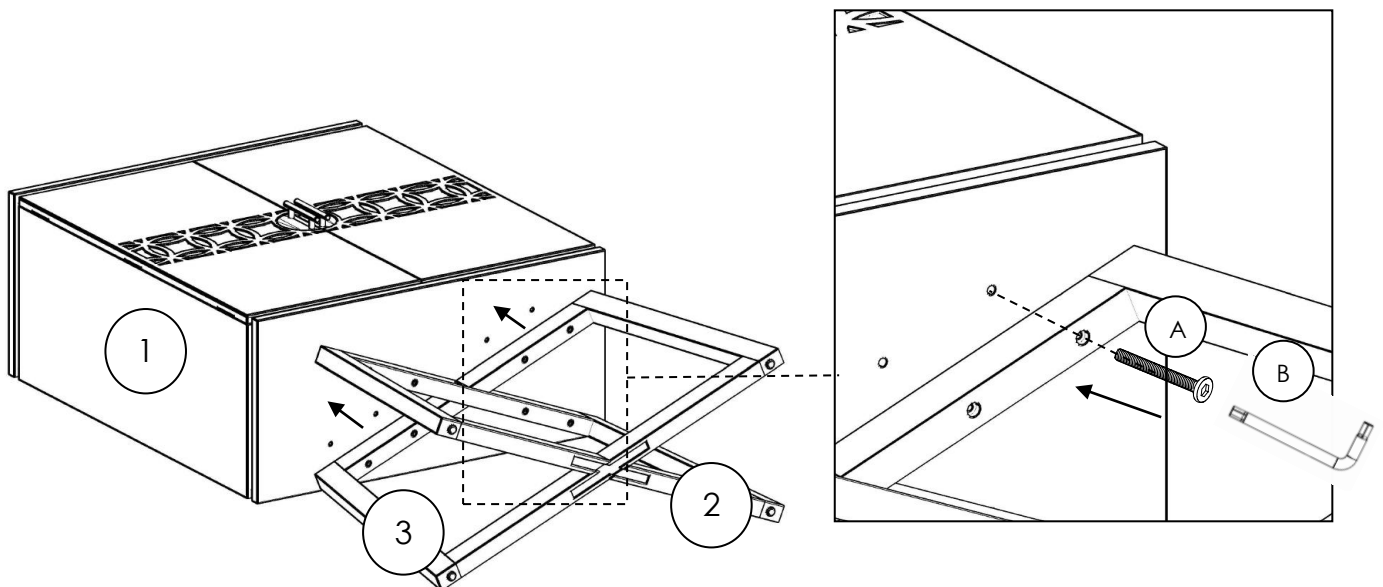
### Step one

Lay cabinet assembly (1) down on a clean carpet or blanket to avoid damage to the surface.



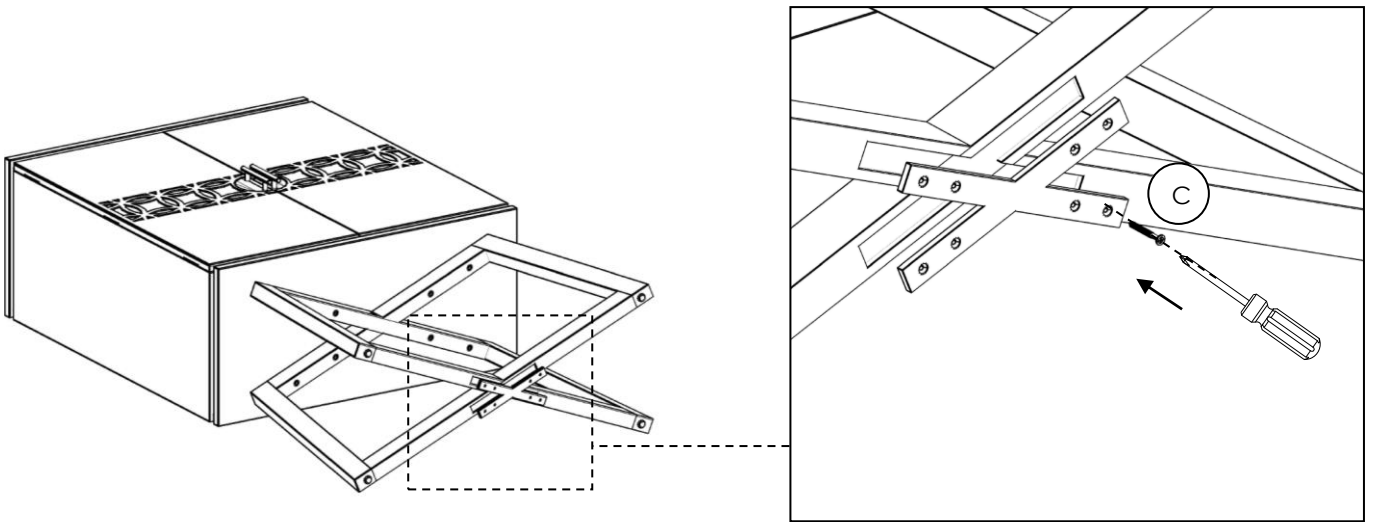
### Step two

Attach side leg A (2) and side leg B (3) to cabinet assembly (1) by inserting all 8x bolt (A) into the hole provided on the cabinet assembly (1), tighten using Allen key (B)



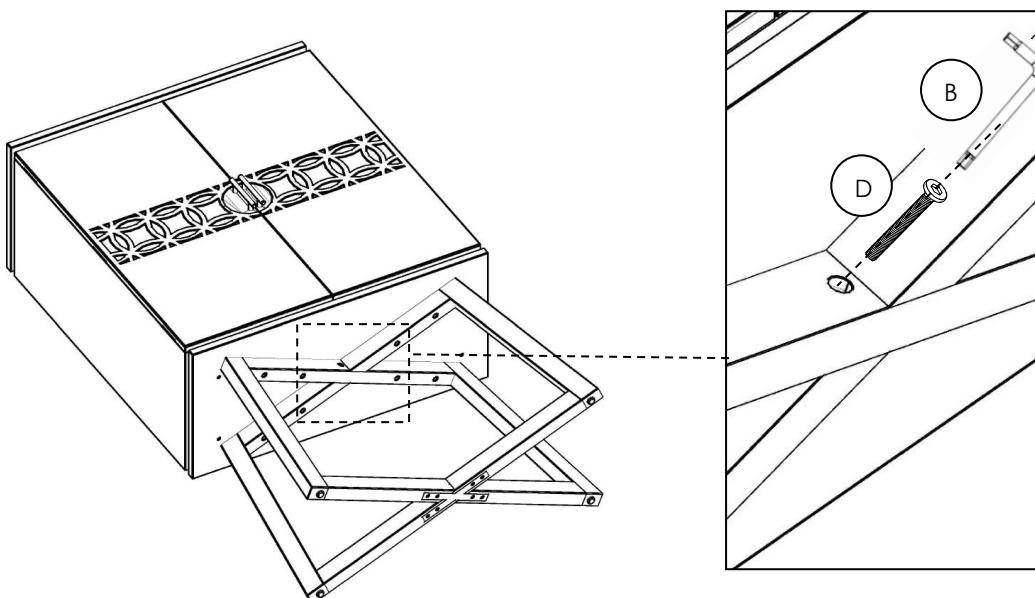
### Step three

Attach support bracket (5) using 8x screws (C) onto middle of leg assembly into the holes provided. Tighten using screwdriver as shown below.



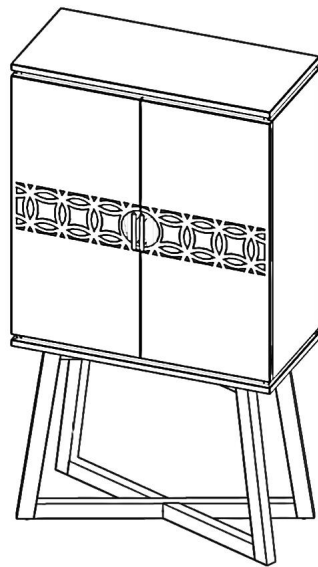
### Step four

Insert 2x bolt (D) into the hole provided on the side leg. Tighten using allen key (B).



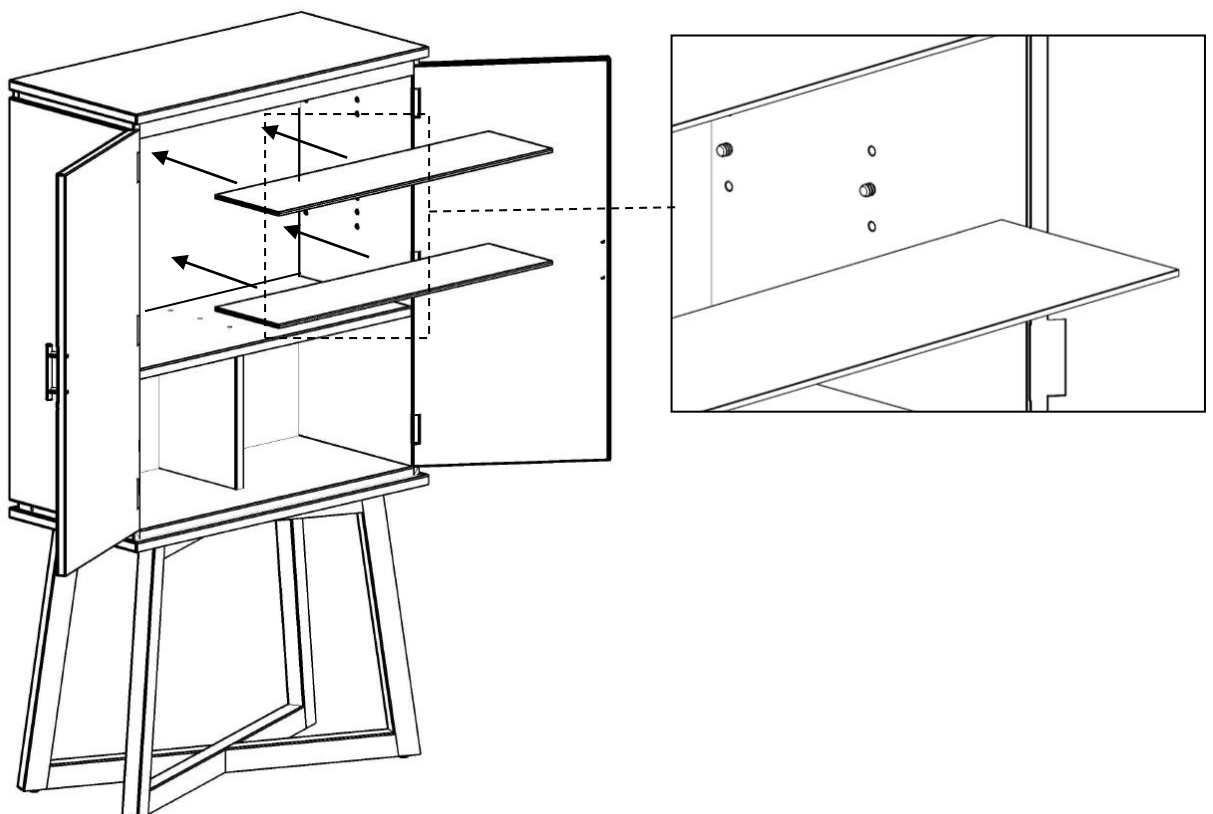
## Step five

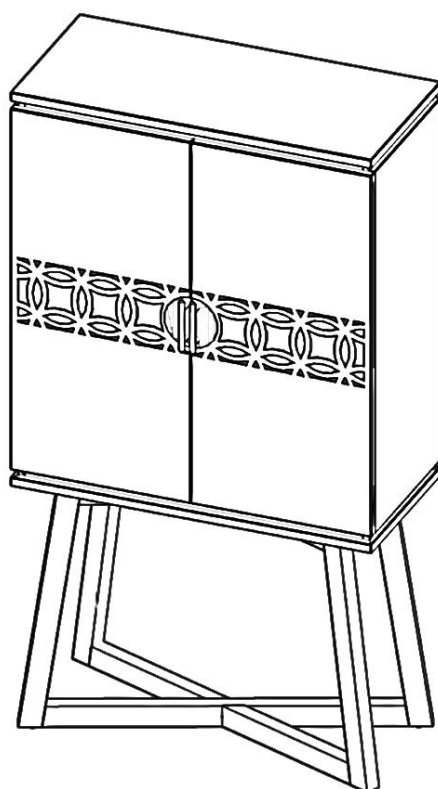
Carefully lift furniture and turn upright onto legs



## Step six

Attach 8 x shelf pegs (E) inside the Cabinet Assembly (1) at an equal level. There is a choice of 3 levels. Gently lower shelves (4) down onto the assembled shelf pegs (E).





FINISH

---

## **Safety Instructions**

---

Never drag furniture when moving it, always lift it.

Periodically check all fixings to ensure none have come loose and re-tighten where necessary.

Please take care when handling or moving the furniture as careless handling may cause damage or injury.

Furniture can be dangerous if incorrectly installed. Assembly should be carried out by a competent person. No liability will be accepted for damage or injury caused by incorrectly installed or assembled furniture.

It is recommended that before moving heavy objects to a new location they are completely dis-assembled to avoid personal injury or damage to the furniture. Please be careful to retain all fittings when doing this.

**PLEASE KEEP THESE INSTRUCTIONS FOR FUTURE REFERENCE**