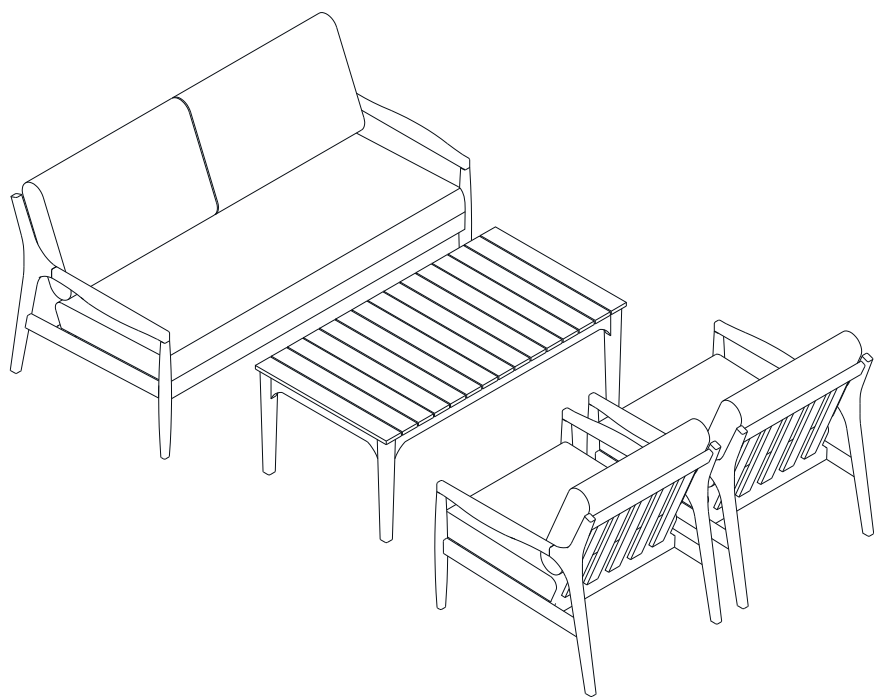


USER GUIDE



18-F-627

INTRODUCTION








These instructions are provided for your safety. Please read them carefully before commencing.

IMPORTANT SAFETY INFORMATION

- Due to small parts keep children clear during assembly.
- Carefully layout all the parts on a clean, flat surface and compare with the parts checklist.
- Please retain all packaging until you are sure no parts are missing, then once you are satisfied with the product please dispose of all packaging responsibly.

- During assembly take care not to overtighten the bolts.
- When positioning your furniture ensure the ground is firm, level and dry.
- Take care when handling or moving furniture. Always lift with assistance to avoid damaging your product and maintain personal safety.
- Do not stand, jump or climb on the seat.
- Do not sit, stand or climb on the table.
- Ensure all fittings are fully tightened before use and checked regularly and re-tightened as necessary.

FIXINGS LIST

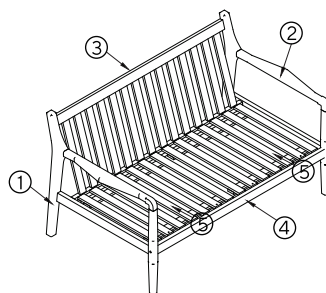
Piece	Description	Illustration	Quantity
A	M6x80		x12
B	M6x60		x14
C	M4x25		x16
D	M6x13		x18
E	M6 Washer		x8
F	Allen Key		x1
G	M6x 40		x1

PARTS LIST

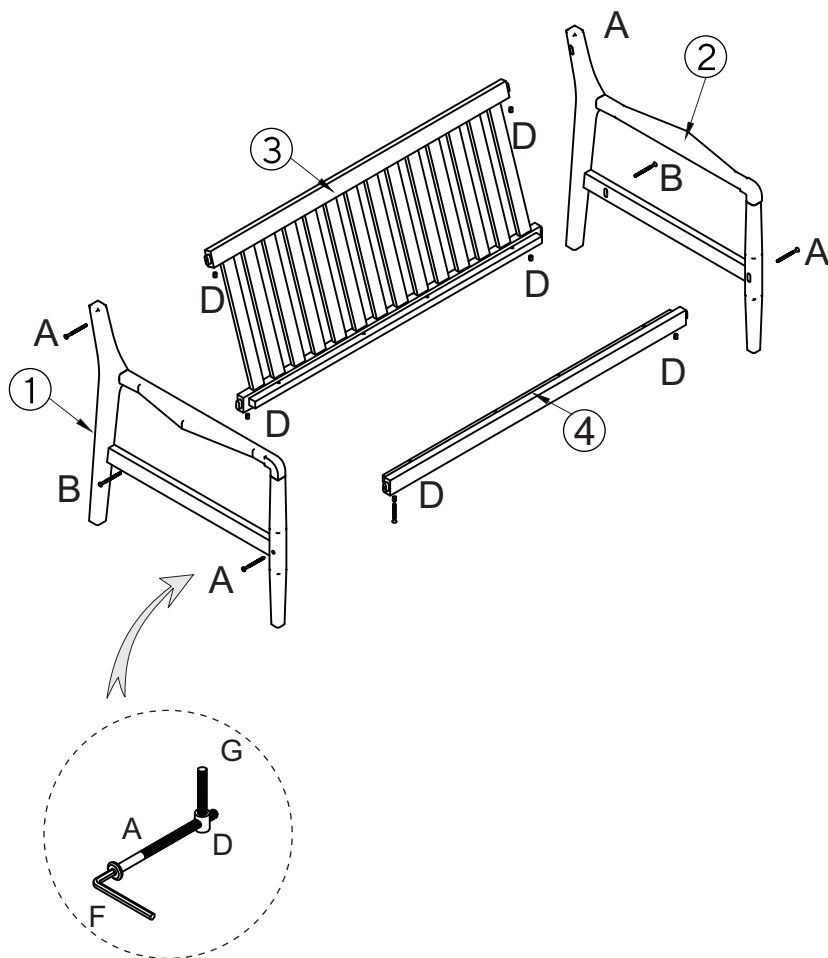
Numbered parts can be found in the following numbered boxes.

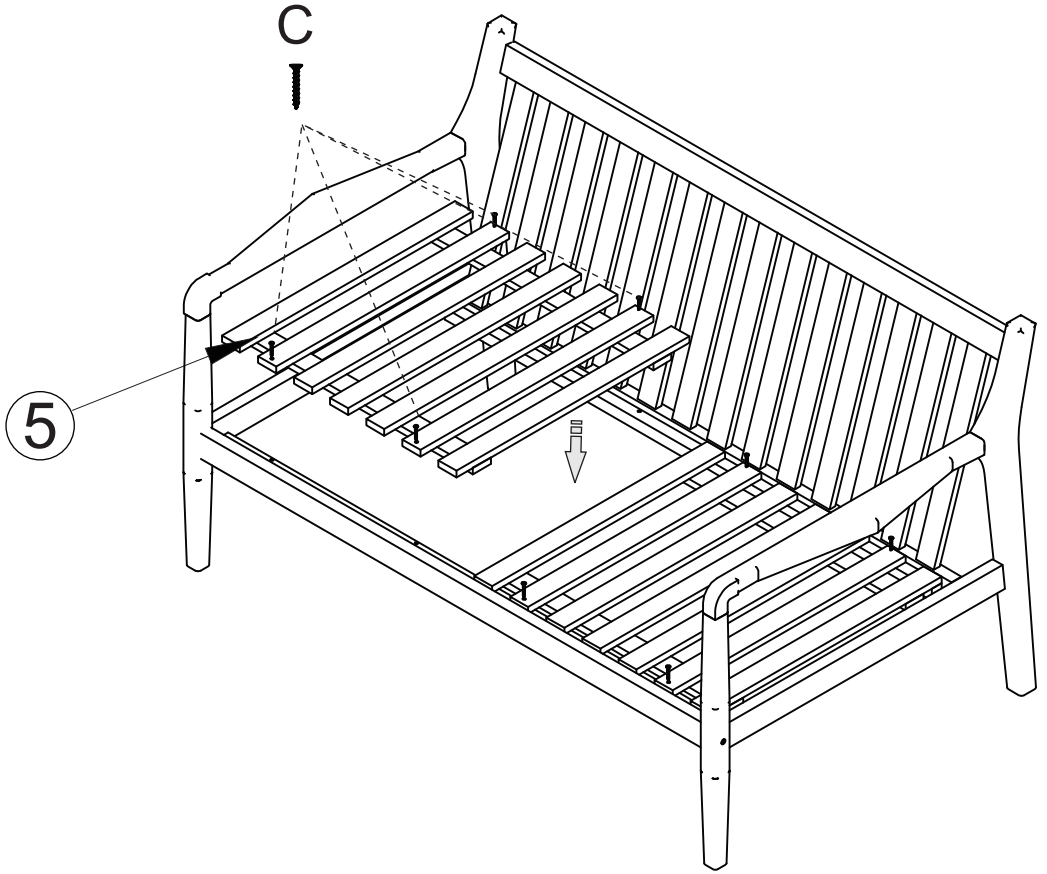
BOX 2

- FIXING PACK
- PART 1
- PART 2
- PART 3
- PART 4
- PART 5



ASSEMBLY INSTRUCTIONS - STEP 1



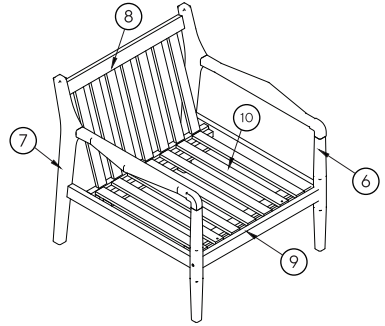


PARTS LIST

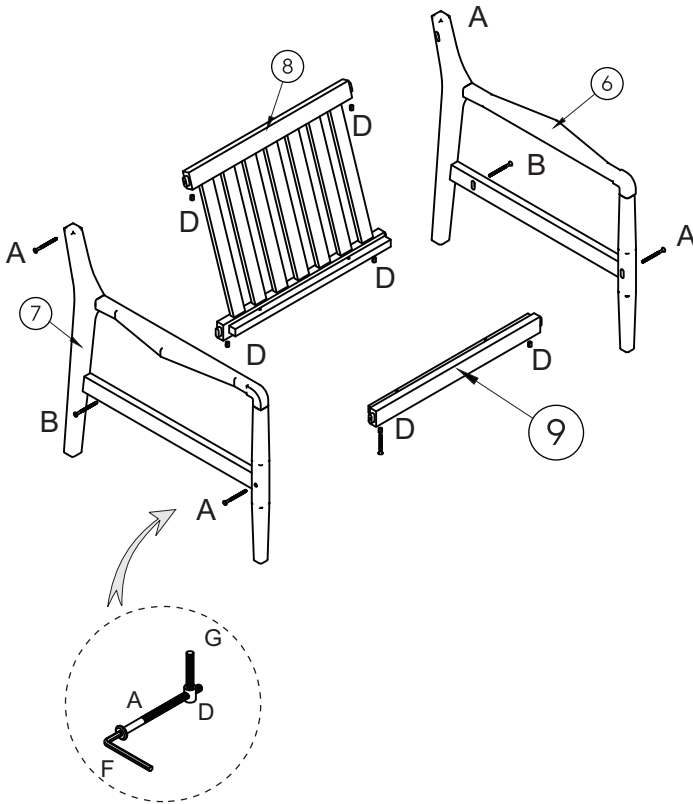
Numbered parts can be found in the following numbered boxes.

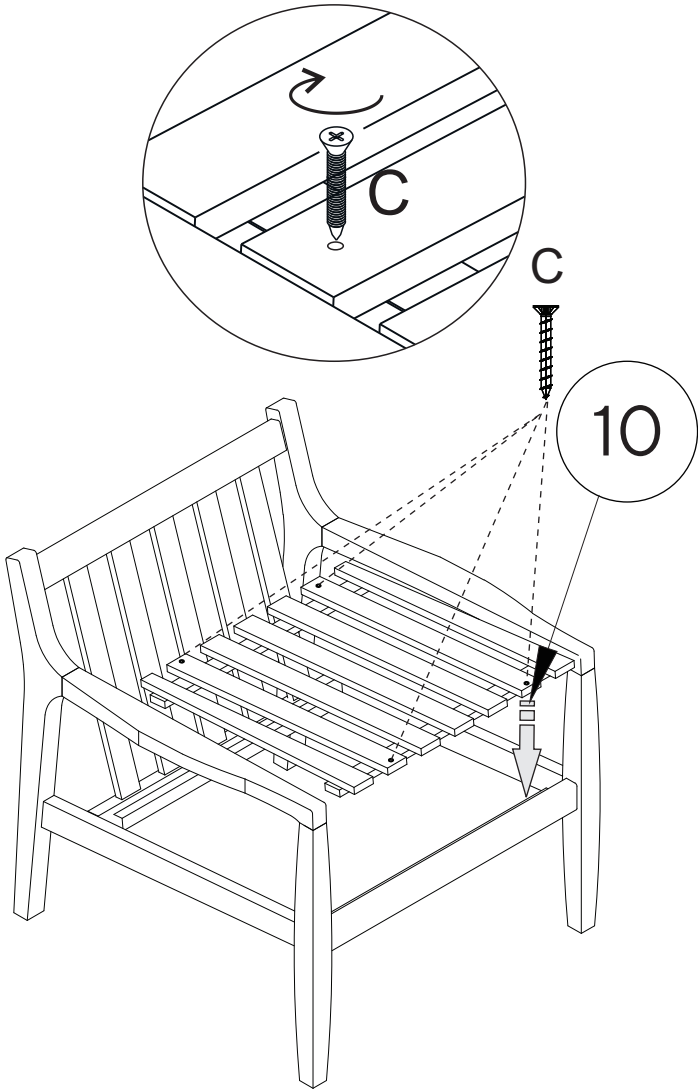
BOX 1

- FIXING PACK
- PART 6
- PART 7
- PART 8
- PART 9
- PART 10



ASSEMBLY INSTRUCTIONS - STEP 3





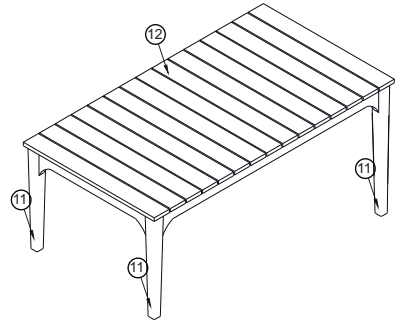
Repeat assembly for the other chair

PARTS LIST

Numbered parts can be found in the following numbered boxes.

BOX 3

- FIXING PACK
- PART 11
- PART 12



ASSEMBLY INSTRUCTIONS - STEP 5

