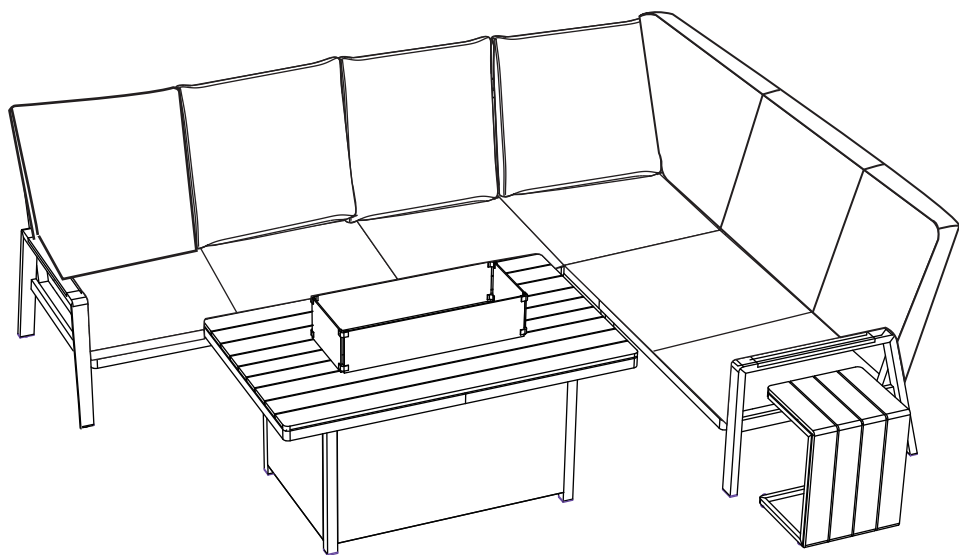


USER GUIDE



Item No: 18-361-ANT-FP/18-361-LIM-FP

INTRODUCTION

These instructions are provided for your safety. Please read them carefully before commencing.

IMPORTANT SAFETY INFORMATION

- Due to small parts keep children clear during assembly.
- Carefully layout all the parts on a clean, flat surface and compare with the parts checklist.
- Please retain all packaging until you are sure no parts are missing, then once you are satisfied with the product please dispose of all packaging responsibly.

- During assembly take care not to overtighten the bolts.
- When positioning your furniture ensure the ground is firm, level and dry.
- Take care when handling or moving furniture. Always lift with assistance to avoid damaging your product and maintain personal safety.
- Do not stand, jump or climb on the seat.
- Do not sit, stand or climb on the table.
- Ensure all fittings are fully tightened before use and checked regularly and re-tightened as necessary.

ATTENTION:

1. Read these installation and operating instructions carefully before installing and using the appliance.
2. The operating and installation instructions must be kept with the appliance. If the fire table is sold to a third party, these documents must be supplied.
3. In case of improper use or failure to follow the safety instructions, each liability will be rejected and the warranty does not apply.
4. For assistance or additional information consult a qualified technician, the help desk of the store where you purchased your Fire Pit Table.



WARNING:

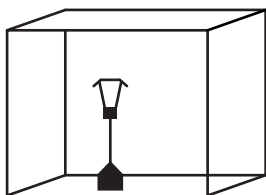
- Keep young children at a safe distance. Accessible parts may become very hot!
- The Fire Pit Table may only be used outdoors.
- The usage of the appliance and the storage of the gas cylinder must be in accordance with the regulations in force.

IMPORTANT SAFETY INSTRUCTIONS







While using the Fire Pit Table these safety instructions should always be followed to reduce the risk of fire other damage to people and property. Read these safety instructions carefully before the Fire Pit Table is put into operation.

1. *The Fire Pit Table should always be installed correctly and in accordance with the supplied installation instructions. The Fire Pit Table must be placed in a straight position on a hard, stable surface.*
2. *Only use the type of gas and the type of cylinder specified in these instructions.*
3. *The device must be placed far away from flammable materials (min. 2 metres) and the area around the appliance must be clear of combustible materials and/or liquids.*
4. *Before using the Fire Pit Table, check whether all connections to the gas bottle are fitted securely. Also ensure that the regulator seal is fitted correctly and able to fulfil its function. If the connections are not connected securely, make sure everything is fixed and tied before use. Make sure that the gas is turned off while fixing.*
5. *Change the gas cylinder in an amply ventilated area, away from any ignition sources (candle, cigarettes and other flame producing appliances).*
6. *Every time the gas connection is re-connected, or at least once per month, the gas connection and the hose must be checked for leaks. The hose or the flexible hose must be changed within the prescribed intervals. See installation instructions No. 5.*

7. *The hose must never make contact with the hot surface of the burner.*
8. *The hose should comply with the EN 16436-1: 2014+A3: 2020, and the length should not more than 1.5m. The house will be connected to the supplied gas pressure regulator. Do not connect the gas bottle directly to the appliance without regulator.*
9. *The pressure regulator is set for 37mbar, and the regulator outlet pressure is 37mbar. The gas regulator has to be set according to the specific gas category (see data figure). The regulator should comply with EN 16129 standard.*
10. *Never change the air valve settings of the burner. If the air vents of the fire rings are obstructed, immediately contact a technical gas specialist for help.*
11. *In the event of gas leakage, the appliance may not be used. If it's already in operation, the gas supply must be shut off and the appliance shall be investigated and rectified before it is used again.*
12. *Never obstruct the free flow of air and oxygen to the device. Never change anything to the technical gas system of this unit. Any change to the system can be dangerous and will void any warranty on the device. To not obstruct the ventilation holes of the cylinder housing.*
13. *The injector in this appliance may not be removed and the injector can only be installed by the manufacturer.*
14. *This appliance is not allowed to switch from one amount of gas pressure to another amount of gas pressure.*
15. *Keep children and pets at a safe distance from the unit. The Fire Pit Table has components that become very hot when in use. Wait until the appliance has cooled down sufficiently before allowing children and pets to come within the vicinity of the device. Our recommendation is to wait at least 1.5 hours.*
16. *Never move the Fire Pit Table if the device is turned on. Wait at least 1.5 hours after the device has been turned off before moving it. Shut the valve of the gas cylinder or the regulator before moving the appliance.*
17. *Never leave the Fire Pit Table unsupervised while it's in operation.*
18. *The device has an open fire, so make sure that children and pets are always supervised by a mature and responsible person while using the Fire Pit Table.*
19. *Do not touch the lava rocks and ceramic logs until they are completely cooled down.*
20. *Turn off the gas supply when the device is not in use.*
21. *Wait at least 1.5 hours after the device has been turned off before placing the SS cover on the unit. If the cover is placed before the Fire Pit Table is complete cooled down damage to the cover or even fire may occur.*
22. *The Fire Pit Table is designed to bring warmth and should only be used outdoors.*
23. *Always use the prescribed gas cylinders as described in this manual.*
24. *In case of violent wind, precautions must be taken to prevent the appliance from tilting.*
25. *The Fire Pit Table should always be used outdoors or in areas that are very well ventilated. This could include conservatories or verandas. An amply ventilated area is open (connected to the outside) for at least 25% of the surface. The surface area is the sum of the walls of the area.*
26. *Be careful, accessible parts may be very hot.*
27. *Always keep this user and installation manual of the equipment close to the device.*
28. *Ensure that the hose is always bent straight down towards the gas bottle and never pressed against hot surfaces of the model.*



FIXINGS LIST

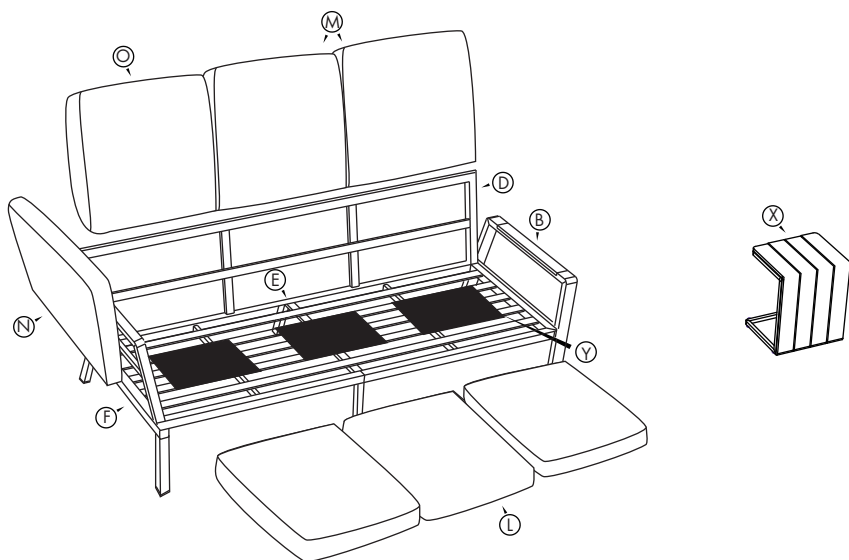
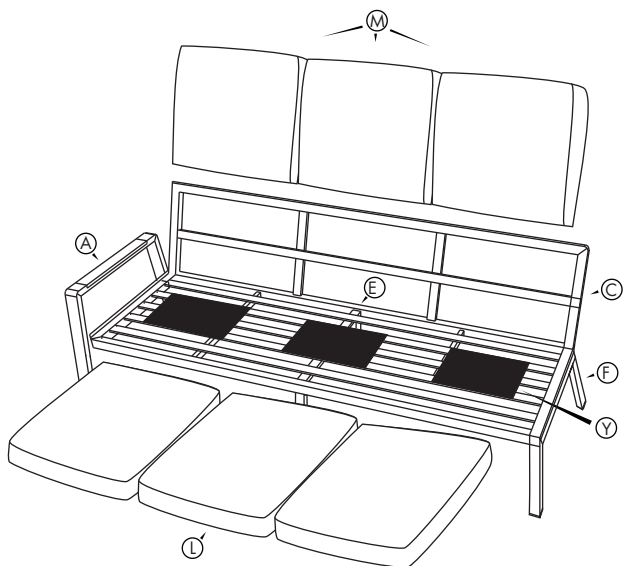
| Piece | Description | Illustration | Quantity |
|-------|-------------|---|----------|
| P | M6x35 Screw |  | x14 |
| Q | M6x55 Screw |  | x10 |
| S | Washer |  | x24 |
| T | Glass clamp |  | x8 |
| U | Spanner |  | x1 |
| K | Allen key |  | x1 |

PARTS LIST

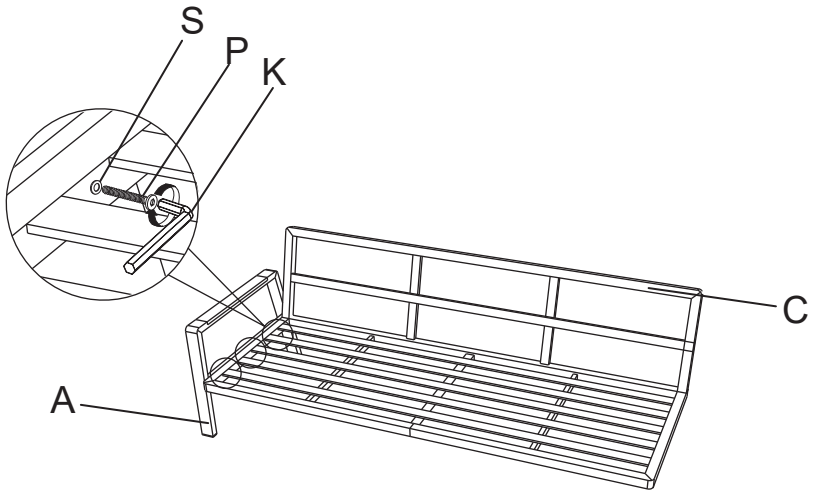
Coded parts can be found in the following numbered boxes.

BOX 1

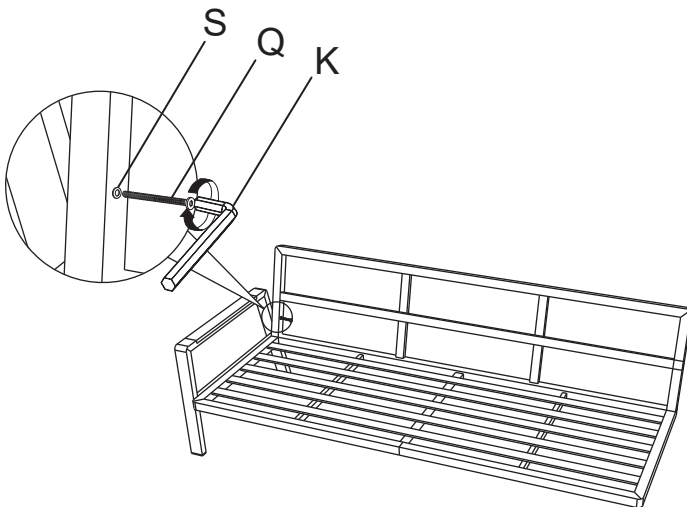
- FIXING PACK
- PART A
- PART B
- PART C
- PART D
- PART E
- PART F
- PART L
- PART M
- PART N
- PART O
- PART X
- PART Y



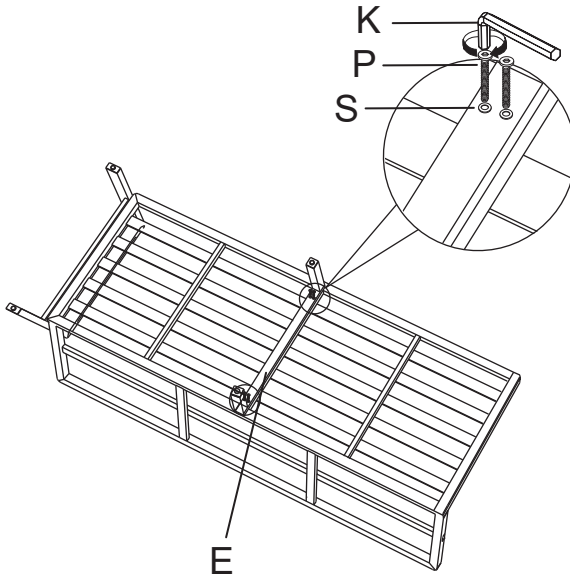
ASSEMBLY INSTRUCTIONS - STEP 1 -



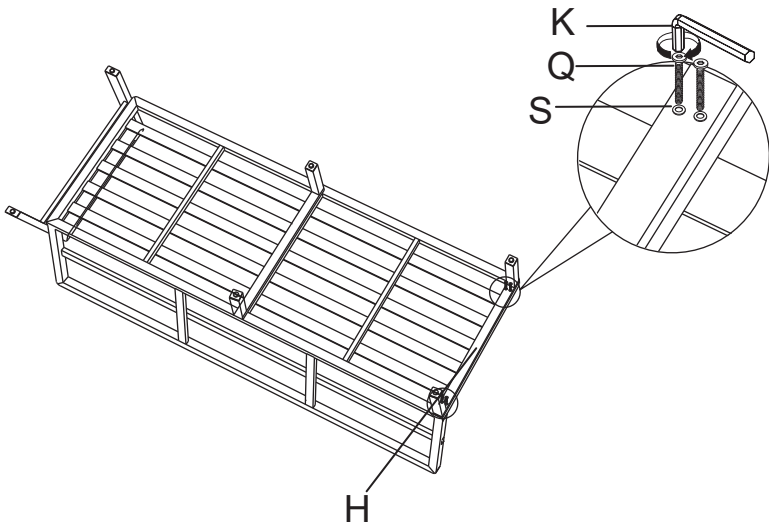
ASSEMBLY INSTRUCTIONS - STEP 2 -



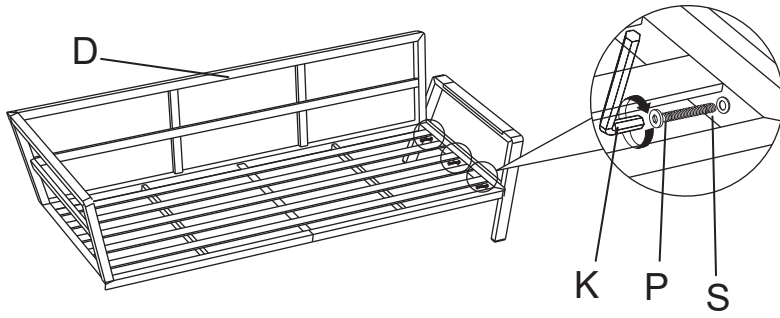
ASSEMBLY INSTRUCTIONS - STEP 3-



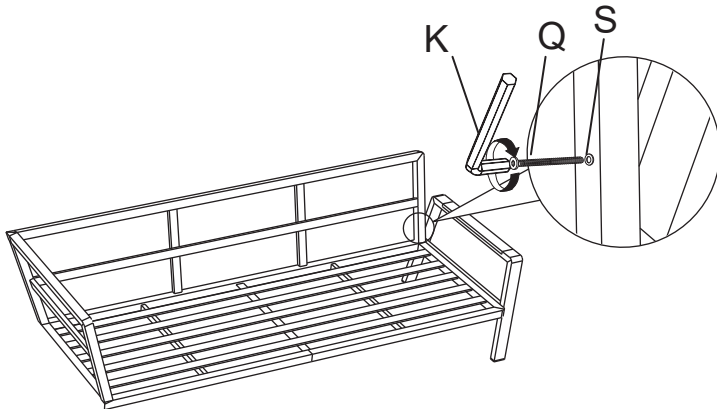
ASSEMBLY INSTRUCTIONS - STEP 4-



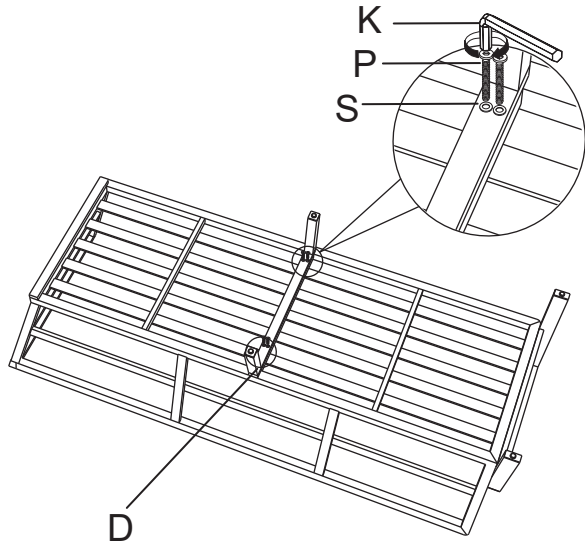
ASSEMBLY INSTRUCTIONS - STEP 5-



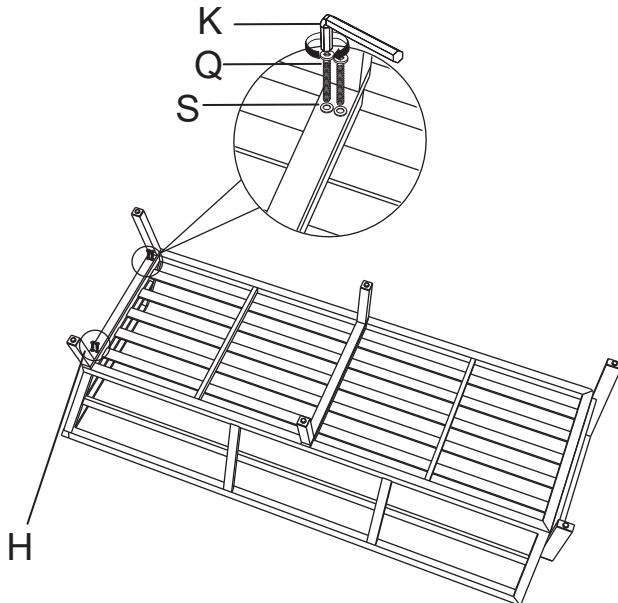
ASSEMBLY INSTRUCTIONS - STEP 6-



ASSEMBLY INSTRUCTIONS - STEP 7-



ASSEMBLY INSTRUCTIONS - STEP 8-

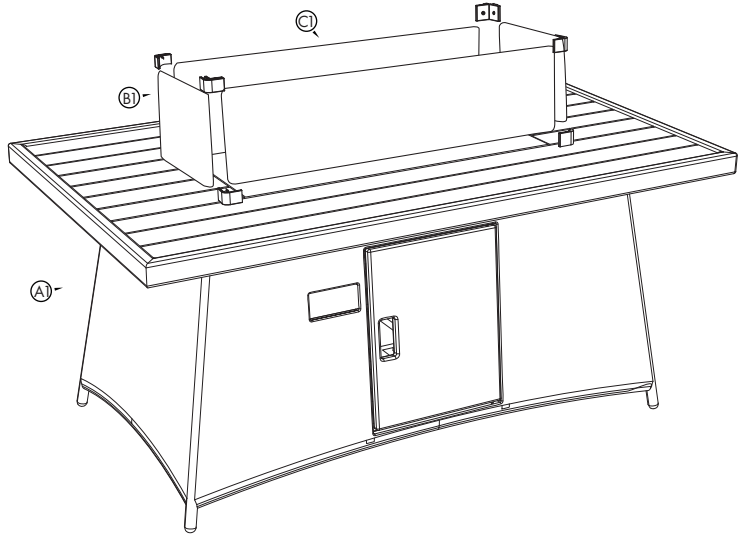


PARTS LIST

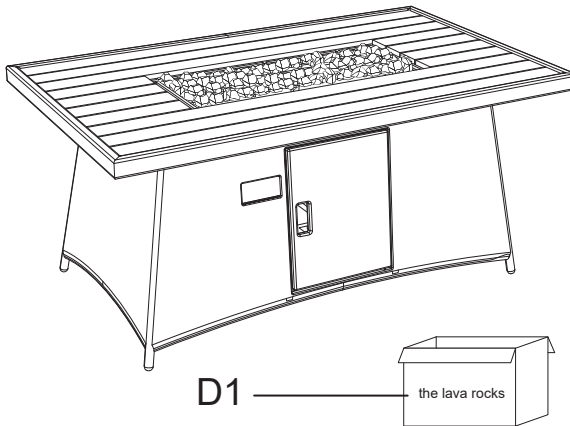
Coded parts can be found in the following numbered boxes.

BOX 2

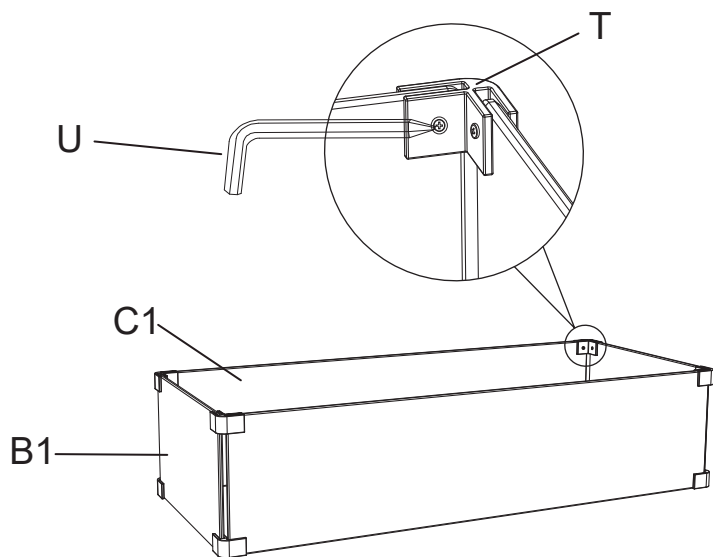
- FIXING PACK
- PART A 1
- PART B 1
- PART C 1



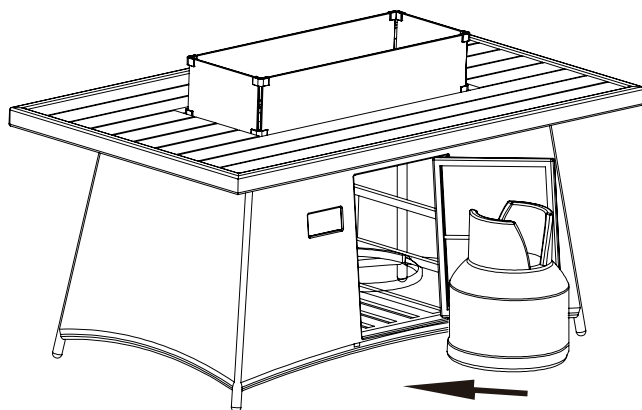
ASSEMBLY INSTRUCTIONS - STEP 9-



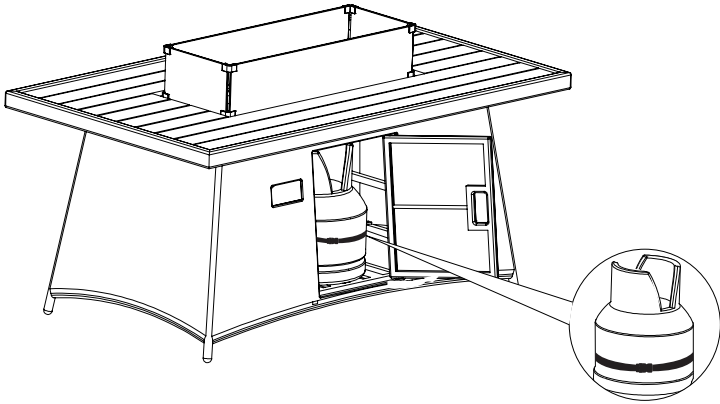
ASSEMBLY INSTRUCTIONS - STEP 10-



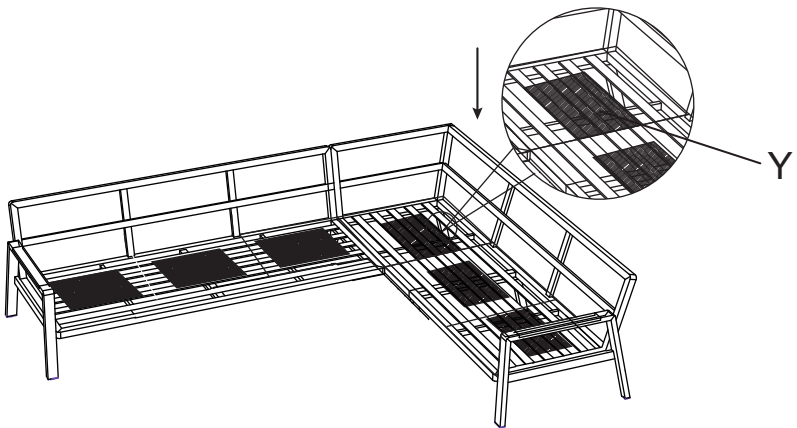
ASSEMBLY INSTRUCTIONS - STEP 11-

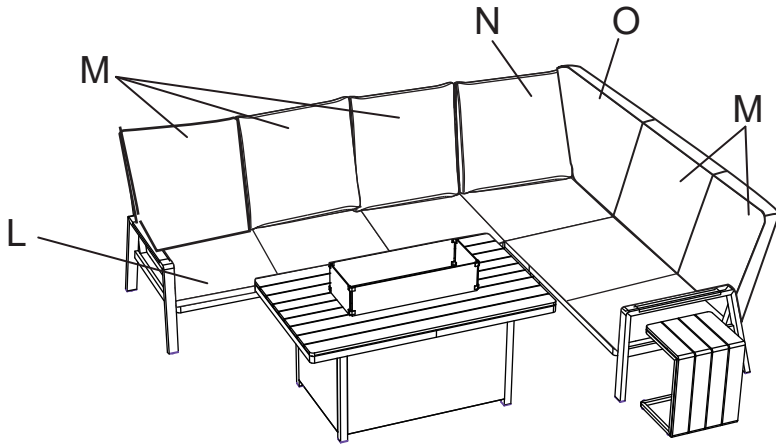


ASSEMBLY INSTRUCTIONS - STEP 12-



ASSEMBLY INSTRUCTIONS - STEP 13-





Installation instructions

The Fire Pit Table is supplied complete with pressure regulator (37 mbar) and gas hose. You only need to purchase a gas bottle. These can be purchased at your local gas supplier.

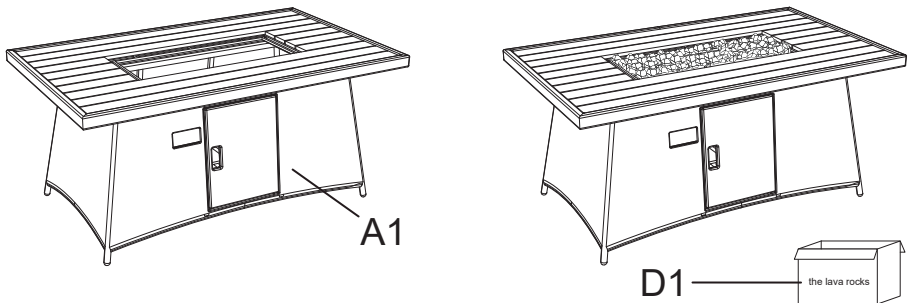
1. Installing the Fire Pit Table

Carefully remove your Fire Pit Table from its packaging and select the location for your Fire Pit Table. The location must meet the following conditions:

- Make sure that the Fire Pit Table is placed on a paved (preferably stone) surface. The surface should be completely flat and clean.
- The Fire Pit Table should be placed at least two metres away from flammable materials and liquids.
- Before the Fire Pit Table is ready to use you need to have fitted a battery for the piezo ignition. Please see 'No.6 Replacing the battery for the piezo ignition.'
- Make sure that the Fire Pit Table(A1) is placed on stable surface, then prepare placing lava rocks.

Once the Fire Pit Table is installed correctly, you can place the lava rocks(D1) in the fire pit, the maximum use weight is 5kgs. Start by unpacking the small lava rocks and place these on the ground. Every Fire Pit Table is supplied with small and large lava rocks. Take the small lava rocks without grit and place these gently on the model. Repeat the process with the big lava rocks and make sure the fire ring is covered with lava rocks. Keep the space around the ignition unit free of lava rocks. Make sure the fire ring is only minimally covered by the lava rocks. If the lava rocks block the fire ring, dangerous situations may occur. The blockade of the fire ring will affect the air flow of the ring and the flames will be different. This results in dangerous situations!

If you want to order more lava stones, this is possible at your purchase address.



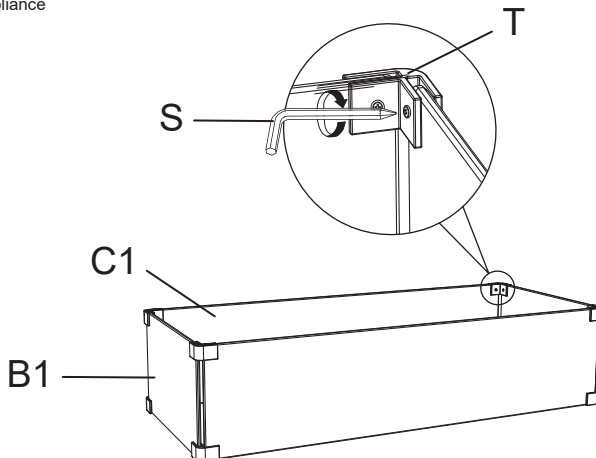
2. Installing wind guard glass

Put the four glasses(B1&C1) as shown below, use glass clamp(T) to connect these glasses, then use spanner(S) to tighten the screws of the glass clamp.

Place the installed wind guard glass on the fire pit.

CAUTION: In case of glass breakage

- Shut immediately off all burners
- Do not touch the appliance surface
- Do not use the appliance



Ready to use the Fire Pit Table for the first time? Make sure that the device is turned on at the highest setting for 15 minutes. This way, the lava rocks are heated through and this ensures that any bumps or air bubbles will disappear from the lava rocks. Keep at a safe distance of at least 2 metres while using the device for the first time. Due to air bubbles burning out of the lava rocks, the rocks may jump up lightly.

When you want to move or clean up the lava rocks, always make sure that they have cooled down completely.

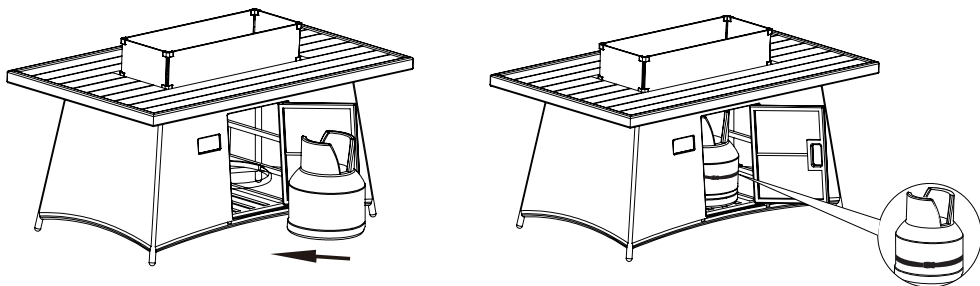
The lava rocks can scorch black in time. This has to do with soot formation which always occurs in devices that show a yellow flame. This soot can be removed by blowing / vacuuming with a vacuum cleaner. The soot may also be brushed off with a dry brush.

3. Placing the gas bottle

- Placing the gas bottle inside of the Fire Pit Table

Underneath the Fire Pit Table there is a gas tank unit. Open the door. Place the gas bottle on the frame and connect the regulator to the gas bottle. Tighten the regulator by hand. Bind the gas bottle with a strap to secure it.

The hose must always be bent down towards the gas bottle. Make sure that the hose is never pressed against any hot surfaces of the appliance.



4. Replacing the cylinder

Do you need to replace the gas bottle, because it's empty? Make sure the model, ceramic logs and lava rocks are completely cooled down! Use the description in point 2 "placing the gas bottle" and remove the old bottle.

You can have the old bottle refilled at your local gas supplier.

5. Replacing the hose and pressure regulator

Replace your propane gas hose every four years. This is national advice. Pressure regulators can go for five years. After the pressure regulator and the gas hose have been replaced, the unit must always be checked for gas leaks.

How to check your Fire Pit Table for gas leaks:

- Open the gas bottle but do not turn on the Fire Pit Table!

- Make a solution with 50% water and 50% detergent, and spray this solution on each connection and the hose. If there is a gas leak in the connection or the hose you will see air bubbles arise.

- If bubbles are visible, immediately shut off the gas. Buy a new hose or regulator.

- Does the problem keep occurring? Please contact a qualified gas engineer.

Replace the hose or pressure regulator and make sure that they are installed in the exact same way. In the UK,

a 37mbar pressure regulator should be placed. The hose must not be longer than 2.5 meters.

When in doubt, always consult a qualified gas engineer.

6. Replacing the battery for the piezo ignition

The Fire Pit Table features a piezo ignition that runs on one battery (see the ignition for the exact battery type). This battery may run out after repeated use of the device. The battery can be replaced as follows:

- Make sure the Fire Pit Table, ceramic logs and lava rocks are completely cooled down.

- Make sure the Fire Pit Table is no longer connected to the gas bottle.

- On the control panel you will find a smaller black button besides the control button. This is the ignition where you will find the battery.

- You can now twist the black ignition open and place the battery in the ignition, according to the instructions. Please mind the +/- sides.

- The old battery should be returned to a collection point.

User manual

- Always make sure that the instructions in this user manual are followed precisely. If these instructions are not followed correctly, this can result in fire or explosion that could cause damage to persons, property or loss of life. Never use flammable liquids or vapours in the vicinity of a burning device.
- Improper installation, adjustments or modifications to the equipment can result in injury or property damage. Read the installation instructions, safety precautions and operating instructions very carefully.
- Do not leave the Fire Pit Table unattended when it is in use or when it is connected to a gas bottle.
- What to do if the device emits a smell of gas:
Shut off the gas bottle immediately and contact a technical gas specialist. Do not use the device until it is approved for use again.
- Installation, maintenance and service needs to be performed by a qualified gas technician in these cases.
- Only use the Fire Pit Table outdoors or in a well-ventilated area. Never use the Fire Pit Table inside a building, house, garage or any other enclosed area.
- Gas bottles must be stored outdoors and in well-ventilated areas. Make sure that gas bottles are out of the reach of children.
- The Fire Pit Table is best stored in a garage or well-ventilated area . Store the Fire Pit Table only when it is disconnected from the gas bottle.
- The Fire Pit Table is not qualified as a cooking appliance and therefore must not be used as a cooking appliance.
- Check for gas leaks at least once a month and every time a change is made to the unit.
- Keep the area around the Fire Pit Table clear of combustible liquids, materials and vapours. Never throw anything into the flames of the Fire Pit Table.
- Never use a fuel other than propane gas.

Turning on the Fire Pit Table



- Make sure the Fire Pit Table is stable and in solid state.
- Press the control button fully until you hear a slight ticking sound (this is the piezo ignition). If you don't hear anything when pressing the ignition button, you probably need to replace the battery. Keep the control button pushed in when you open the gas supply and turn the control button to 'HIGH' for gas supply. The burner should now ignite within 15 seconds. When the burner produces a complete flame, hold the control button for another 15 seconds. The flame should keep burning now. In case the flame goes out however, you should try the same process again and hold the gas supply button a little longer.

Switching off the Fire Pit Table

- Turn the control button towards 'LOW' to extinguish the flame. When the flame is extinguished entirely, you shut off the gas valve on the gas bottle.

- Let the lava rocks cool down completely and use furniture cover to protect your fire pit table

Specifications:



0063-23
PIN: 0063CR7787

Model:
Ulc-PC70-Y-E series Ulc-PC60-H-E series
Ulc-PC101-T-Eseries Ulc-PZ425-C-E series
Ulc-PC101-T-E series Ulc-PC1015-T-E series
Ulc-PY46-C-E series Ulc-PC49-C-E series
Ulc-PY46S-C-Eseries 14-3101

Gas: Butane / Propane I3+ 28-30 / Propane I3P-37 / I3P-50
mbar
Heat input: 13 kW / 16 kW
Read the instructions before use!

FOR OUTDOOR USE ONLY !
For minimum distances:72" (182cm) from the top; 36" (91cm) from all sides and back.
CAUTION:Touchable parts may be extremely hot.Keep young children at a distance

The device must be installed in accordance with the instructions and the applicable natinal regulations in the country where it is used.

This device is for decorative purposes only.
Using it for any type of cooking is strictly prohibited.

WARNING : THIS UNIT HAS AN OPEN FLAME.A SUITABLE INDIVIDUAL SHOULD MAKE SURE TO PROTECT YOUNG CHILDREN AS WELL AS ELDERLY AND SICK PERSONS.

Dongguan City Ule-cooker outdoor leisure products Co.,Ltd
Yangwu industry Park,Dalingshan Town, Dongguan City,Guangdong

Do not store gasoline or other flammable vapor and liquids int he vicinity of this device,or any similar device.
WARNING :Any changes to this device can be dangerous:improper installation,adjustment,modification,operationor maintenance can cause personal injury or damage to your property.
WARNING : This device is designed for outdoor use and not intended for use in any confined space,recreational house or boat.
WARNING : Always keep flammable materials at a distance of at least 1.2 metres from the unit on all sides.Using the device under aceiling is prohibited.
WARNING : Installation and repair shoud be performed by an Authorized Service ,Agency or Gas Supplier : Don not try this yourself.
WARNING : Never use this device before all connections are leak tested in accordance with the instructions in the manual.
WARNING : Do not ignite when your face or hands are above the

Imported by
PL Ltd
HD3 4JD
United Kingdom
Importer reference model : 18-362-ANT-FP/18-362-LIM-FP/
18-361-ANT-FP/18-361-LIM-FP

Which gas bottle can be used in your Fire Pit Table? The chart below shows you the product and the types of gas bottles that you can use. The Fire Pit Table has been tested extensively for propane gas bottles. Therefore, always use one of the prescribed gas cylinders. Using another bottle can change the way the fire behaves, or in the worst cases cause major damage to persons, animals or materials. Do you have any doubts about a specific gas bottle that you would like to use? Please always contact the helpdesk or an authorized gas specialist.

Maximum diameter of the gas cylinder 305 mm

Maximum height of the cylinder regulator including 390 mm

| Model: | Recommend gas cylinder: |
|----------------|---|
| Fire Pit Table |  <p data-bbox="599 775 850 884">BP gas 5kg Dia30xH31cm</p> |

Imported by
PL Ltd
HD3 4JD
United Kingdom

CARE INSTRUCTIONS

Clean with a dry soft cloth.

Aluminium :

- Aluminium is a durable and easy-care material. However, the paint work can be hit, so avoid bumps.
- Normal soapy water can be used for cleaning.

Teak:

- You don't have to treat with a teak oil. The furniture should be cleaned regularly with wood cleaner.
- Teak oiled furniture retains a brownish color.
- Hardwood oils and teak oils are suitable for servicing teak furniture.
- Winter store furniture in a cool place that is not too dry.

Cushion:

- Cushions should always be protected from excess moisture.
- Padding should be treated with dirt and moisture repellent separately for outer textiles designed to make the surface last longer.
- Please use only cleaning agents designed for outdoor textiles when cleaning this product.
- Different fabrics may fade more or less in the sun.