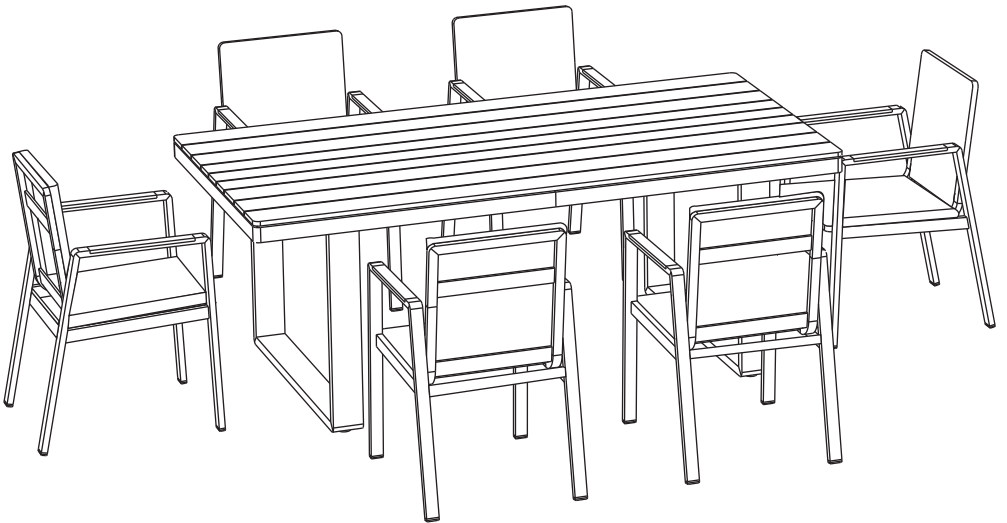


# USER GUIDE



Item No: 18-360-ANT/18-360-LIM



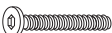



## INTRODUCTION

These instructions are provided for your safety. Please read them carefully before commencing.

## IMPORTANT SAFETY INFORMATION

- Due to small parts keep children clear during assembly.
- Carefully layout all the parts on a clean, flat surface and compare with the parts checklist.
- Please retain all packaging until you are sure no parts are missing, then once you are satisfied with the product please dispose of all packaging responsibly.
  
- During assembly take care not to overtighten the bolts.
- When positioning your furniture ensure the ground is firm, level and dry.
- Take care when handling or moving furniture. Always lift with assistance to avoid damaging your product and maintain personal safety.
- Do not stand, jump or climb on the seat.
- Do not sit, stand or climb on the table.
- Ensure all fittings are fully tightened before use and checked regularly and re-tightened as necessary.

## FIXINGS LIST

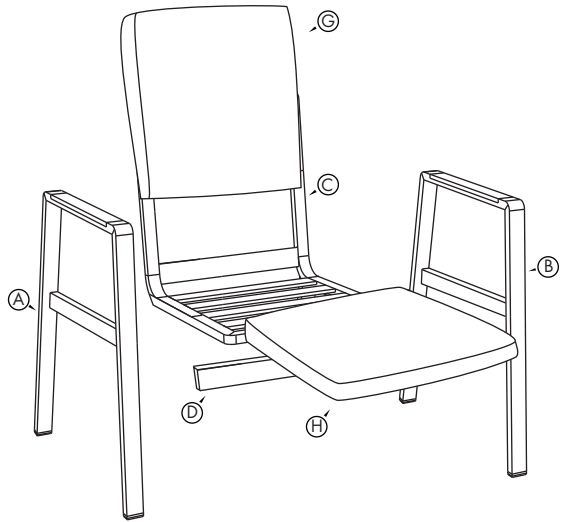
Piece	Description	Illustration	Quantity
I	M6x20 Screw		x24
J	M8x20 Screw		x8
K	M6x45 Screw		x36
L	M6 Washer		x60
M	M8 Washer		x8
N	M6 Allen Key		x1

## PARTS LIST

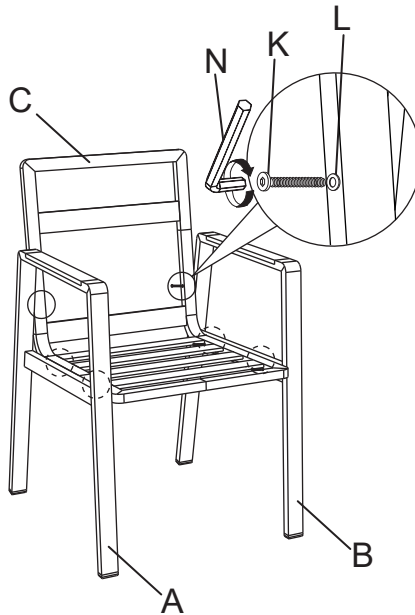
Coded parts can be found in the following numbered boxes.

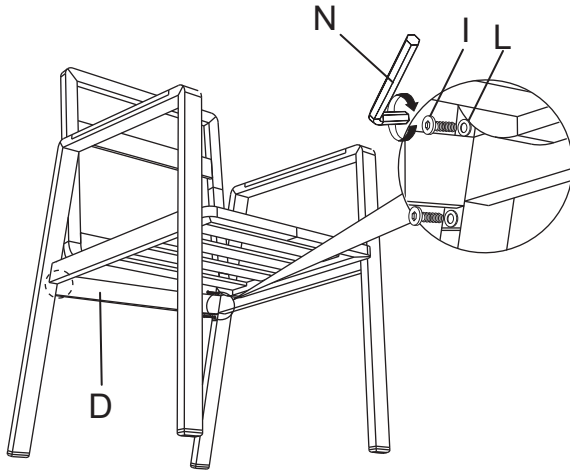
### BOX 1

- FIXING PACK
- PART A
- PART B
- PART C
- PART D
- PART G
- PART H



## ASSEMBLY INSTRUCTIONS - STEP 1-



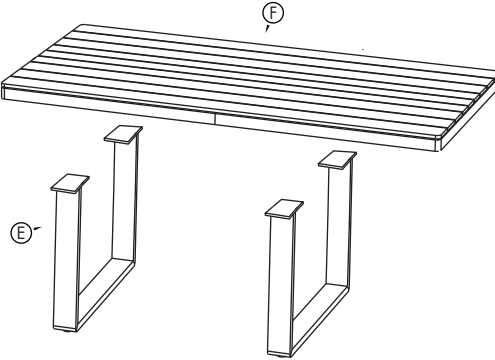


## PARTS LIST

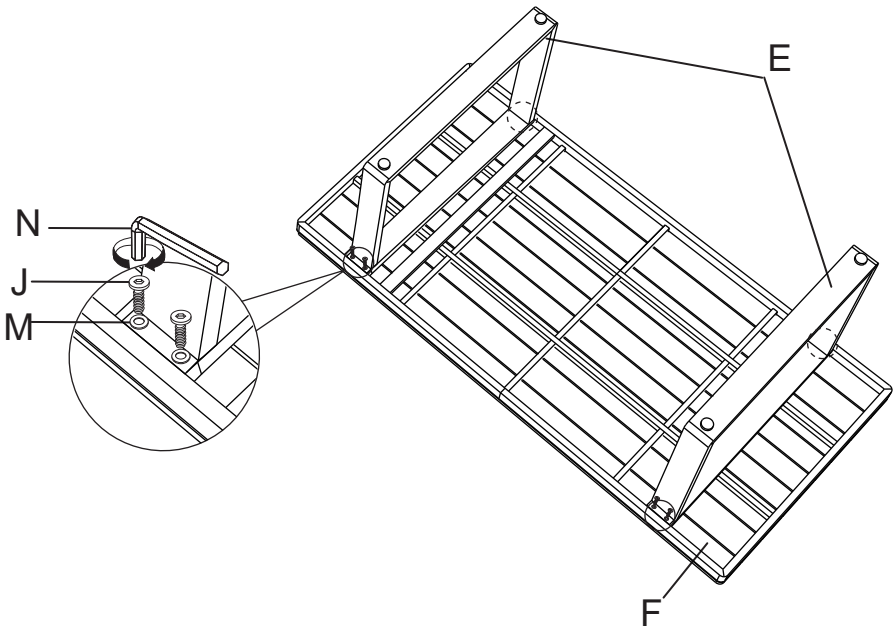
Coded parts can be found in the following numbered boxes.

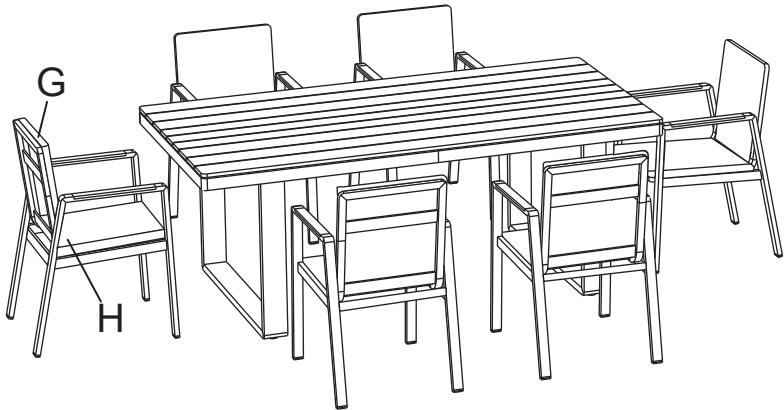
### BOX 2

- FIXING PACK
- PART E
- PART F



## ASSEMBLY INSTRUCTIONS - STEP 3-





## CARE INSTRUCTIONS

Clean with a dry soft cloth.

Aluminium:

- Aluminium is a durable and easy-care material. However, the paint work can be hit, so avoid bumps.
- Normal soapy water can be used for cleaning.

Teak:

- You don't have to treat with a teak oil. The furniture should be cleaned regularly with wood cleaner.
- Teak oiled furniture retains a brownish color.
- Hardwood oils and teak oils are suitable for servicing teak furniture.
- Winter store furniture in a cool place that is not too dry.

Cushion:

- Cushions should always be protected from excess moisture.
- Padding should be treated with dirt and moisture repellent separately for outer textiles designed to make the surface last longer.
- Please use only cleaning agents designed for outdoor textiles when cleaning this product.
- Different fabrics may fade more or less in the sun.