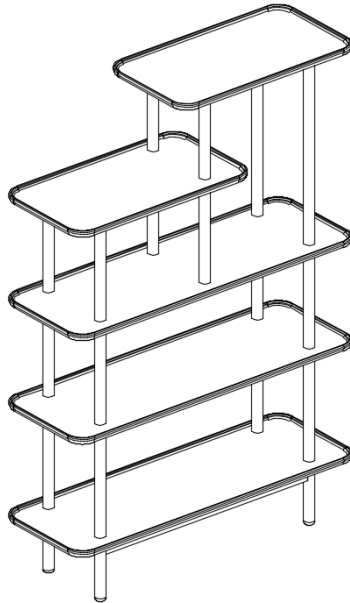


ASSEMBLY & PRODUCT CARE

OPEN DISPLAY
5059413121968

Thank you for purchasing this product. Please read the instructions carefully before use to ensure safe and satisfactory operation of this product.



Pre-assembly preparation

Please ensure instructions are read in full before attempting to assemble this product

You will need



Please check the pack contents before attempting to assemble this product. A full checklist of components is given in this leaflet. If any components are missing, please contact the retailer from whom you bought this product.

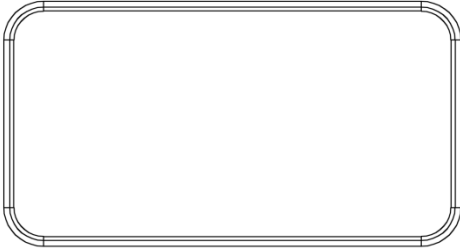
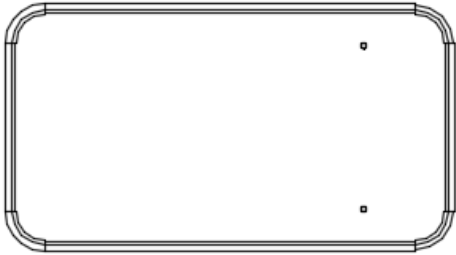

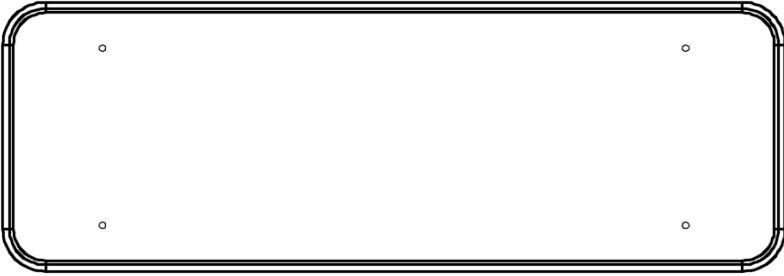
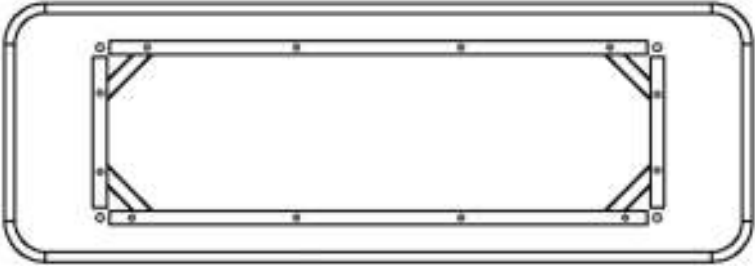
This product is **HEAVY**, it should be assembled as near as possible to the point of use. **TAKE CARE WHEN LIFTING** to avoid personal injury and (or) damage to the product.

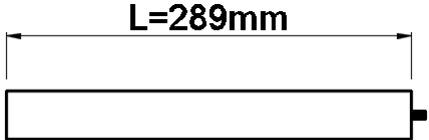
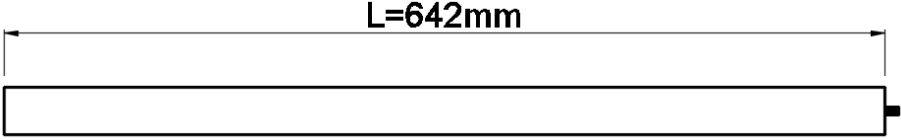
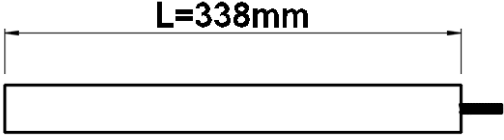
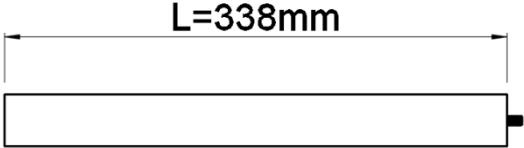
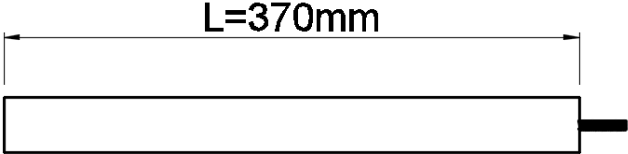
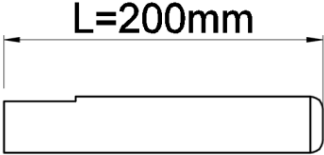
This product takes approximately **25 MINUTES** to assemble with **2 PEOPLE**.

The fittings pack contains **SMALL ITEMS** which should be **KEPT AWAY FROM YOUNG CHILDREN**.


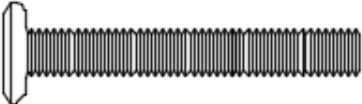
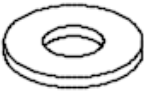


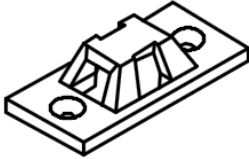
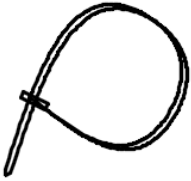
Read this leaflet in full before commencing assembly.

Parts checklist

Part	Description	Qty
Shelf 1		1
Shelf 2		1
Shelf 3		1
Shelf 4		1
Shelf 5		1

Leg 1		2
Leg 2		2
Leg 3		6
Leg 4		2
Leg 5		4
Leg 6		4

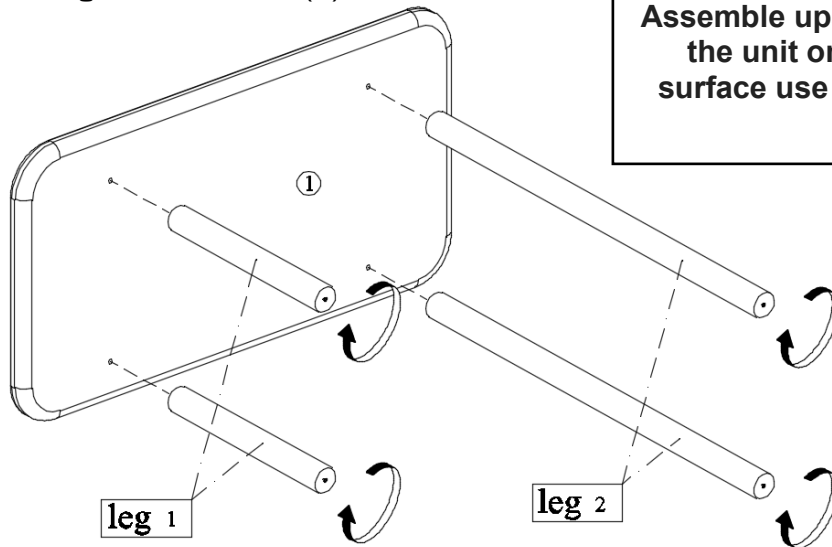
Fittings checklist

Fixing	Description	Qty
A	Bolt M6 x 30mm 	6
B	Bolt M6x60mm 	8
C	Washer M6/M16 	8
D	Lock Washer M6 	8
E	Allen key 4mm 	1
F	Wall plate 	2
G	Wall strap 	2

Step by step assembly instructions

Step One

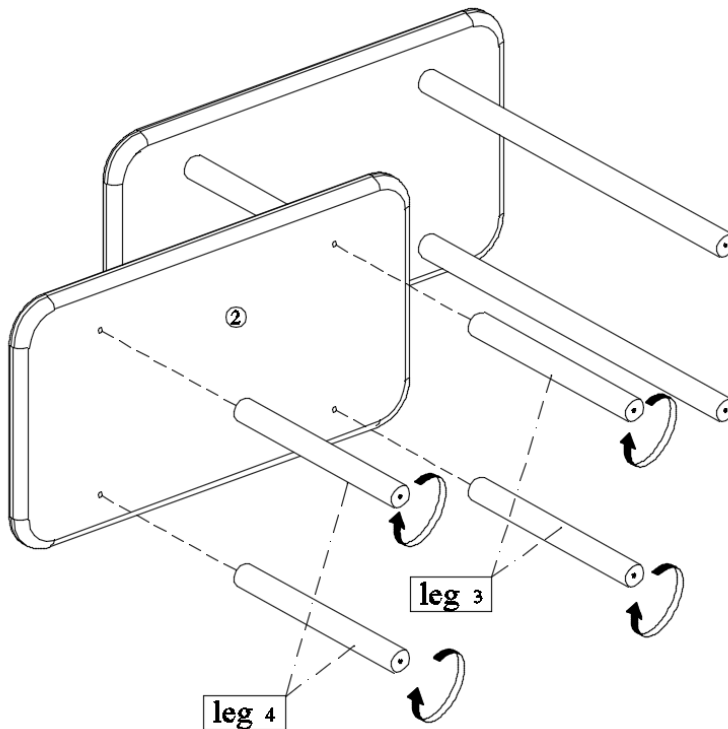
Attach leg 1 & leg 2 on to shelf (1).



IMPORTANT: Hand tighten only to avoid damage to the legs *DO NOT OVER-TIGHTEN.

Step Two

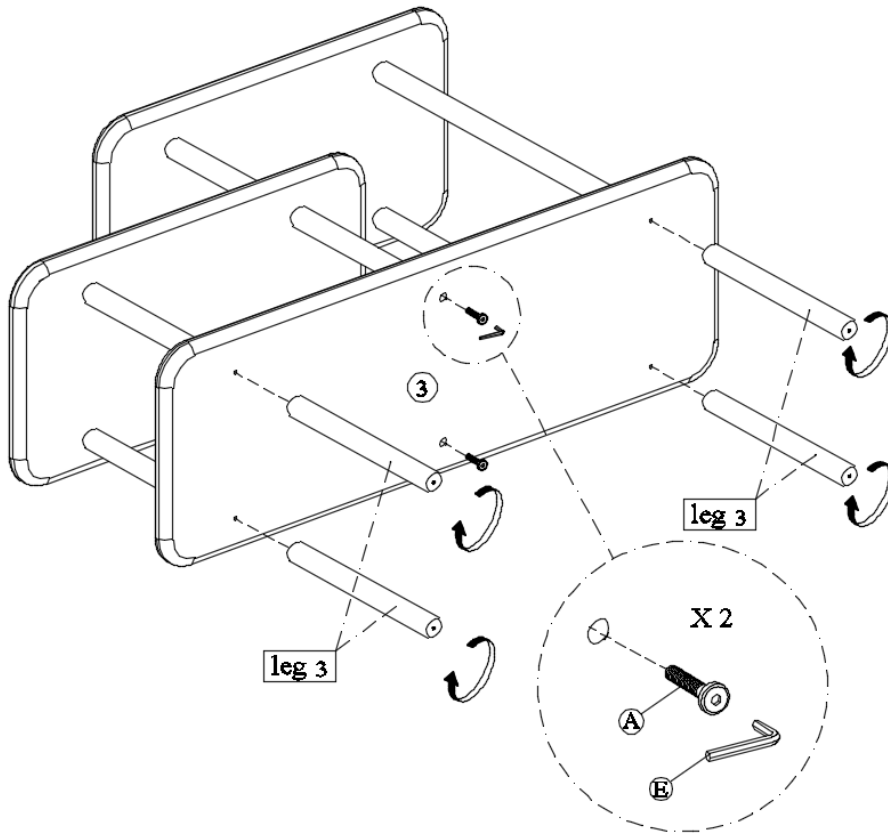
Attach leg 2 & leg 3 on to shelf (2).



IMPORTANT: Hand tighten only to avoid damage to the legs *DO NOT OVER-TIGHTEN.

Step Three

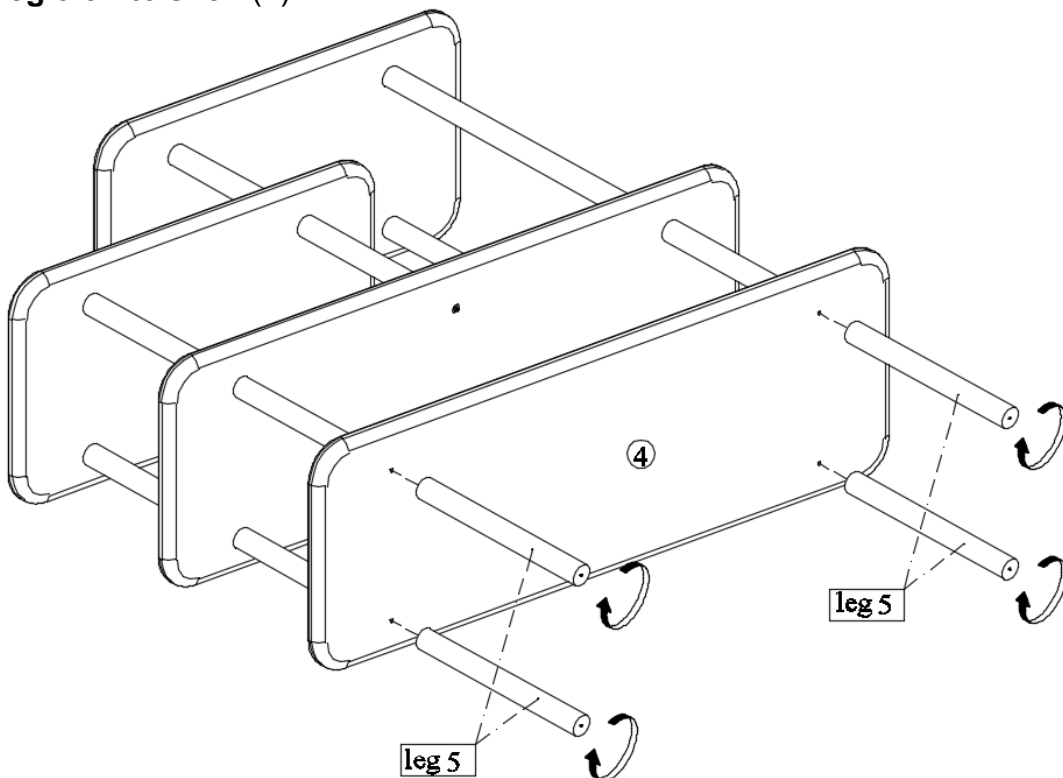
Attach leg 3 on to shelf (3) use both (A) and allen key (E) at mid pre-drill hole.



IMPORTANT: Hand tighten only to avoid damage to the legs *DO NOT OVER-TIGHTEN.

Step Four

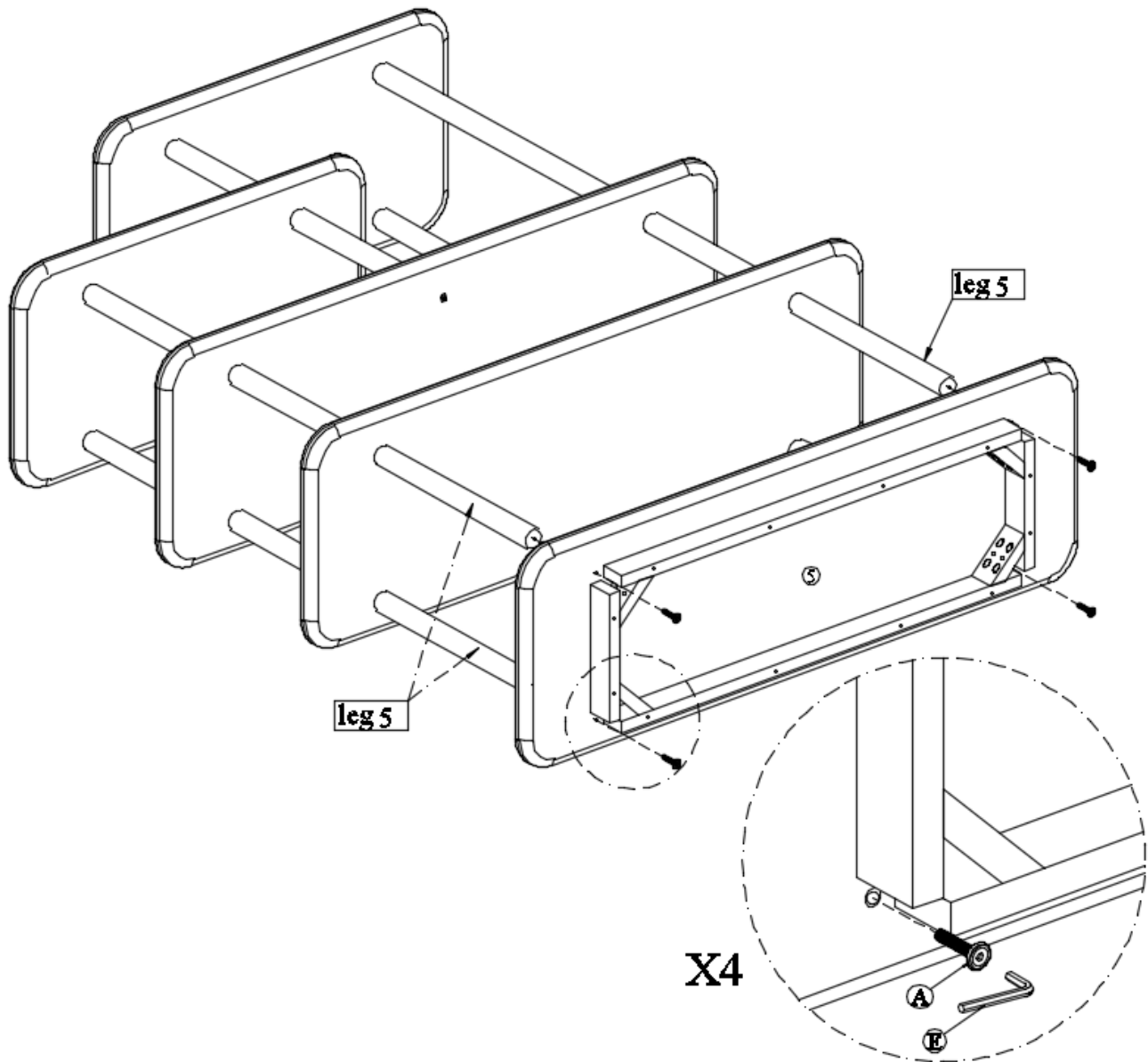
Attach leg 5 on to shelf (4).



IMPORTANT: Hand tighten only to avoid damage to the legs *DO NOT OVER-TIGHTEN.

Step Five

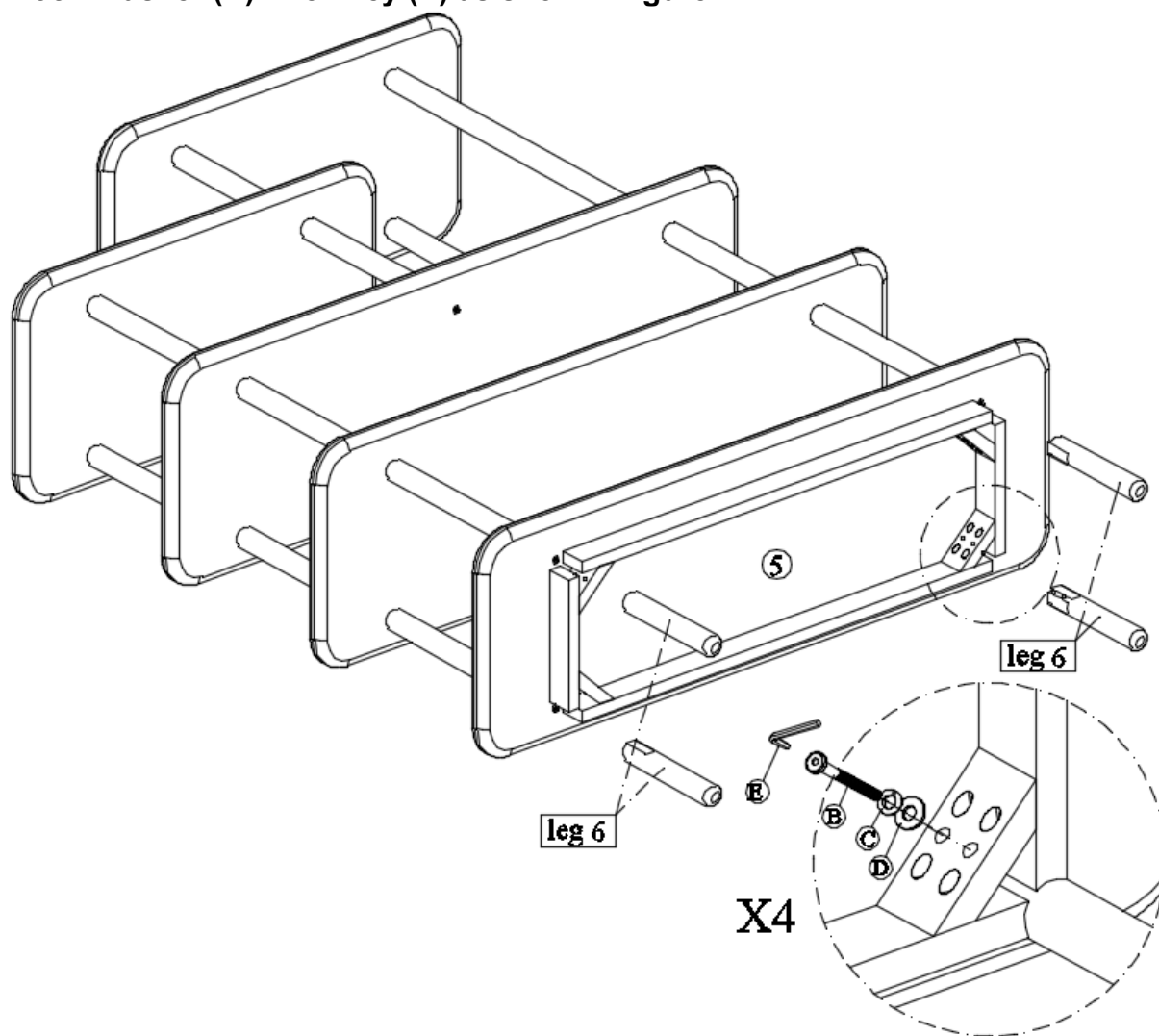
Attach shelf (5) on to leg (5) use both (A) and allen key (E).



IMPORTANT: Hand tighten only to avoid damage to the legs *DO NOT OVER-TIGHTEN.

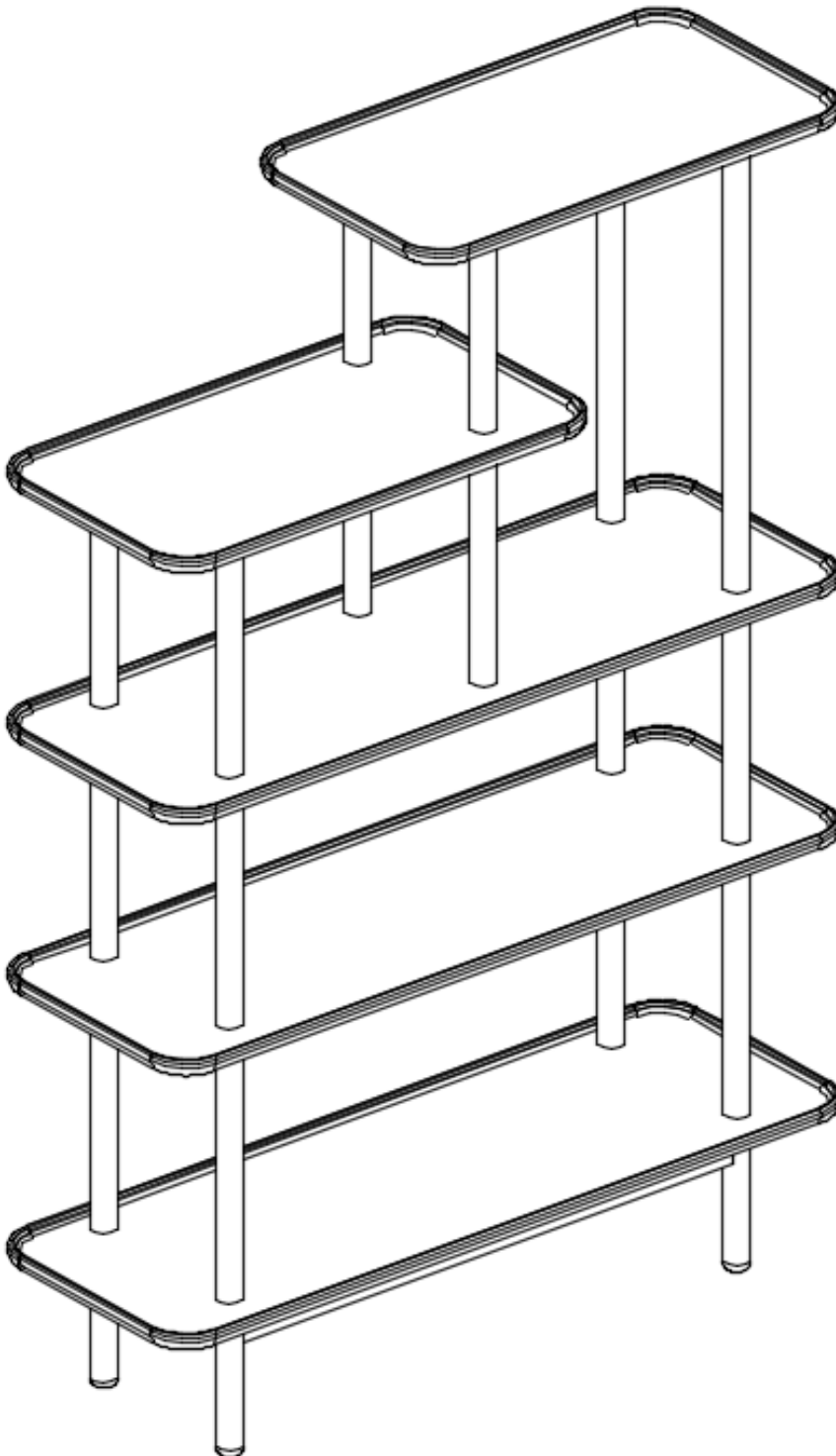
Step Six

Attach leg 6 at pre-drill hole onto shelf (5) using Both (B) and Flat Washer (C) Clock Washer (D) Allen key (E) as show in figure.



IMPORTANT: Hand tighten only to avoid damage to the legs *DO NOT OVER-TIGHTEN.

Finish.



IMPORTANT: PLEASE NOTE WHEN LIFTING OR MOVING THE TABLE ALWAYS DO SO FROM THE UNDER FRAME AND NOT THE TABLE TOP.

Safety Instructions

Never drag furniture when moving it, always lift it.

When lifting or moving a table always do so from under frame and not the table top.

Periodically check all fixings to ensure none have come loose and re-tighten where necessary.

Please take care when handling or moving the furniture as careless handling may cause damage or injury.

Furniture can be dangerous if incorrectly installed. Assembly should be carried out by a competent person. No liability will be accepted for damage or injury caused by incorrectly installed or assembled furniture.

It is recommended that before moving heavy objects to a new location they are completely disassembled to avoid personal injury or damage to the furniture. Please be careful to retain all fittings when doing this.

IMPORTANT: If an Anti-topple device is included with this unit, you must install it in accordance with the instructions provided using fixings suitable for the wall type. If unsure, please seek advice of a professional.

Care and Maintenance

WHEN CARED FOR PROPERLY, THIS HAND CRAFTED FURNITURE WILL PROVIDE YOU WITH YEARS OF ENJOYMENT IN YOUR HOME.

How to care for Wood furniture (unpainted)

Furniture with a hard lacquer, wax polish or painted surface should be dusted with a dry cloth.

Waxed furniture will need to be given a coat of beeswax a couple of times a year to help maintain its luster.

Spray polishes are best avoided as they contain silicones which may spoil the furniture's surface by building up over time.

Make sure all surfaces are protected from heat and liquids by mats and coasters. Wipe up spills immediately and ensure that a mat or pad is placed under paper if you are writing.

Extendable dining tables should be left extended for the first few months to avoid an uneven appearance. Likewise, lamps and ornaments should also be moved regularly. Our furniture will endure most temperatures in the home but it is best to avoid placing furniture next to heat sources such as radiators or fires. Be particularly careful with solid wood as the lack of humidity caused by central heating can cause damage such as warping.

How to care for Painted Wood furniture

Hand painted brush stroke finish's will hold up to everyday wear and tear quite nicely. However, it is important to remember that your piece is still a wood piece of furniture and should be cared for as such.

Painted furniture still requires regular dusting with a damp cloth. When very soiled wash with a solution of mild, non-abrasive detergent and warm water. Wring a cloth nearly dry and work on a small section at a time, then rinse with clear water drying after..

Never leave water to settle on the surface as this will cause damage. Any liquid spilled onto the item should be cleaned up immediately using an absorbent cloth.

AVOID chemical cleaners or liquid furniture polish including direct contact with greasy substances

As with all natural wood products, there will be some movement within the parts as the furniture acclimatises to its surroundings, you may see slight chipping and cracks where panels meet, this is a completely natural occurrence with ALL painted products using natural solid timbers. Painted surfaces can be carefully touched up with matching paint.

There will be various brush lines, slubs, and little inconsistencies in the painted finish, this is all part of the relaxed handfinished look and feel of hand painted collections.

How to care for Glass furniture

If the product component is chipped or broken, please consult the manufacturer, retailer or agent with regard to obtaining a manufacturing specification and shape for replacement glass quoting the model number and batch number.

Do not use the glass as a chopping surface. Do not strike the glass with hard or pointed objects. Do not sit or stand on horizontal glass surfaces.

Do not place very hot or very cold items against or in close proximity to glass surface(s).

The surface should be protected with coasters, trivets or placemats.

All spills should be blotted up immediately. Do not wipe the spill or this may spread it. Clean the surface with a clean soft cloth (non-abrasive) and mild detergent or stone soap.

How to care for Metal furniture

Metal furniture requires minimal maintenance:

Cleaning your metal furniture is very simple. Use a soft cotton cloth and clean with mild detergent or water, using a towel immediately dry the furniture afterwards.

Metal furniture is usually damaged due to rust, as a precaution a soft wax after cleaning will help seal it.

If it has a few spots of rust, you can treat it with rust remover, following the manufacturers guidelines. (some finishes are made to look like rust)

Smudges and smears can be removed from metal furniture by using a window cleaner and a paper towel.

Indoor metal furniture is not recommended for outdoor use.

How to care for Marble furniture

The surface should be protected with coasters, trivets or placemats.

All spills should be blotted up immediately, do not wipe the spill as this may make it spread.

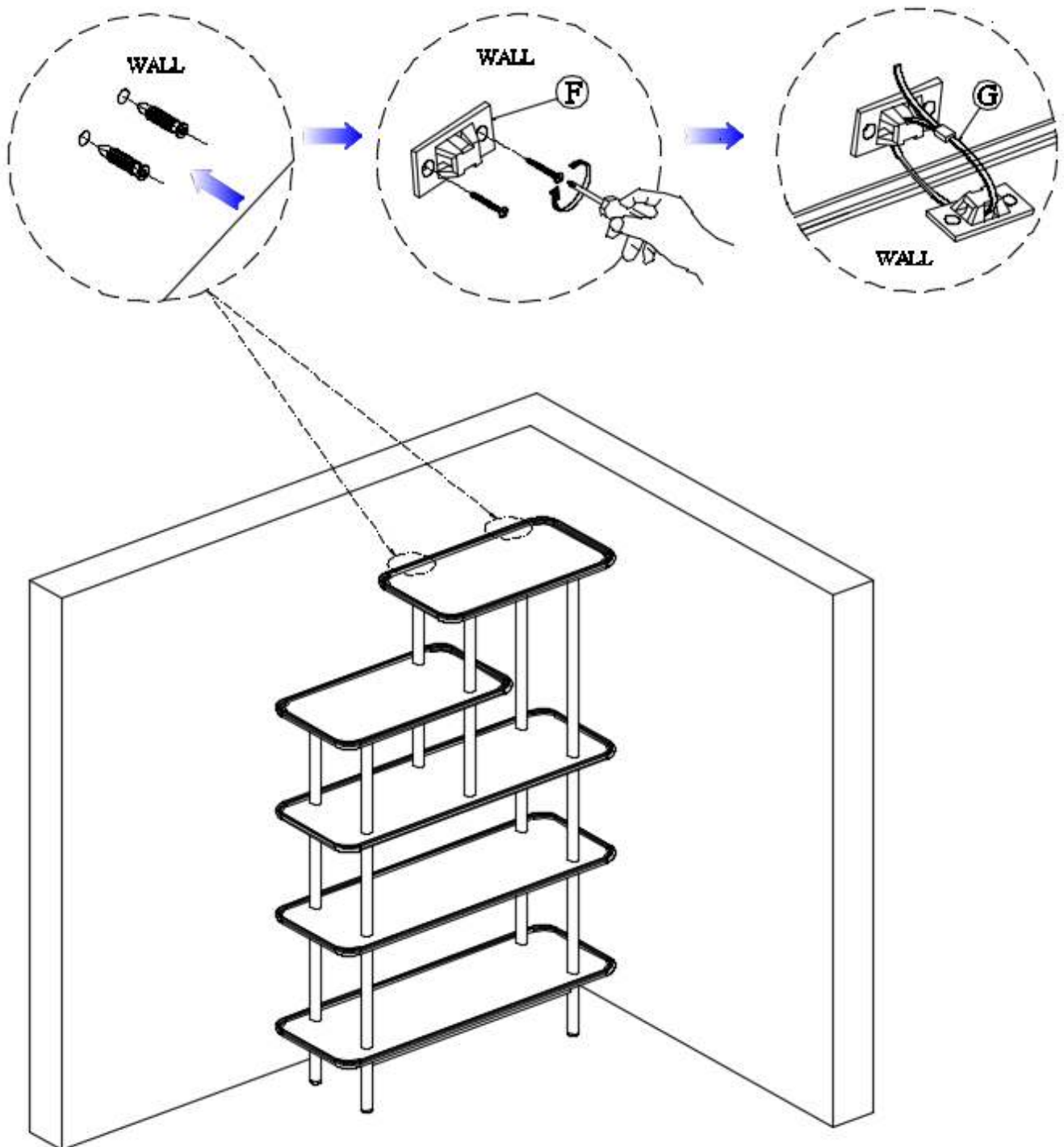
Clean the surface with a clean soft cloth (non-abrasive) and mild detergent or stone soap. Do not use cleaners containing acids.

WHEN CARED FOR PROPERLY, THIS HAND CRAFTED FURNITURE WILL PROVIDE YOU WITH YEARS OF ENJOYMENT IN YOUR HOME.

PLEASE KEEP THESE INSTRUCTIONS FOR FUTURE REFERENCE

WALL FIXING INSTRUCTION

SERCURING YOUR FURNITURE TO THE WALL



“ IMPORTANT ”

Wall fixings are not supplied.
Please secure the unit to your
wall using the appropriate fixings
for your wall type.

We recommend you attach this anti tip-kit to your piece of furniture. Securing your furniture to the wall with this kit could prevent injury/property damage from unexpected tipping furniture.

To secure Furniture Cabinet to wall

1. Choose and mark location of fixing onto the wall, should be approximately 10mm below the top of the furniture surface .
2. Screw the clip provided onto the wall at located position. (Screw not included) seek professional advice in unsure of wall construction.
3. Screw fixing is already attached to a discrete suitable area at the rear of the unit. (Near the top) with the screw provided.
4. Your unit should now be restricted from tipping forward.