

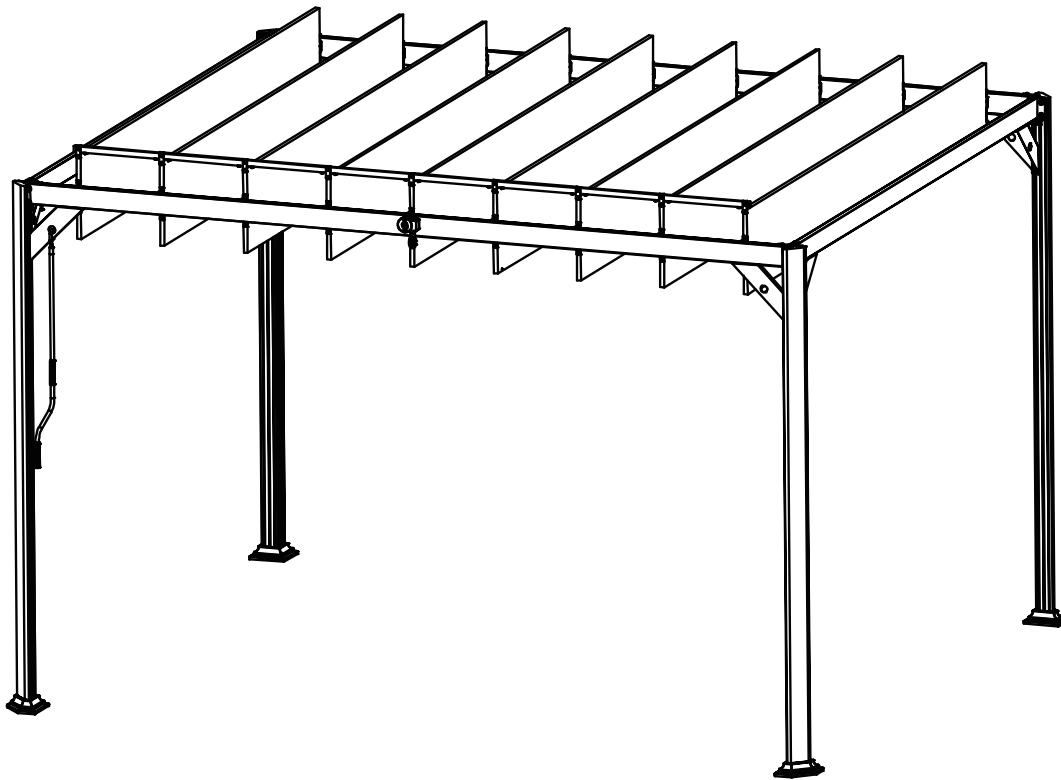


**GARDEN  
MUST  
HAVES**

*"Essential items for your garden"*

# Assembly Instruction

**Item No: 84910**



Norfolk Leisure Lifestyle Ltd  
Garage Lane  
Setchey  
Kings Lynn  
Norfolk  
PE33 0AX

[www.norfolkleisure.com](http://www.norfolkleisure.com)  
[service@norfolkleisure.co.uk](mailto:service@norfolkleisure.co.uk)

Tel : 01553 811 717

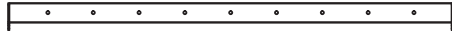
# Parts List



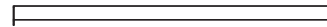
[01] x 4  
(76 x 76 mm)



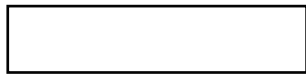
[02] x 1  
(88 x 25 mm)



[03] x 1  
(88 x 25 mm)



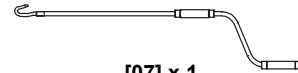
[04] x 2  
(88 x 25 mm)



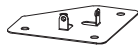
[05] x 9  
(18 x 18 mm)



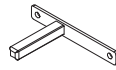
[06] x 1  
(25 x 15 mm)



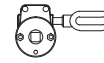
[07] x 1



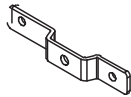
[08] x 4  
(135 x 135 x 1.2 mm)



[09] x 1  
(13 x 13 x 75 mm)  
(140 x 19 mm)



[10] x 1



[11] x 17  
(140 x 19 x 2.5 mm)



[12] x 9  
(M6 x 18 mm)



[13] x 2  
(M6)



[14] x 112  
(M6 x 15 mm)



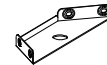
[15] x 4  
(75 x 75 x 2.5 mm)



[16] x 2  
(M6 x 63 mm)



[17] x 17  
(M6 x 24 mm)



[18] x 8  
(345 x 85 x 2 mm)



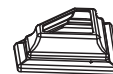
[19] x 2



[20] x 8



[21] x 9

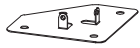


[22] x 4

# 01



[01] x 4



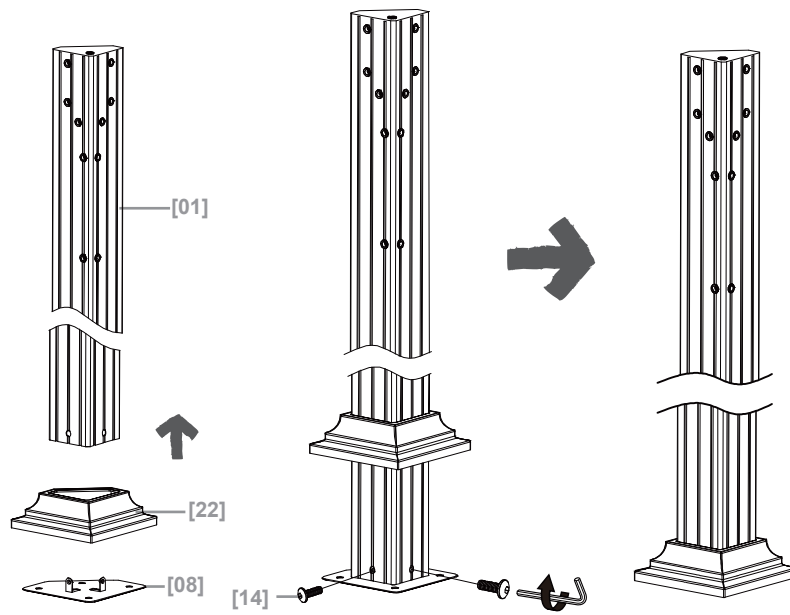
[08] x 4



[14] x 8

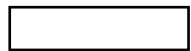


[22] x 4

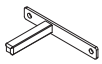


**x 4**

# 02



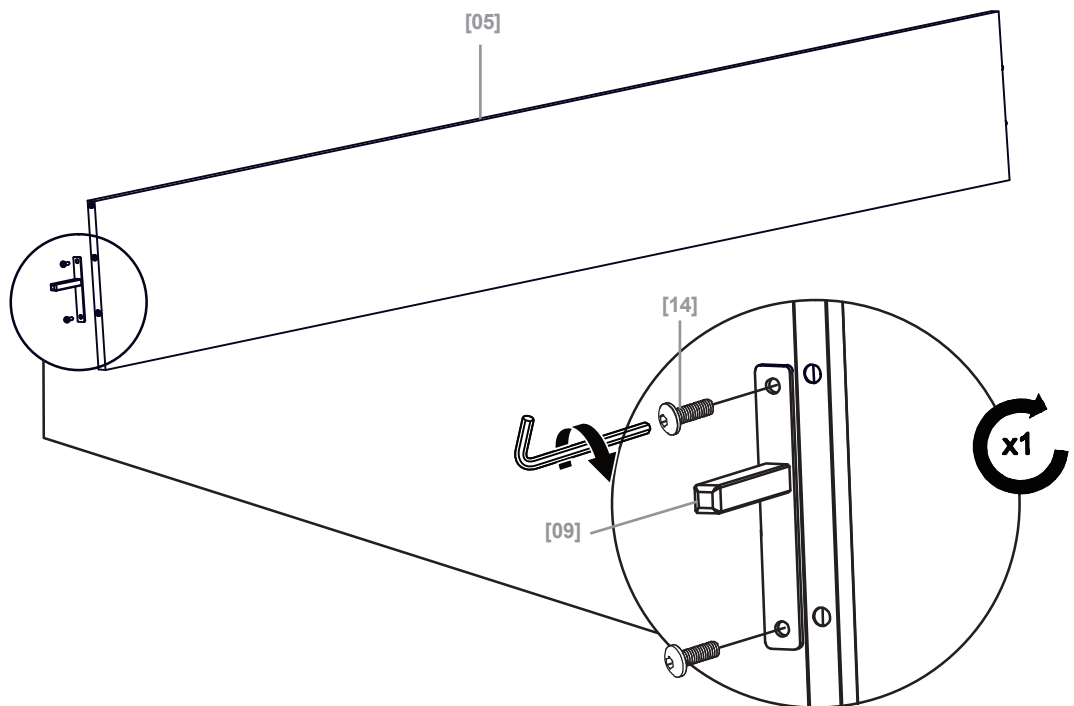
[05] x 1



[09] x 1



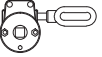
[14] x 2



# 03



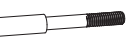
[02] x 1



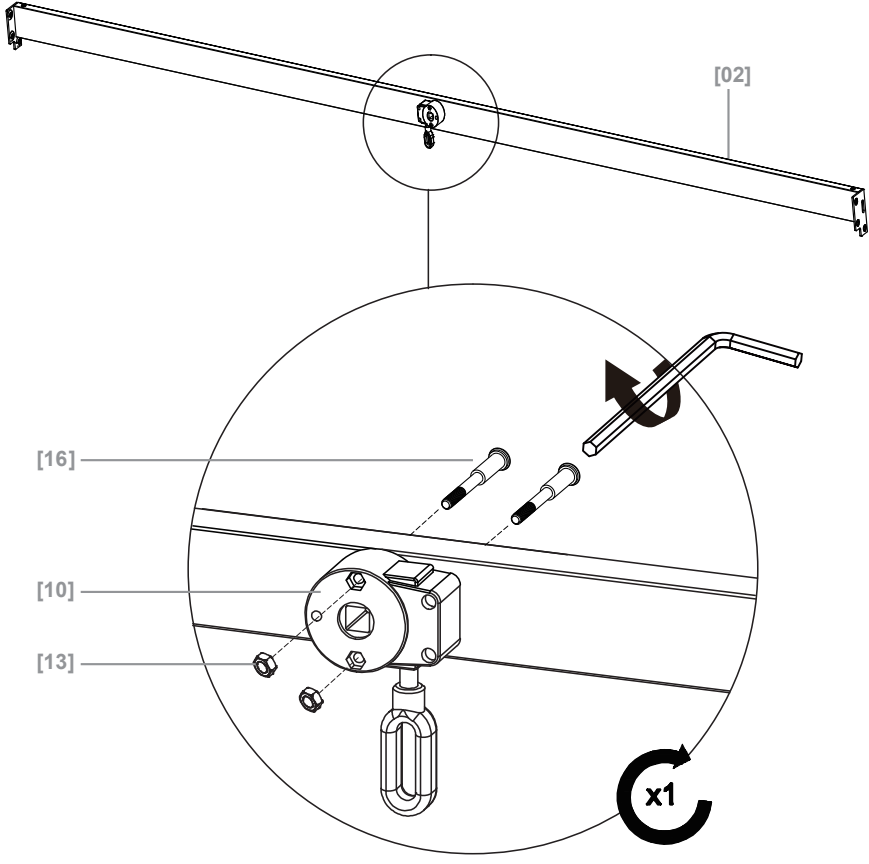
[10] x 1



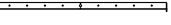
[13] x 2



[16] x 2



# 04



[02] x 1



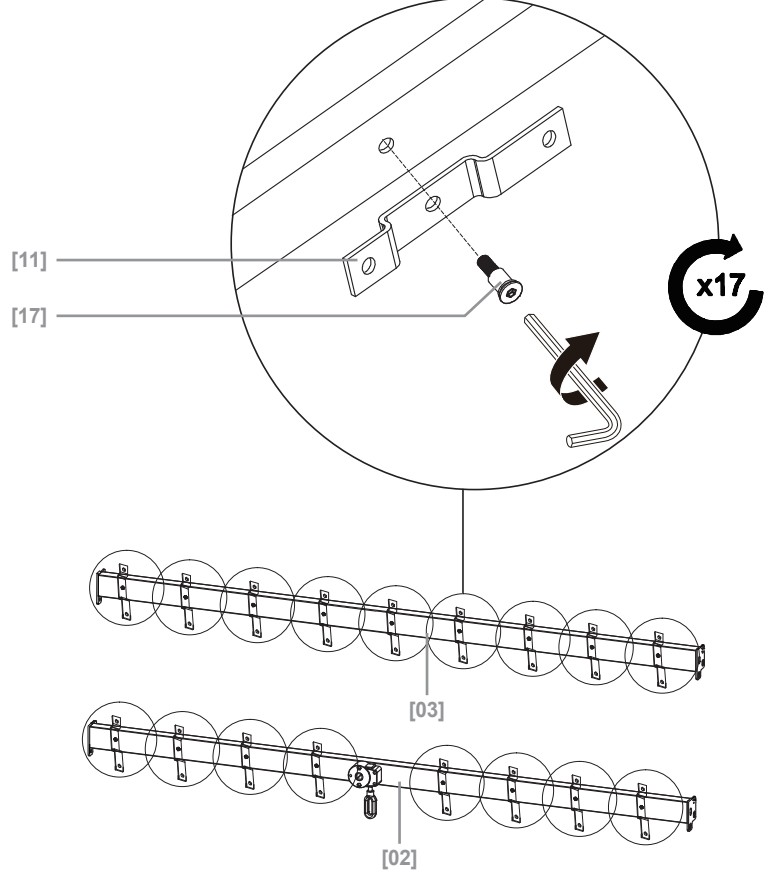
[03] x 1



[11] x 17



[17] x 17



# 05



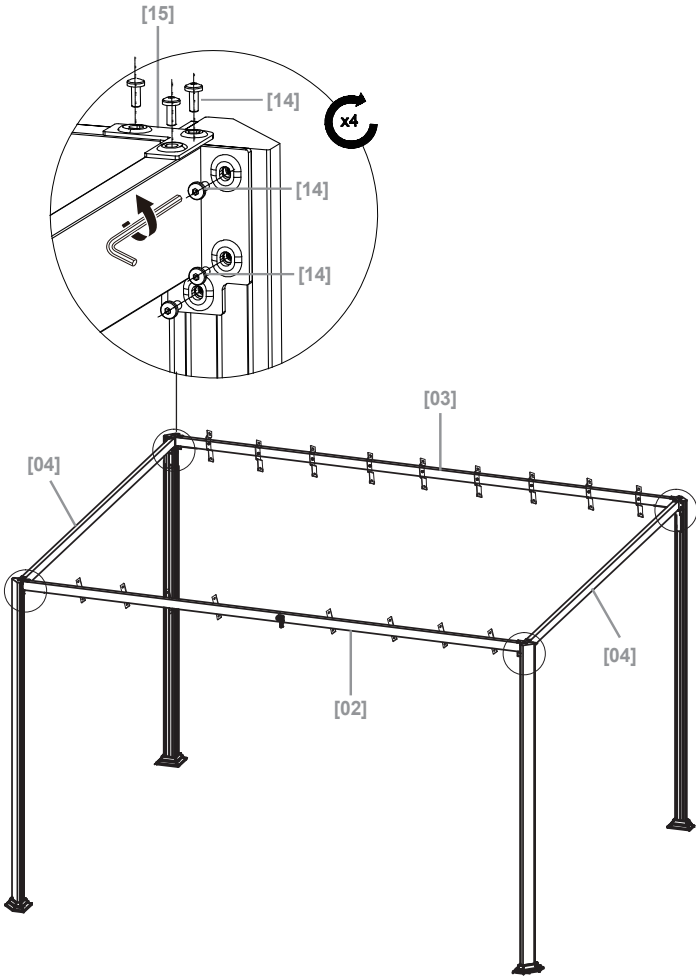
[04] x 2



[14] x 36



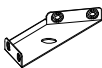
[15] x 4



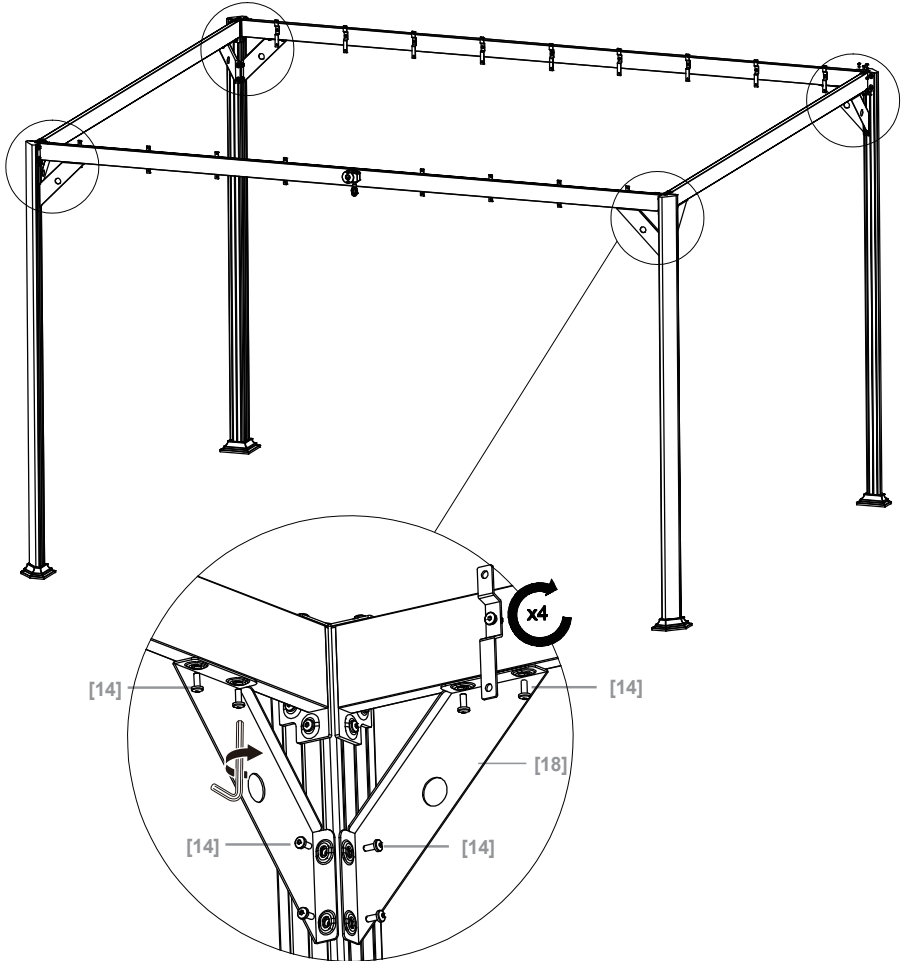
# 06



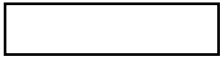
[14] x 32



[18] x 8



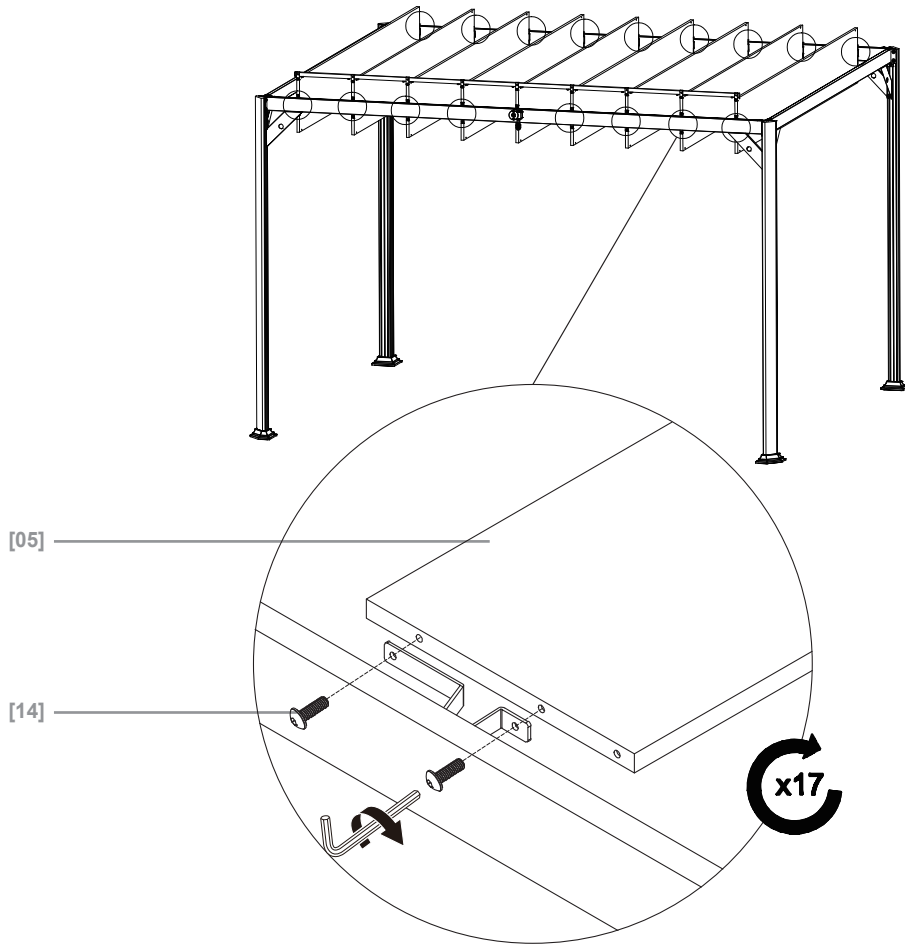
# 07



[05] x 9



[14] x 34



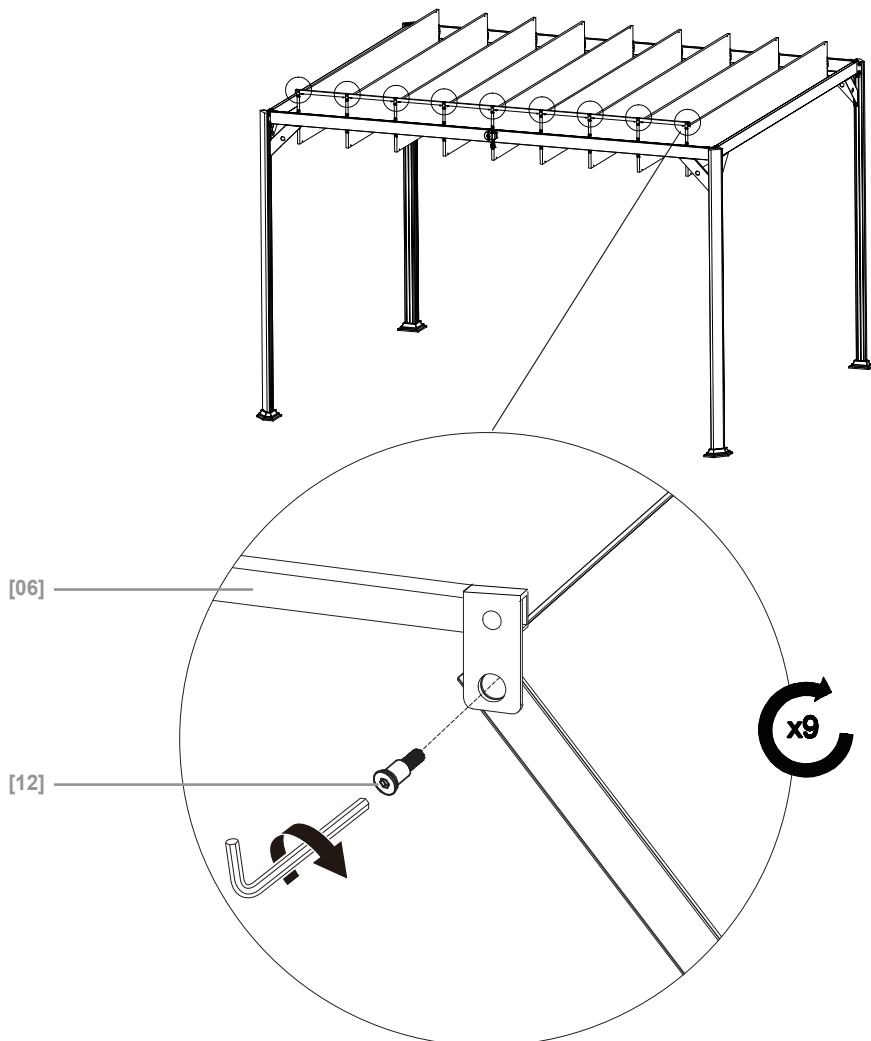
# 08



[06] x 1



[12] x 9



# 09



[07] x 1



[21] x 9

