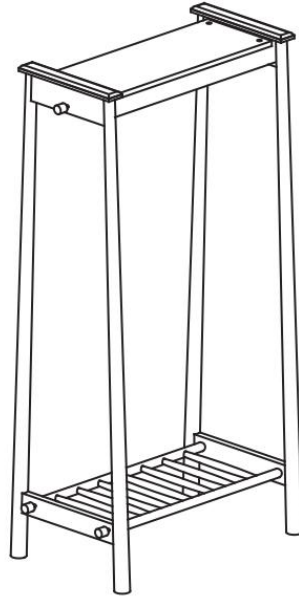


OPEN WARDROBE

5055999205771, 5056263946147

Thank you for purchasing this open wardrobe. Please read the instructions carefully before use to ensure safe and satisfactory operation of this product.



Pre-assembly preparation

Please ensure instructions are read in full before attempting to assemble this product.

Necessary Tools



Please check the pack contents before attempting to assemble this product. A full checklist of components is given in this leaflet. If any components are missing, please contact the retailer from whom you bought this product.




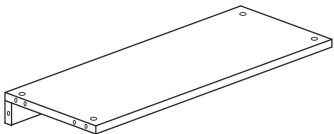
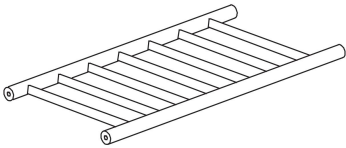
This product is **HEAVY**, it should be assembled as near as possible to the point of use **TAKE CARE WHEN LIFTING** to avoid personal injury and (or) damage to the product.

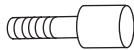

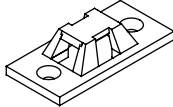
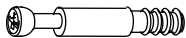

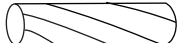
This product takes approximately 60 **MINUTES** to assemble with 2 **PEOPLE**.

The fittings pack contains **SMALL ITEMS** which should be **KEPT AWAY FROM YOUNG CHILDREN**.

Read this leaflet in full before commencing assembly.

Fittings and parts checklist

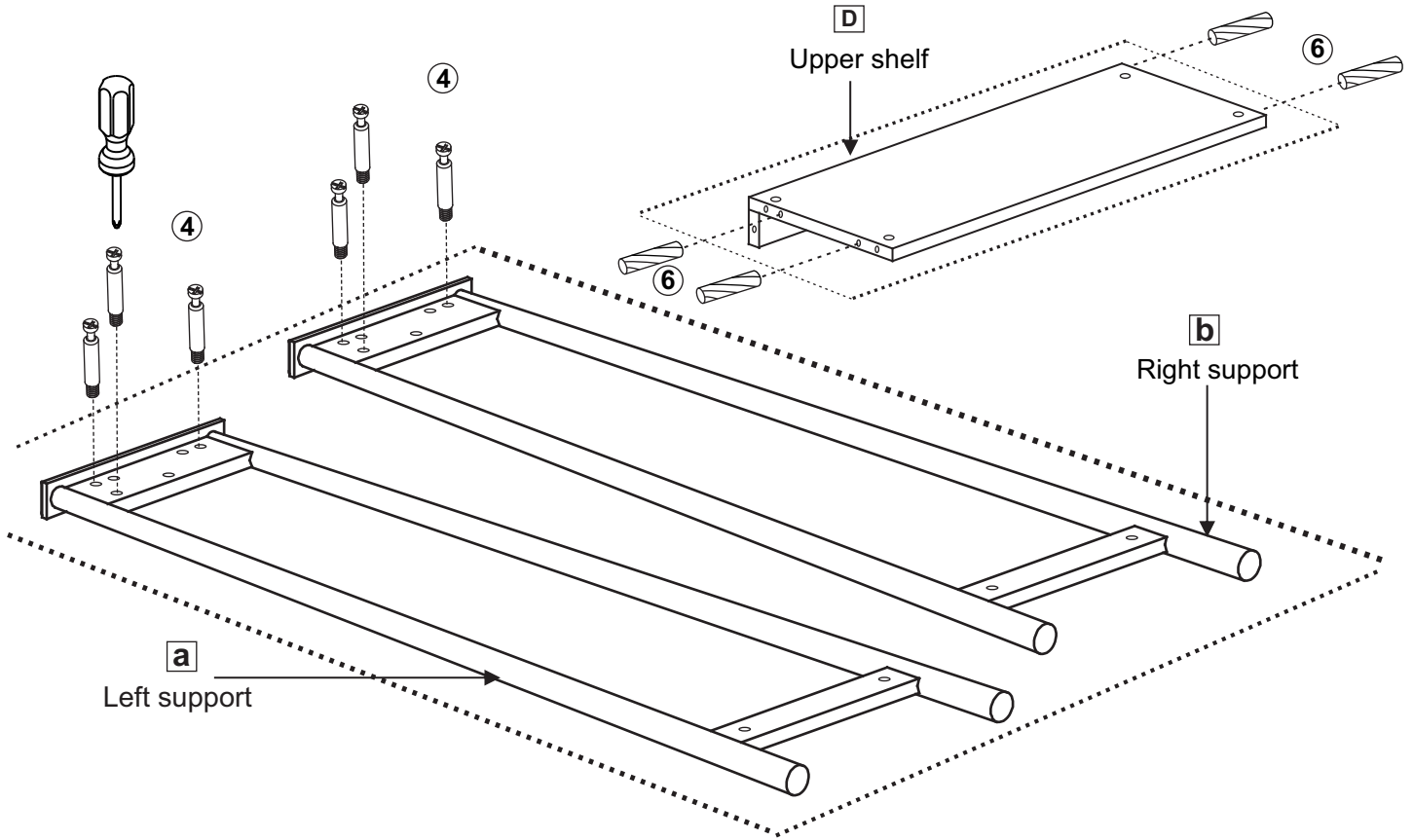
Part	Description	Qty
A	Left support 	1
B	Right support 	1
C	Bar 	1
D	Upper Shelf 	1
E	Shelf 	1

Fixing	Description	Qty
1	Wood screw 	6
2	Wall strap 	2
3	Wall plate 	2
4	Cam pillar 	6
5	Cam 	6
6	Wooden dowel 30 mm 	4

Step by step assembly instructions

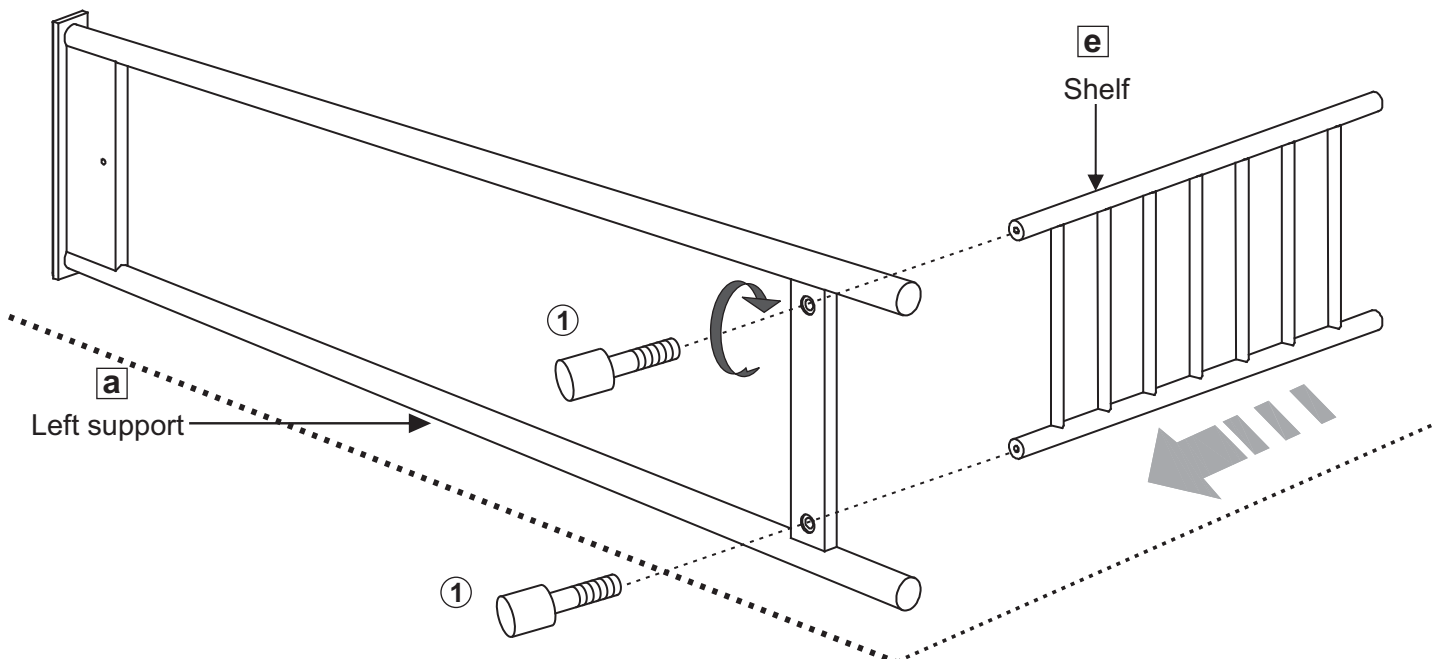
Step 1

Insert Cam pillar ④ into pre-drilled holes by using a phillips head screwdriver.
Insert Wood dowel ⑥ into pre-drilled holes on the Upper shelf [D].



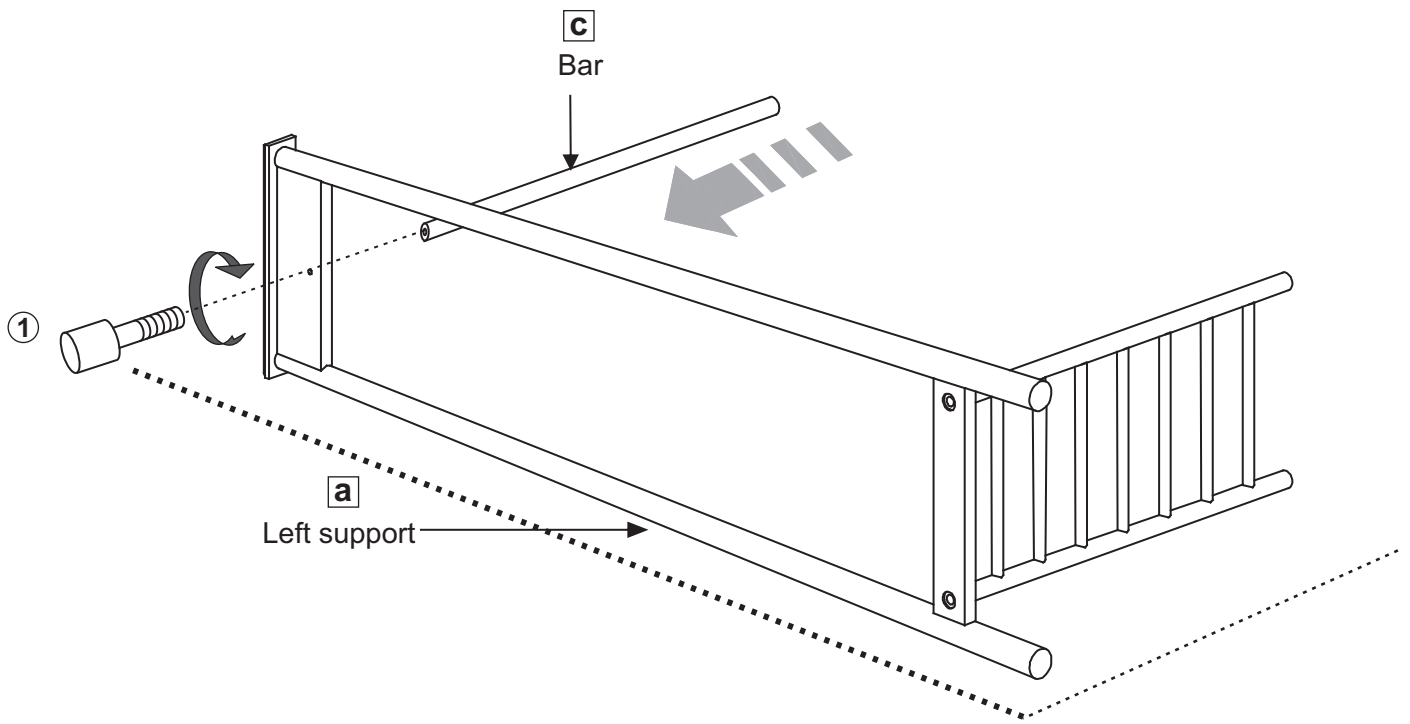
Step 2

Attach Left support [A] onto the Shelf [E] using Wood Screw ①.



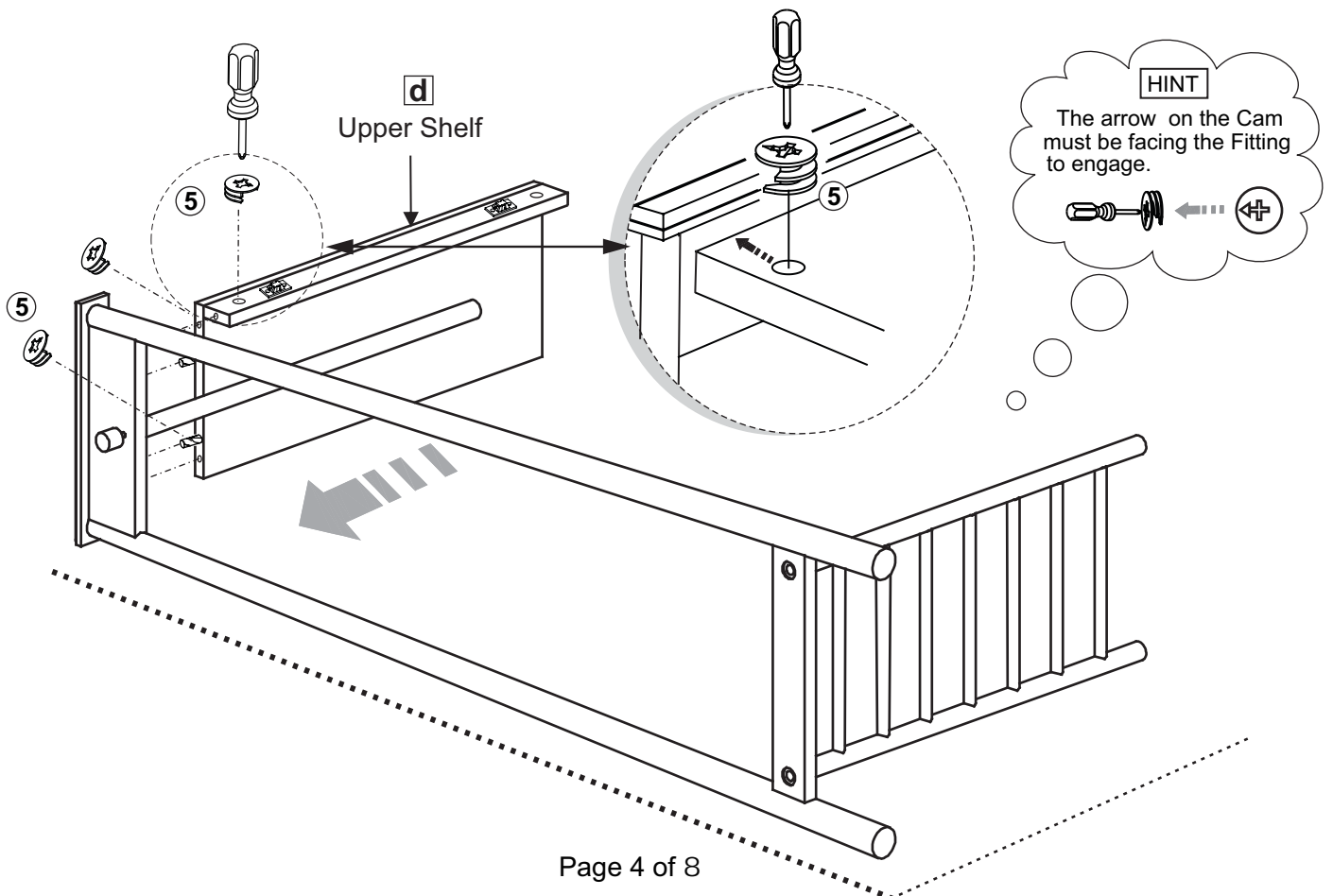
Step 3

Insert Bar **C** onto the Left support **A** using Wood screw **1**



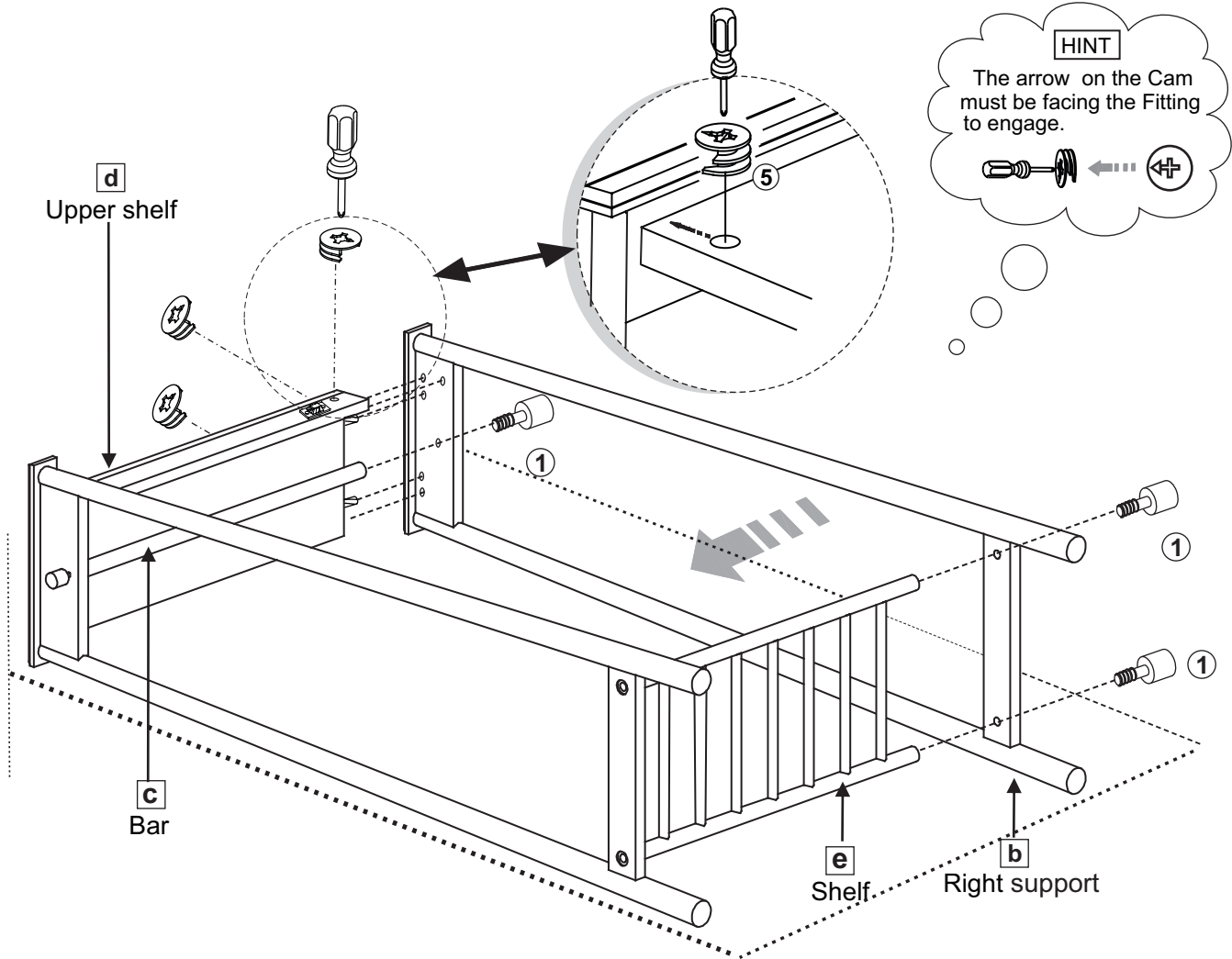
Step 4

Connect Upper shelf **D** to the Left support **A** using Cam **5** and a phillips head screwdriver, as shown in the figure.

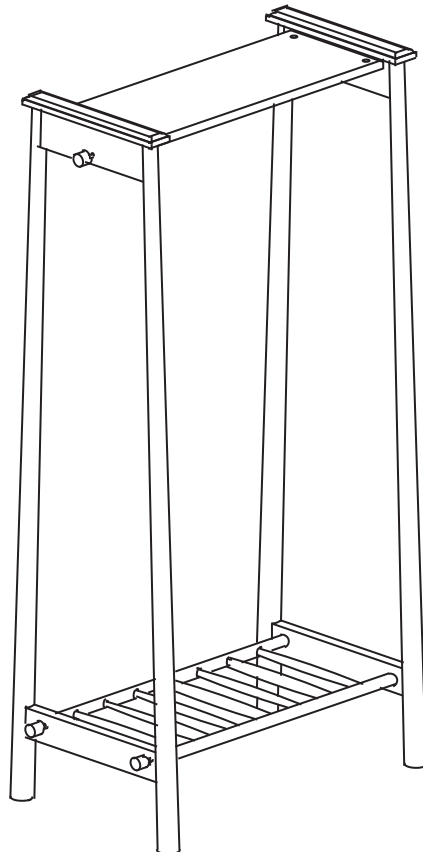


Step 5

Attach Right support **B** into the Upper shelf **D** using Cam **5** and a phillips head screwdriver,
And Attach Right support **B** into the Shelf **E**, Bar **C** using Wood screw **1**



Assembly is complete.



Care and Maintenance

How to care for your wood furniture

Please do not use abrasive cleaners or silicone-based products on your product as this may damage to product surface, a soft natural Beeswax is recommended, follow the instructions supplied or printed on the container.

A soft cloth should be used for cleaning we do not recommend the yellow duster type as these can leave fibers on the surface.

Always use mats and coasters with cork/felt backing when placing hot items onto the surface of your product. Avoid mats and coasters with plastic/rubber backs/feet they can leave un-reversible marks on your furniture surface over time.

Never use sharp items on the surface of the product; knives and utensils may damage the timber. It is advisable to place a mat under paper when writing

Never overload an item such as a shelf that may be beyond what the shelf is reasonably expected to hold.

Any liquid spilled onto the item should be cleaned up immediately using an absorbent cloth. Please ensure the surface is completely dry.

Please do not sit or place an amount of weight onto the edge of a tabletop as this may cause the table to tip.

Never attempt to lift heavy furniture on your own, always seek assistance and where ever possible please dismantle any heavy items before moving them to a new location.

Please periodically tighten bolts and screws on all self-assembly items, as these may work loose over time.

Your furniture will endure most temperatures in your home, but it is recommended that placing it next to a heat source such as a fire or radiator is avoided. This is particularly recommended with solid timbers as the heat may cause the timber to warp, crack or split.

“When cared for properly, this hand crafted furniture will provide you with years of enjoyment in your home.”

Understanding your Furniture Purchase – After Care Advice

Timber Characteristics

Timber is a natural product and will have small knots, burrs and inconsistent grains. These occur when the tree grows in the forest, and may still be visible in even the most meticulously selected timber - This should not be seen as a blemish but the proof of the highly individual nature of this fine material.

Wood displays different grain patterns depending on which way they are cut - for example, quarter sawn timbers (See image) can enhance the natural characteristics of the grain and show off the 'medullary ray'. The 'medullary ray' which can appear in oak furniture is a mark of good quality timber - these are just characteristics of the natural beauty of the wood.

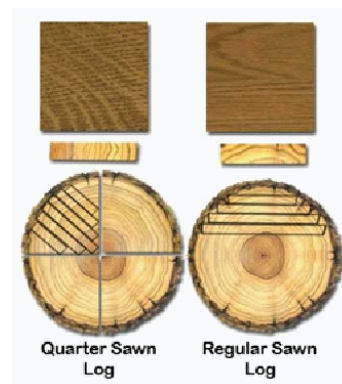
Timber will continue to expand and contract throughout the year and will acclimatise to its surroundings; slight movement between panels and hairline cracks within the grain will occur. This is totally natural and is expected from a natural material such as timber e.g. hairline cracks in the grooves or slight movement in panels or tenon joints are a commonplace.

All timber surfaces will change colour and mellow over time. New furniture will initially vary in shade from items that have been previously purchased with the same finish. Colour variance between solids and veneers may be visible; every effort is made to reduce this variance in the manufacturing process.

Some furniture may use filler to reduce visibility of joint lines and knots. This is all part of the manufacturing process to assure the highest visual finish to your furniture.

Furniture finishes can vary, some ranges of furniture may require an antiqued look. The surface of this Timber will be purposely dented, scratched and left rough; this completes the look of the furniture and adds another completely unique element to your furniture.

Each piece of furniture is unique and will not be identical to the rest of the pieces in the range. Not one piece of timber is the same; it's your own personal piece.



Safety Instructions

Never drag furniture when moving it, always lift it.

Periodically check all fixings to ensure none have come loose and re-tighten where necessary.

Please take care when handling or moving the furniture as careless handling may cause damage or injury.

Furniture can be dangerous if incorrectly installed. Assembly should be carried out by a competent person. No liability will be accepted for damage or injury cause by incorrectly installed or assembled furniture.

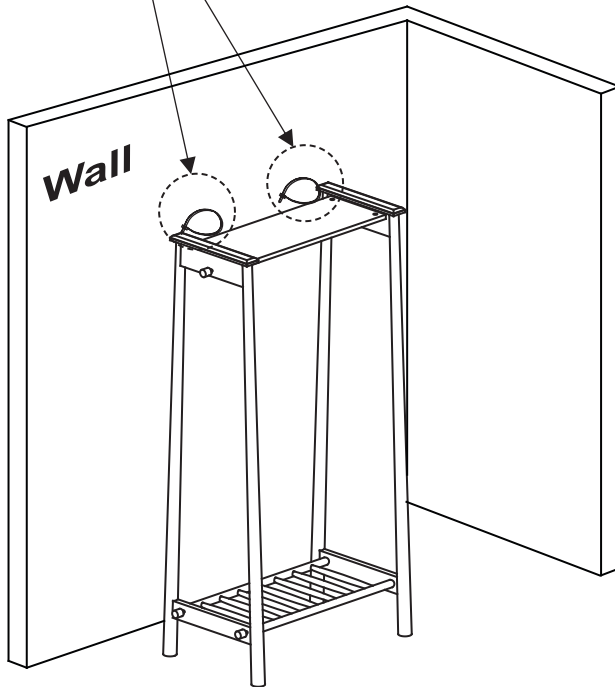
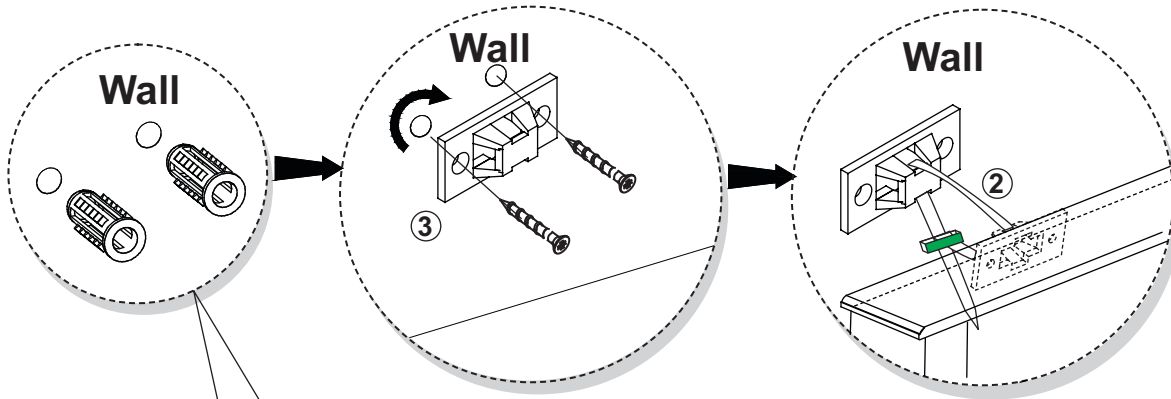
It is recommended that before moving heavy objects to a new location they are completely dis-assembled to avoid personal injury or damage to the furniture. Please be careful to retain all fittings when doing this

PLEASE KEEP THESE INSTRUCTIONS FOR FUTURE REFERENCE

WALL FIXING INSTRUCTION

SECURING YOUR FURNITURE TO THE WALL

Fix the other end of straps ② to the wall using appropriate wall fixings. Check for water pipes and electrical wiring before drilling. If in doubt seek professional help.



“ IMPORTANT ”

Wall fixings are not supplied.
Please secure the unit to your
wall using the appropriate fixings
for your wall type.

We recommend you attach this anti tip-kit to your piece of furniture. Securing your furniture to the wall with this kit could prevent injury/property damage from unexpected tipping furniture.

To secure Furniture Cabinet to wall

1. Choose and mark location of fixing onto the wall, should be approximately 10mm below the top of the furniture surface.
2. Screw the strap provided onto the wall at located position. (Screw not included) seek professional advice in unsure of wall construction.
3. Screw fixing to a discrete suitable area at the rear of the unit. (Near the Top) with the screw provided.

Your unit should now be restricted from tipping forward.