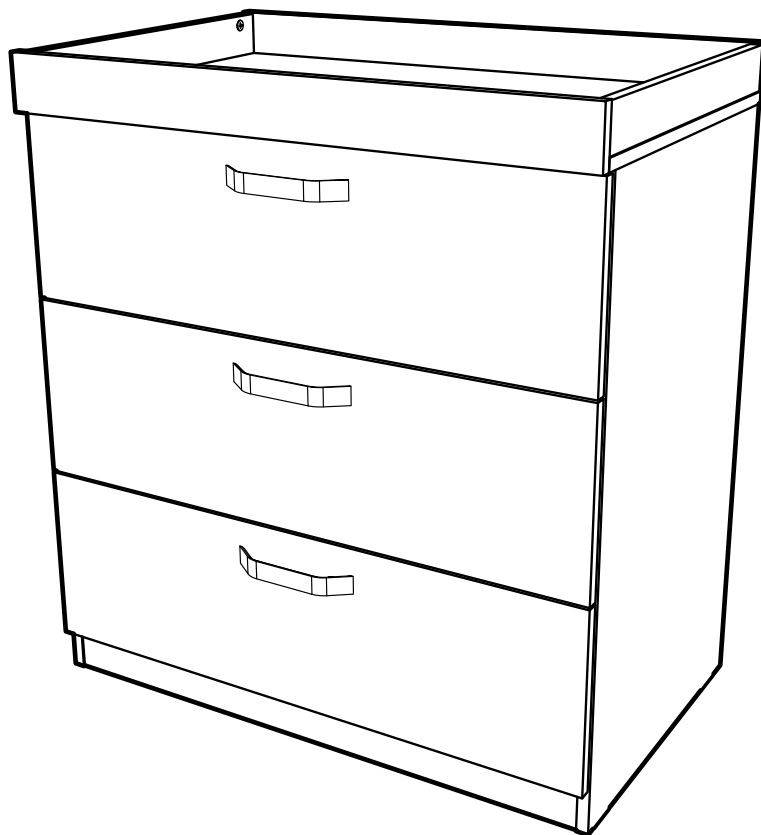




CuddleCo[®]

Designed to care, built to last.

Enzo Dresser Assembly Instructions



**IMPORTANT, PLEASE RETAIN
FOR FUTURE REFERENCE.
PLEASE READ CAREFULLY**

DESIGNED IN THE UK

Safety Warnings

Thank you for choosing Cuddle Co. This changing unit conforms to BS EN 12221:2008+A1:2013 & BS EN 14749:2016. To ensure that your changing is used in accordance with these instructions, please read them fully.

Your child's safety may be affected if you do not follow these instructions.

Assembly should be carried out by a competent adult only.

WARNING: Installation shall be carried out exactly according to the manufacturers instructions –otherwise a safety risk can occur if incorrectly installed.

WARNING: Do not leave the child unattended.

WARNING: In order to prevent tipping this product must be used with the wall attachment devices provided. Serious or fatal crushing injuries can occur from furniture tipping over.

- The changing unit must be used on a level and stable surface.
- Never move the changing unit with the child on it.
- Be aware of the risk of open fire and other sources of heat, such as electric bar fires, gas fires, etc. in the near vicinity of the changing unit.
- Do not use the dresser if any part is broken or missing. Use only spare parts approved by the manufacturer.
- We recommend you use a changing mat with maximum dimension of 80 cm x49cm , placing the mat evenly inside the changing unit.
- The changing Surface is designed for use from birth until 12 months, max weight 11 kg.
- All assembly fittings should be tightened properly and care should be taken to ensure that no screws are loose, as a child could trap parts of the body, or clothing (e.g. ribbons, drawstrings, necklaces) this could lead to strangulation.
- Regularly check that all fittings and components of the dresser are fully tightened and in working order.
- Wood is a natural material, the colour will darken with age.
- During assembly children should be kept away from the product due to possible risk of injury.
- This product is not designed to be disassembled once built.
- This product is suitable for children aged 3-12 years

ROUTINE CARE & MAINTENANCE

- For cleaning, use only a mild detergent and warm water.
- DO NOT USE BLEACH.
- DO NOT USE any abrasive substances.
- Take care when handling or moving furniture, careless handling can damage wooden furniture.

Due to constant updating and improvements, some components may occasionally differ slightly from the images shown in these instructions. We reserve the rights to change the specifications of any products without prior notice. If you need any assistance please contact your Cuddle Co. retailer from whom you purchased your product, who will take appropriate action.



IN ORDER TO PREVENT TIPPING THIS PRODUCT MUST BE USED WITH THE WALL ATTACHMENT DEVICES PROVIDED.

Serious or fatal crushing injuries can occur from furniture tipping over. To help prevent tipping:

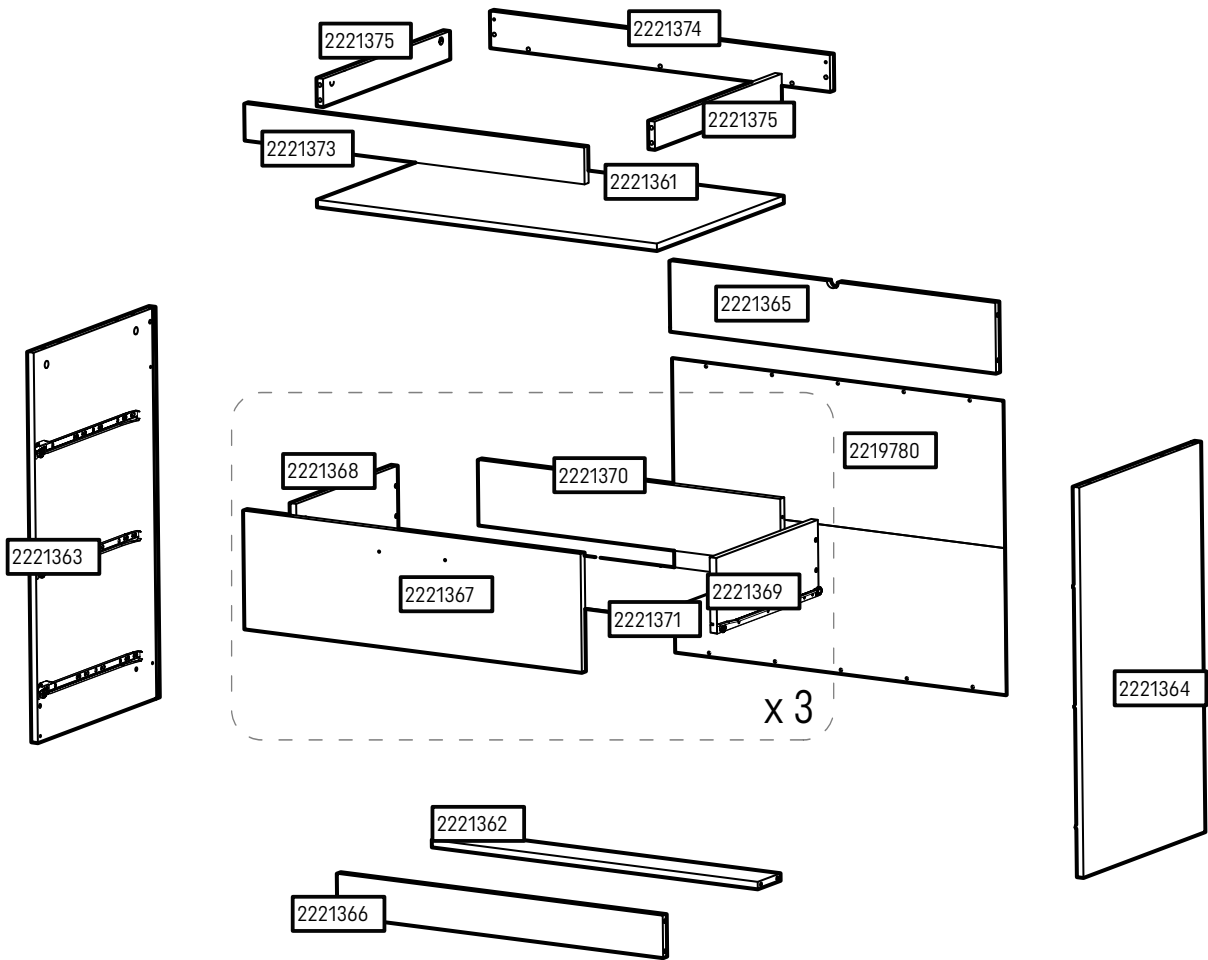
- Use the wall attachment devices provided
- Never allow children to climb or hang on drawers, doors or shelves
- Place heaviest items in the lower drawers or shelves
- Do not set TVs or other heavy objects on top of this product
- Never open more than one drawer at a time



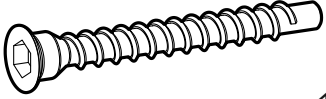
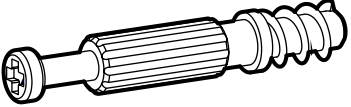
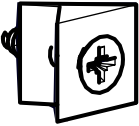
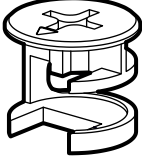
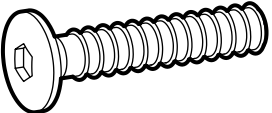
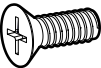
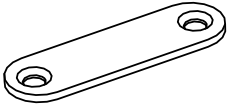

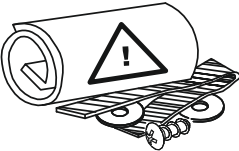

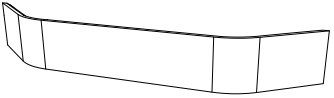
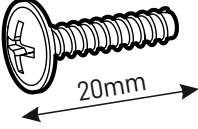
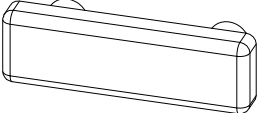
Attachment devices are provided with your product, however you will need to source suitable fixings for your wall type. If in doubt, please consult a qualified tradesperson.

Always ensure the wall to be drilled is free from hidden electrical wires, water and gas pipes.



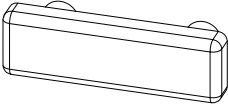
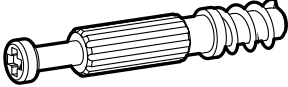
To prevent overloading we recommend the following maximum loads:

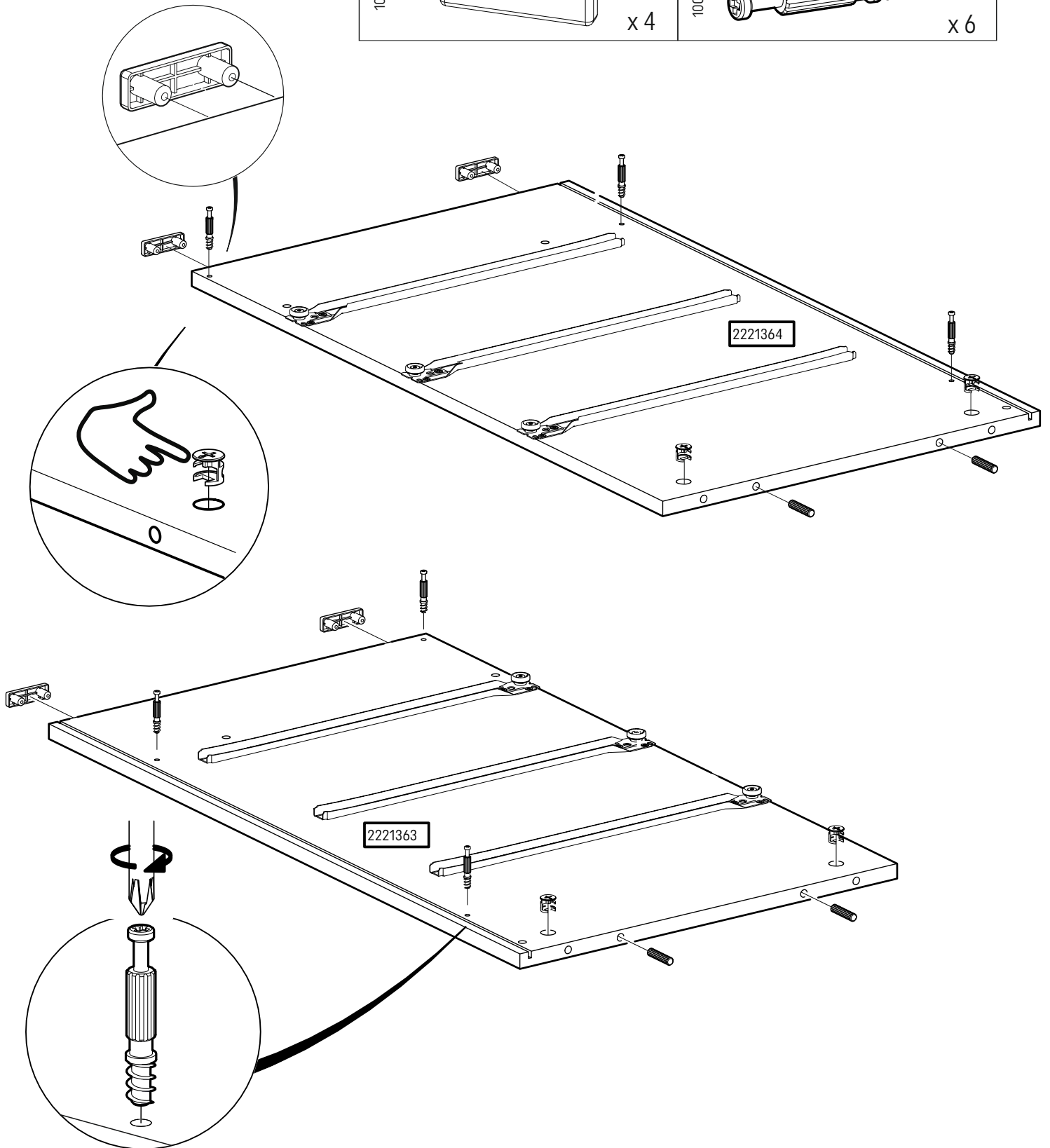
- Top surface: 15kg
- Drawers: 6kg



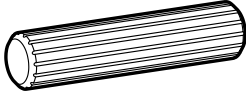
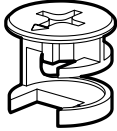
| | | |
|---|---|--|
| <p>1000806</p>  <p>x 1</p> | <p>1005857</p>  <p>x 20</p> | <p>1005876</p>  <p>x 12</p> |
| <p>1006091</p>  <p>x 28</p> | <p>1006022</p>  <p>x 4</p> | <p>1005367</p>  <p>x 28</p> |
| <p>1005727</p>  <p>x 3</p> | <p>1115207</p>  <p>x 4</p> | <p>1001786</p>  <p>x 2</p> |
| <p>1002152</p>  <p>x 3</p> | <p>1000893</p>  <p>x 1</p> | <p>1006012</p>  <p>x 31</p> |
| <p>1130416</p>  <p>x 3</p> | <p>1005388</p>  <p>x 6</p> | <p>1004831</p>  <p>x 4</p> |

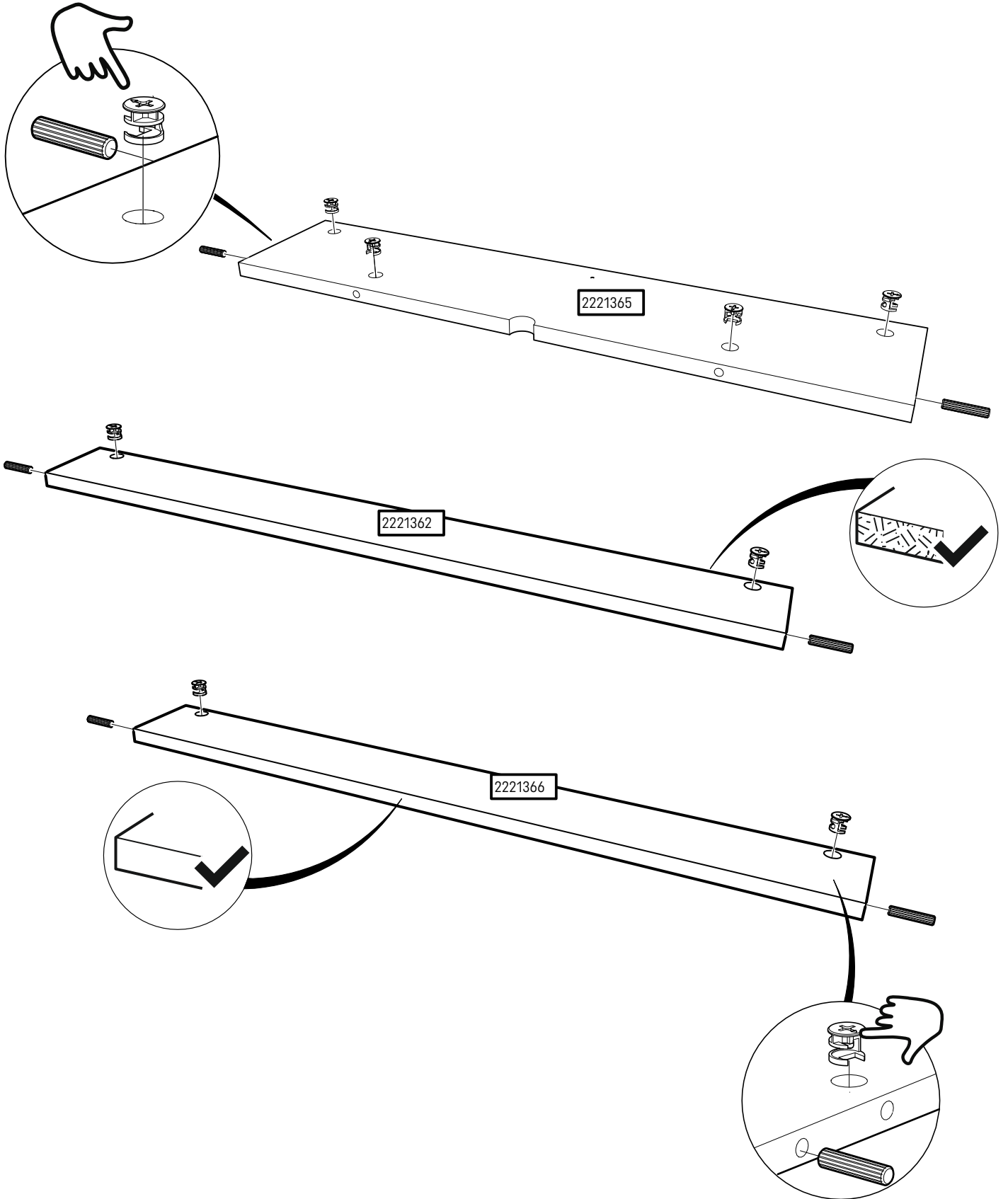
Step 1

| | | | | | |
|---------|---|-----|---------|---|-----|
| 1005857 |  | x 4 | 1005367 |  | x 4 |
| 1004831 |  | x 4 | 1006091 |  | x 6 |

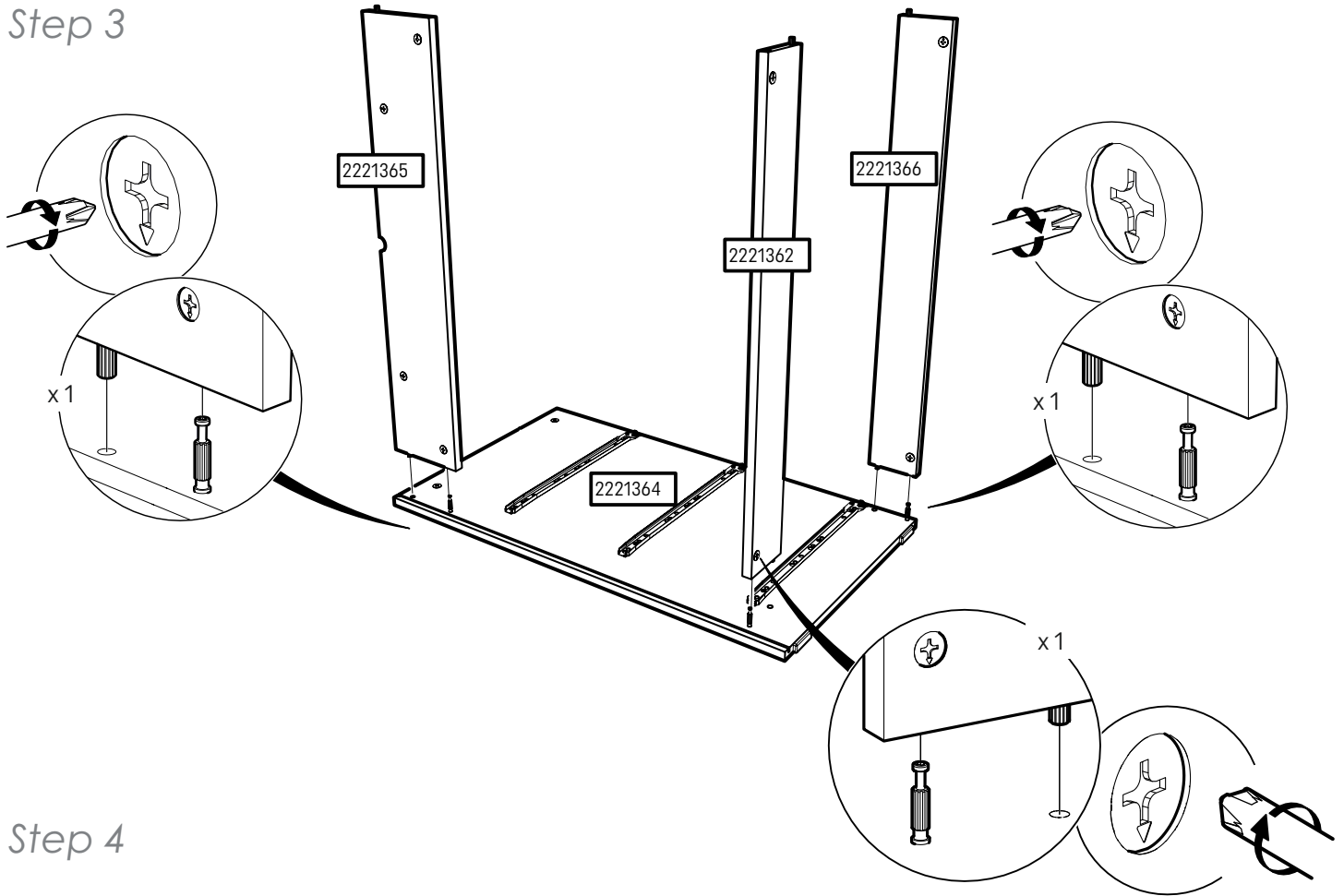


Step 2

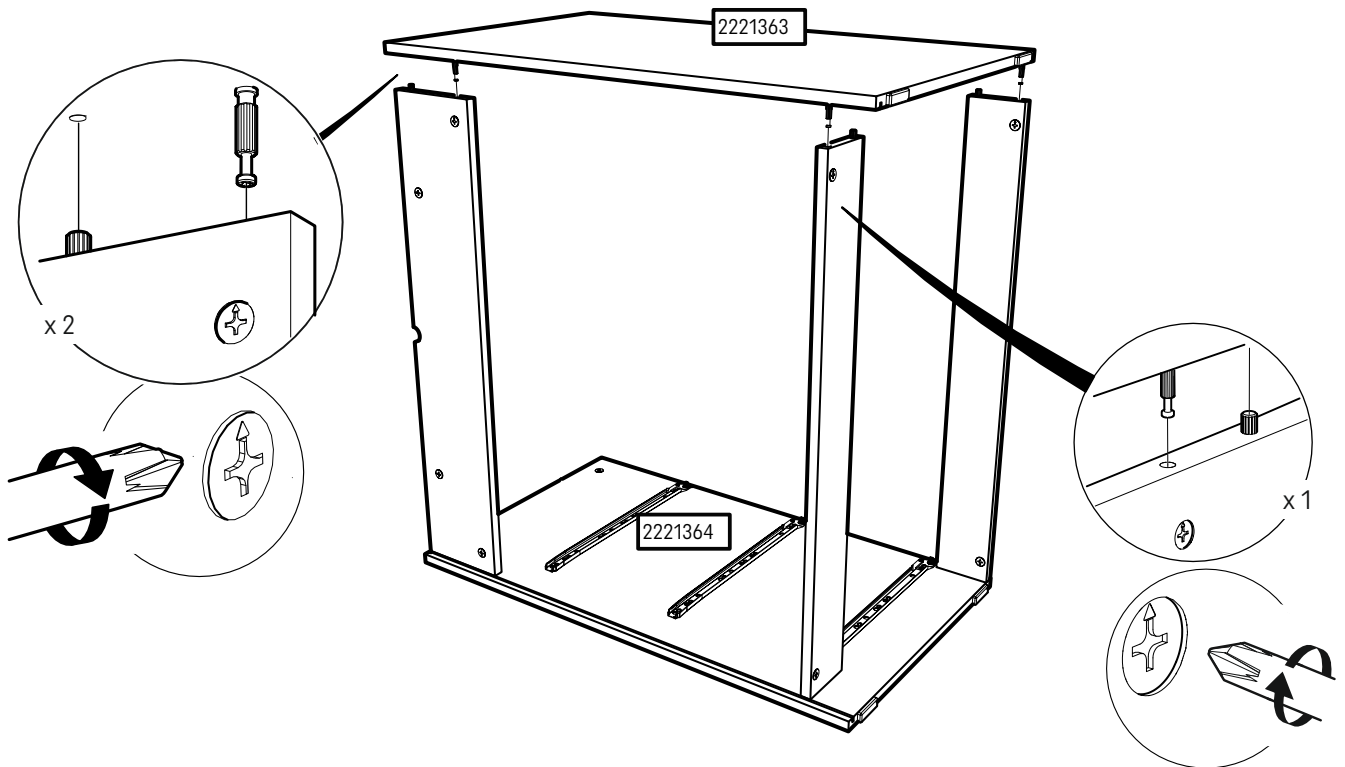
| | | | | | |
|---------|---|-----|---------|---|-----|
| 1005857 |  | x 6 | 1005367 |  | x 8 |
|---------|---|-----|---------|---|-----|



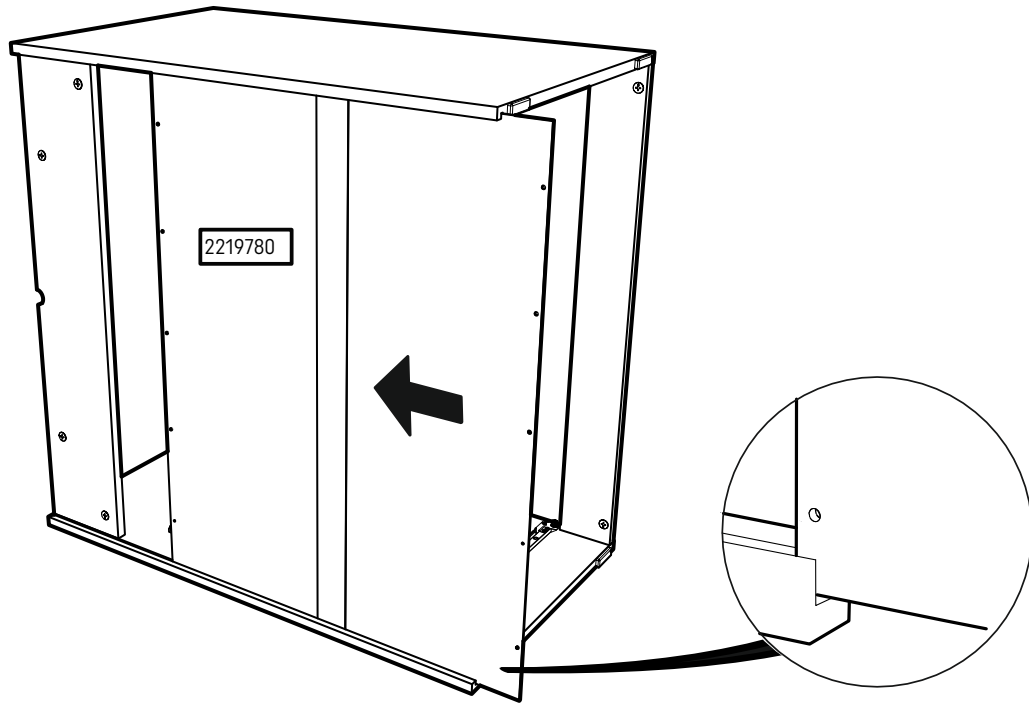
Step 3



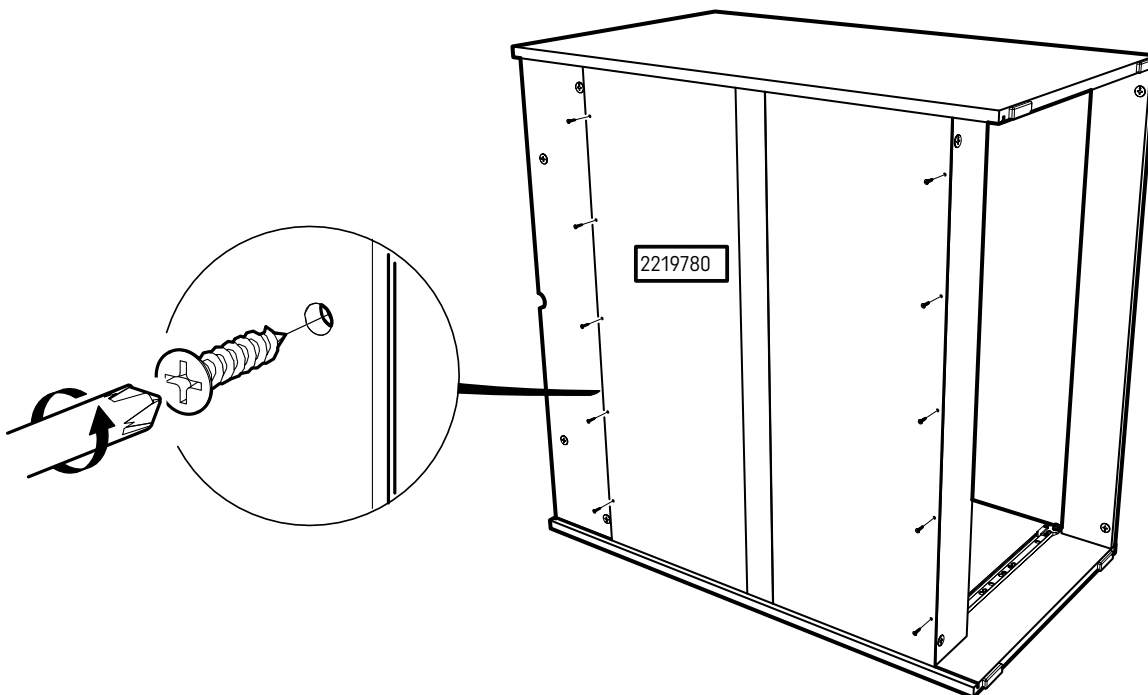
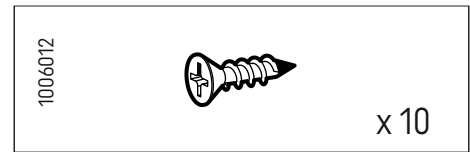
Step 4



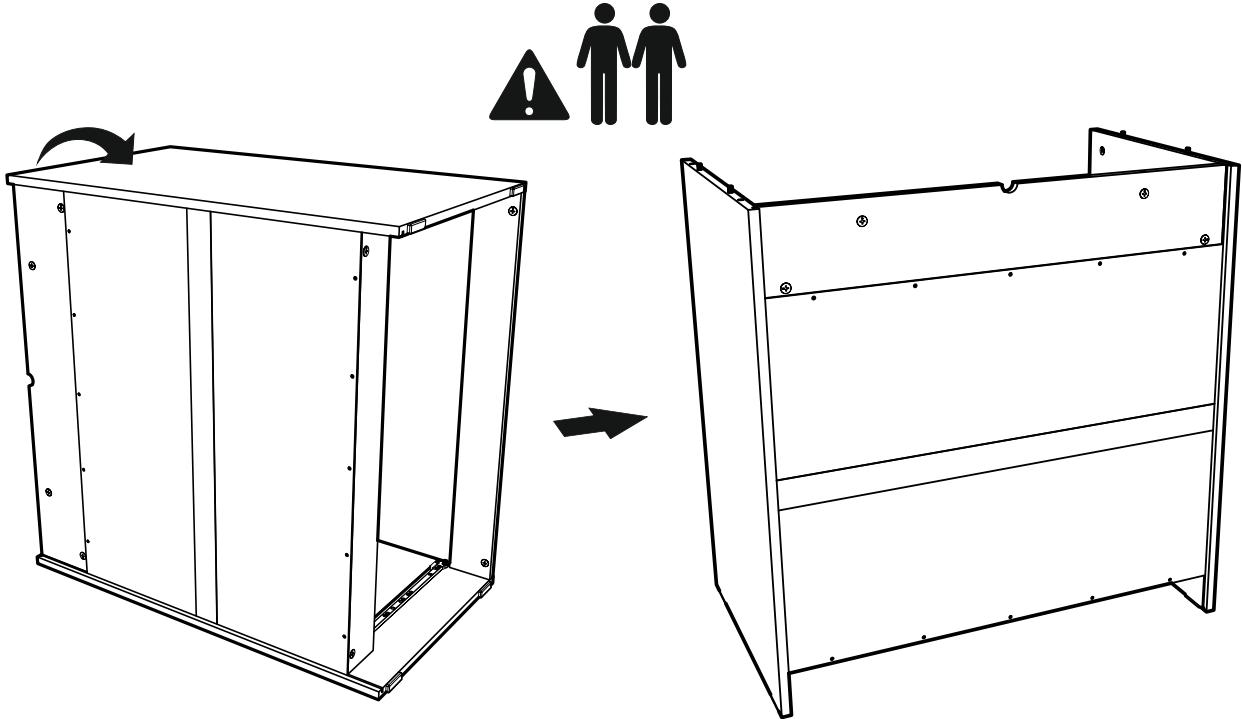
Step 5



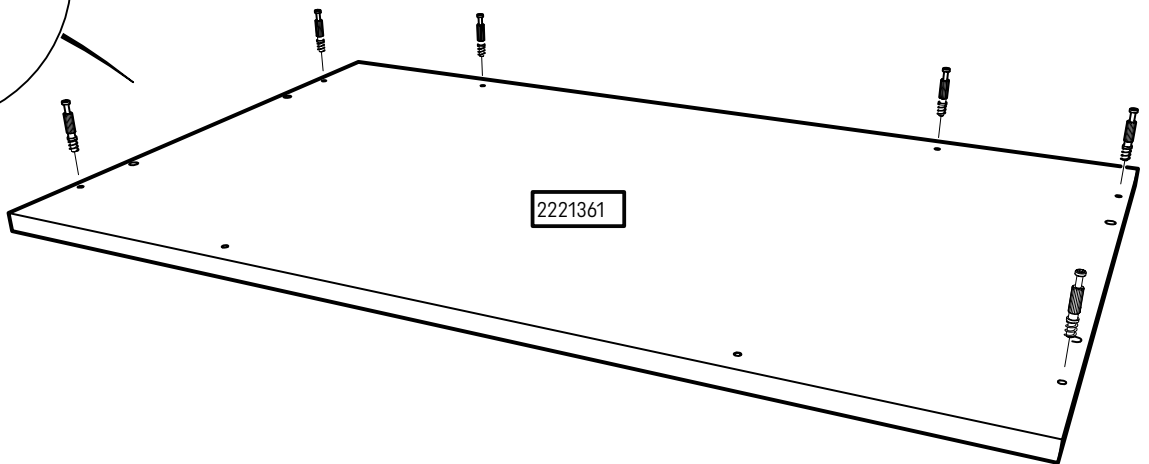
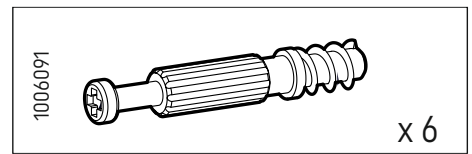
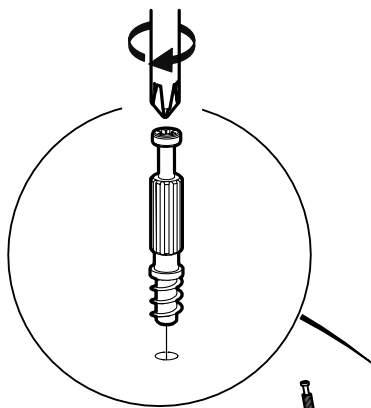
Step 6



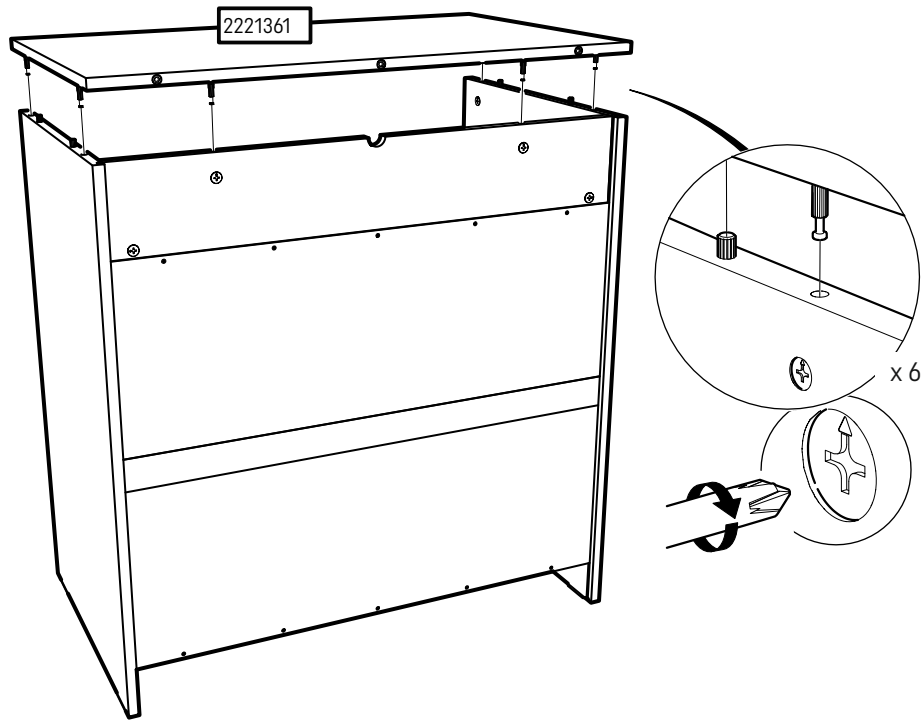
Step 7



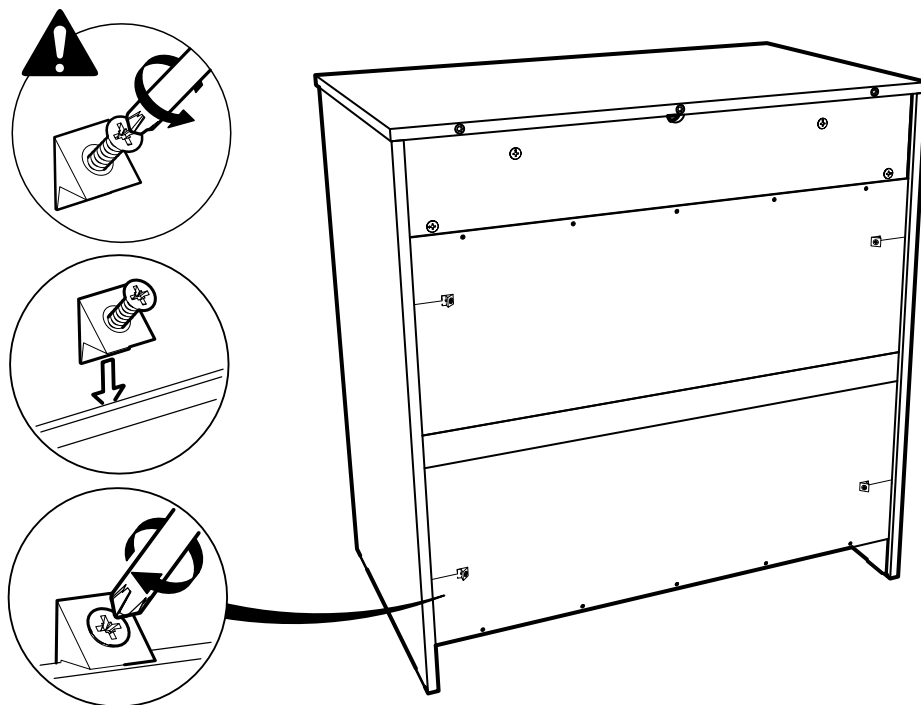
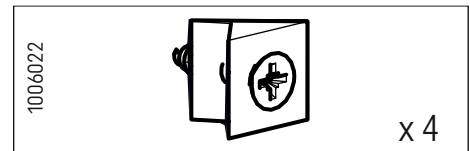
Step 8



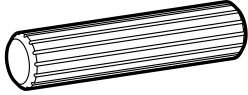

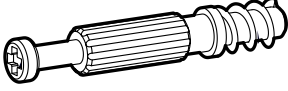
Step 9

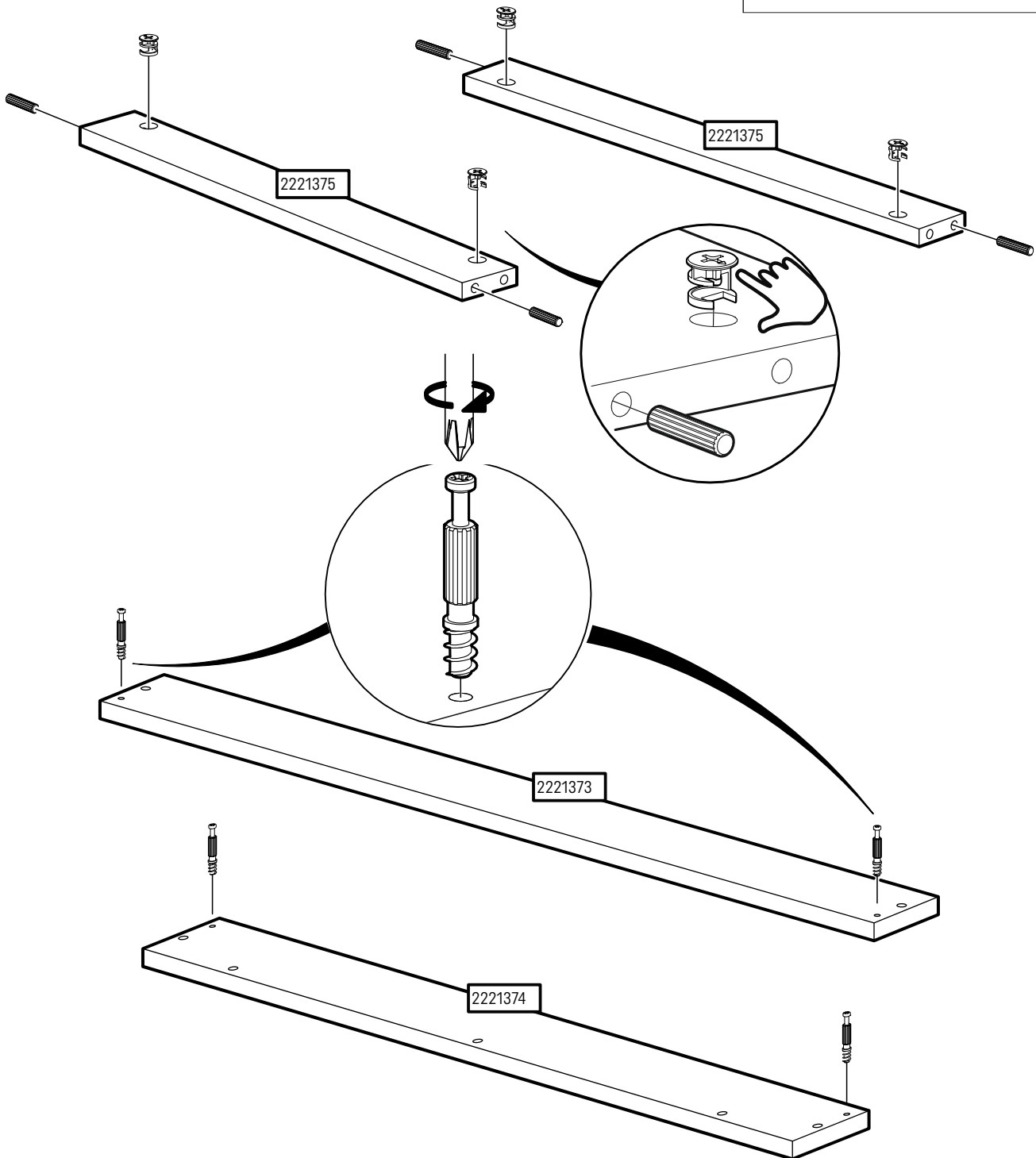


Step 10

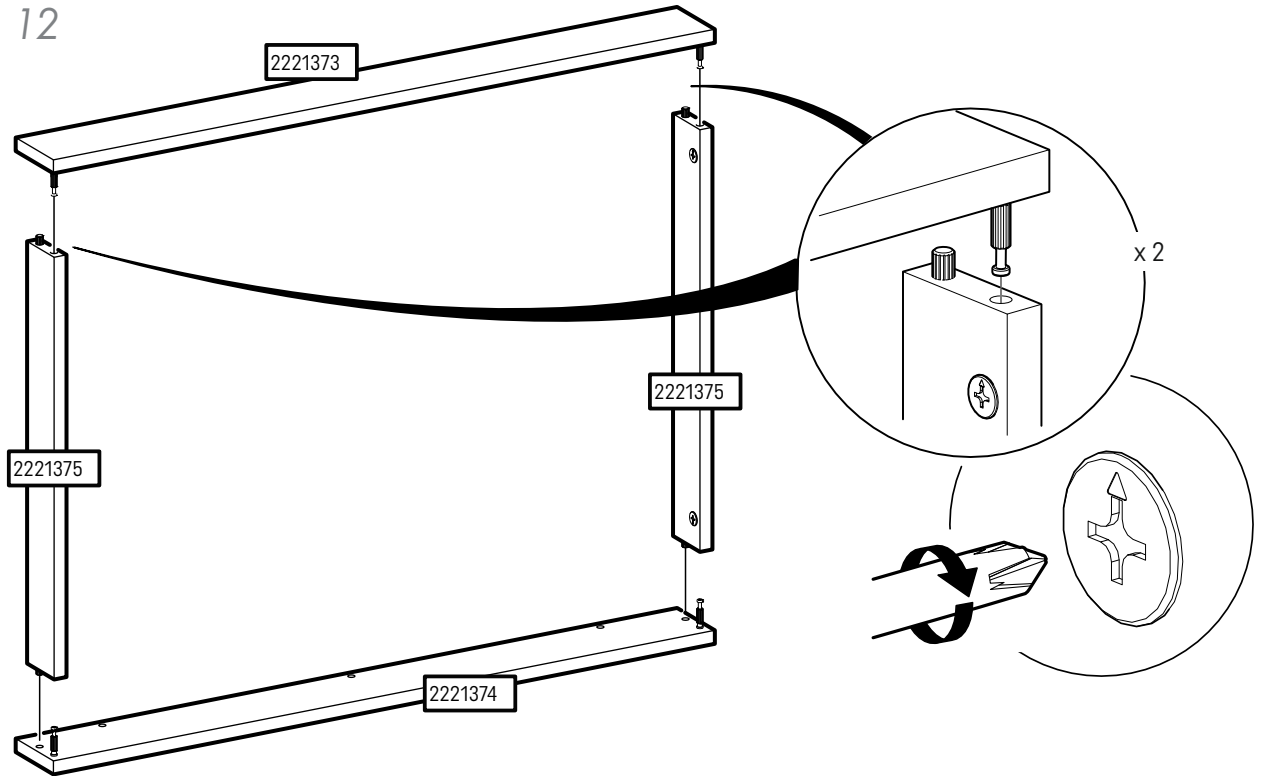


Step 11

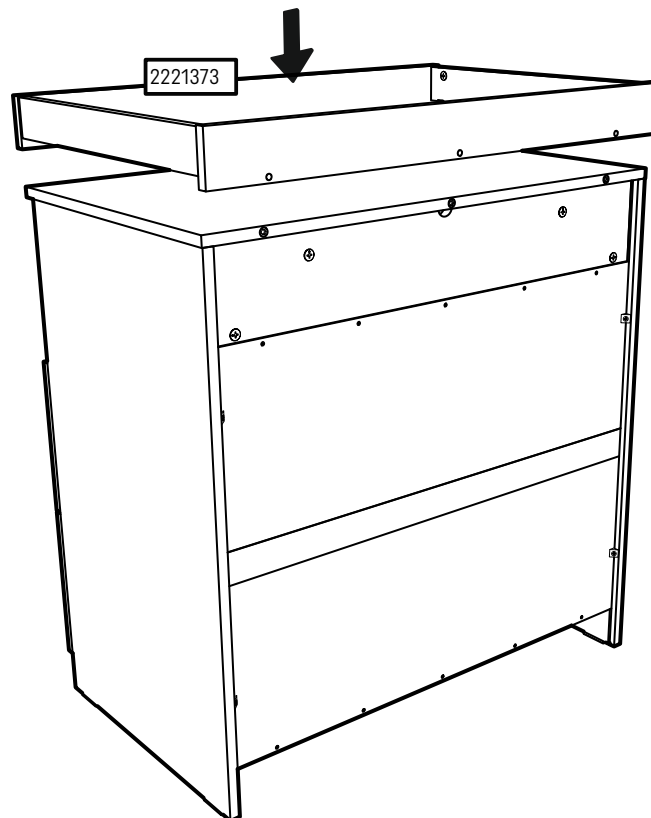
| | |
|---|---|
| <p>1005857</p>  <p>x 4</p> | <p>1005367</p>  <p>x 4</p> |
| <p>1006091</p>  <p>x 4</p> | |



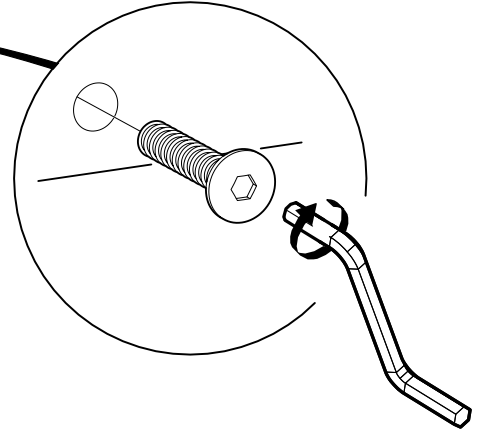
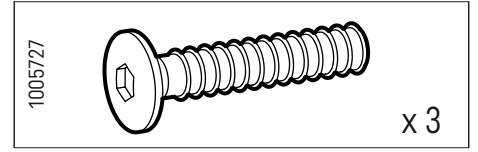
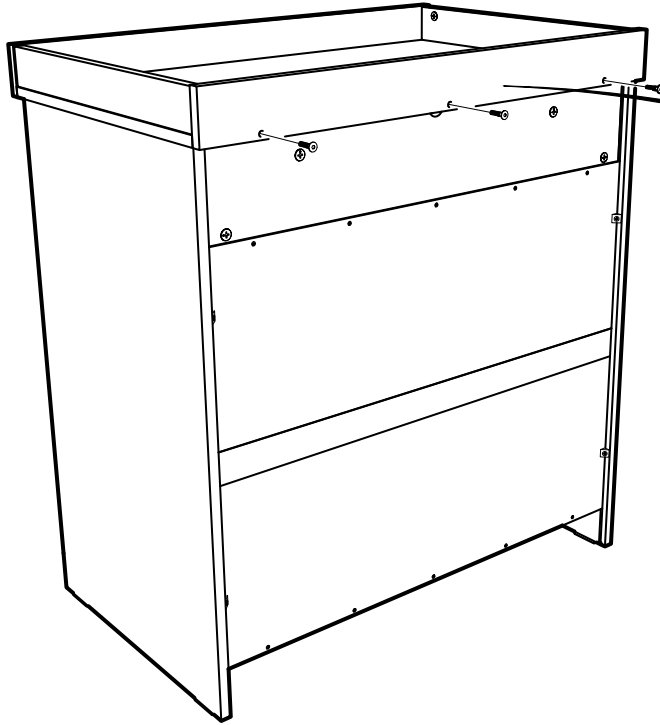
Step 12



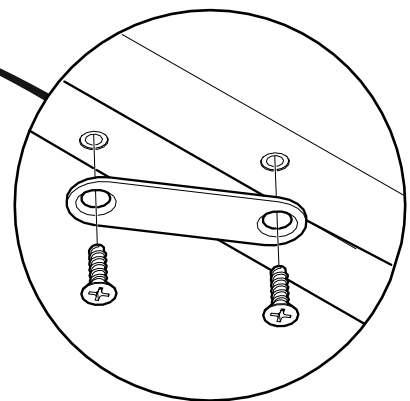
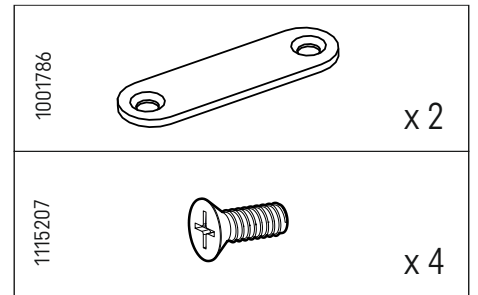
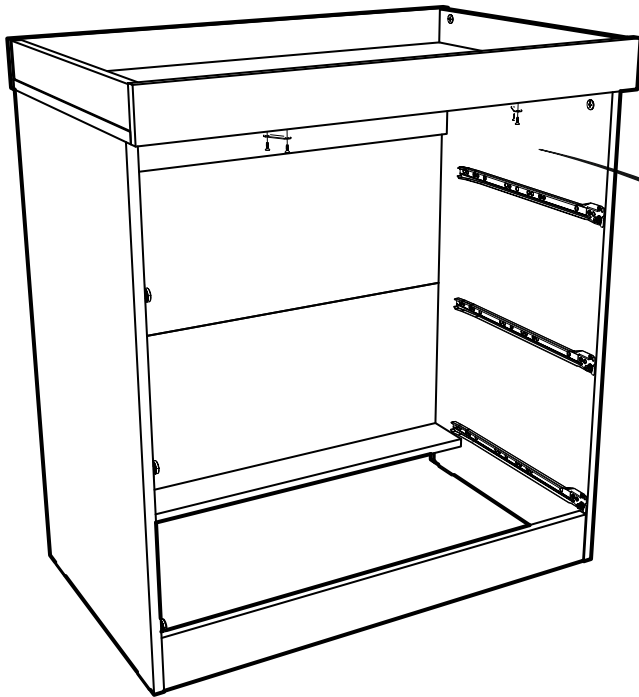
Step 13



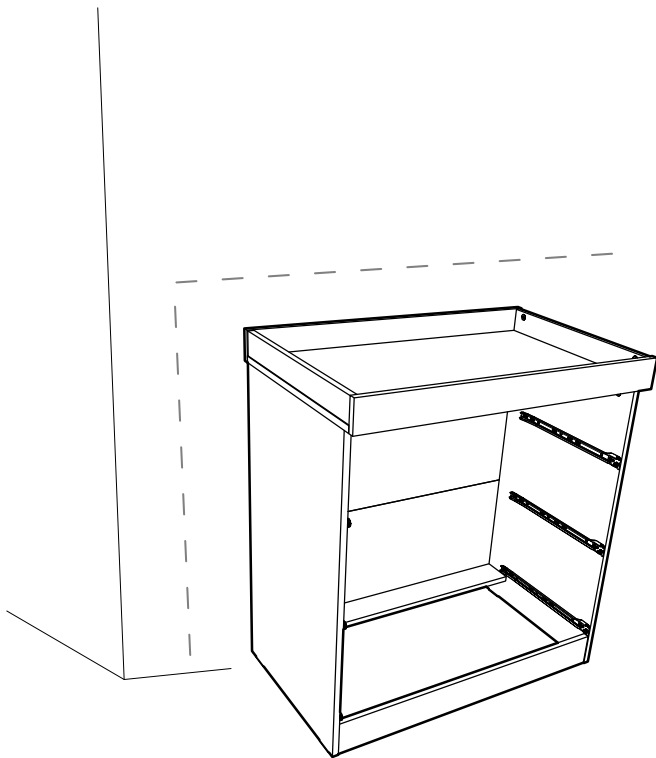
Step 14



Step 15



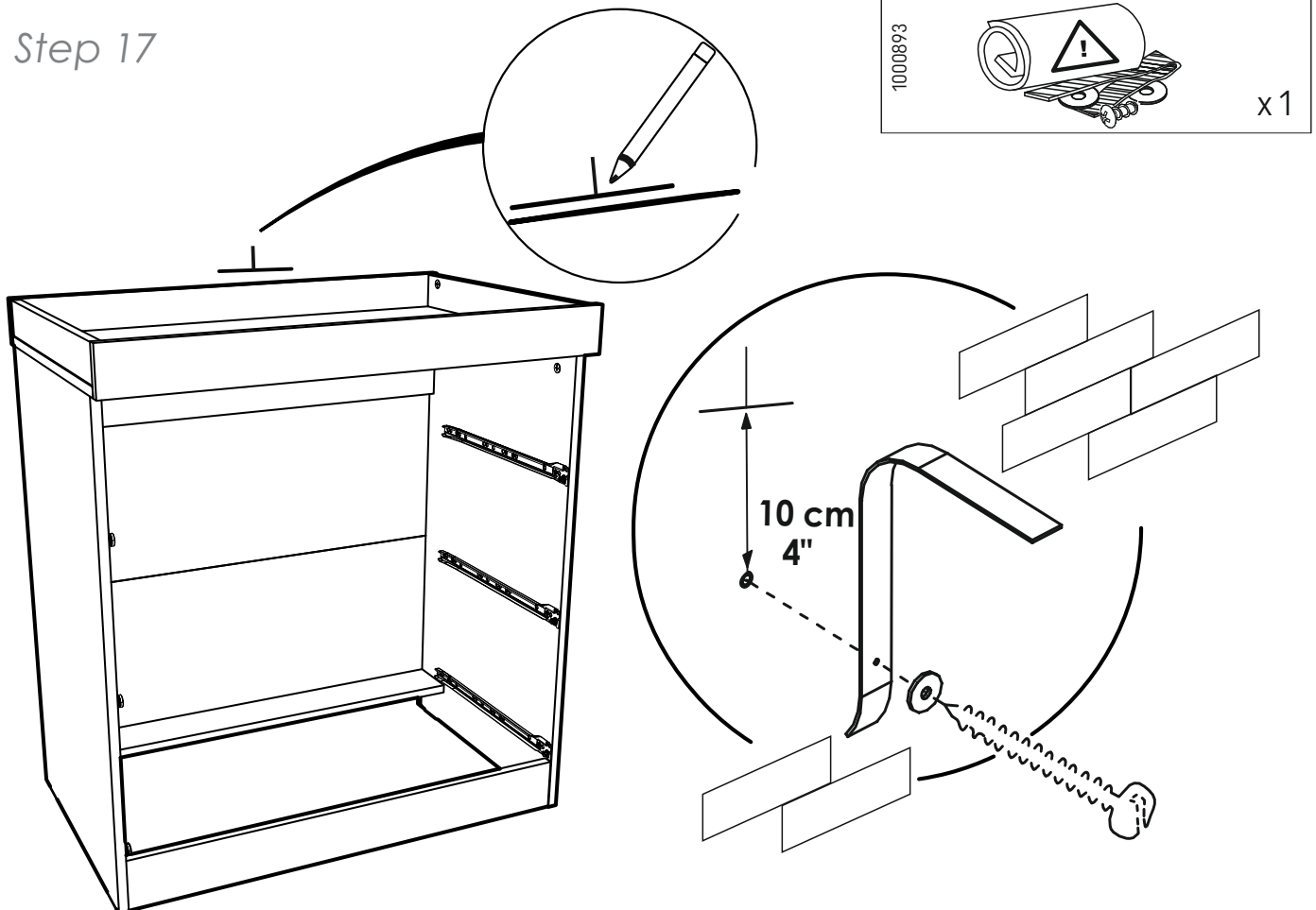
Step 16



It is advised for safety reasons that the dresser is connected to the wall using the wall strap provided. All walls are different composition and it is important the correct fittings are used. Wall fittings are not supplied with this furniture and it is advised to consult a professional before fitting.

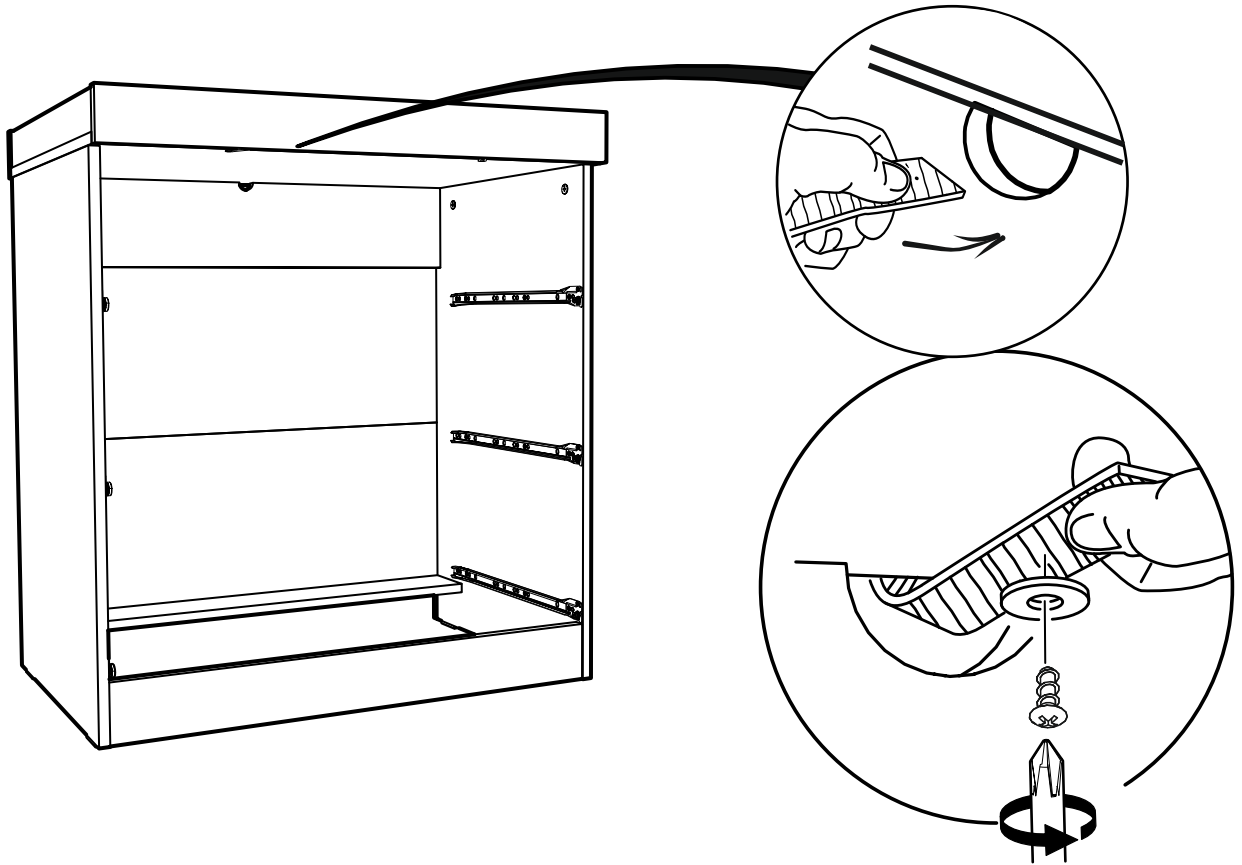
Fix the wall strap to the furniture as shown with the fittings provided – do not use these fittings to connect to the wall. Consult a professional before fitting the strap to the wall.

Step 17

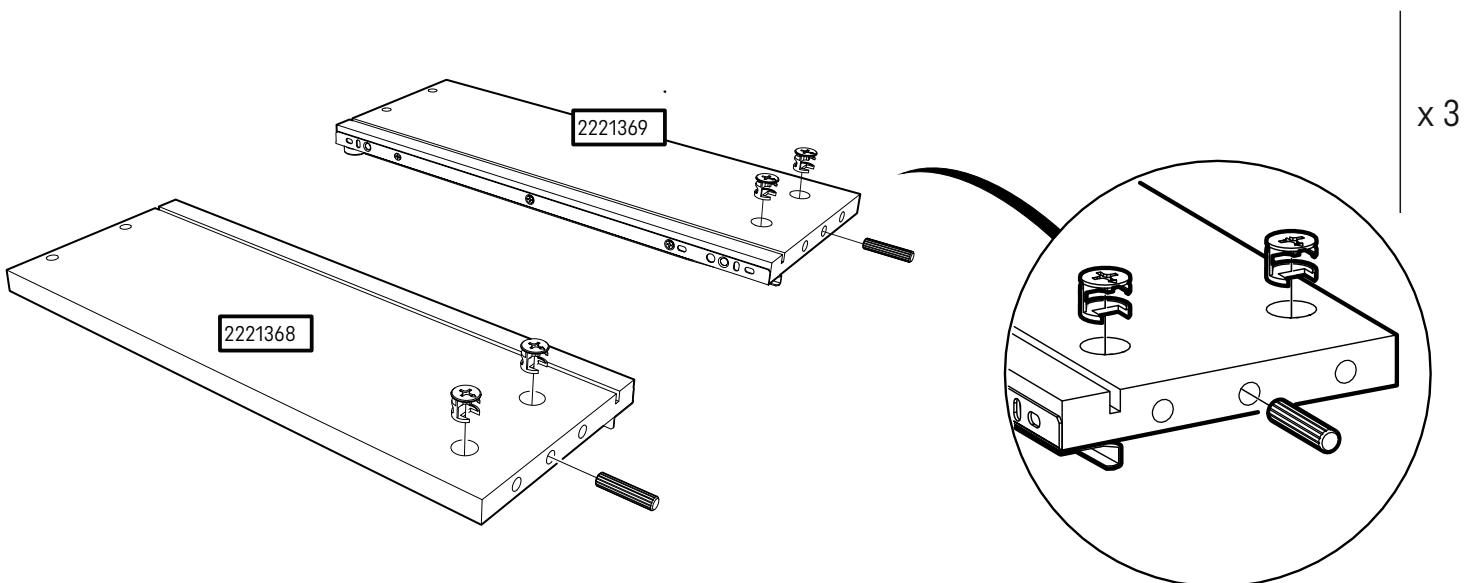
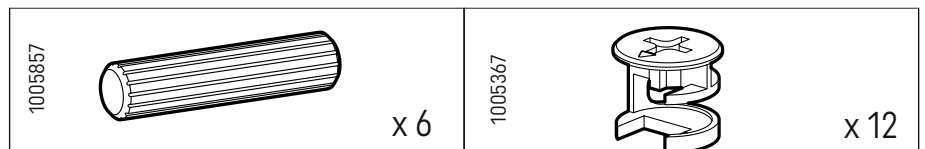


Step 18

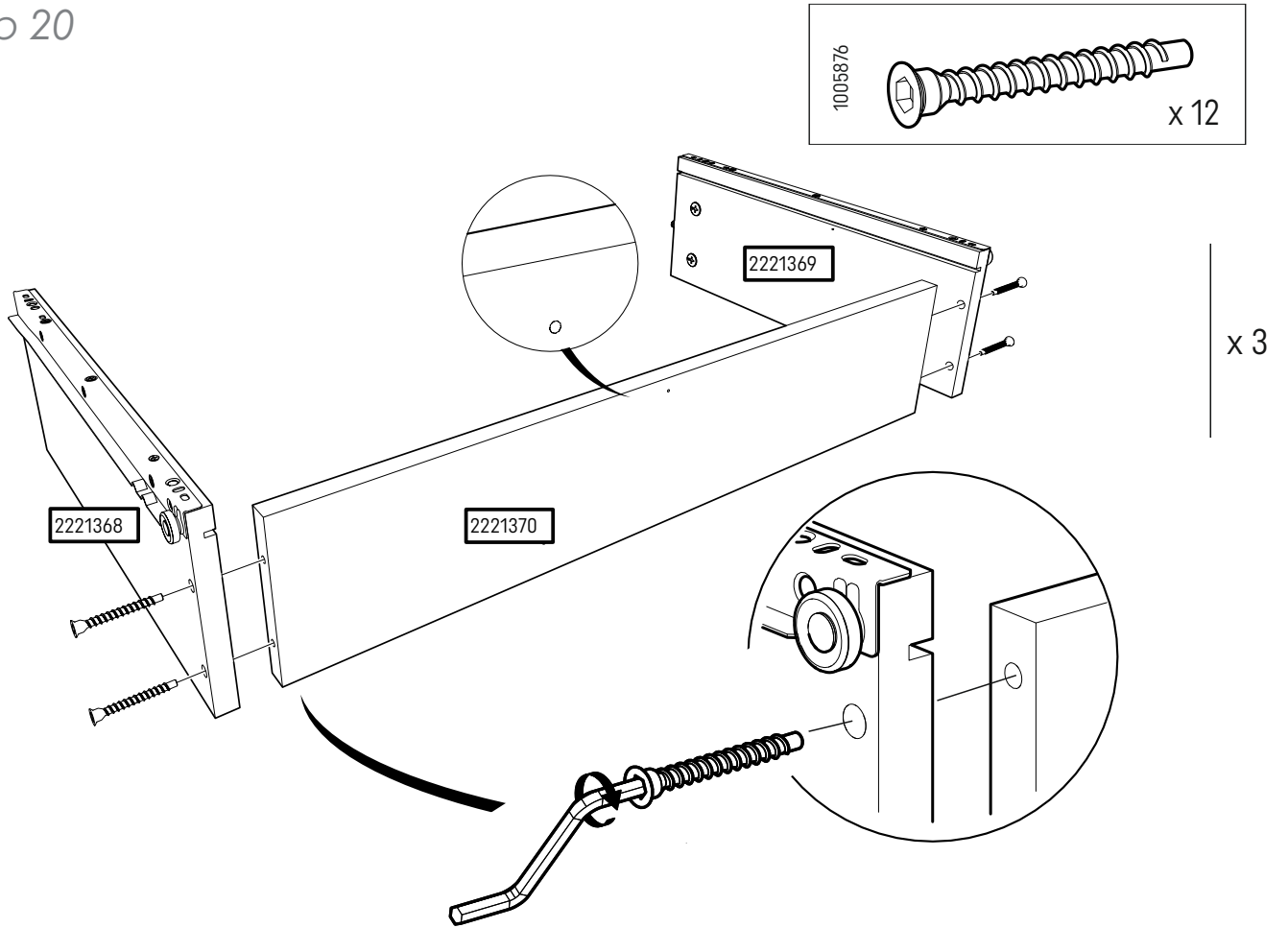
Feed the wall strap through the hole and secure it with the screw provided on the inside of the Dresser.



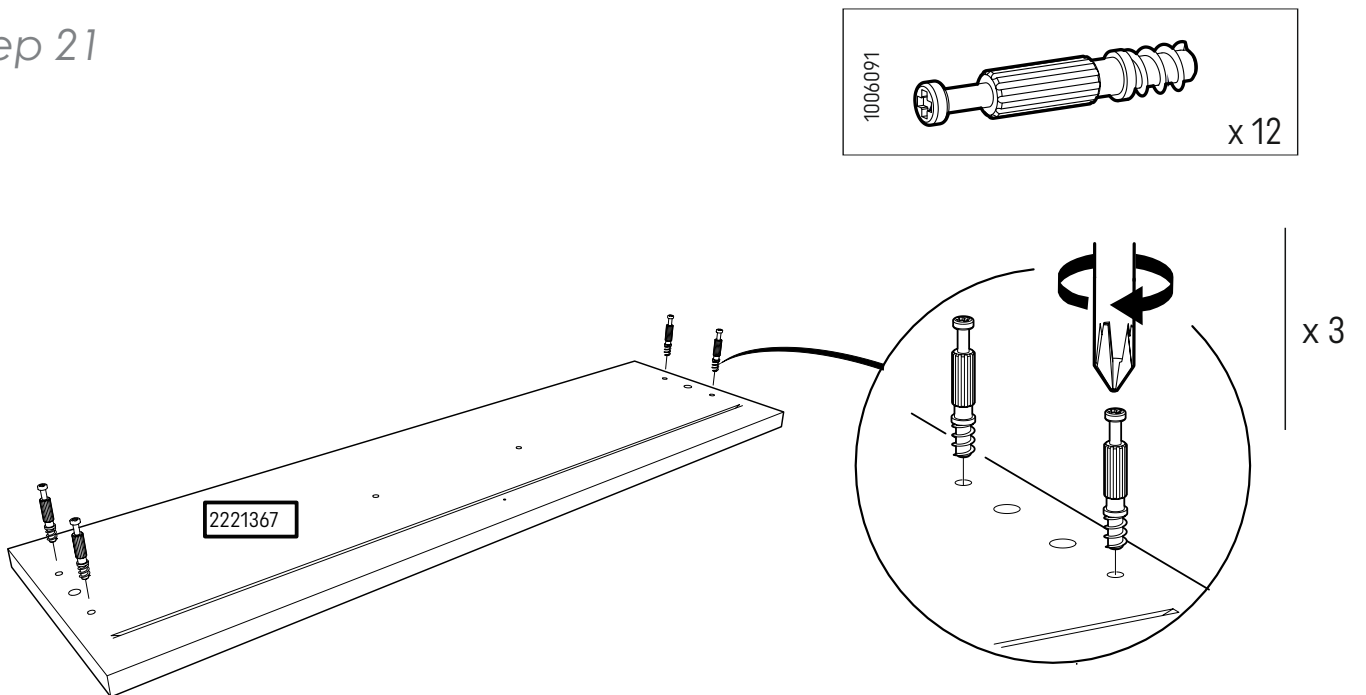
Step 19



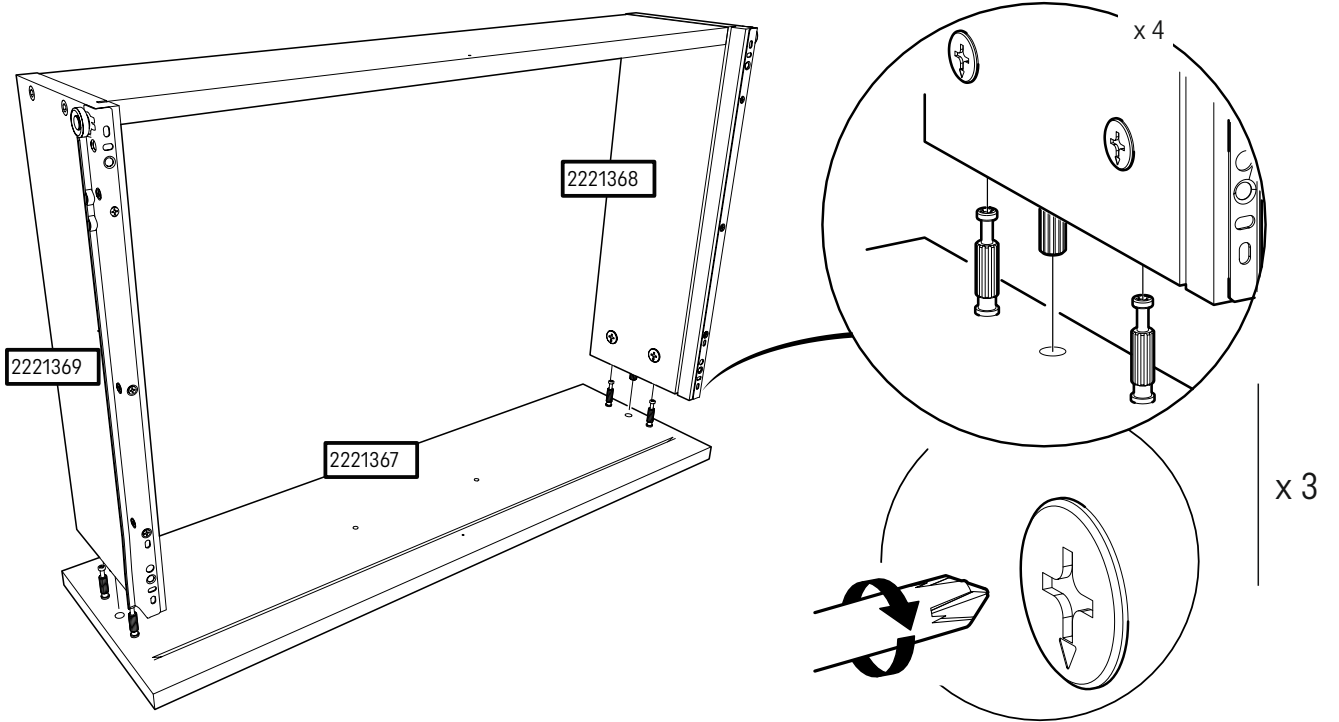
Step 20



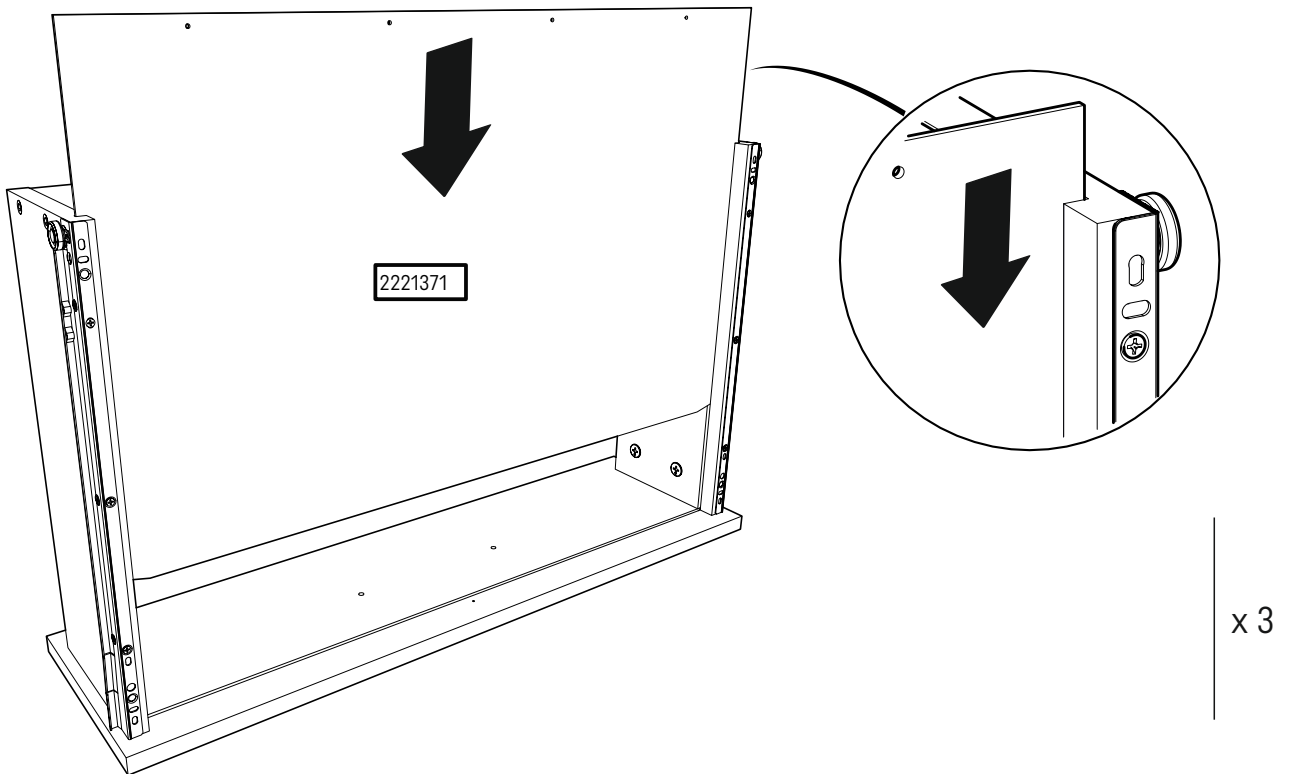
Step 21



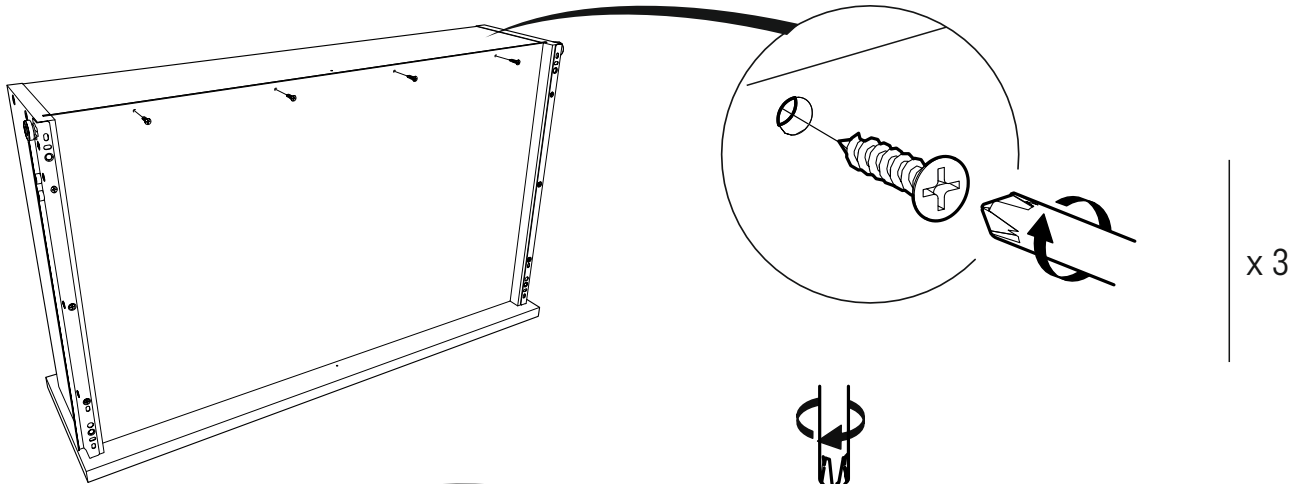
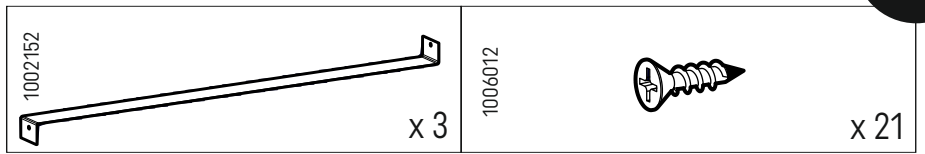
Step 22



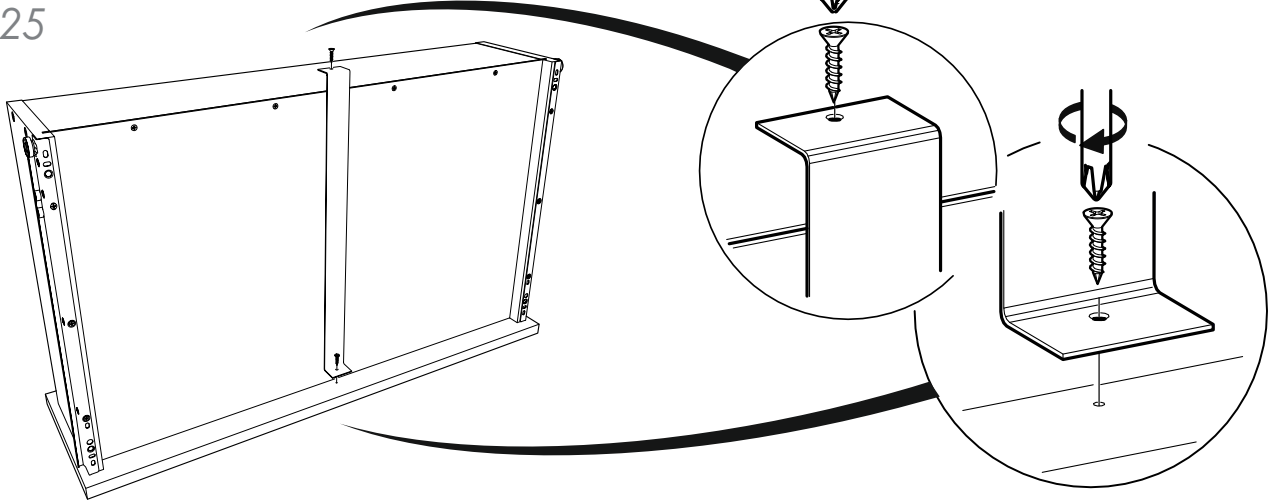
Step 23



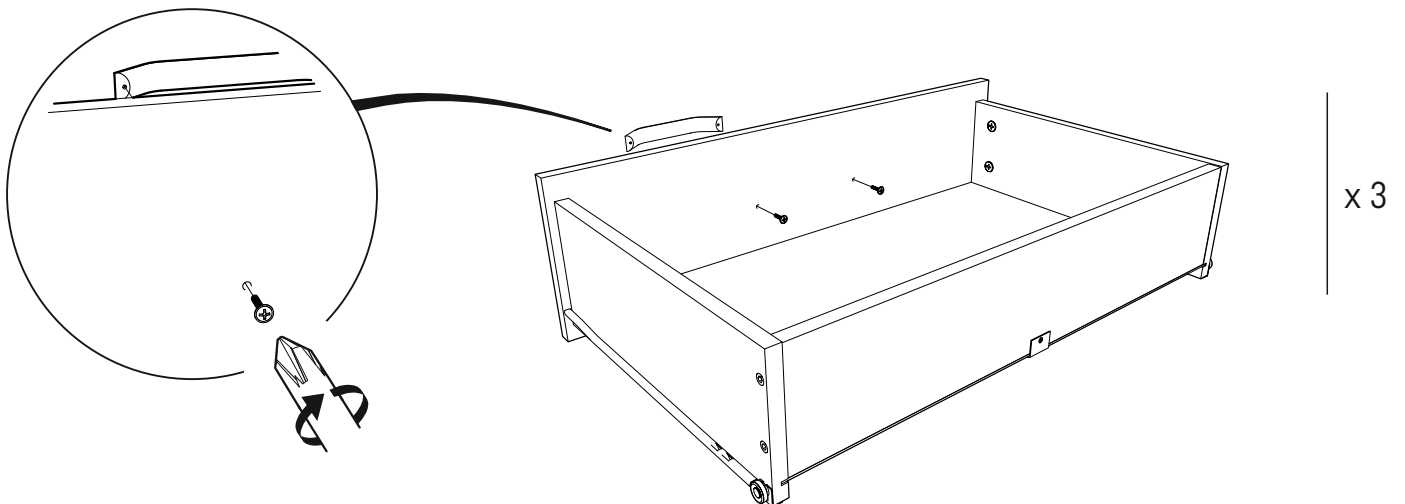
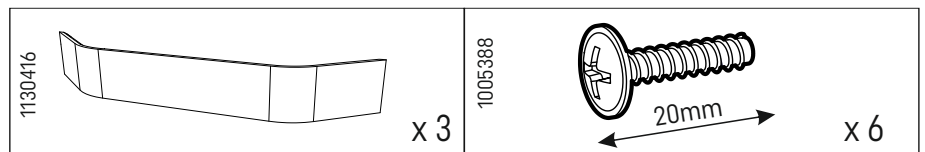
Step 24



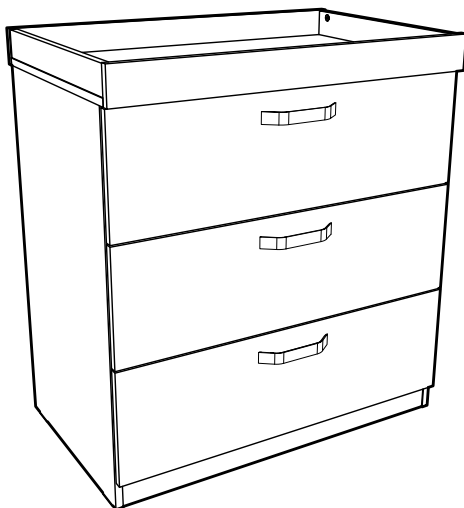
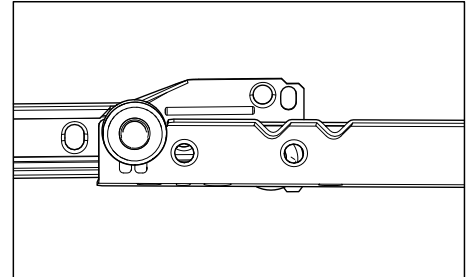
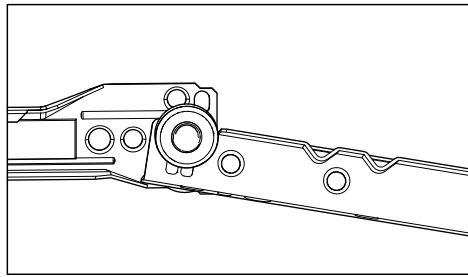
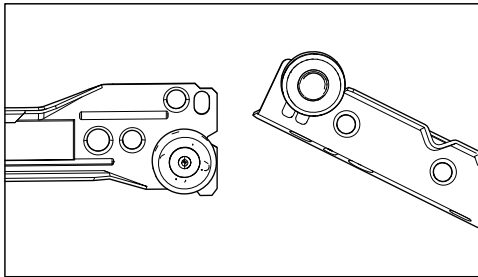
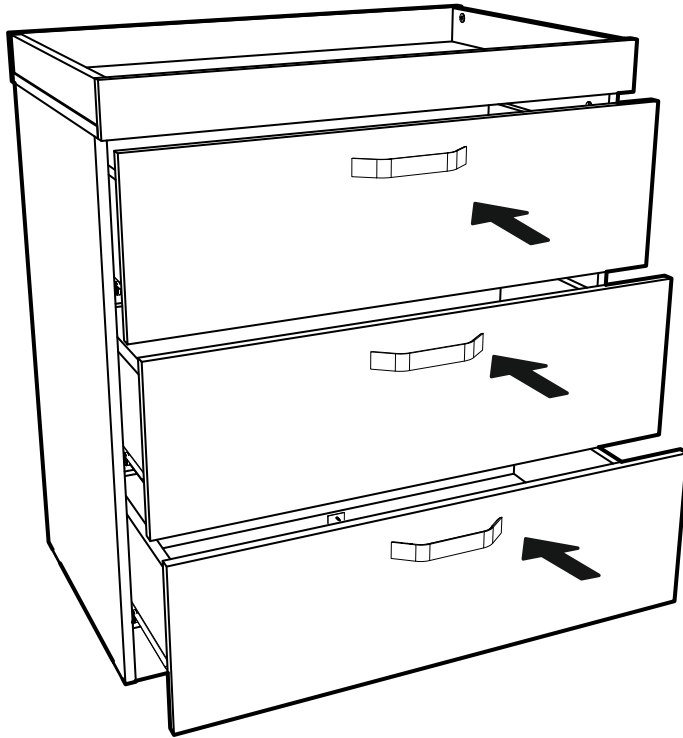
Step 25



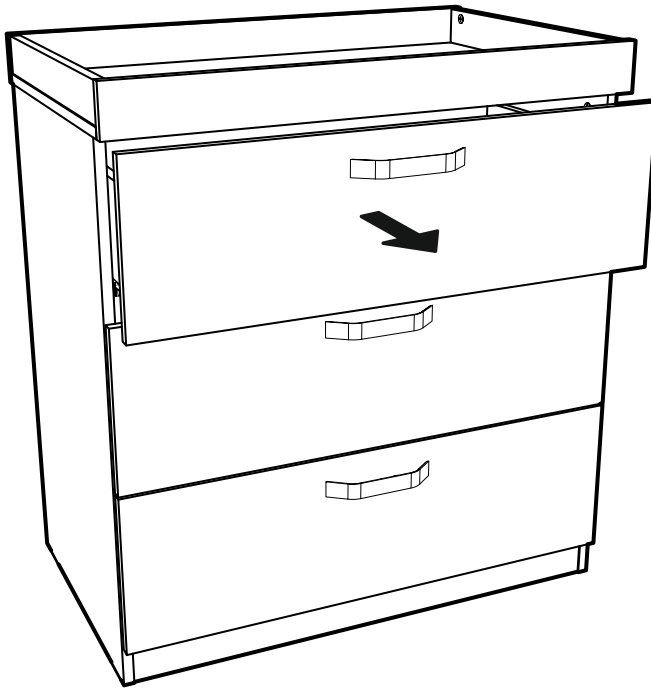
Step 26



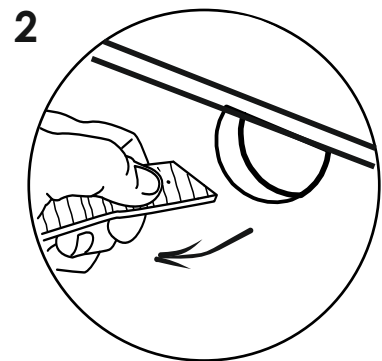
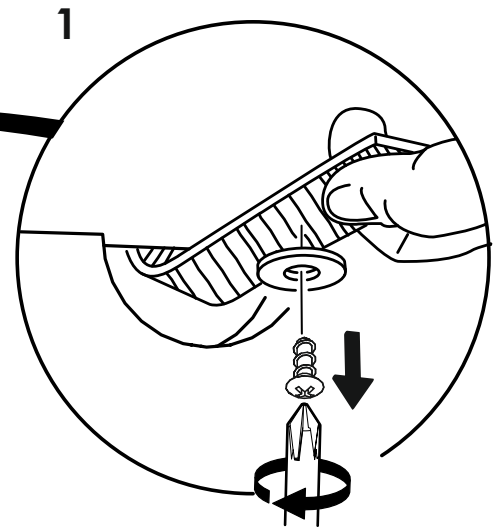
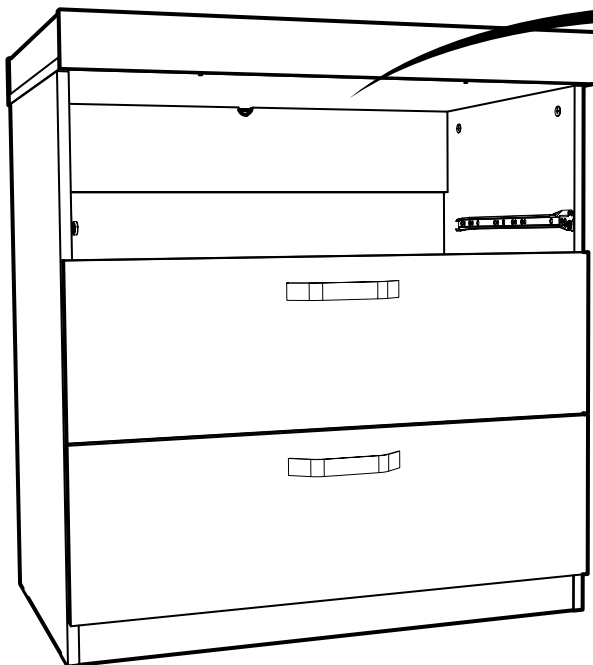
Step 27



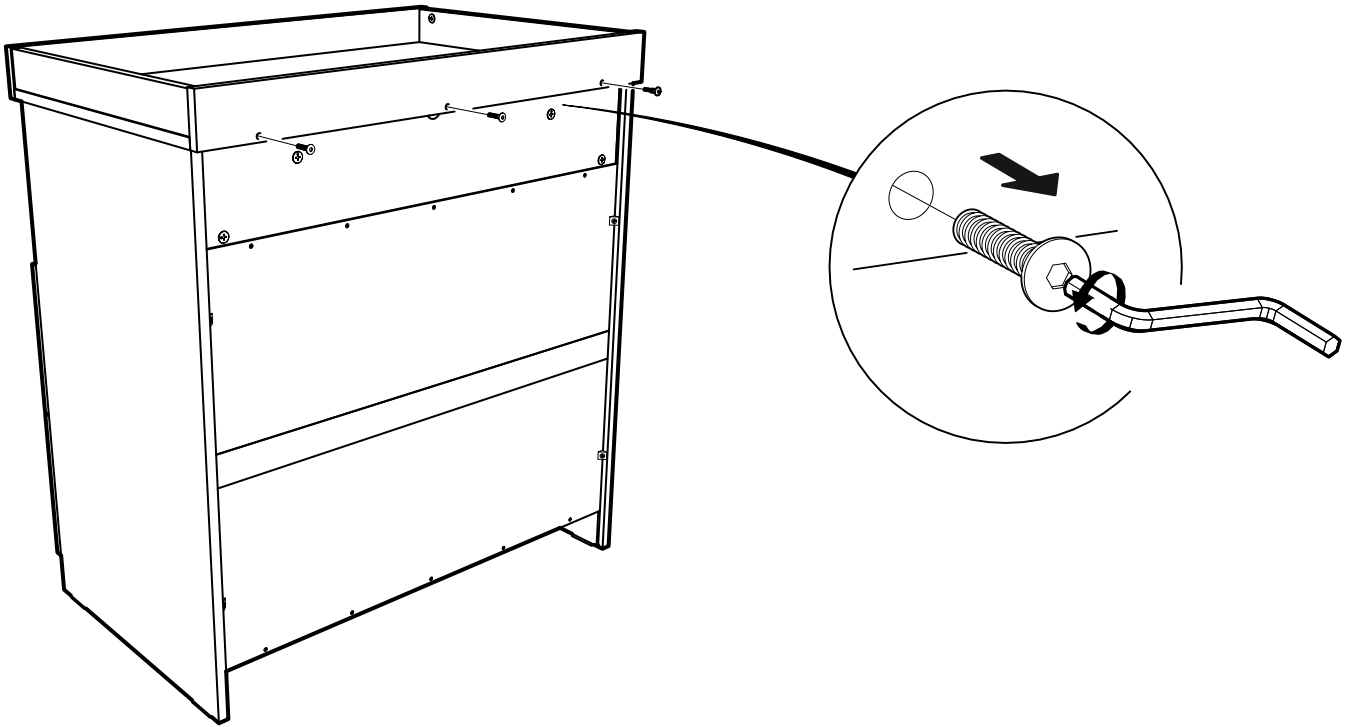
Step 28



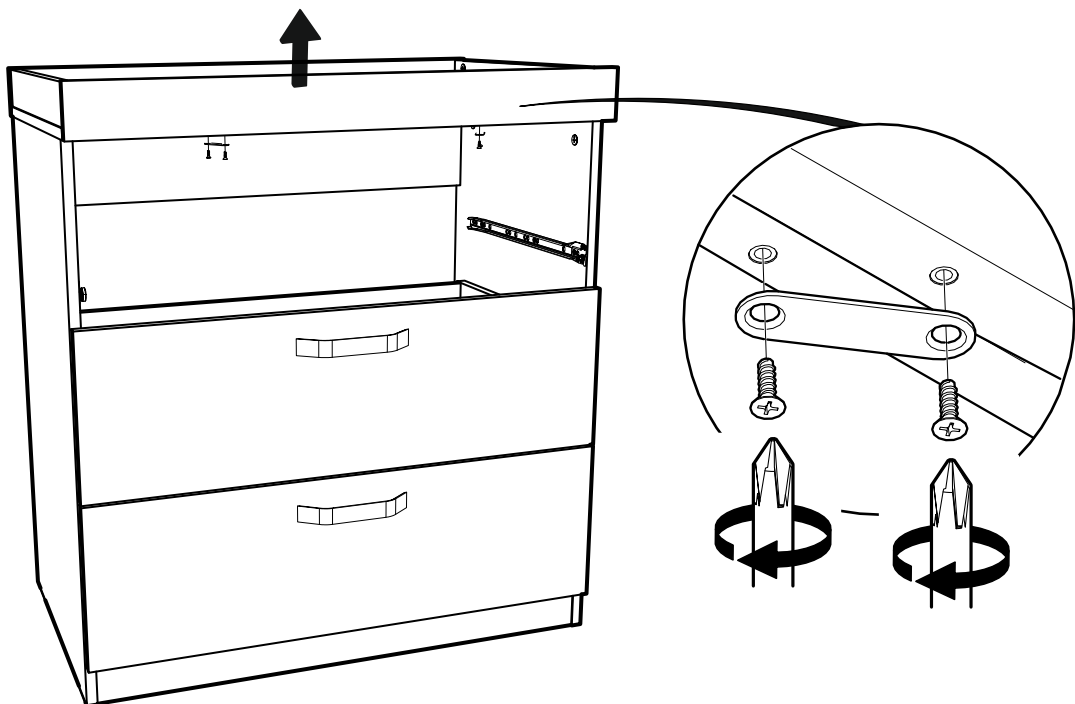
Step 29



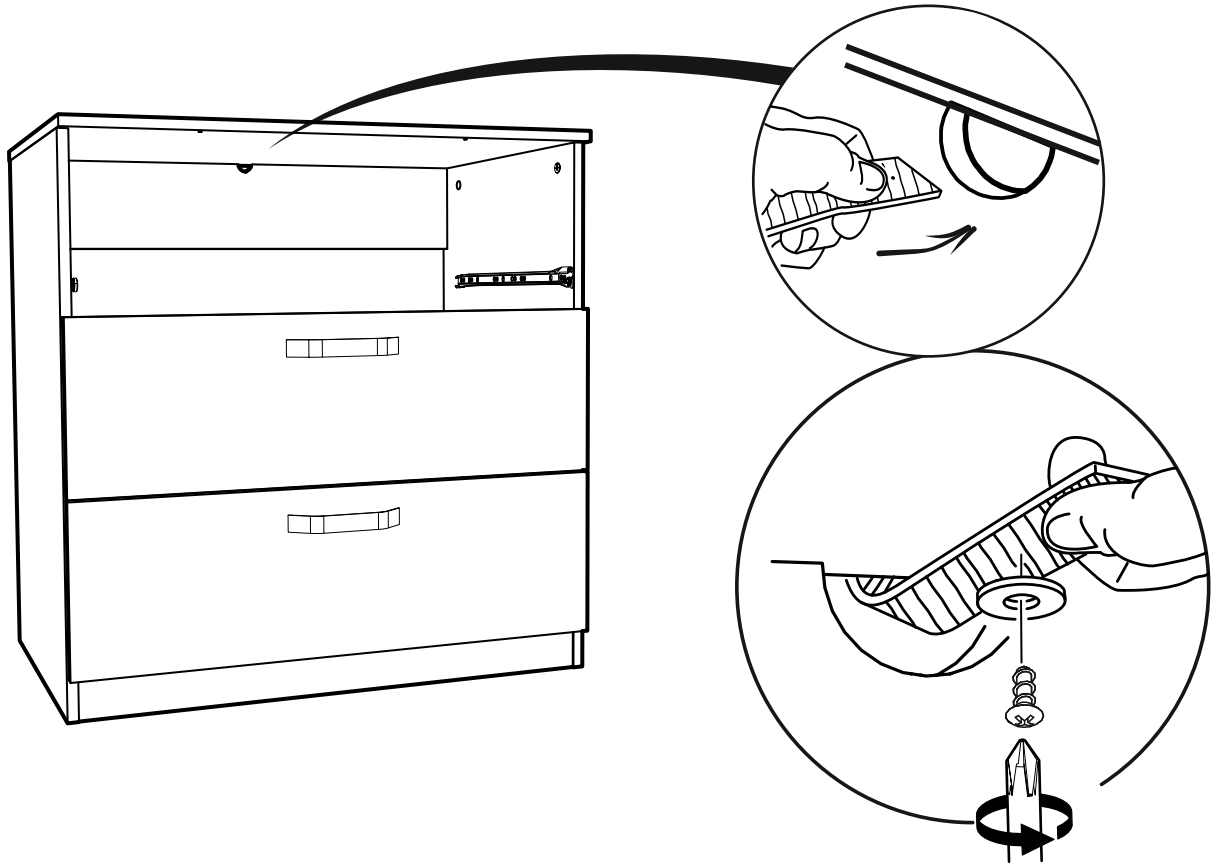
Step 30



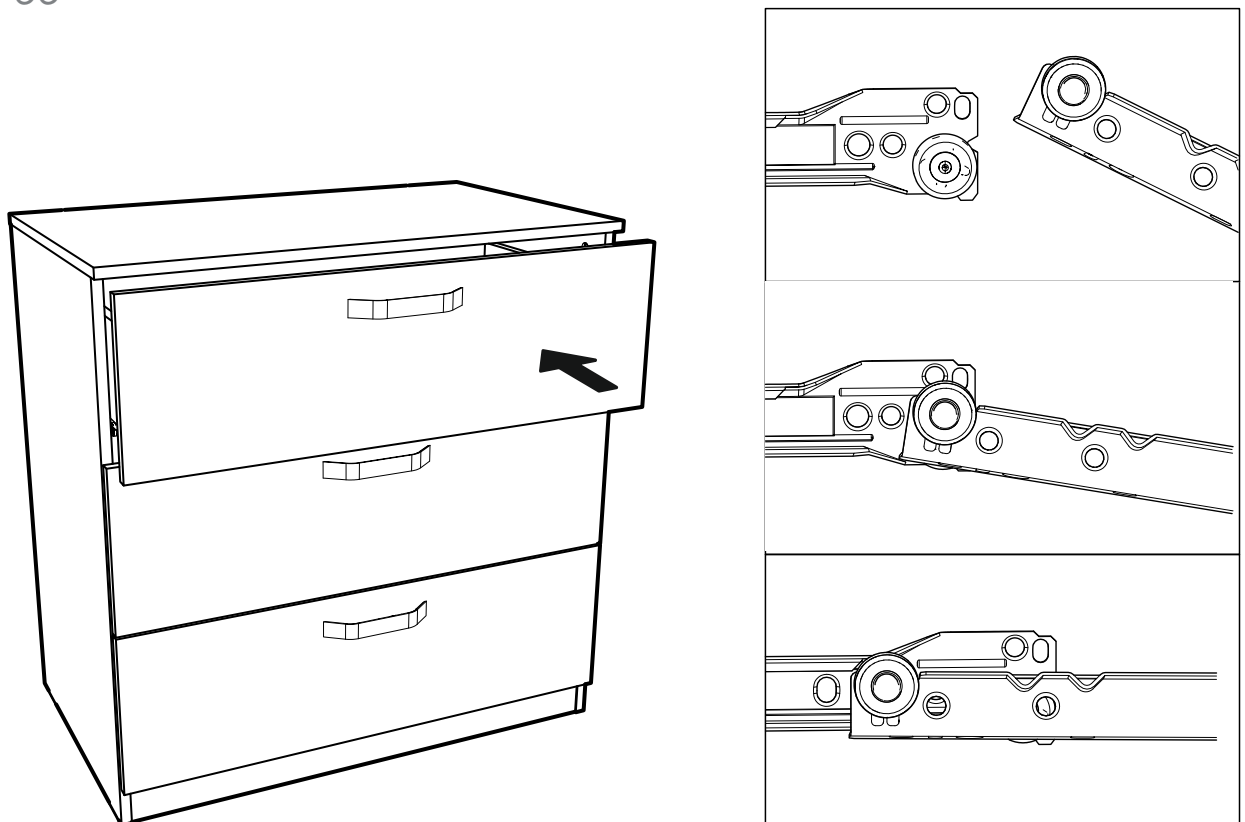
Step 31



Step 32



Step 33





CuddleCo[®]

Designed to care, built to last.

Visit our website www.cuddleco.co.uk for other nursery must haves including mattresses, nursing pillows, blankets etc.

Other brands available on www.cuddleco.co.uk

Mother & Baby **doona[™]**



@cuddlecouk



@cuddlecouk

DESIGNED IN THE UK

CuddleCo.2 Brindley Road,
Trafford Park, Manchester, M16 9HQ

www.cuddleco.co.uk