

CuddleCo[®]

Designed to care, built to last. Clara Dresser / Changing Unit Assembly Instructions



2 ★★★★★
year
extended
guarantee
Simply register within 28 days!

**IMPORTANT, PLEASE RETAIN
FOR FUTURE REFERENCE.
PLEASE READ CAREFULLY**



Safety Warnings

Thank you for choosing CuddleCo. This changing unit conforms to BS EN 12221:2008+A1:2013. To ensure that your changing unit is used in accordance with these instructions, please read them fully.

Your child's safety may be put at risk if you do not follow these instructions.

Assembly should be carried out by a competent adult only.

WARNING: Installation should be carried out exactly according to the manufacturers instructions –otherwise a safety risk can occur if incorrectly installed.

WARNING: In order to prevent tipping this product must be used with the wall attachment device provided. Serious or fatal crushing injuries could occur from furniture tipping over.

- The changing unit must be used on a level and stable surface.
- Never move the changing unit with the child on it.
- Be aware of the risk of open fire and other sources of heat, such as electric bar fires, gas fires, etc. in the near vicinity of the changing unit.
- Use only spare parts approved by the manufacturer.
- We recommend you use a changing mat with maximum dimension of 80 cm x49cm , placing the mat evenly inside the changing unit.
- The changing surface is designed for use from birth until 12 months , max weight 11 kg.
- All assembly fittings should be tightened properly and care should be taken to ensure that no screws are loose as a child could trap parts of the body or clothing (e.g. ribbons, drawstrings, necklaces). This could lead to strangulation.
- Regularly check that all fittings and components of the changing unit are fully tightened and in working order.
- Wood is a natural material, the colour could darken with age.
- During assembly children should be kept away from the product due to possible risk of injury.

ROUTINE CARE & MAINTENANCE

- For cleaning, use only a mild detergent and warm water.
- DO NOT USE BLEACH.
- DO NOT USE any abrasive substances.
- Take care when handling or moving furniture as careless handling can damage wooden furniture.

Due to constant updating and improvements, some components may occasionally differ slightly from the images shown in these instructions. We reserve the rights to change the specifications of any products without prior notice. If you need any assistance please contact your CuddleCo. retailer from whom you purchased your product, who will take appropriate action.



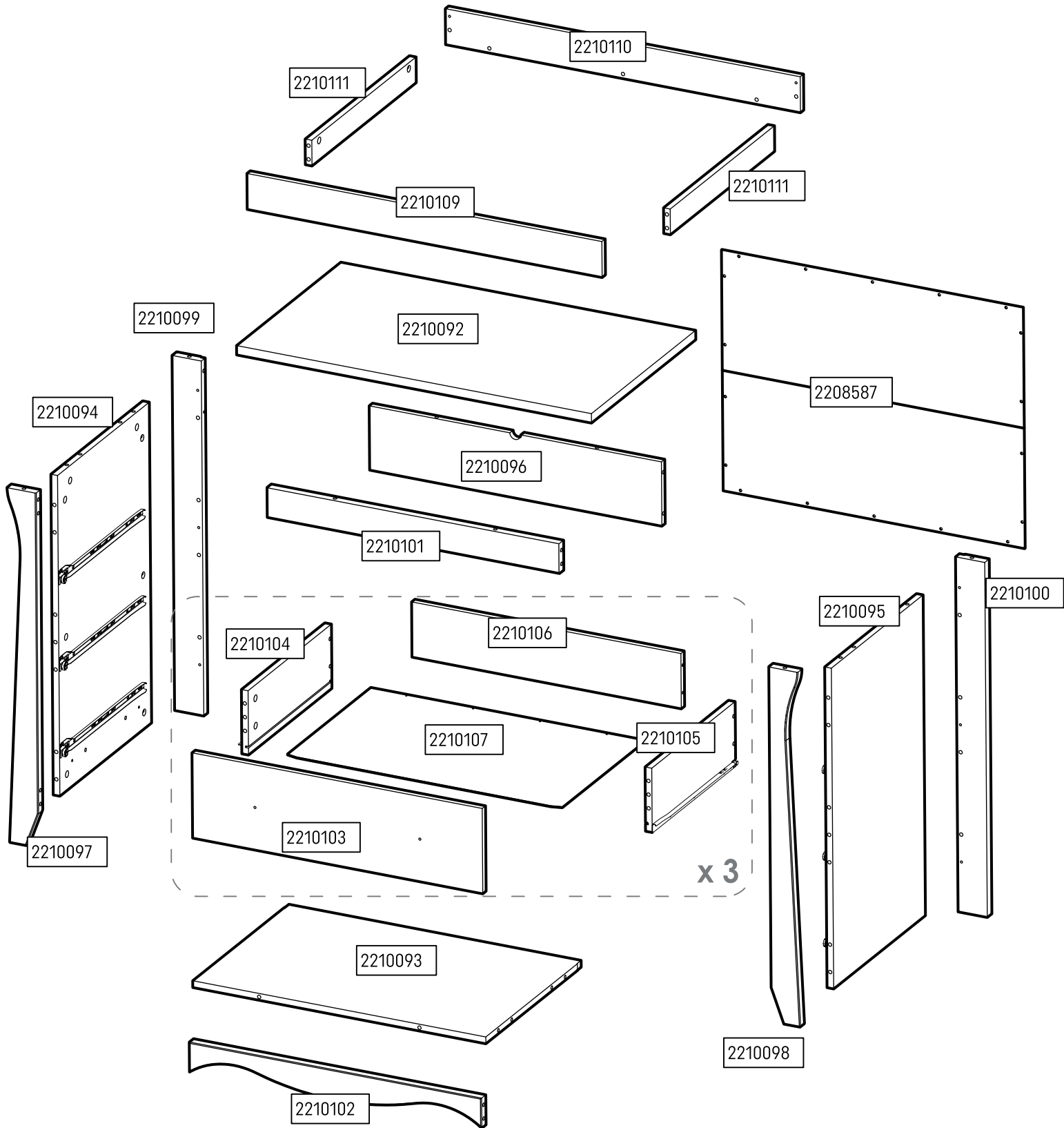
IN ORDER TO PREVENT TIPPING THIS PRODUCT MUST BE USED WITH THE WALL ATTACHMENT DEVICES PROVIDED.



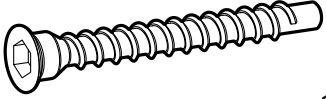
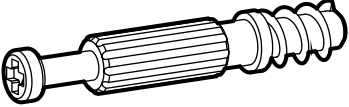
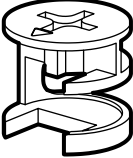
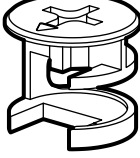
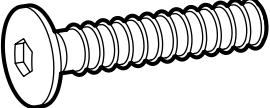
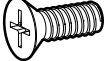
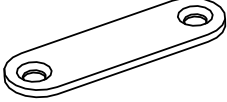



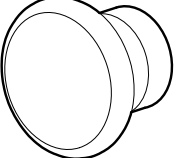

Serious or fatal crushing injuries could occur from furniture tipping over. To help prevent tipping:

- Use the wall attachment devices provided.
- Never allow children to climb or hang on drawers.
- Place heaviest items in the lower drawers .
- Do not Place TVs or other heavy objects on top of this product.
- Never open more than one drawer at a time.

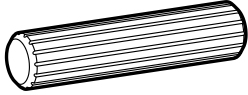
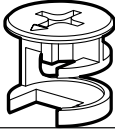
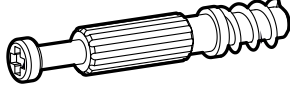
A wall attachment device is provided with your product, however you will need to source suitable fixings for your wall type. If in doubt, please consult a qualified tradesperson.

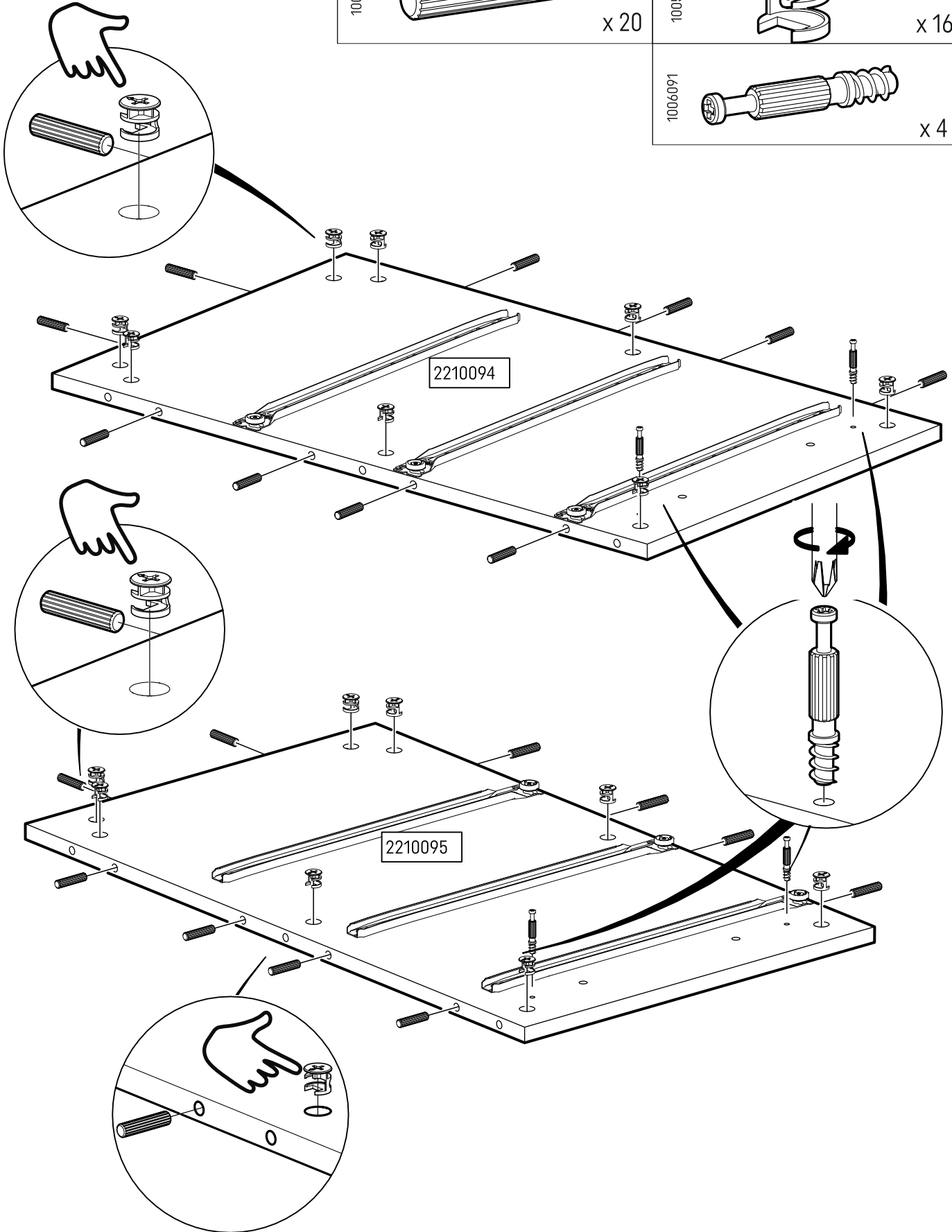
Always ensure the wall to be drilled is free from hidden electrical wires, water and gas pipes.



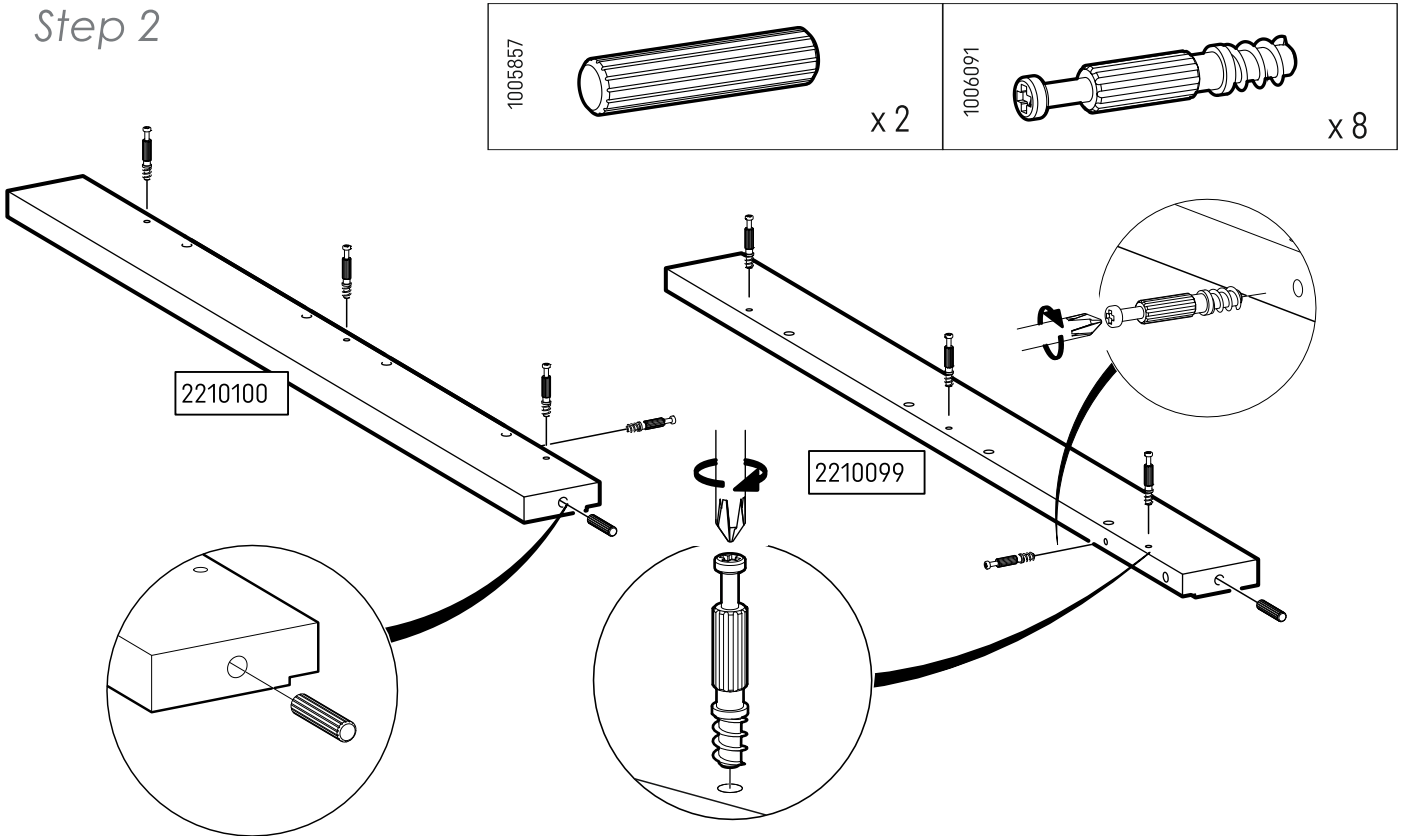
<p>1000806</p>  <p>x 1</p>	<p>1005857</p>  <p>x 48</p>	<p>1005876</p>  <p>x 12</p>
<p>1006091</p>  <p>x 44</p>	<p>1005543</p>  <p>x 2</p>	<p>1005367</p>  <p>x 42</p>
<p>1005665</p>  <p>x 3</p>	<p>1115207</p>  <p>x 4</p>	<p>1001786</p>  <p>x 2</p>
<p>1002152</p>  <p>x 3</p>	<p>1000893</p>  <p>x 1</p>	<p>1006012</p>  <p>x 36</p>
<p>1121030</p>  <p>x 6</p>	<p>1006031</p>  <p>x 6</p>	

Step 1

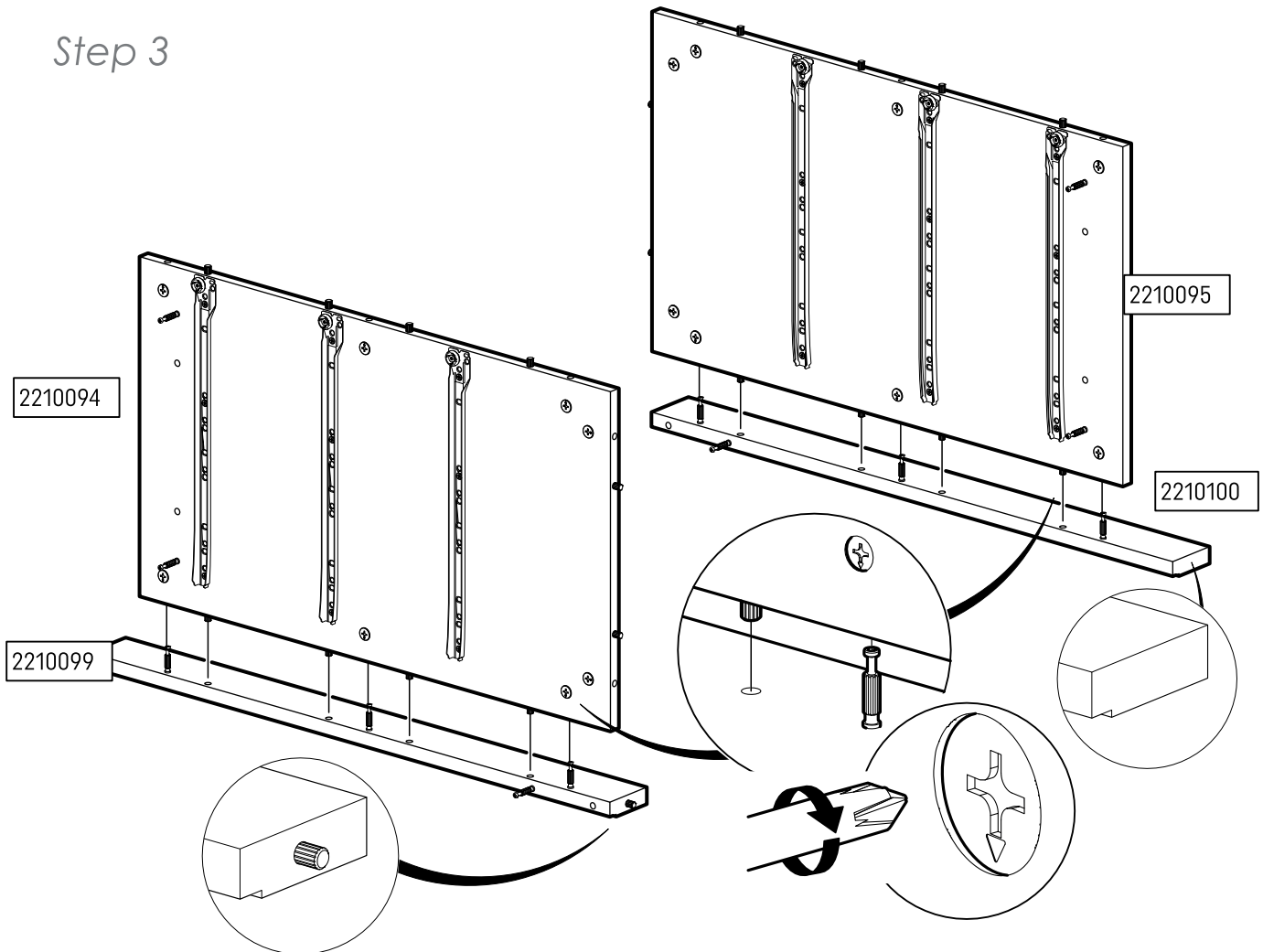
<p>1005857</p>  <p>x 20</p>	<p>1005367</p>  <p>x 16</p>
<p>1006091</p>  <p>x 4</p>	



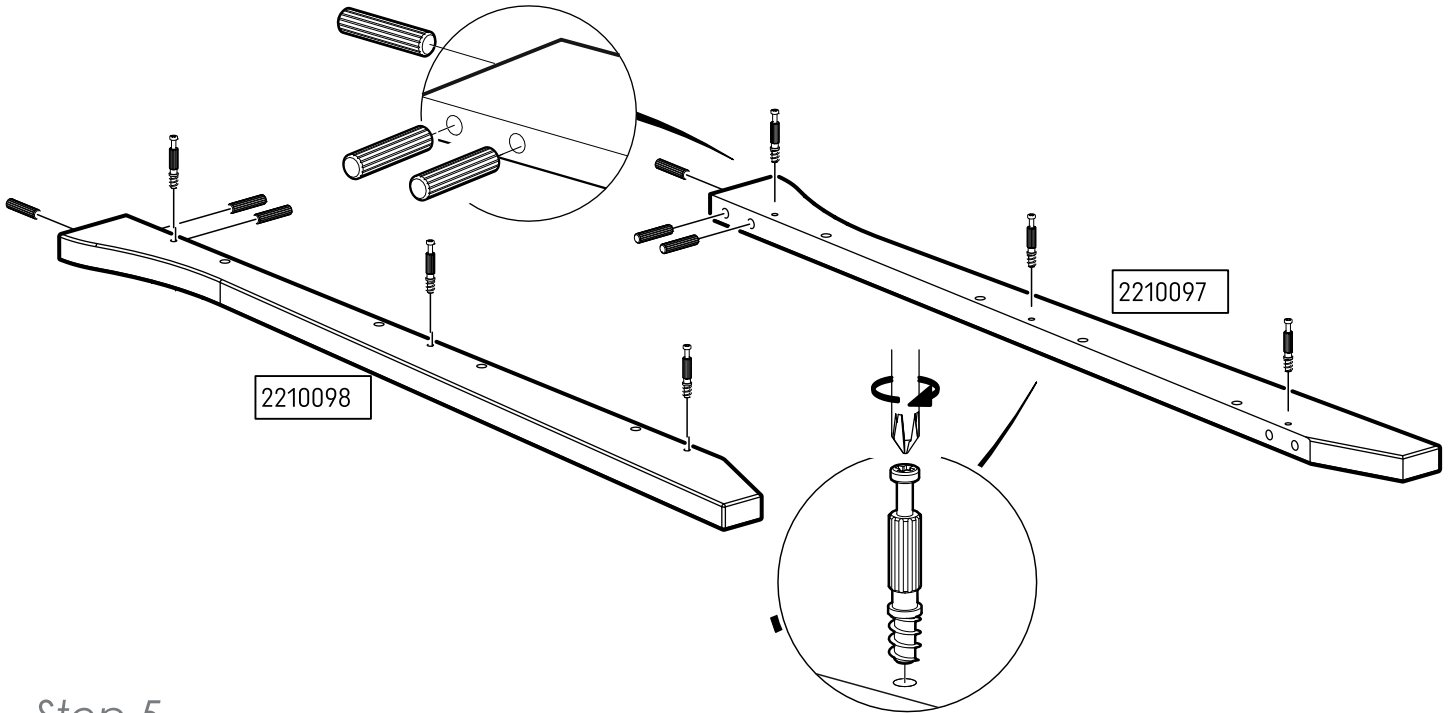
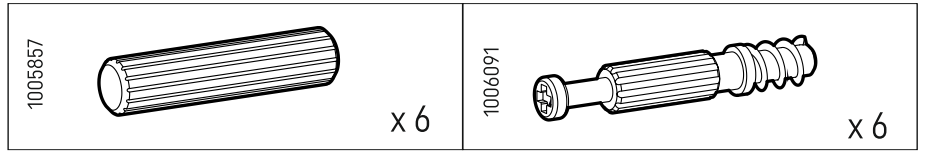
Step 2



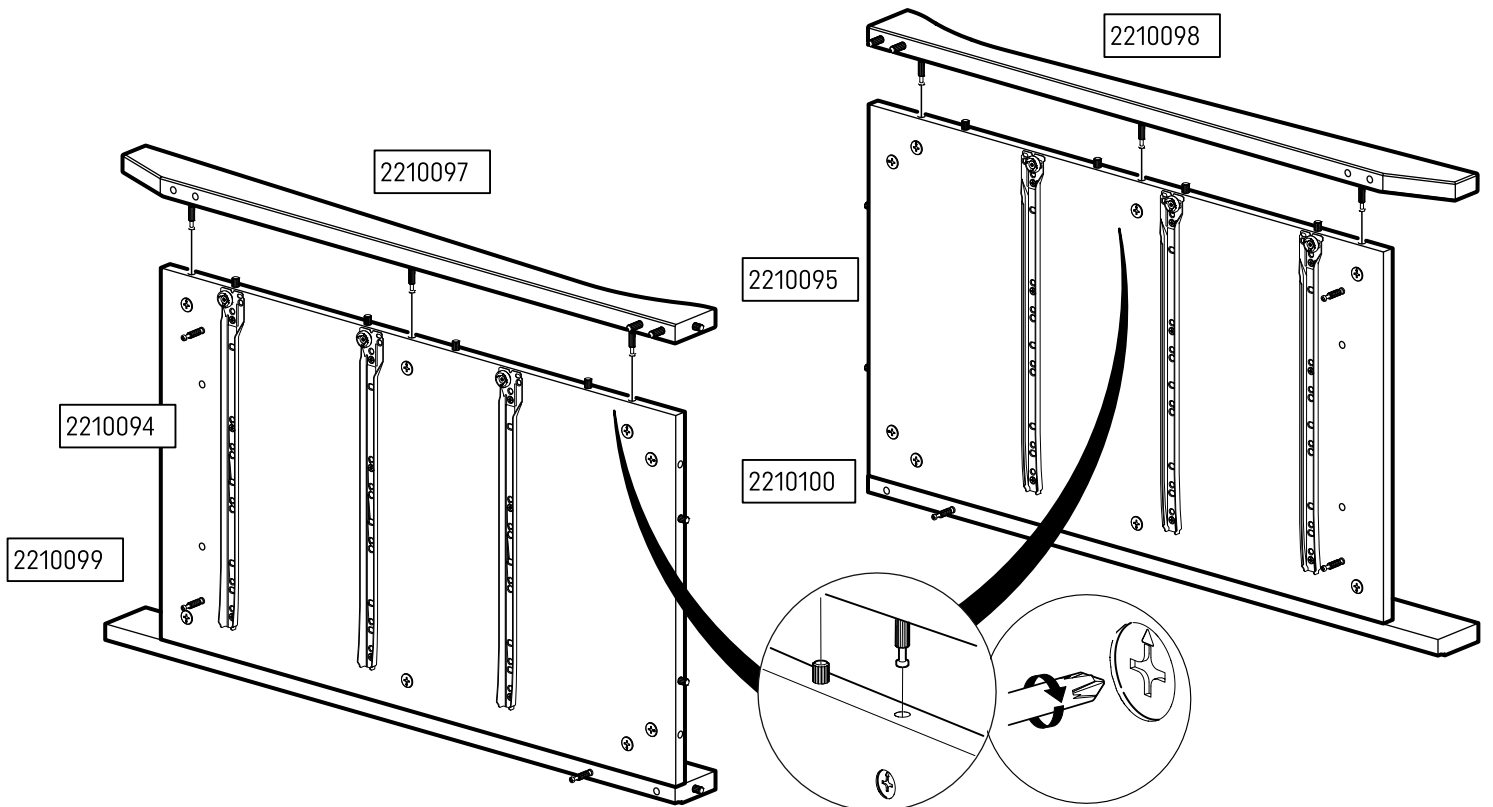
Step 3



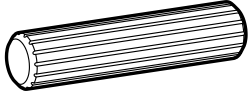
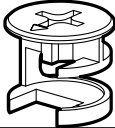
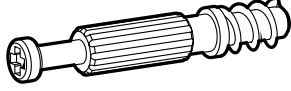
Step 4

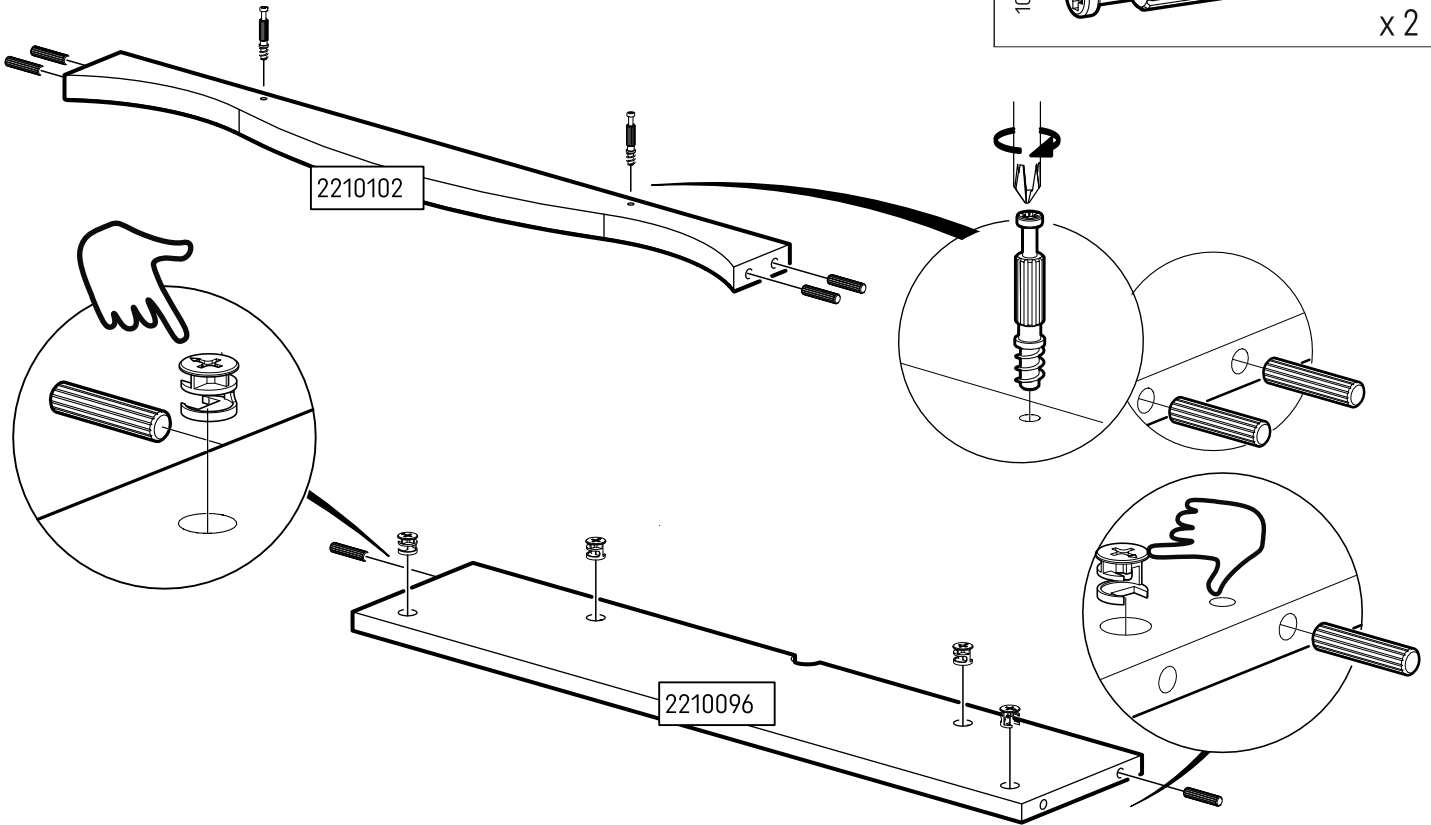


Step 5

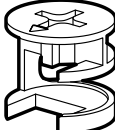


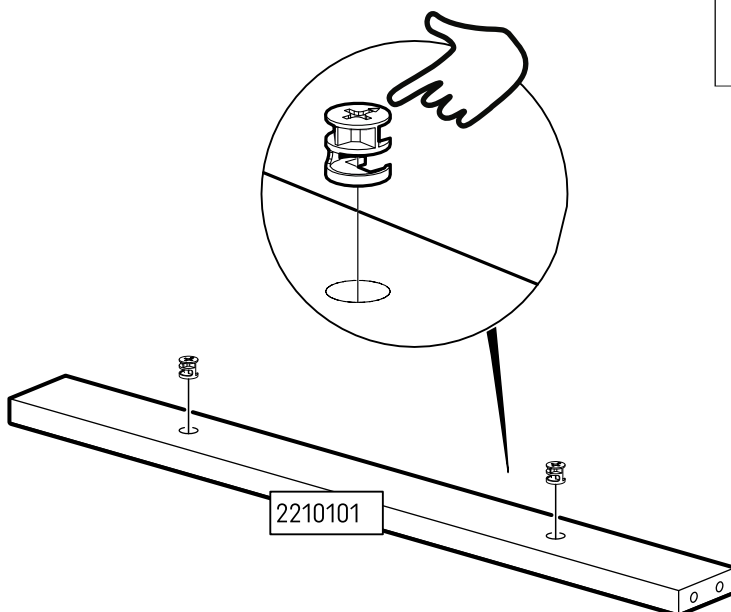
Step 6

<p>1005857</p>  <p>x 6</p>	<p>1005367</p>  <p>x 4</p>
	<p>1006091</p>  <p>x 2</p>

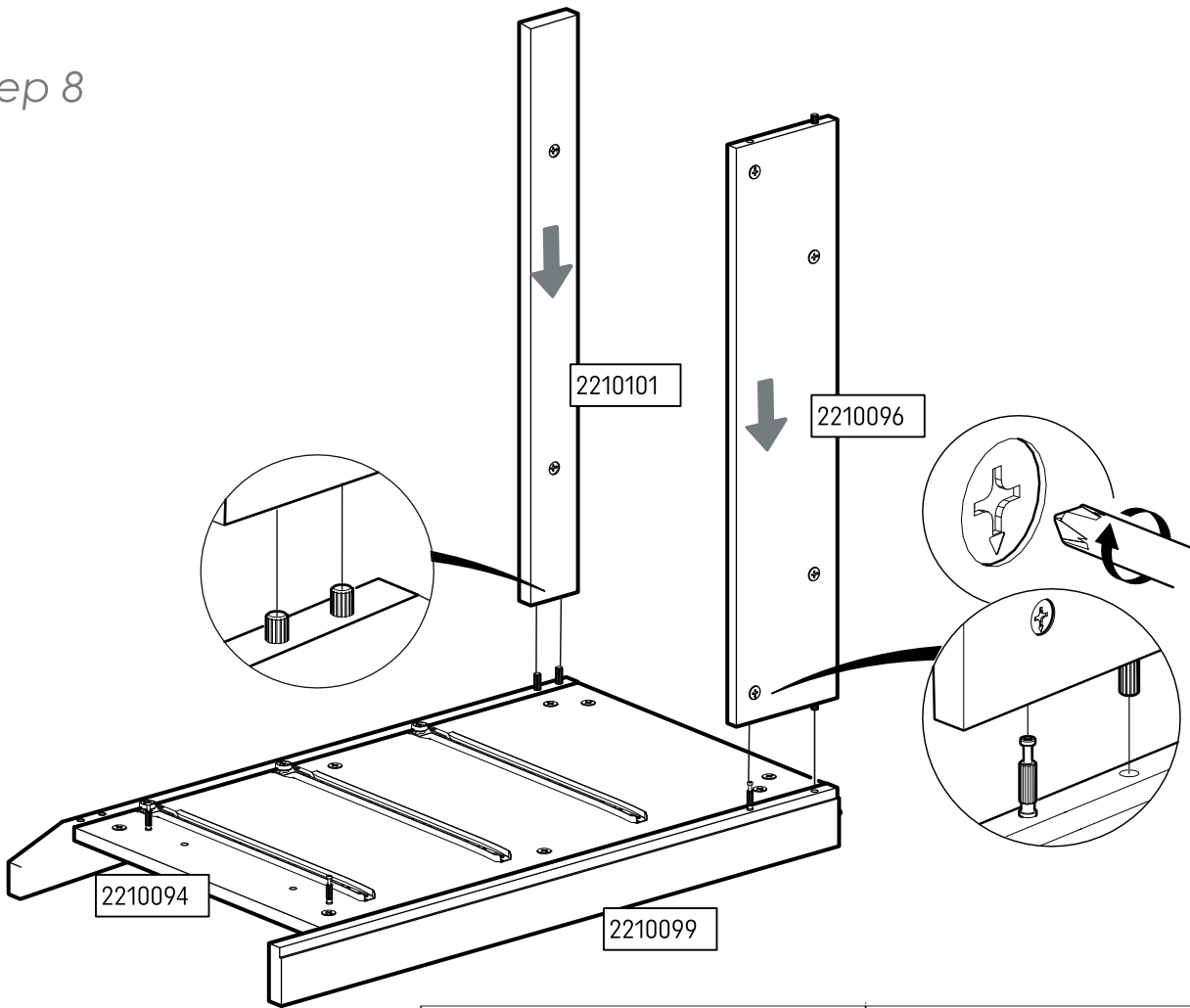


Step 7

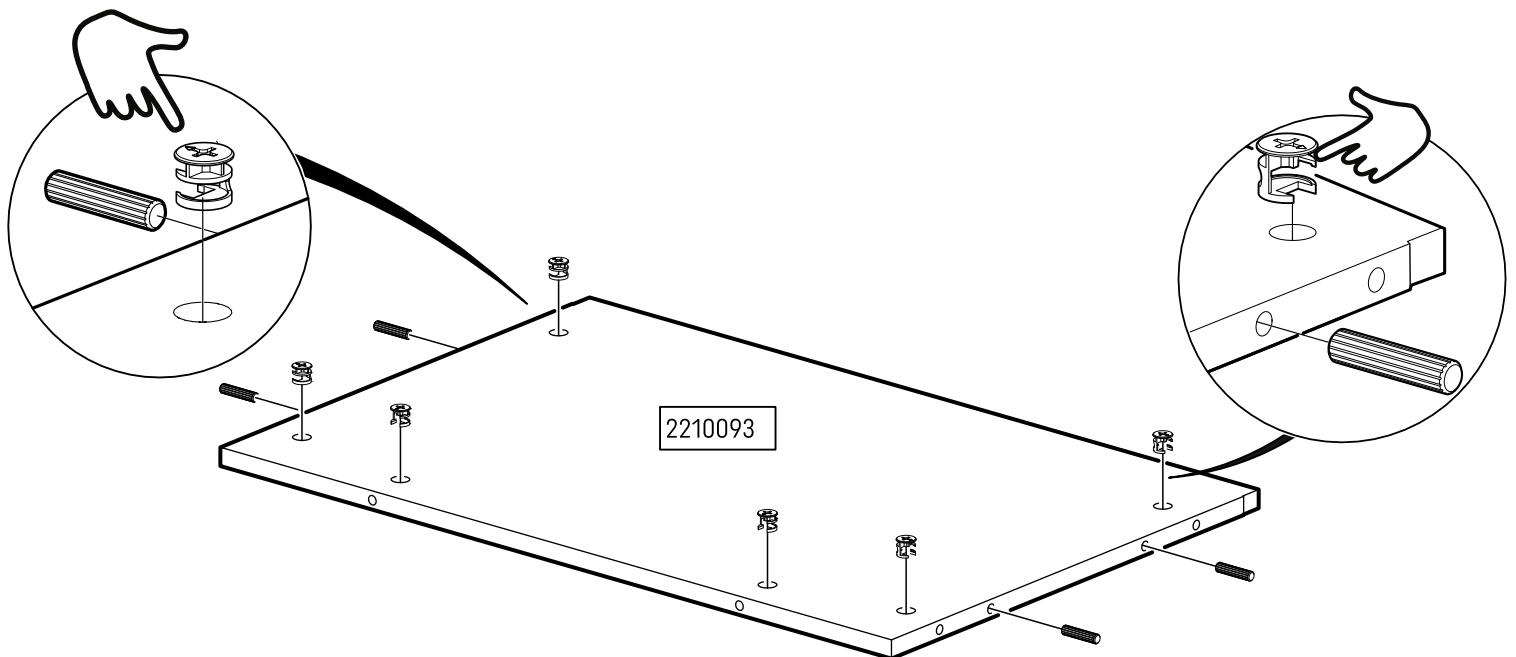
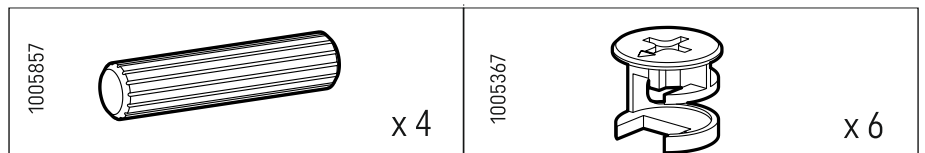
<p>1005543</p>  <p>x 2</p>



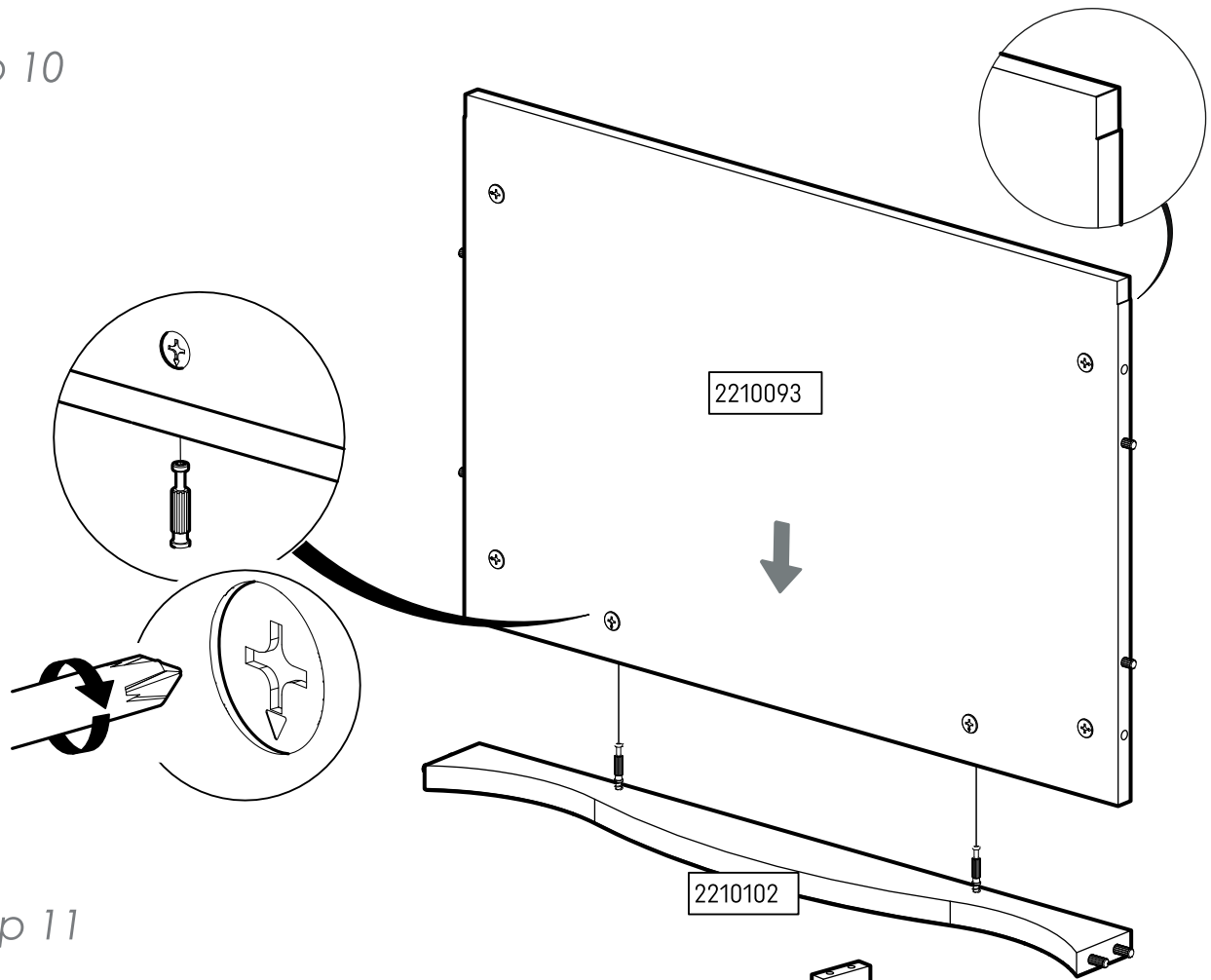
Step 8



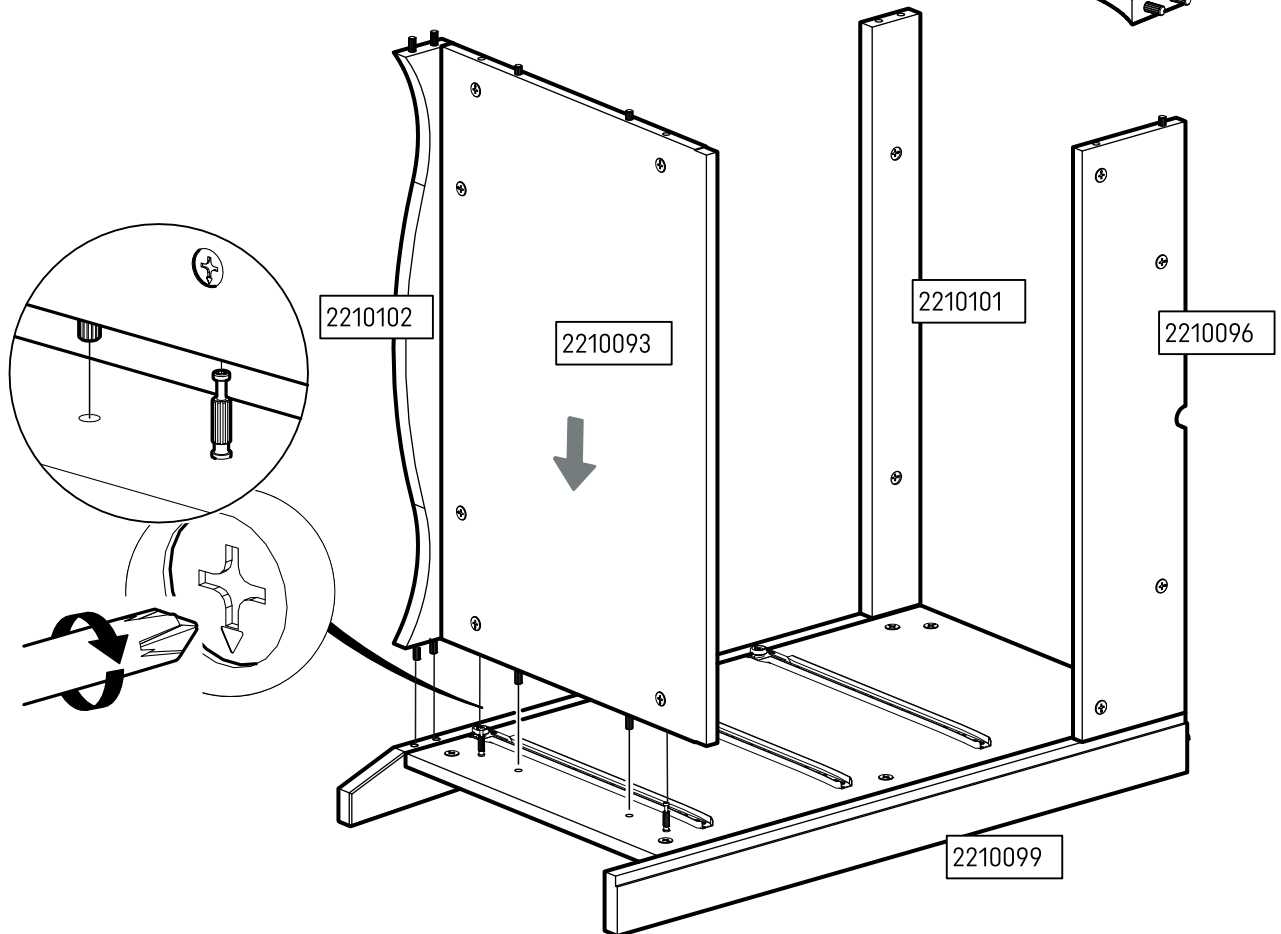
Step 9



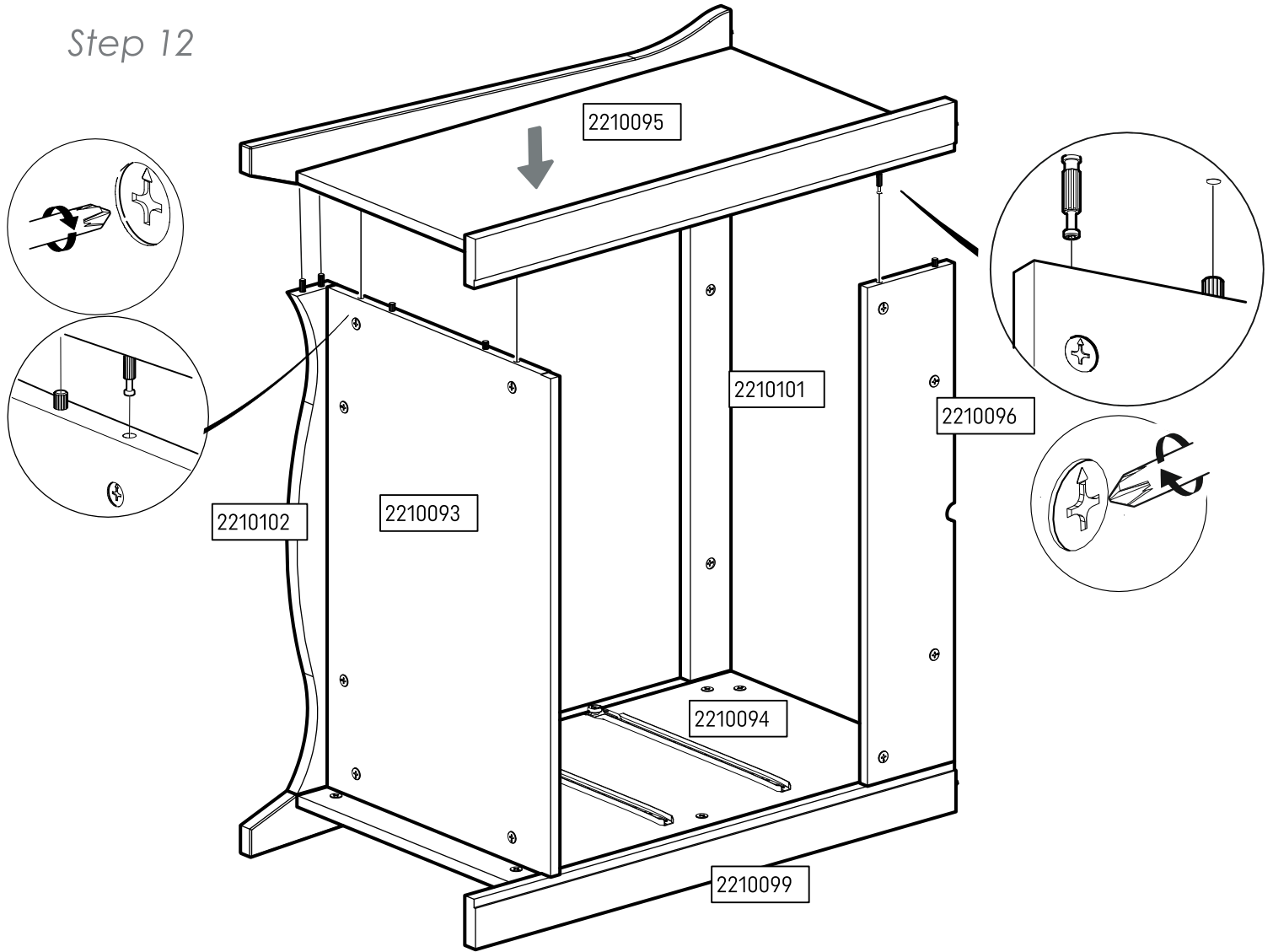
Step 10



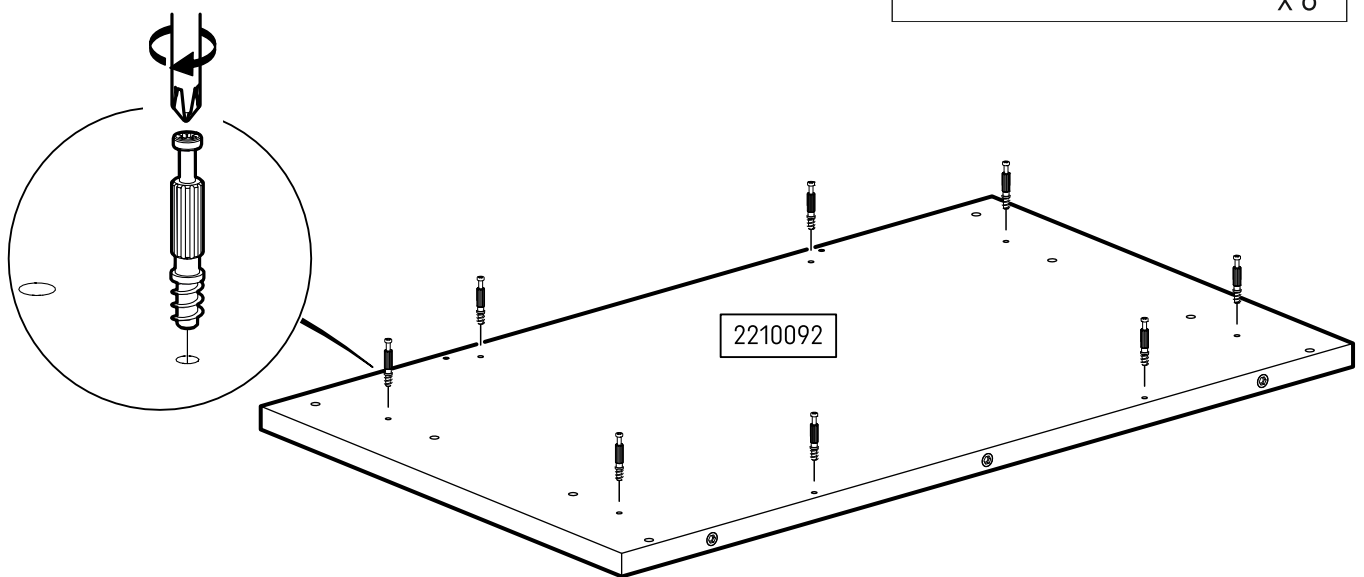
Step 11



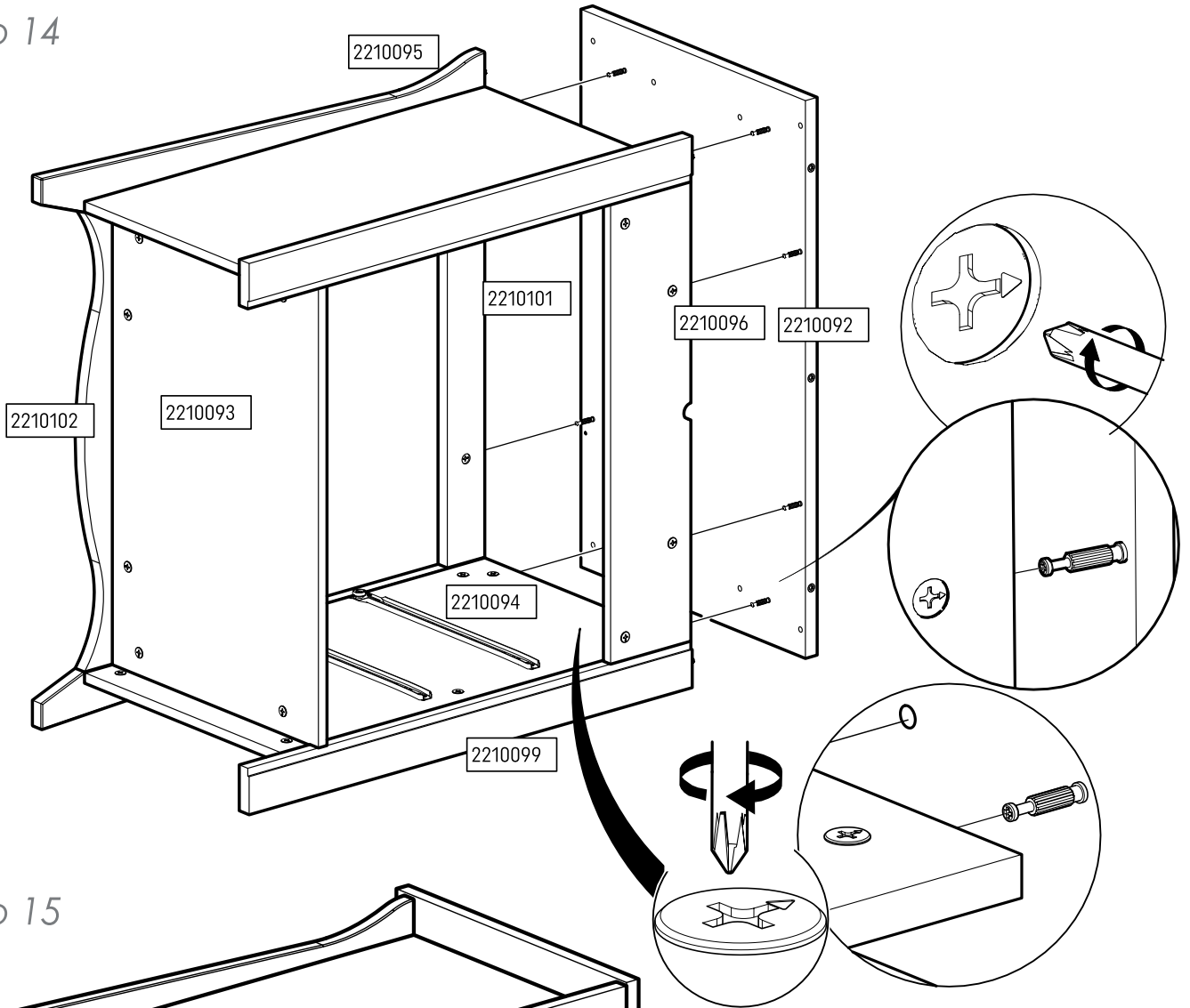
Step 12



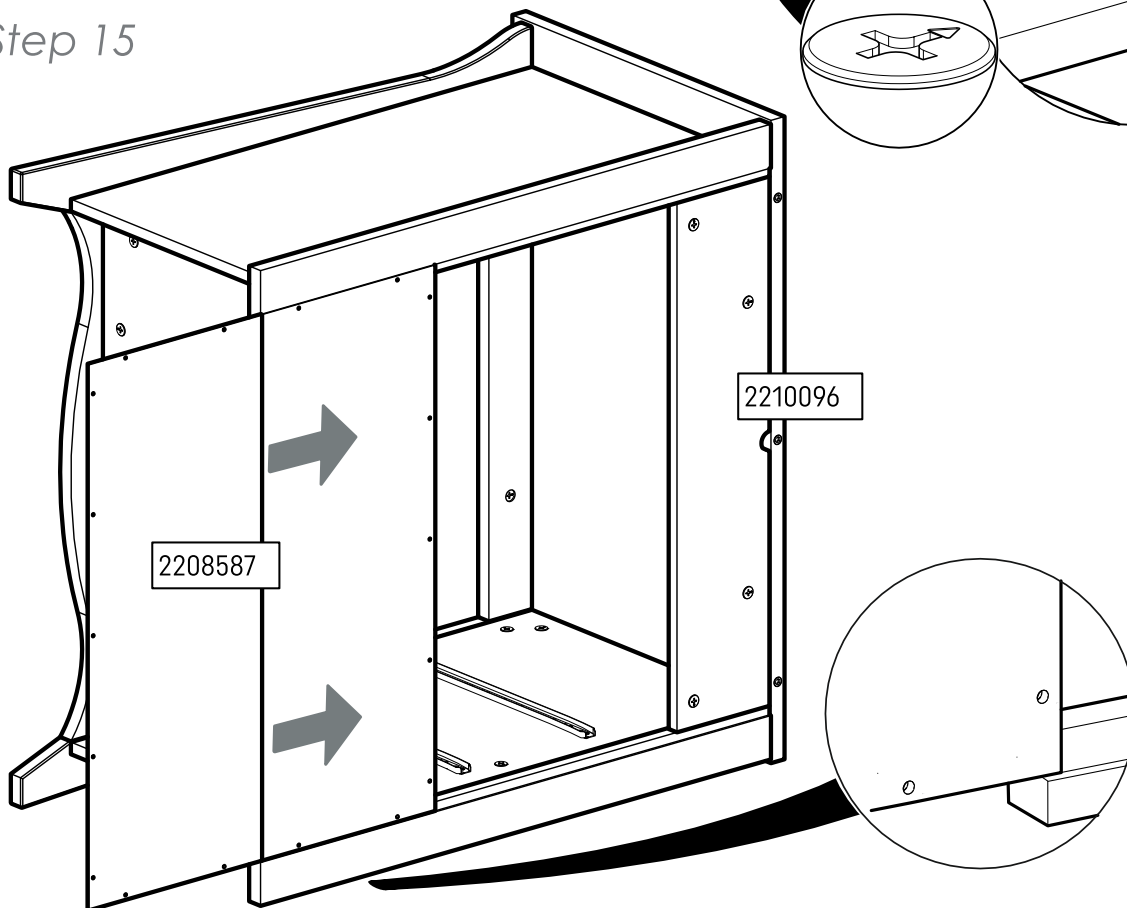
Step 13



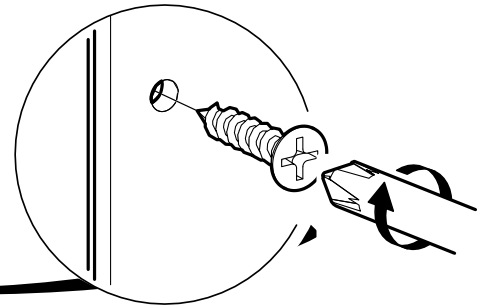
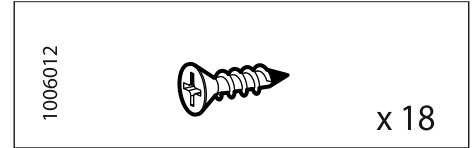
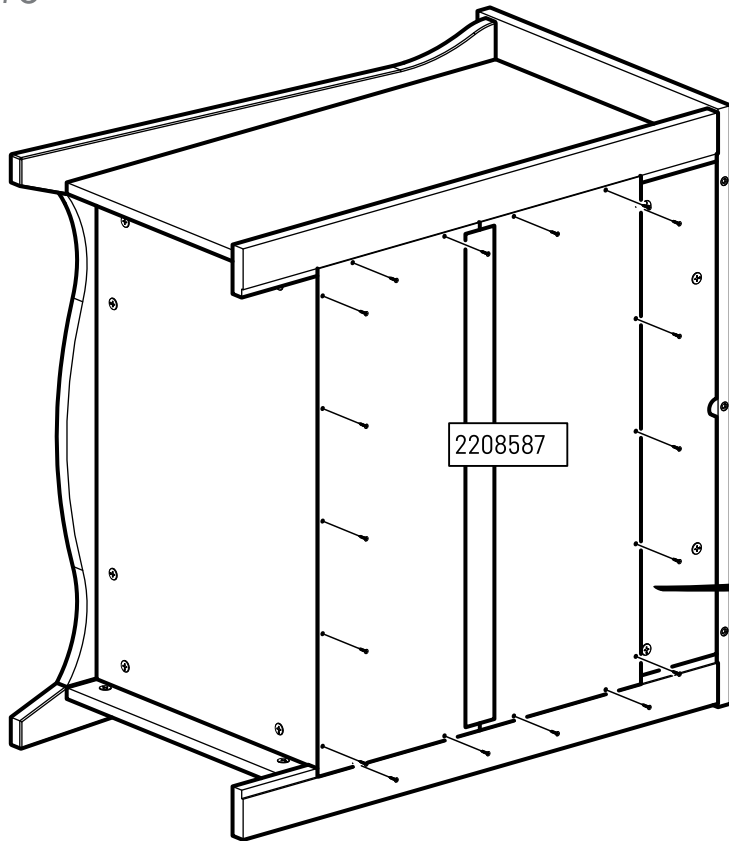
Step 14



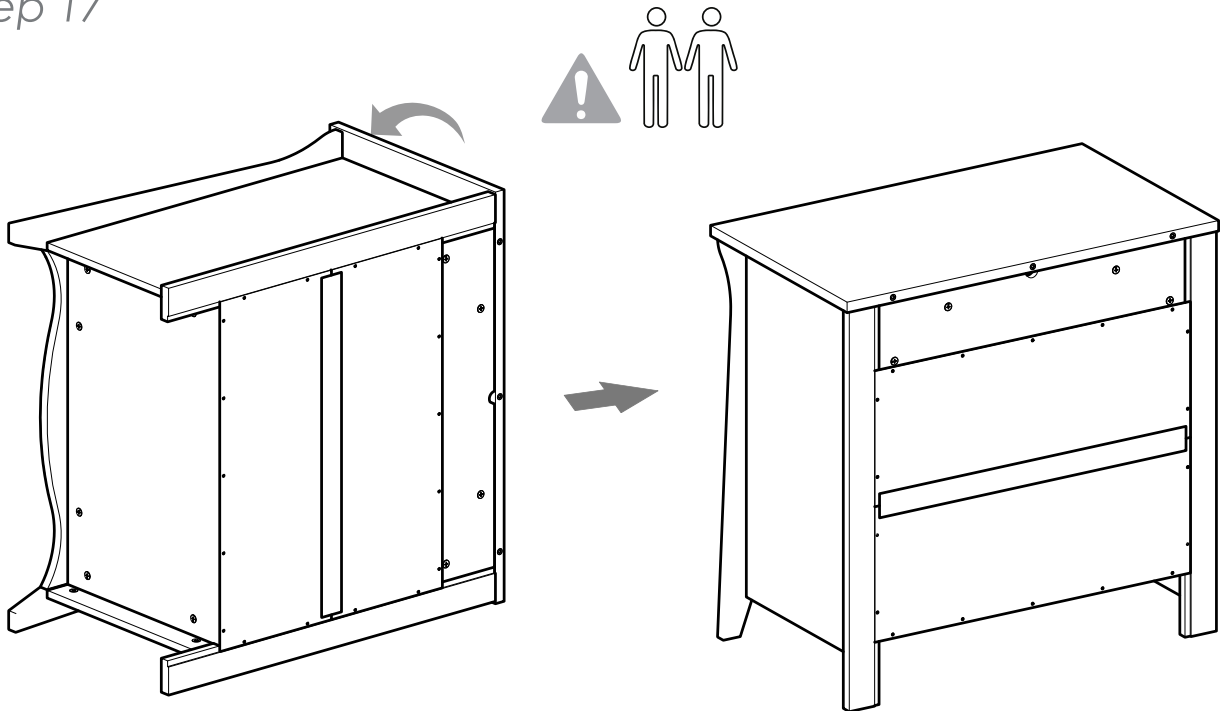
Step 15



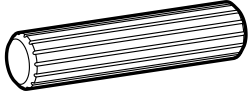
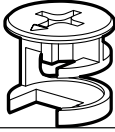
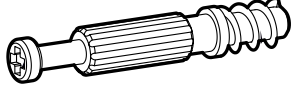
Step 16

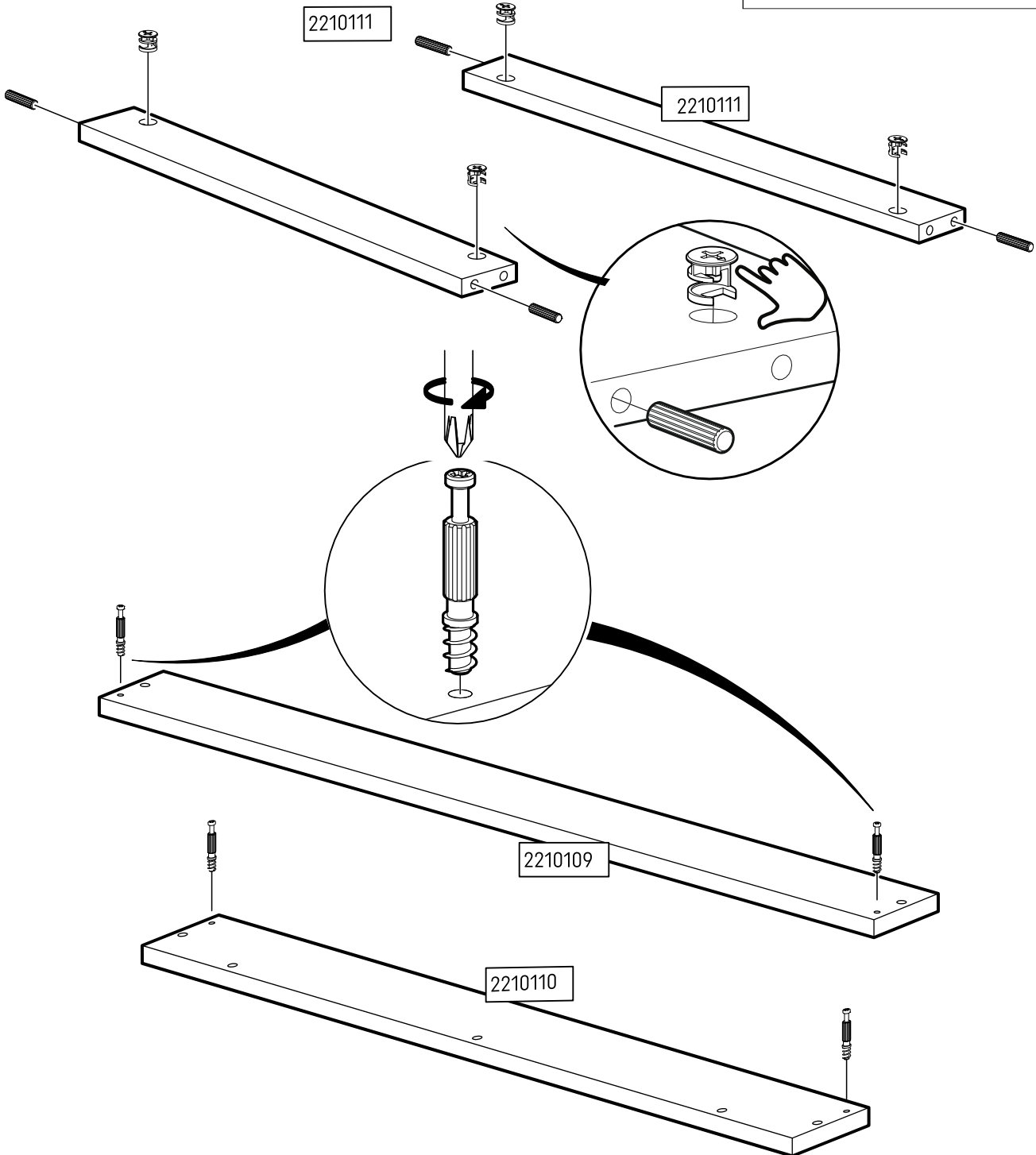


Step 17

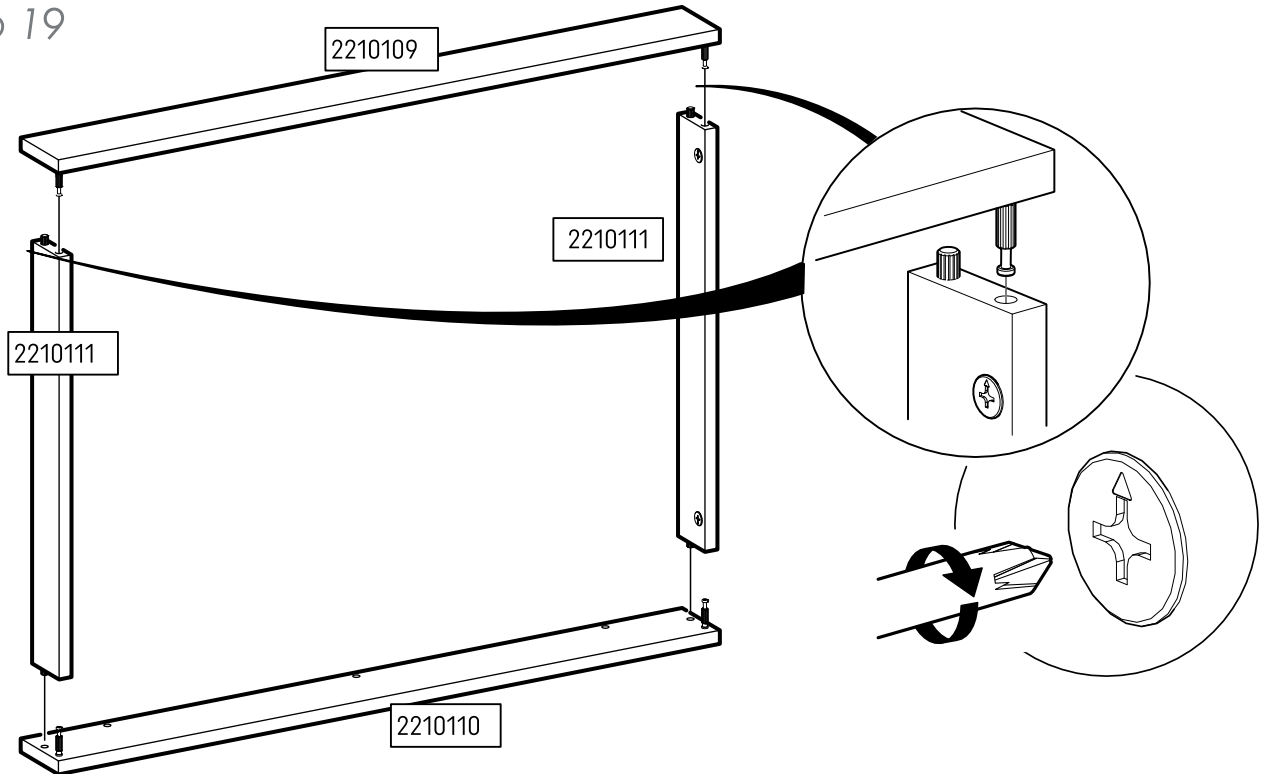


Step 18

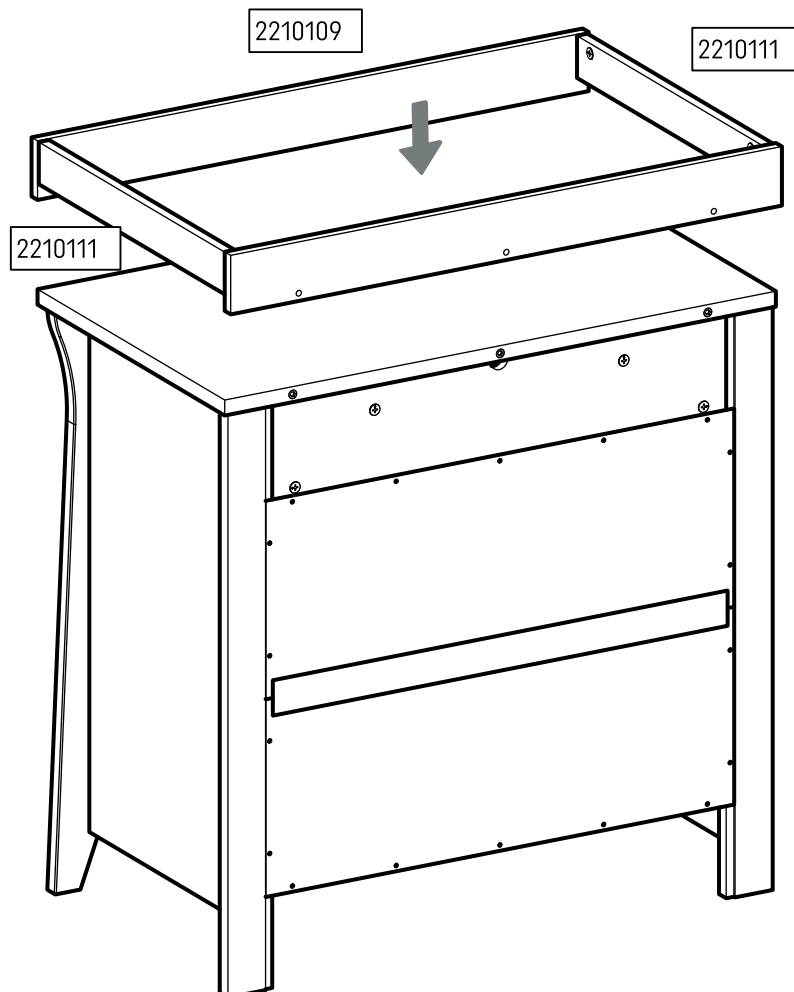
1005857		x 4	1005367		x 4
			1006091		x 4



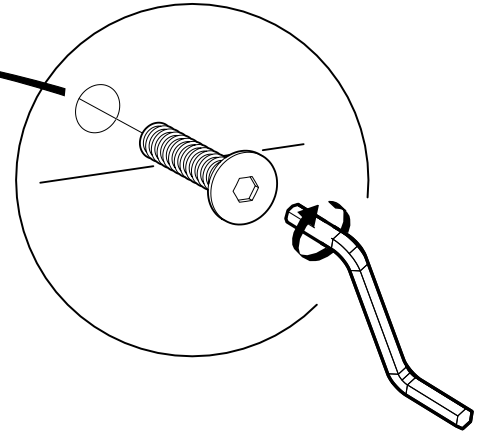
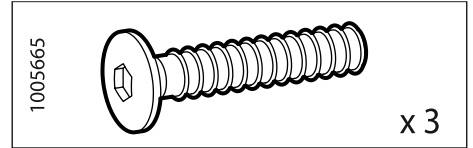
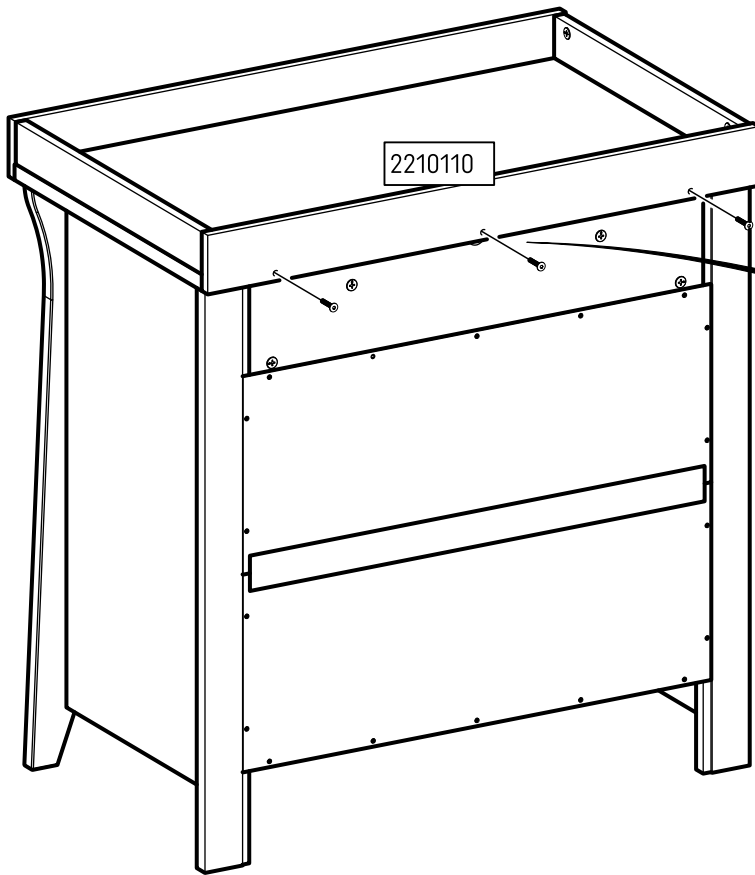
Step 19



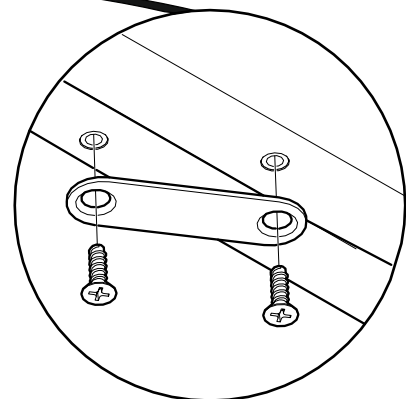
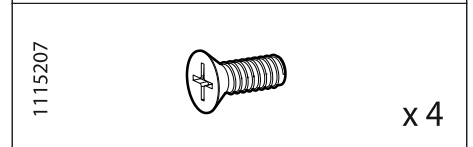
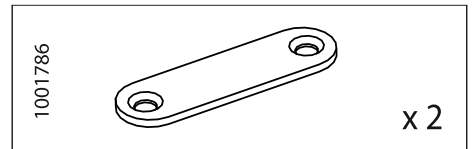
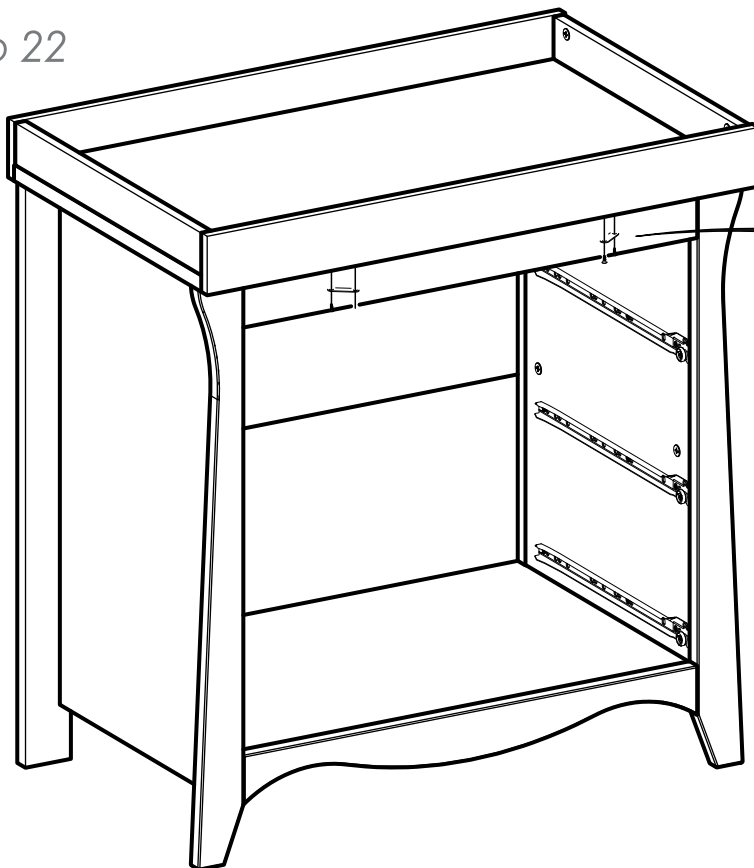
Step 20



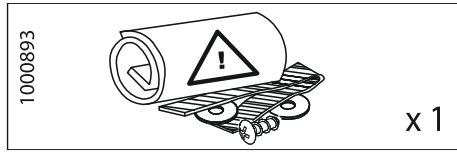
Step 21



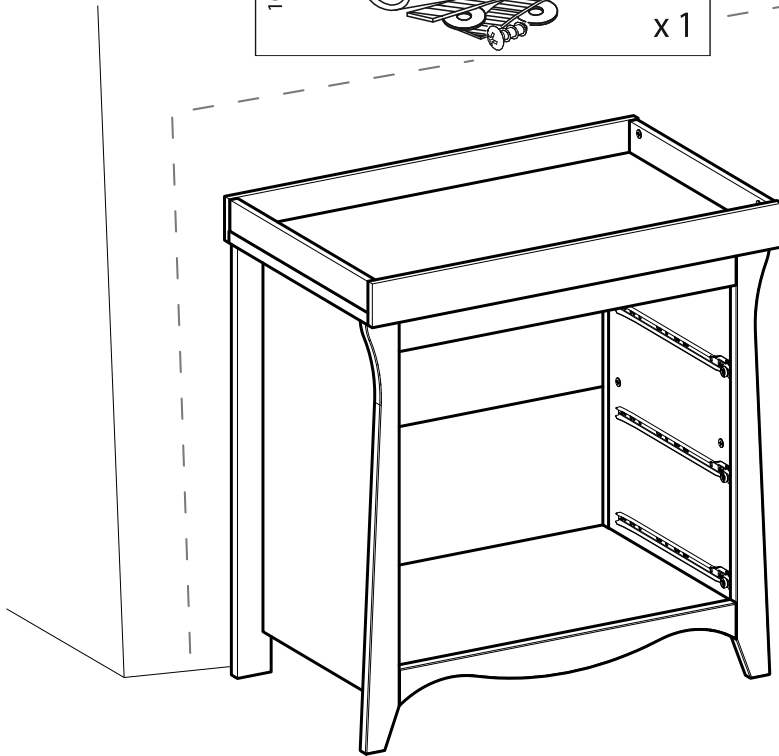
Step 22



Step 23

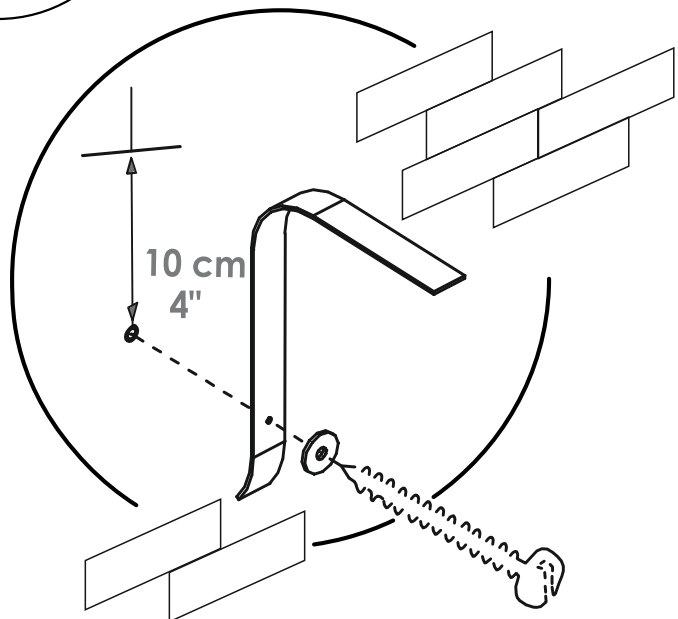
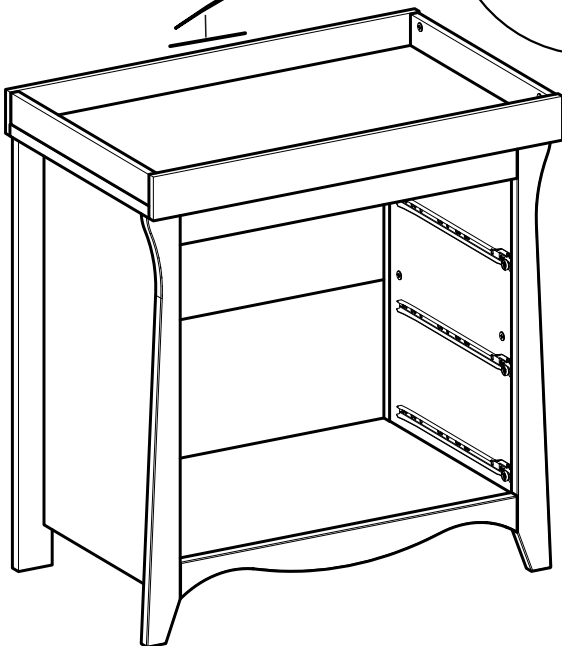
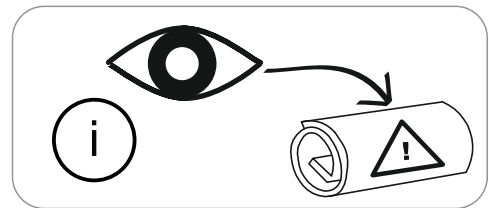
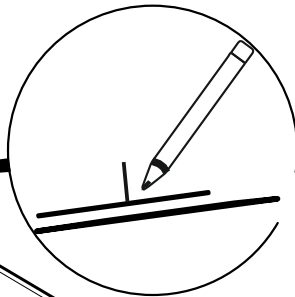


It is advised for safety reasons that the dresser is connected to the wall using the wall strap provided. All walls are different composition and it is important the correct fittings are used. Wall fittings are not supplied with this furniture and it is advised to consult a professional before fitting.



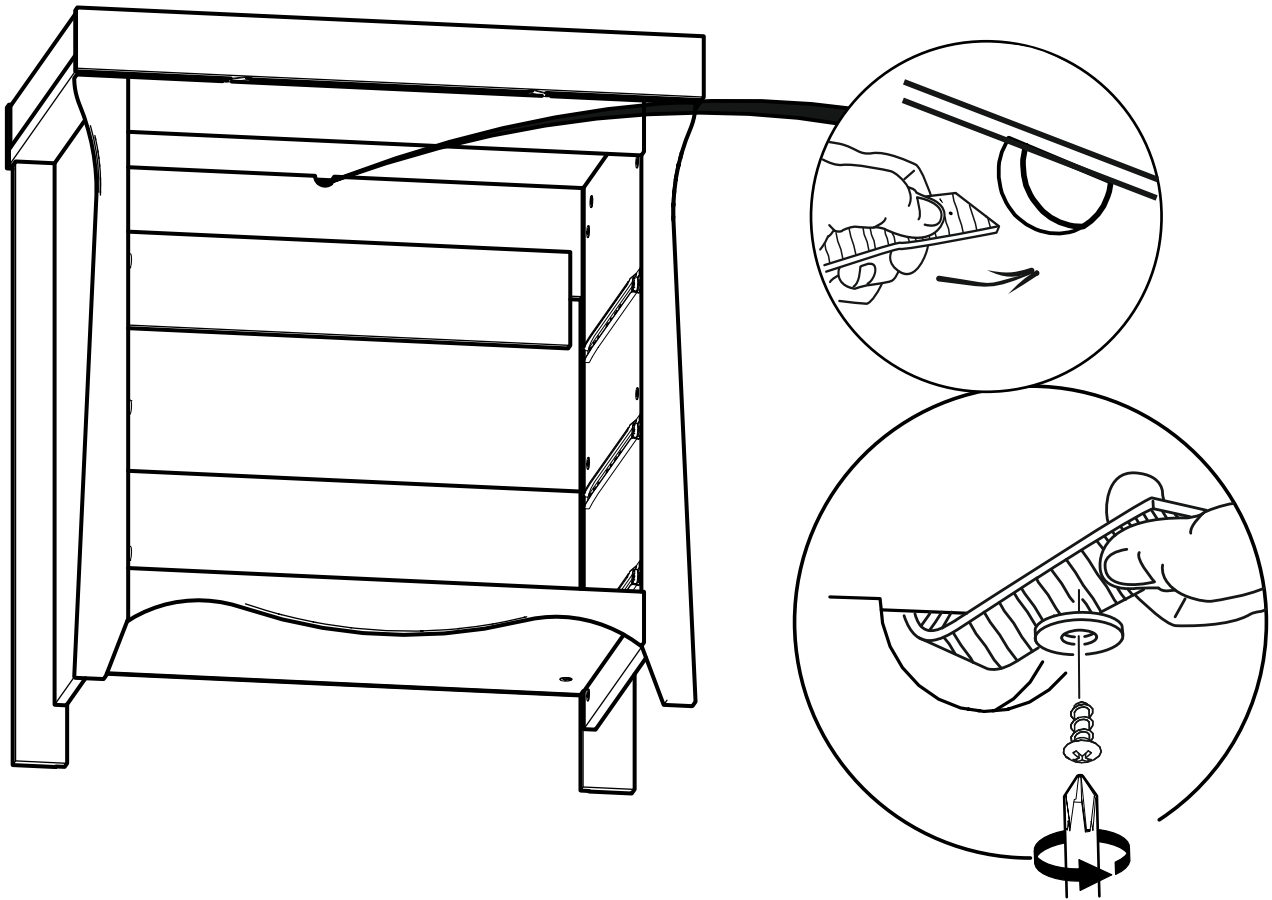
Fix the wall strap to the furniture as shown with the fittings provided – do not use these fittings to connect to the wall. Consult a professional before fitting the strap to the wall.

Step 24

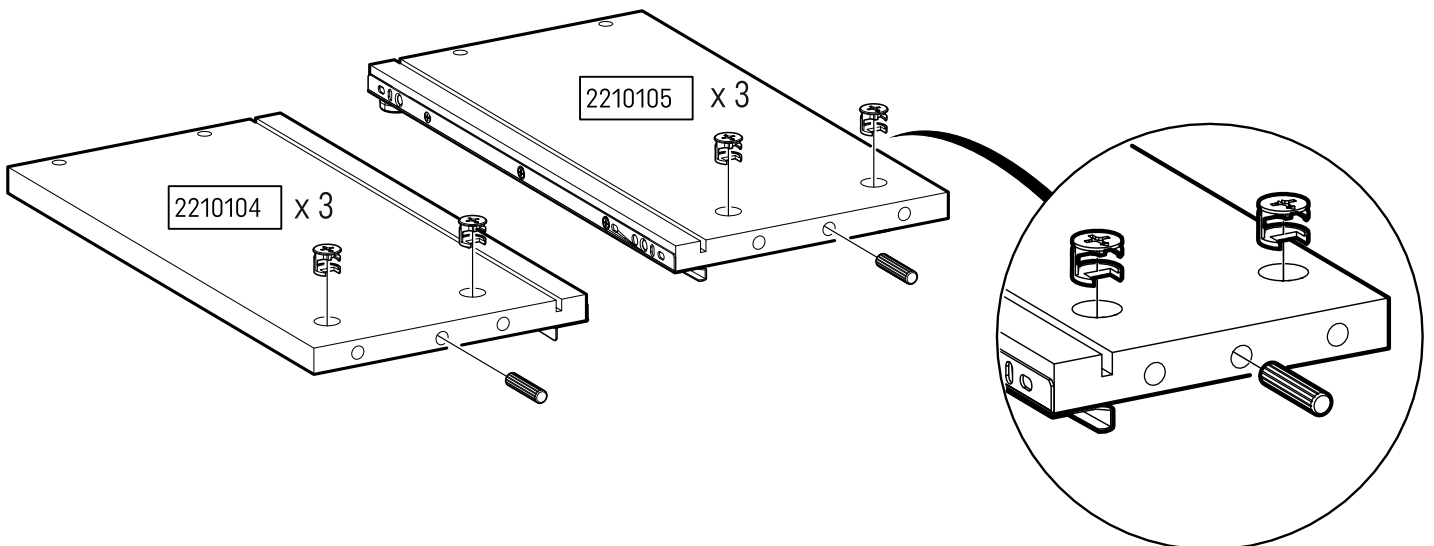
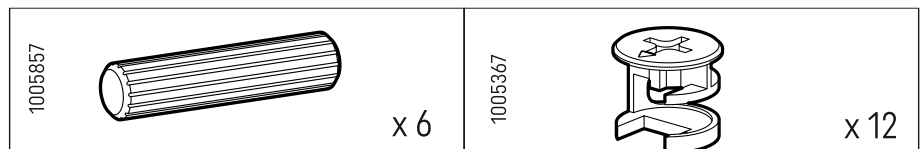


Step 25

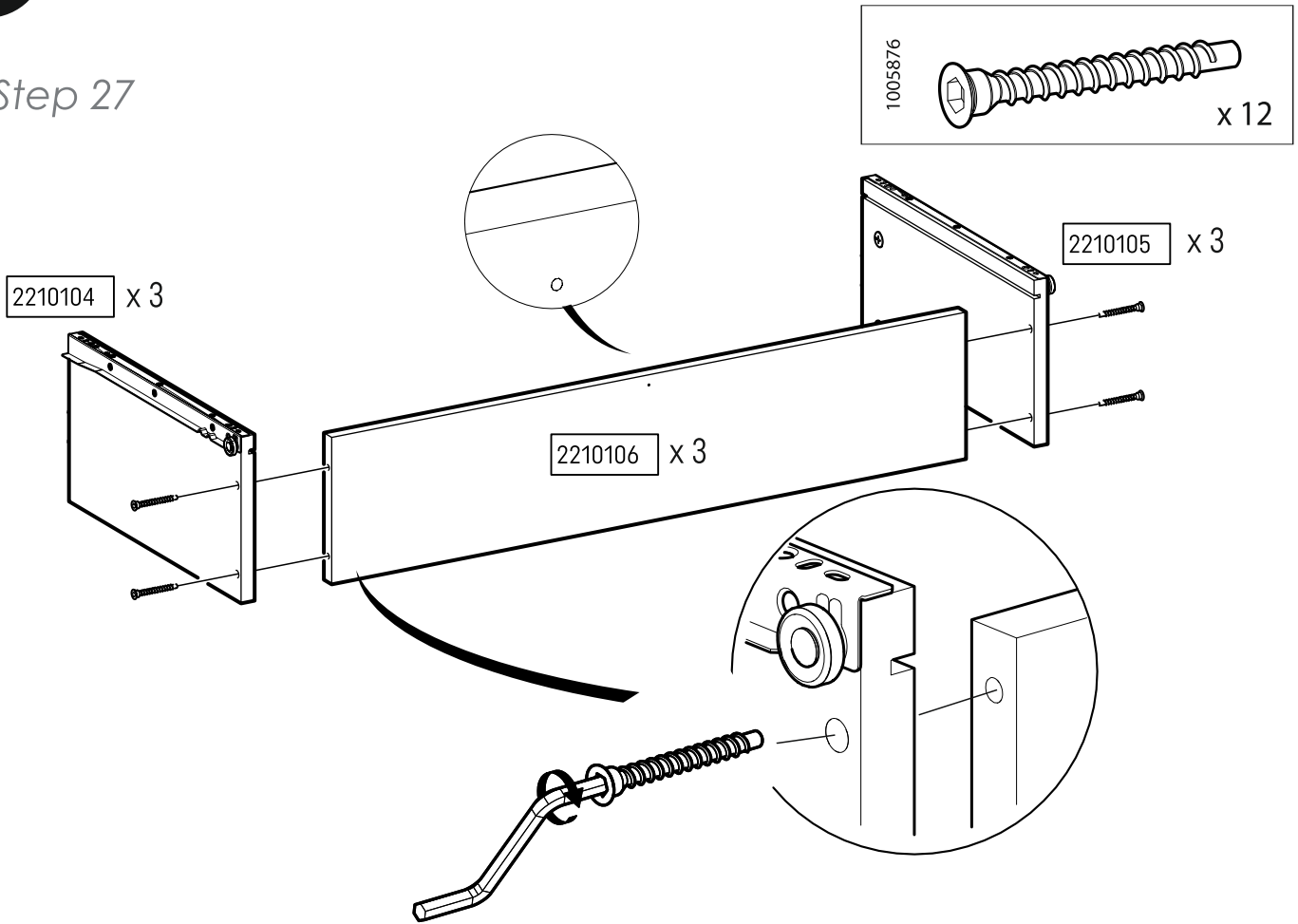
Feed the wall strap through the hole and secure it with the screw provided on the inside of the Dresser.



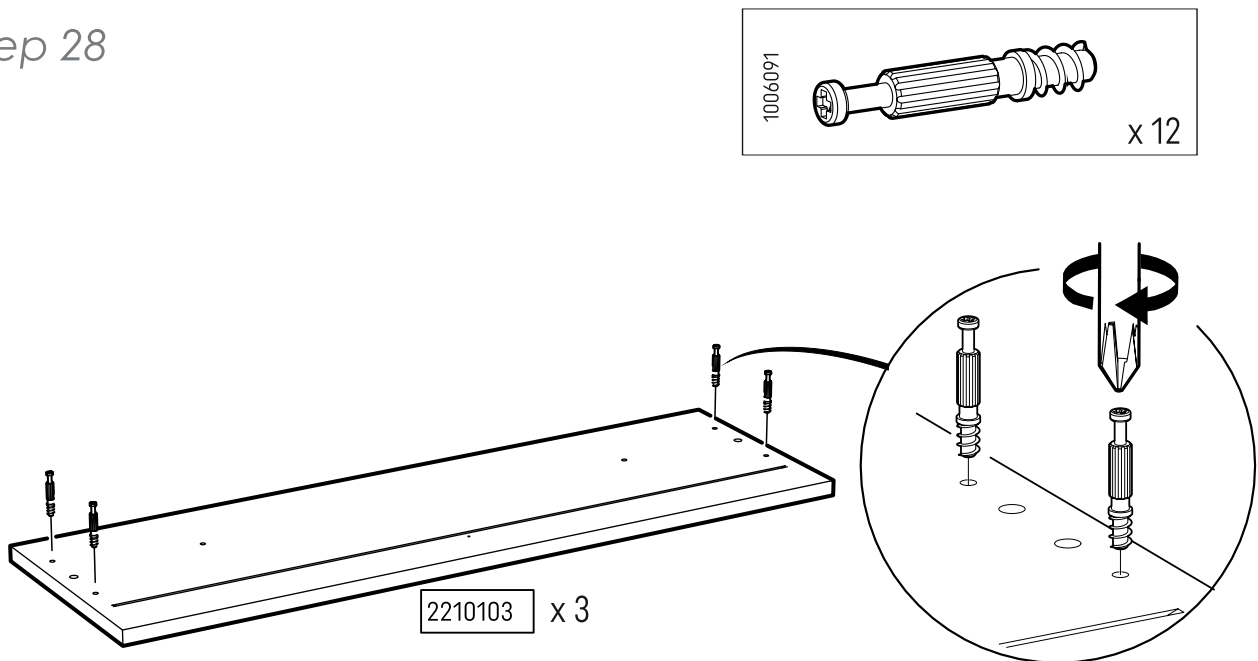
Step 26



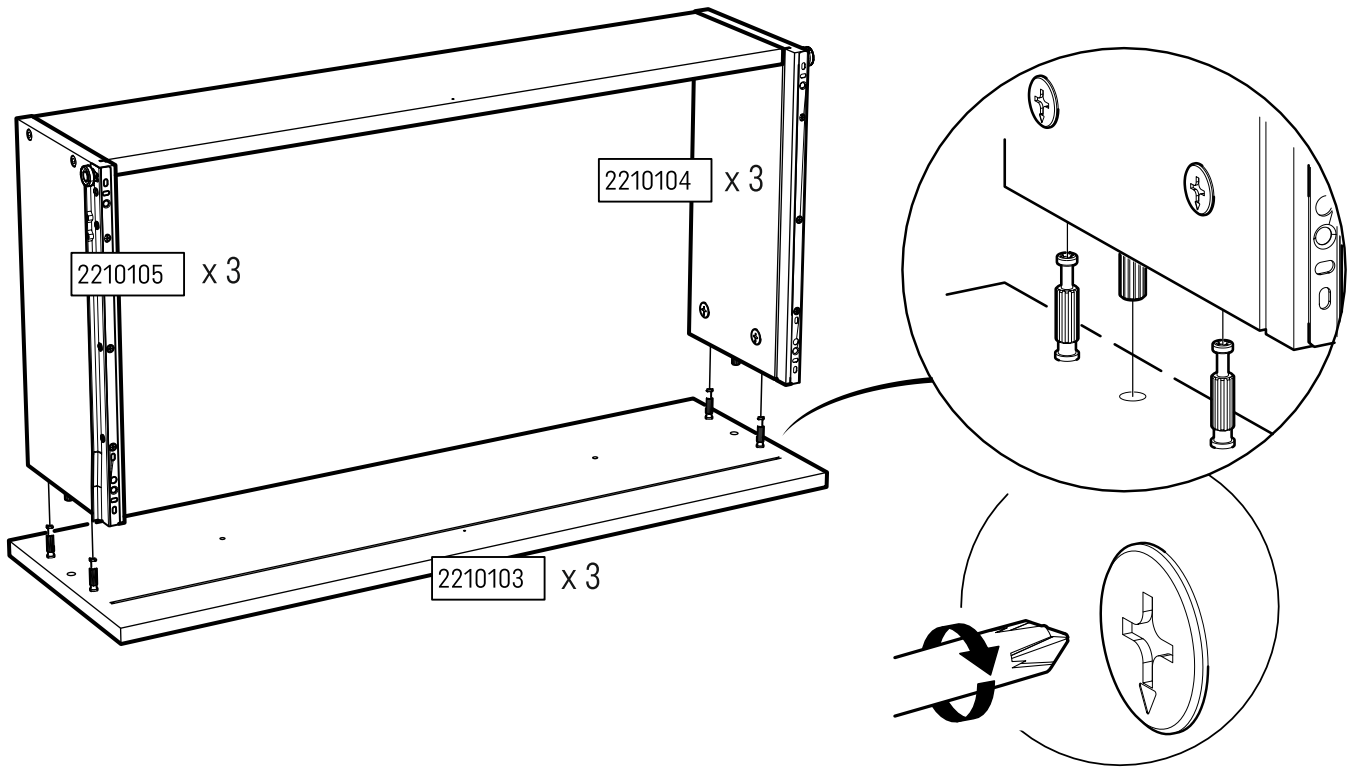
Step 27



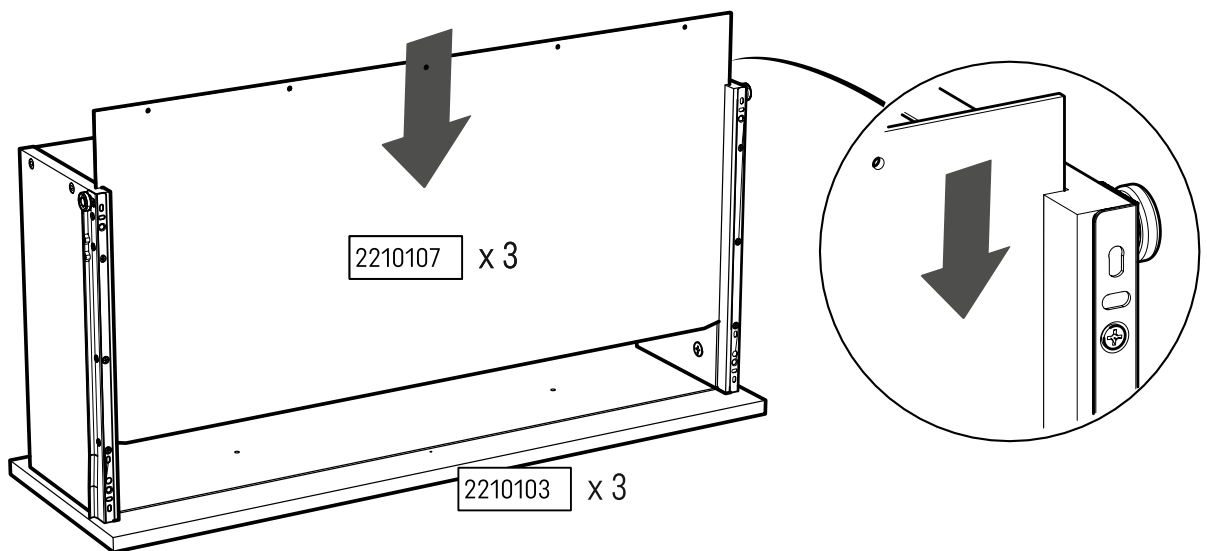
Step 28



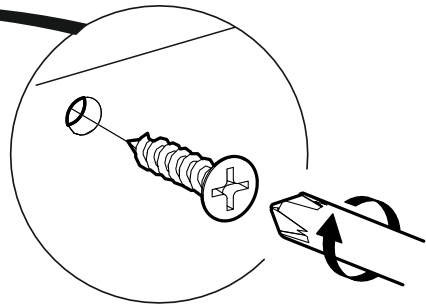
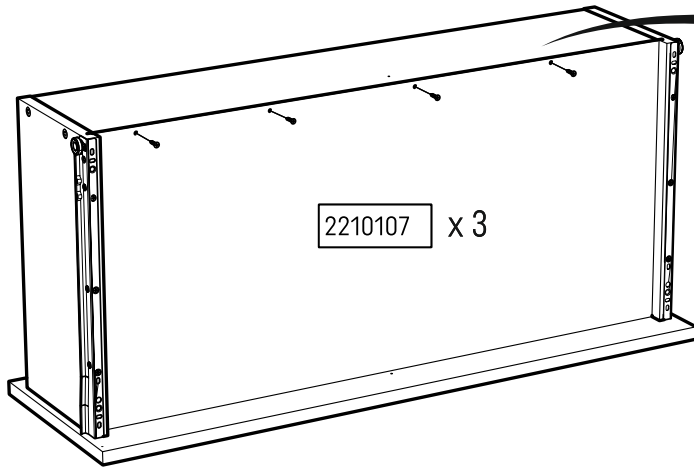
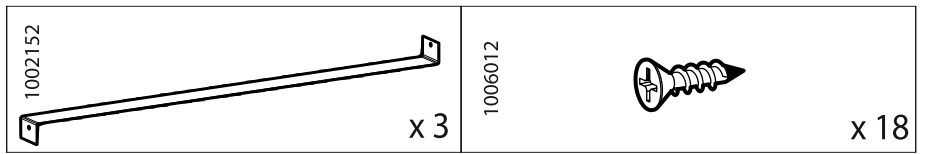
Step 29



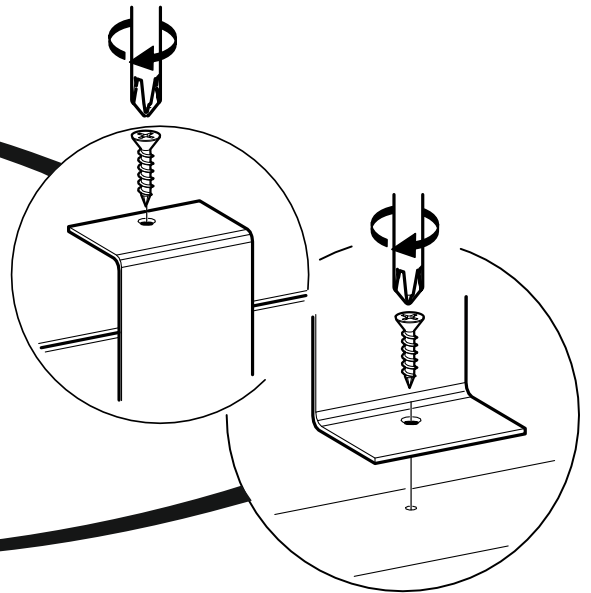
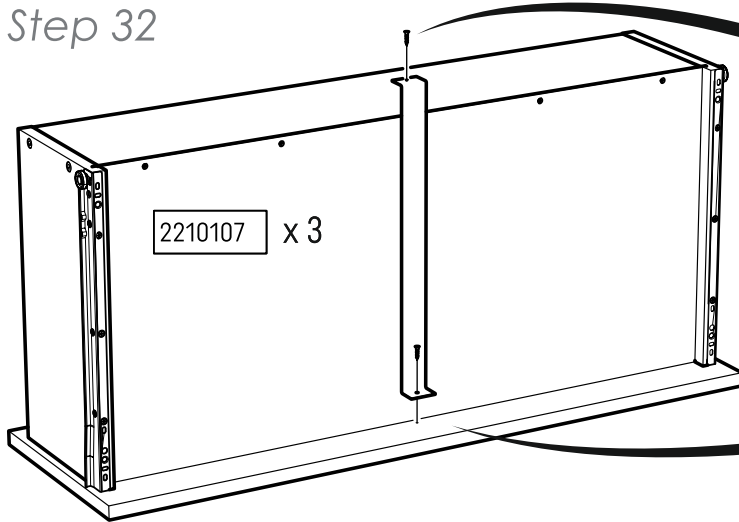
Step 30



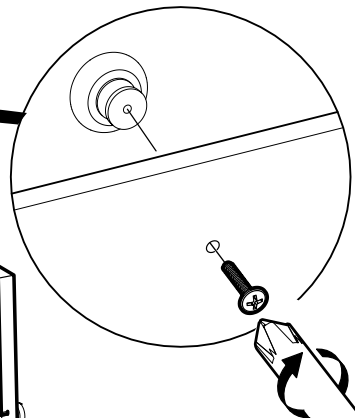
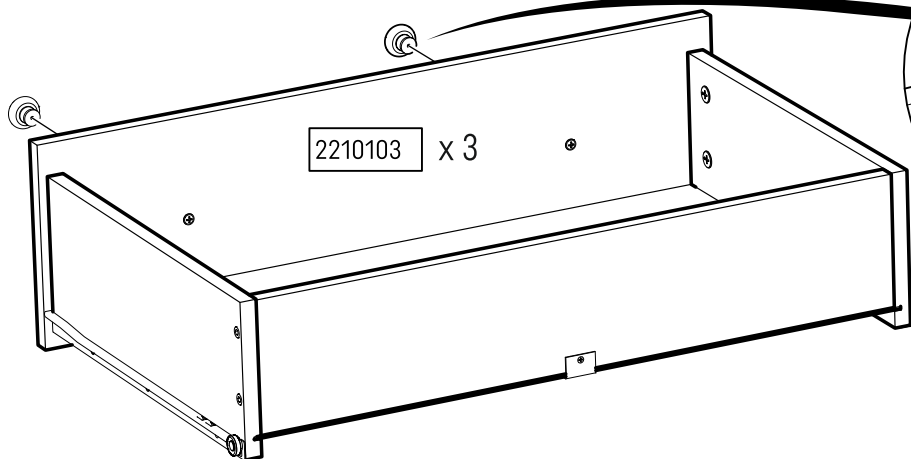
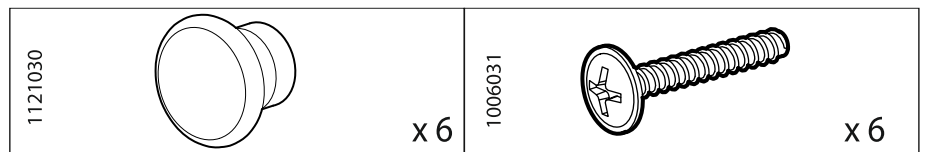
Step 31



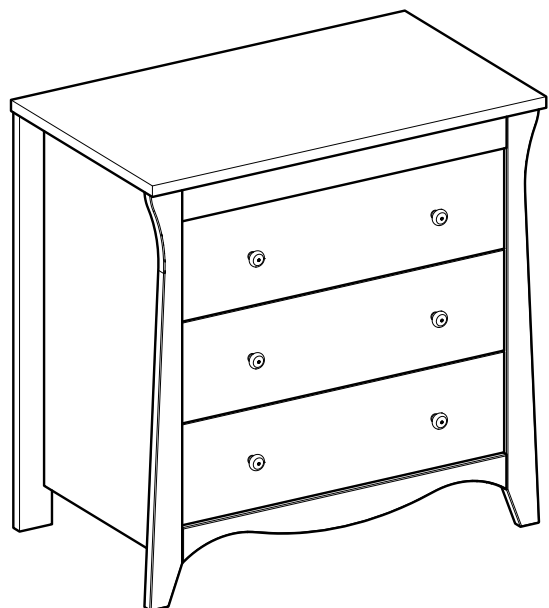
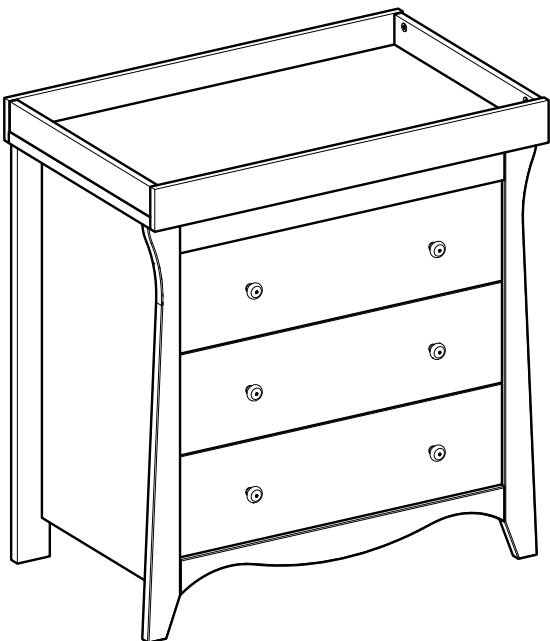
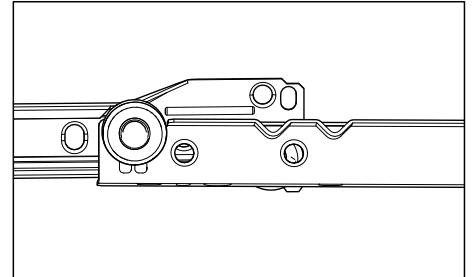
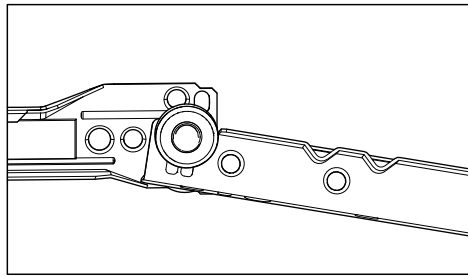
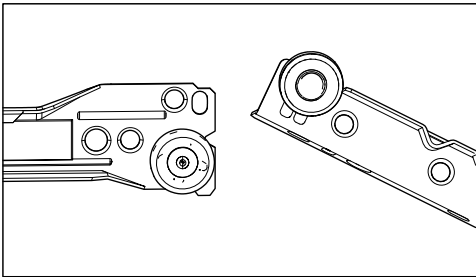
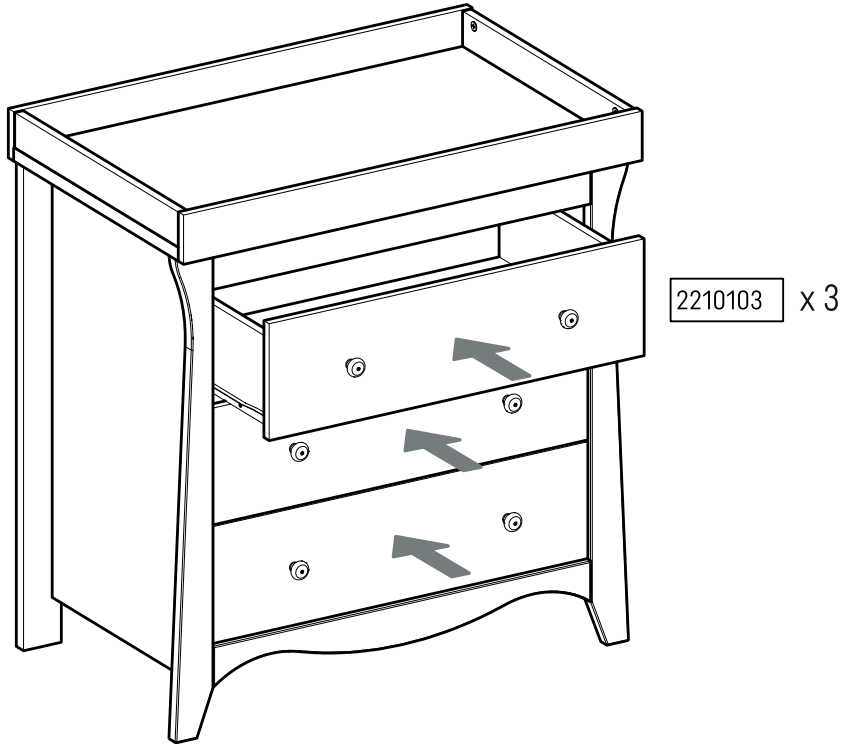
Step 32



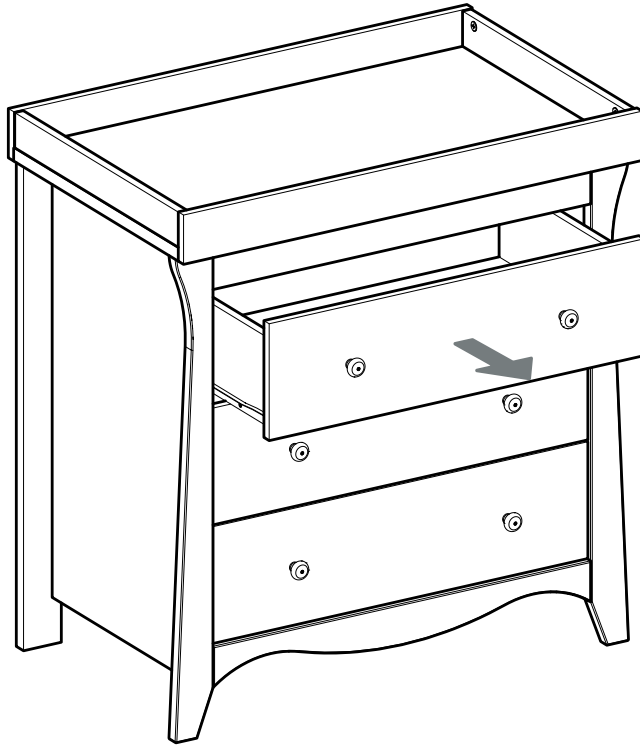
Step 33



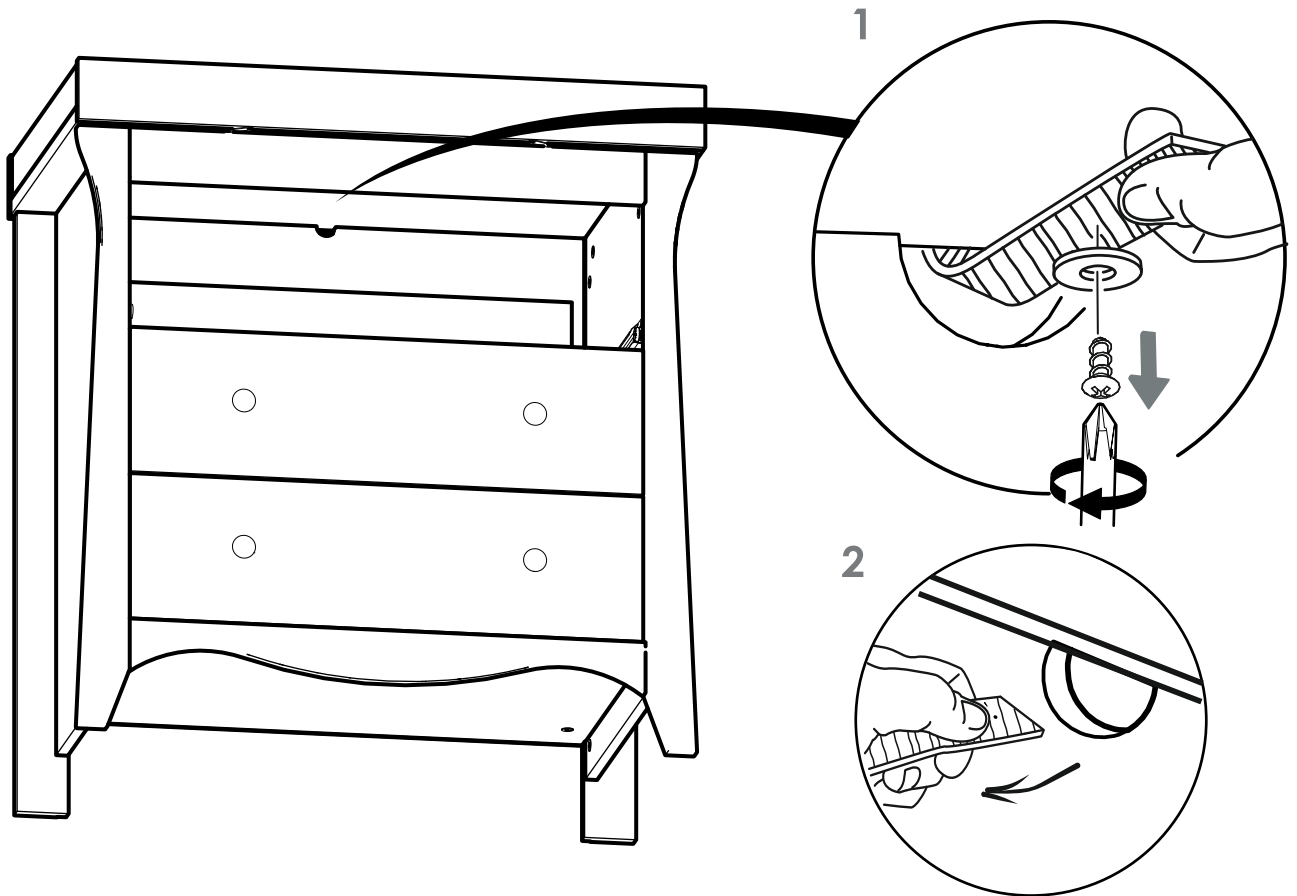
Step 34



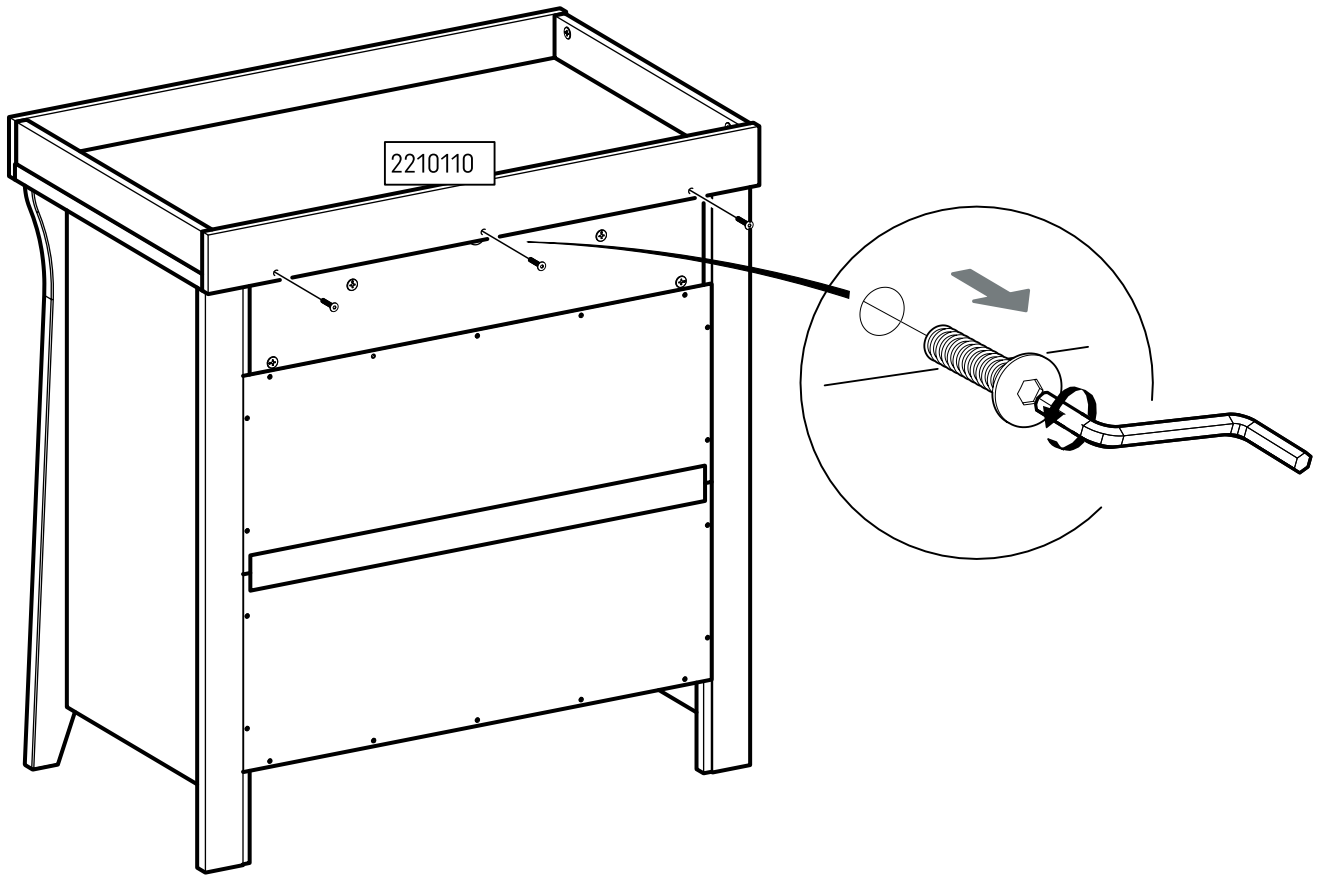
Step 35



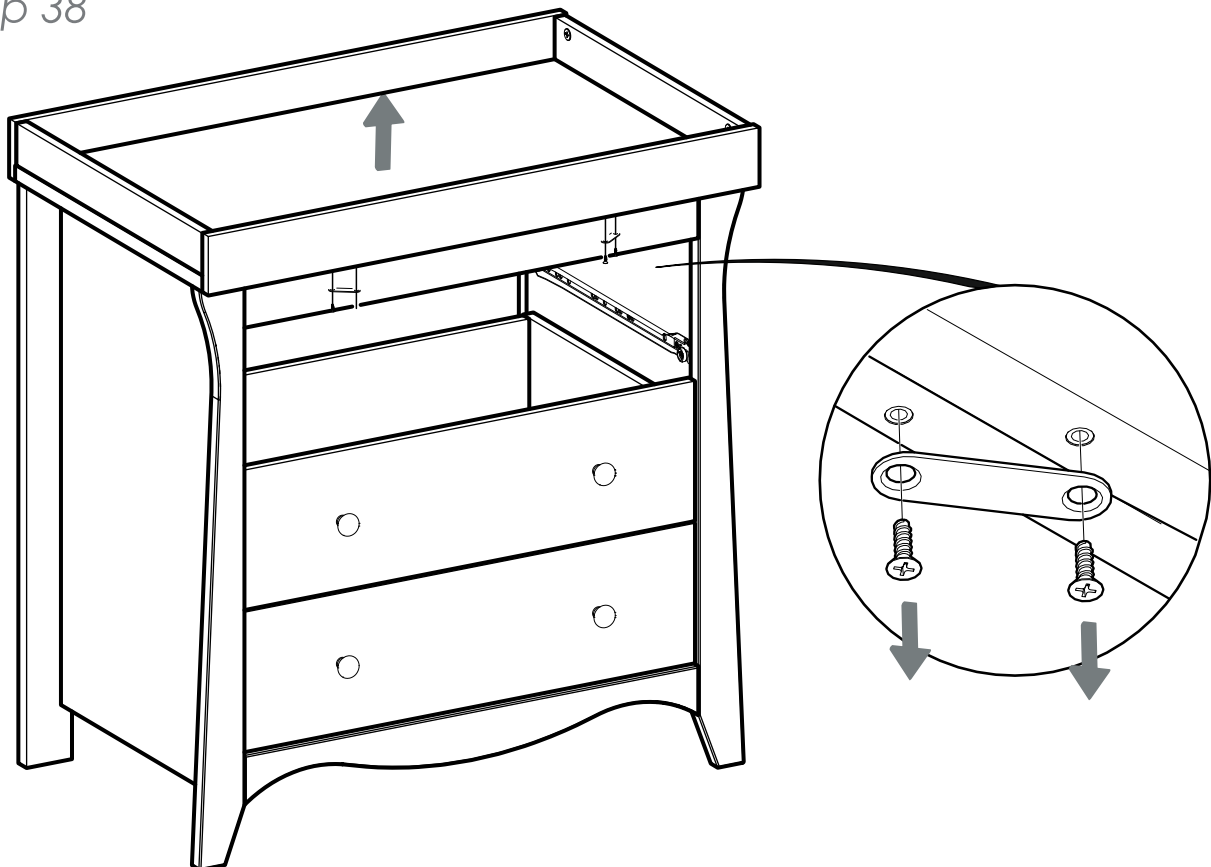
Step 36



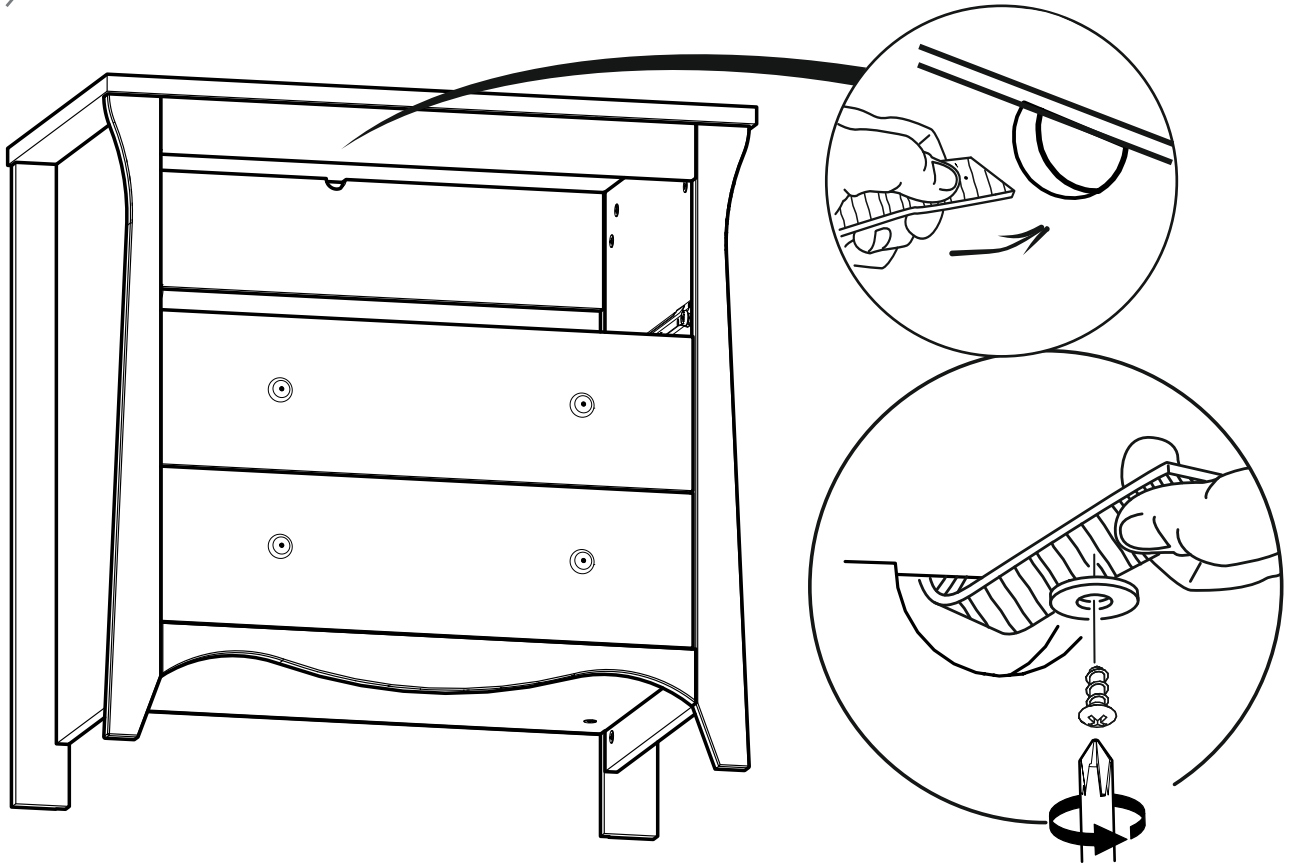
Step 37



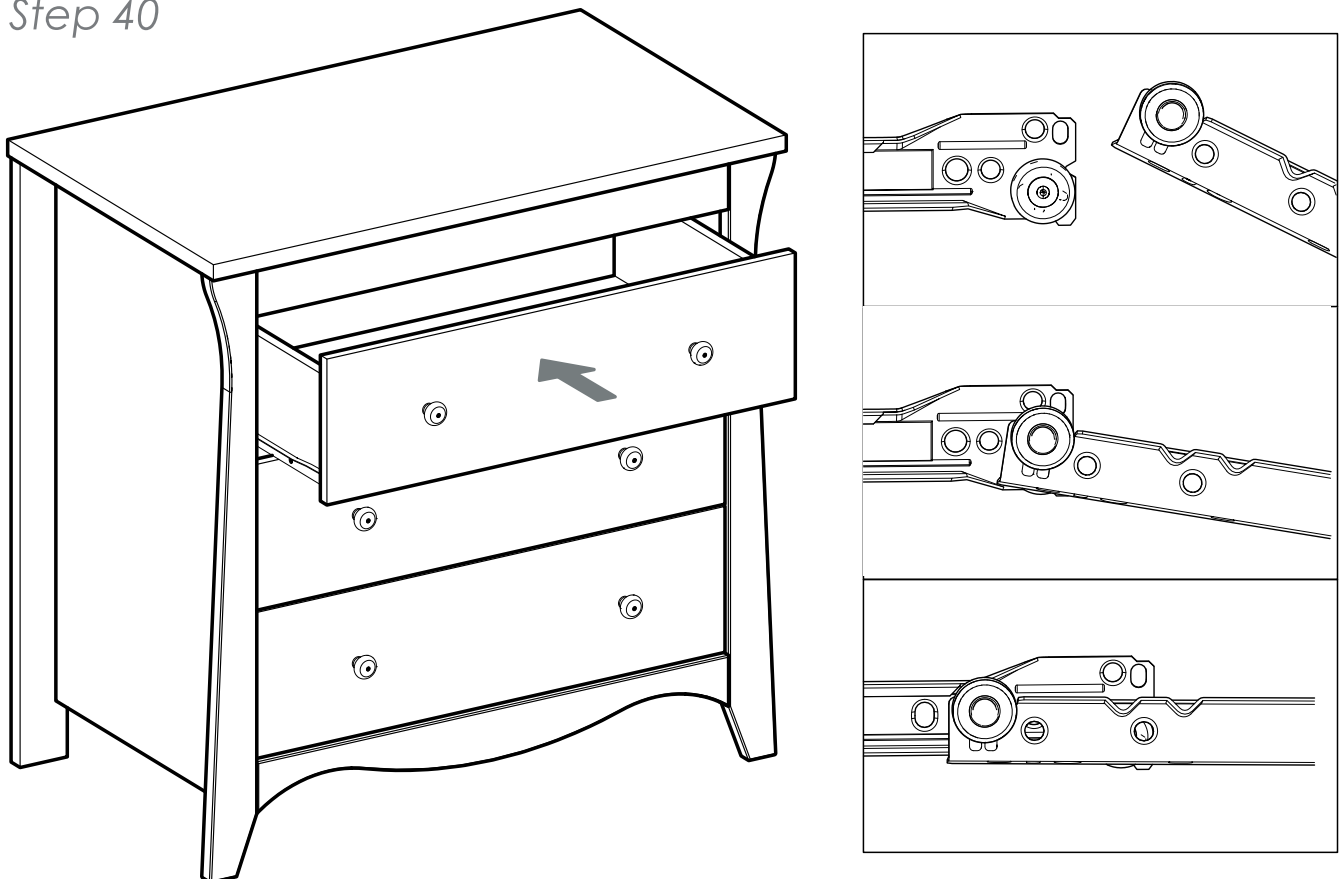
Step 38



Step 39



Step 40





CuddleCo®

2 ★★★★★
**year
extended
guarantee**
Simply register within 28 days!

Designed to care, built to last.



www.cuddleco.co.uk



CuddleCo®

Designed to care, built to last.

Visit our website www.cuddleco.co.uk for other nursery must haves including mattresses, nursing pillows, blankets etc.

Other brands available on www.cuddleco.co.uk

Mother & Baby doona™

CHILDHOME
MAKES MY LITTLE WORLD COMPLETE



@cuddlecouk



@cuddlecouk

DESIGNED IN THE UK

CuddleCo.2 Brindley Road,
Trafford Park, Manchester, M16 9HQ

www.cuddleco.co.uk