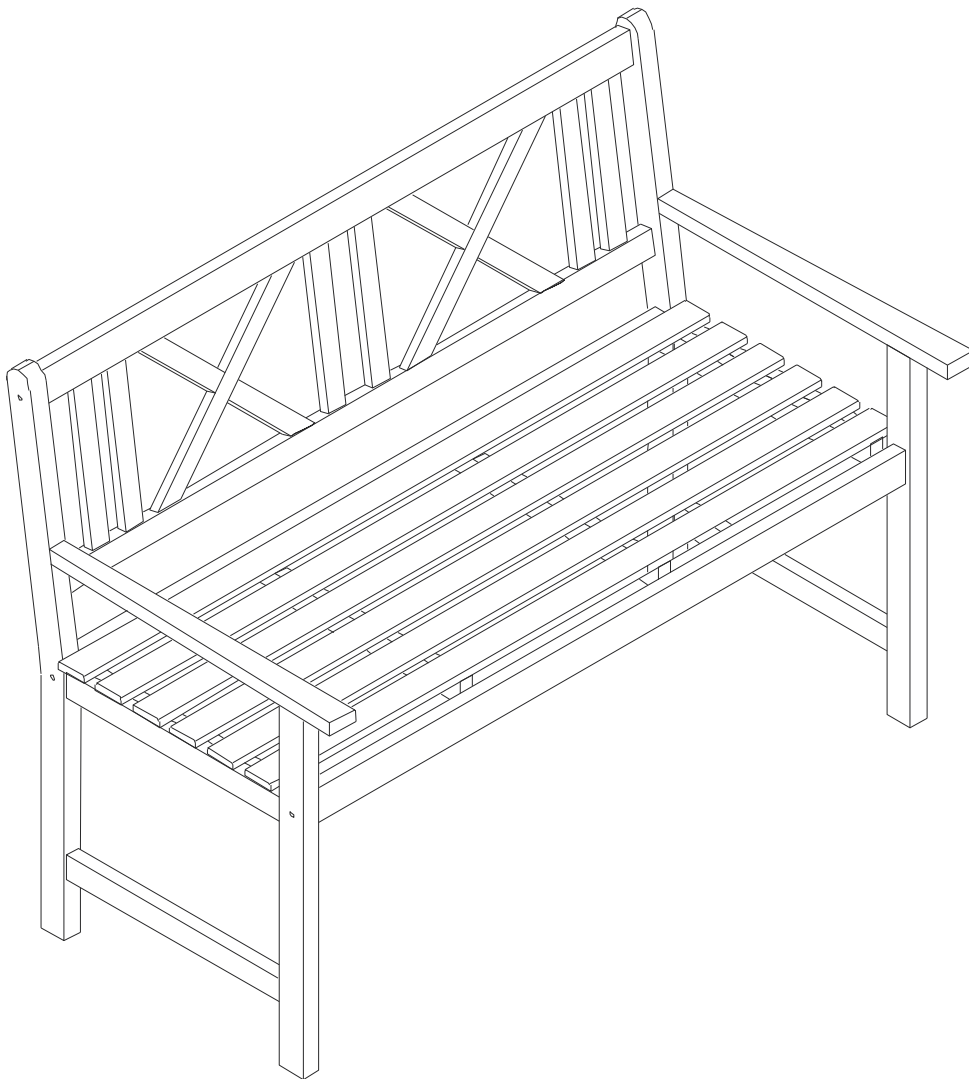


USER GUIDE



18-F-620-LT



INTRODUCTION

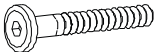

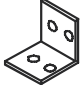




These instructions are provided for your safety. Please read them carefully before commencing.

IMPORTANT SAFETY INFORMATION

- Due to small parts keep children clear during assembly.
- Carefully layout all the parts on a clean, flat surface and compare with the parts checklist.
- Please retain all packaging until you are sure no parts are missing, then once you are satisfied with the product please dispose of all packaging responsibly.

- During assembly take care not to overtighten the bolts.
- When positioning your furniture ensure the ground is firm, level and dry.
- Take care when handling or moving furniture. Always lift with assistance to avoid damaging your product and maintain personal safety.
- Do not stand, jump or climb on the seat.
- Do not sit, stand or climb on the table.
- Ensure all fittings are fully tightened before use and checked regularly and re-tightened as necessary.

FIXINGS LIST

Piece	Description	Illustration	Quantity
1	M6x65		x8
2	M6x13		x8
3	Pat L		x4
4	Allen Key		x1
5	M4x20		x16
6	M4x30		x4
7	M6x40		x1

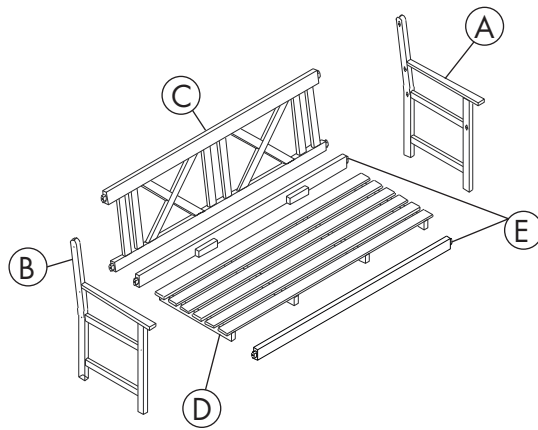
Assembly tools provided.

PARTS LIST

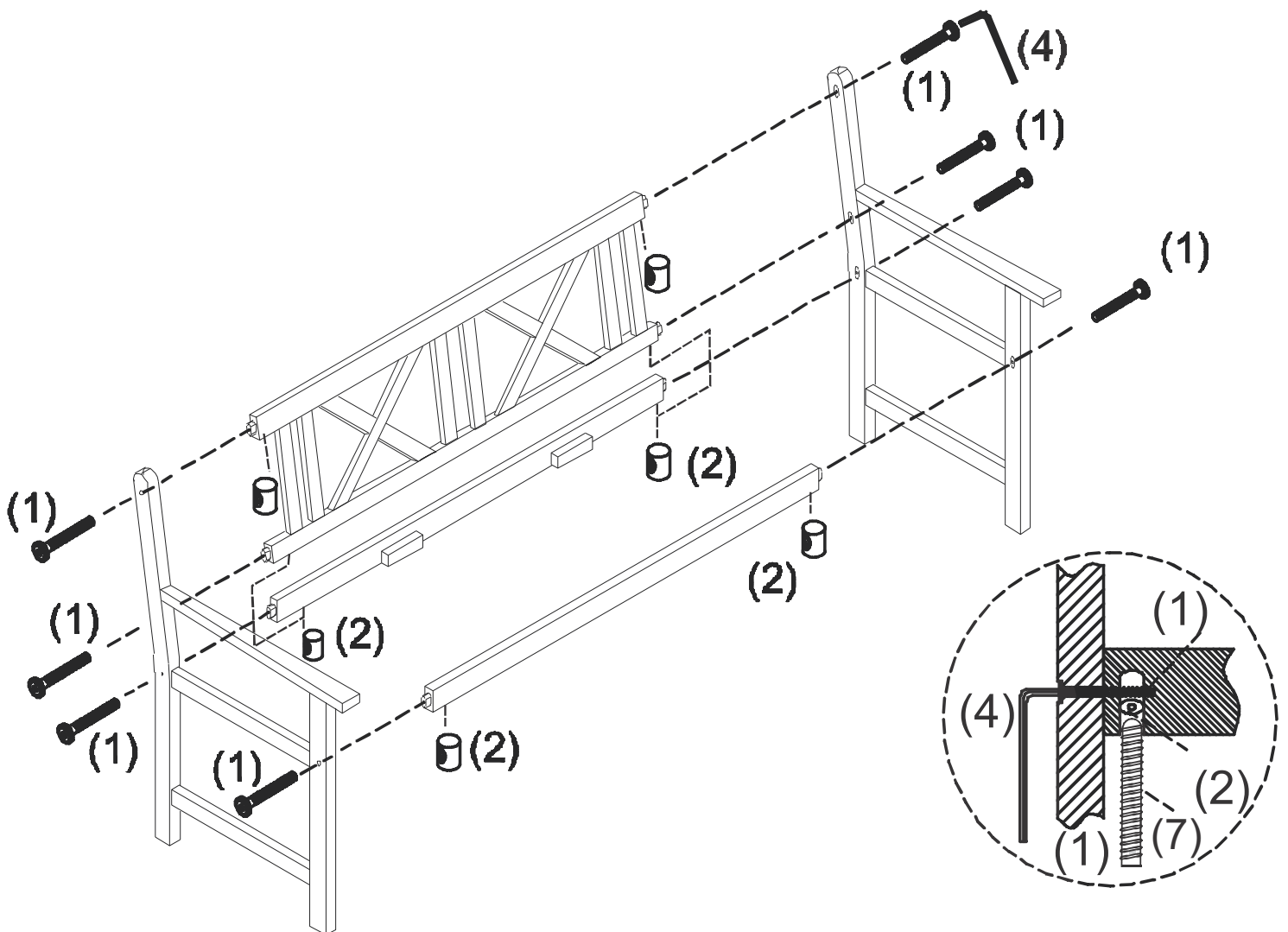
Numbered parts can be found in the following numbered boxes.

BOX

- PART A
- PART B
- PART C
- PART D
- PART E x 2



ASSEMBLY INSTRUCTIONS - STEP 1



ASSEMBLY INSTRUCTIONS - STEP 2

