

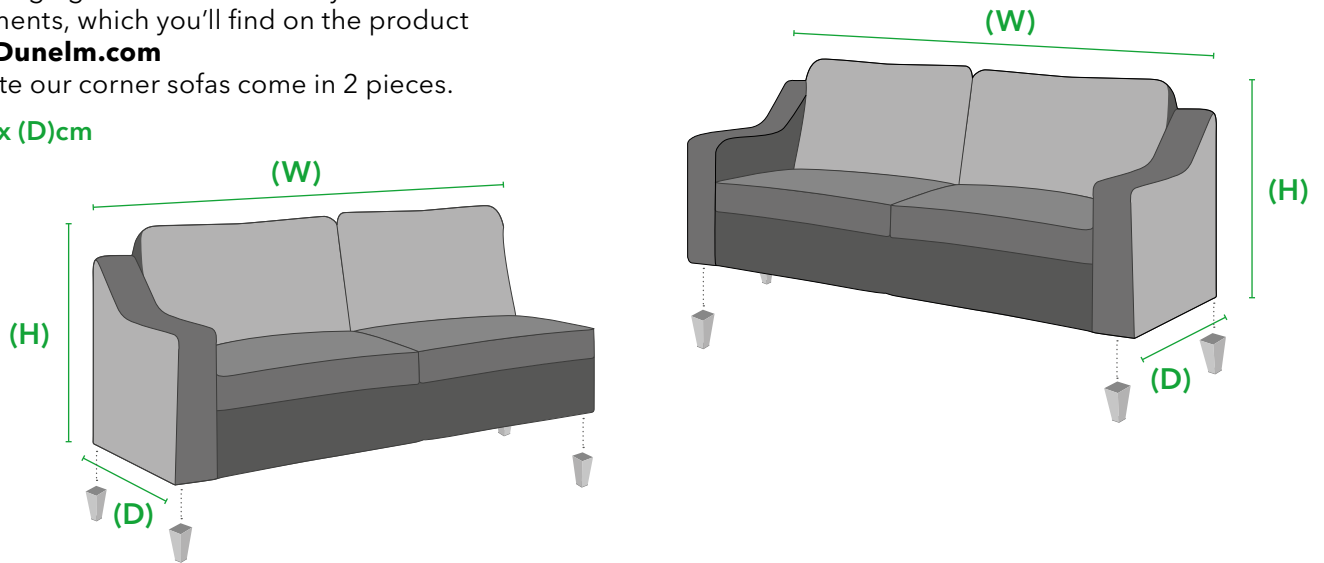
Measuring for Furniture Delivery

How to measure your item

Use this image guide to understand your item's measurements, which you'll find on the product pages at [Dunelm.com](https://www.dunelm.com)

Please note our corner sofas come in 2 pieces.

(H) x (W) x (D)cm



TOP TIP:

✓ Most of our sofas have removable legs, which will reduce the height (H) by 3.5cm - 18cm.

Fitting it through the front door

PLAN A

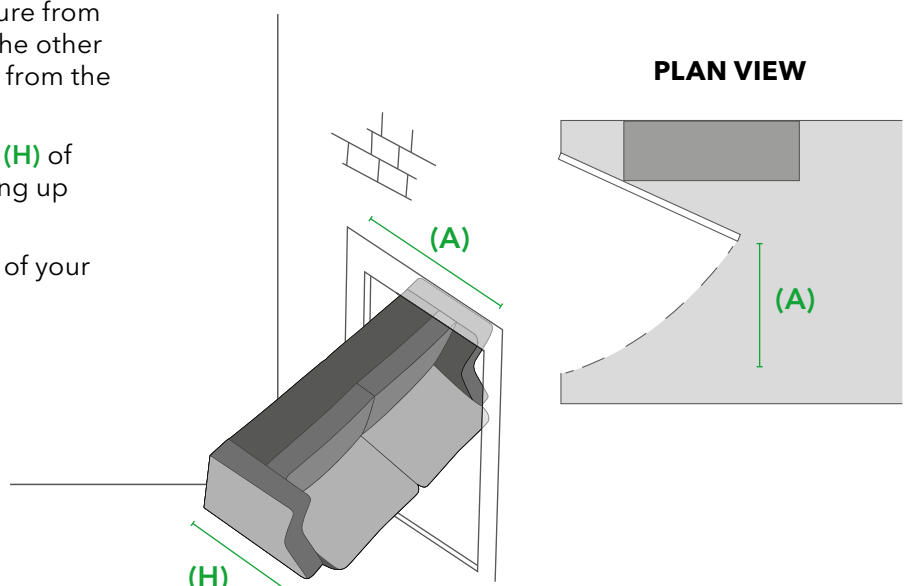
Open the door as far as you can, and measure from edge of the door attached at the frame to the other side of the door frame (A). Always measure from the narrowest points.

If the width of (A) is greater than the height (H) of your furniture, you can move on to measuring up your hallway and internal doors.

If the width of (A) is less than the height (H) of your furniture, try **PLAN B**.

TOP TIP:

✓ From the narrowest point, measure from the inside of the door to the opposite side of the door frame.



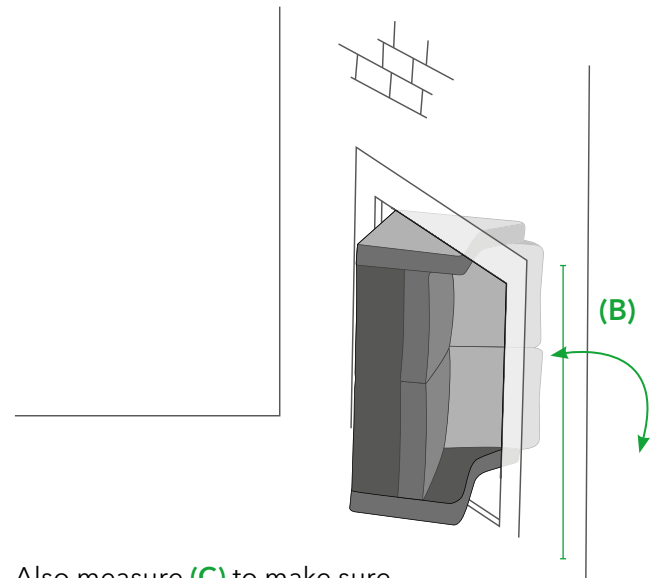
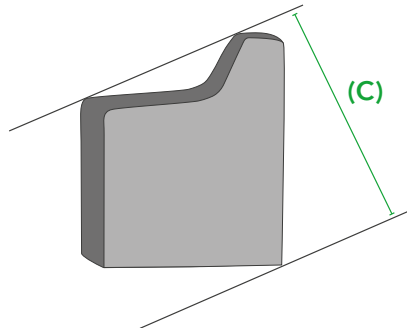
PLAN B

Now we're going to see it will fit through your door frame if it's upright. Note the lowest point of your door frame, and compare it with the furniture's width (**W**).

If (**B**) is taller than the width of the item, it should fit through once it's vertical. This option only works if there is enough room to move around safely.

TOP TIP:

✓ Remember to take handrails, lights and radiators into consideration.



Also measure (**C**) to make sure your furniture will be able to turn around any corners.

Hallway and internal doors

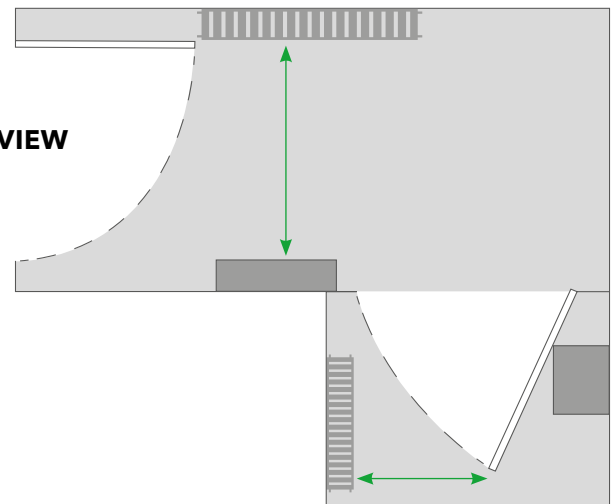
Check the height (**H**) of your furniture is less than the width of your hallway at its narrowest point.

For internal doors follow our instructions for fitting through the front door to make sure you'll be able to move your furniture through, and move around safely.

TOP TIP:

✓ Remember to account for any radiators, light fixtures or fixed cupboards in the hallway.

PLAN VIEW



Going up the stairs

Find the narrowest point of your stairs and measure the width, including handrails, picture frames or light fittings that might obstruct the furniture (**E**).

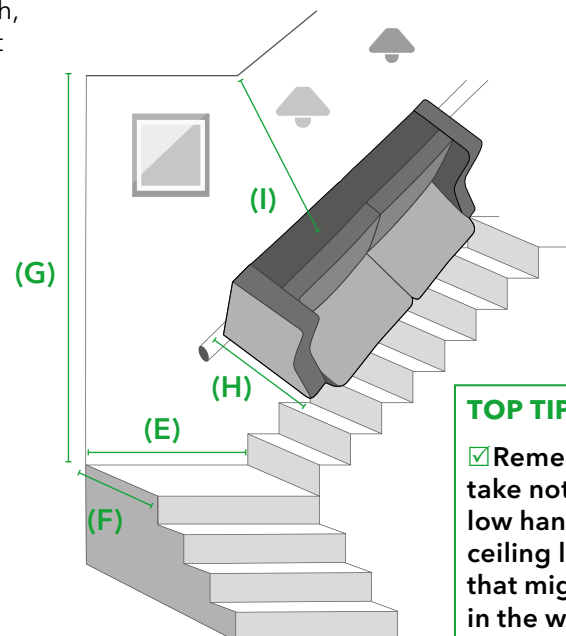
If the narrowest point of the staircase (**E**) is greater than the height (**H**) of your furniture, it should fit.

If your furniture needs to pass through a landing, measure the width (**E**), depth (**F**) and height (**G**) of the space. If your measurements are greater than the (**H**) x (**W**) x (**D**) of the furniture, there shouldn't be any issues.

If you will need to lift your furniture over a banister, check the distance between the banister and the ceiling at their narrowest point (**I**) is greater than the depth (**D**) of your sofa.

TOP TIP:

✓ Remember to leave space for the safety of any vases, ornaments, wall frames or lights when measuring up your rooms.



TOP TIP:

✓ Remember to take note of any low hanging ceiling lights that might get in the way.