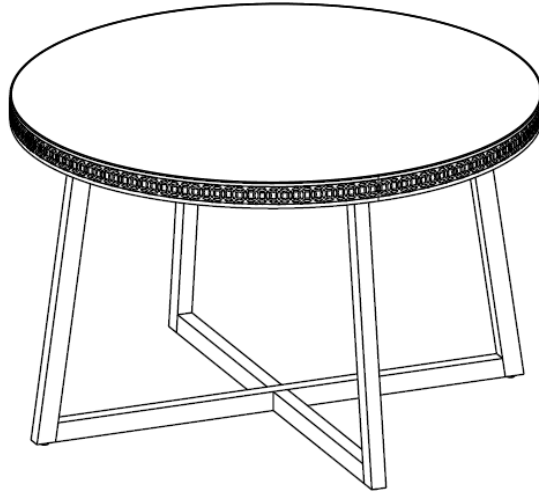


BOHO ROUND DINING TABLE

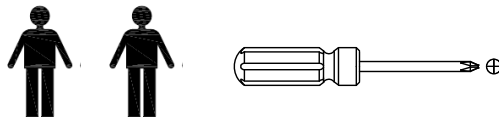
Thank you for purchasing this dining table. Please read the instructions carefully before use to ensure safe and satisfactory operation of this product



Pre-assembly preparation

Please ensure instructions are read in full before attempting to assemble this product

Necessary Tools



Please check the pack contents before attempting to assemble this product. A full checklist of components is given in this leaflet. If any components are missing, please contact the retailer from whom you bought this product.

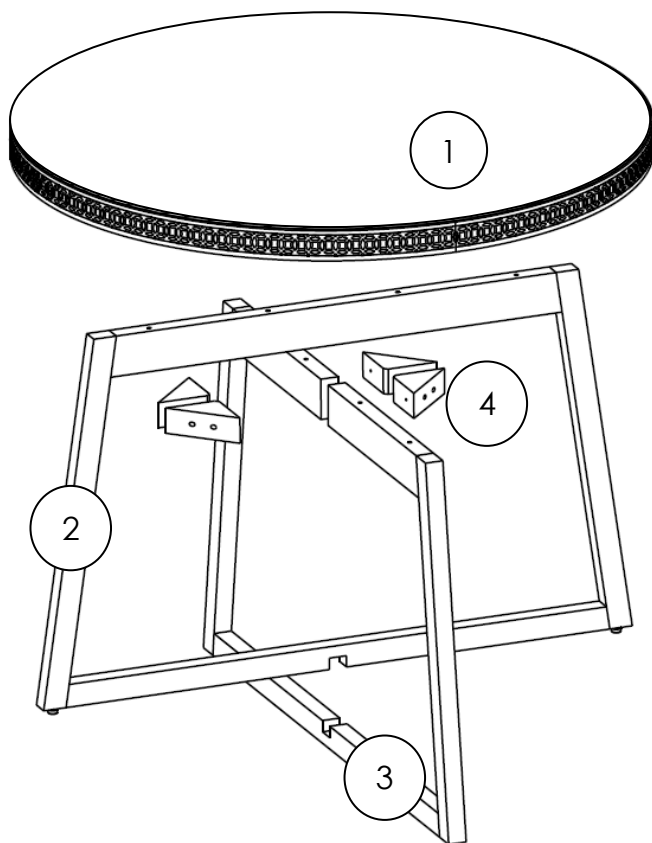
This product is **HEAVY**, it should be assembled as near as possible to the point of use. **TAKE CARE WHEN LIFTING** to avoid personal injury and (or) damage to the product. (Include if relevant)


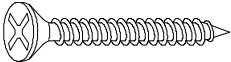
This product takes approximately **20 MINUTES** to assemble with **2 PEOPLE**.

The fittings pack contains **SMALL ITEMS** which should be **KEPT AWAY FROM YOUNG CHILDREN**.

Read this leaflet in full before commencing assembly.

Fittings and parts checklist

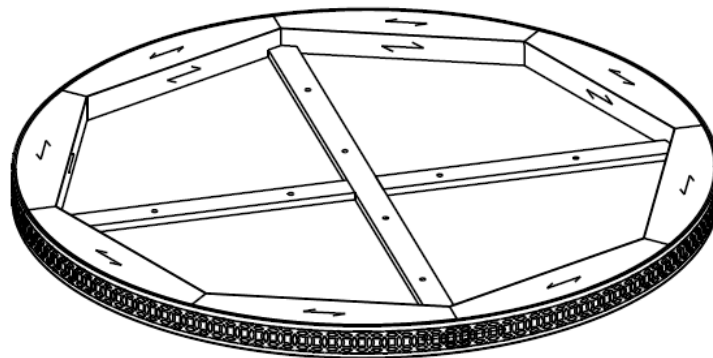


Item	Description	Qty	Item	Description	Qty	Item	Description	Qty
1	Table top	1	2	Side leg A	1	3	Side leg B	1
4	Corner support	4						
A	Bolt 	8	B	Allen key 	1	C	Screw 	9

Step by step assembly instructions

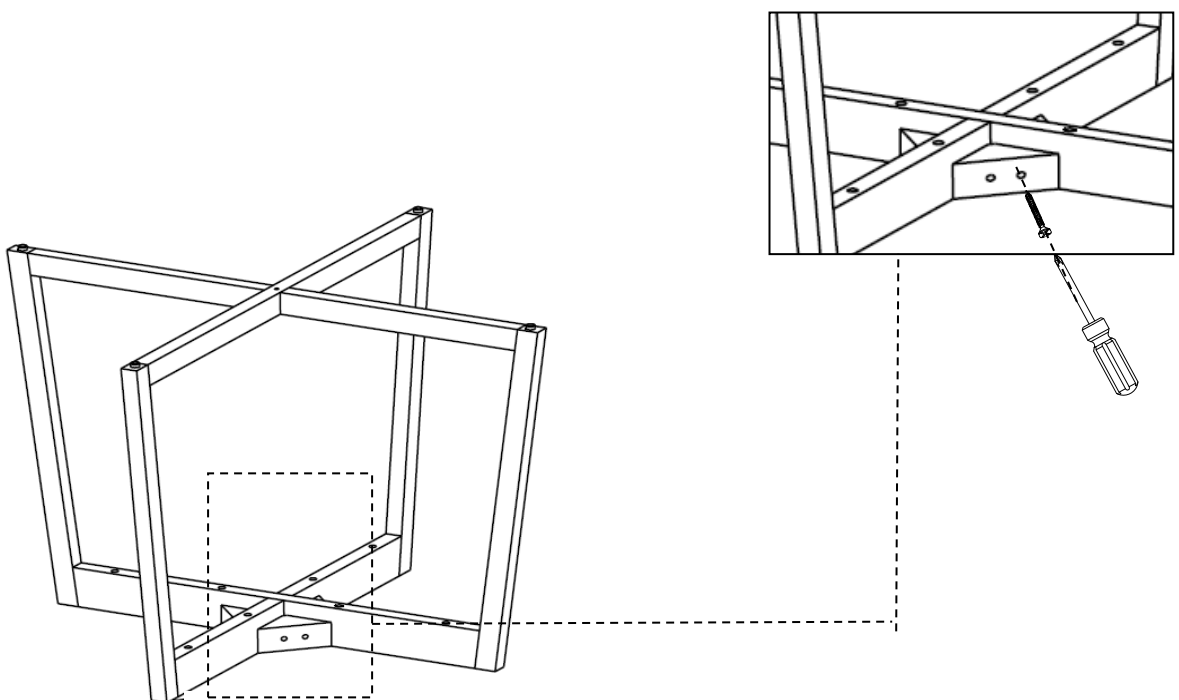
Step one

Place table top (1) down on a clean carpet or blanket to avoid damage to the surface



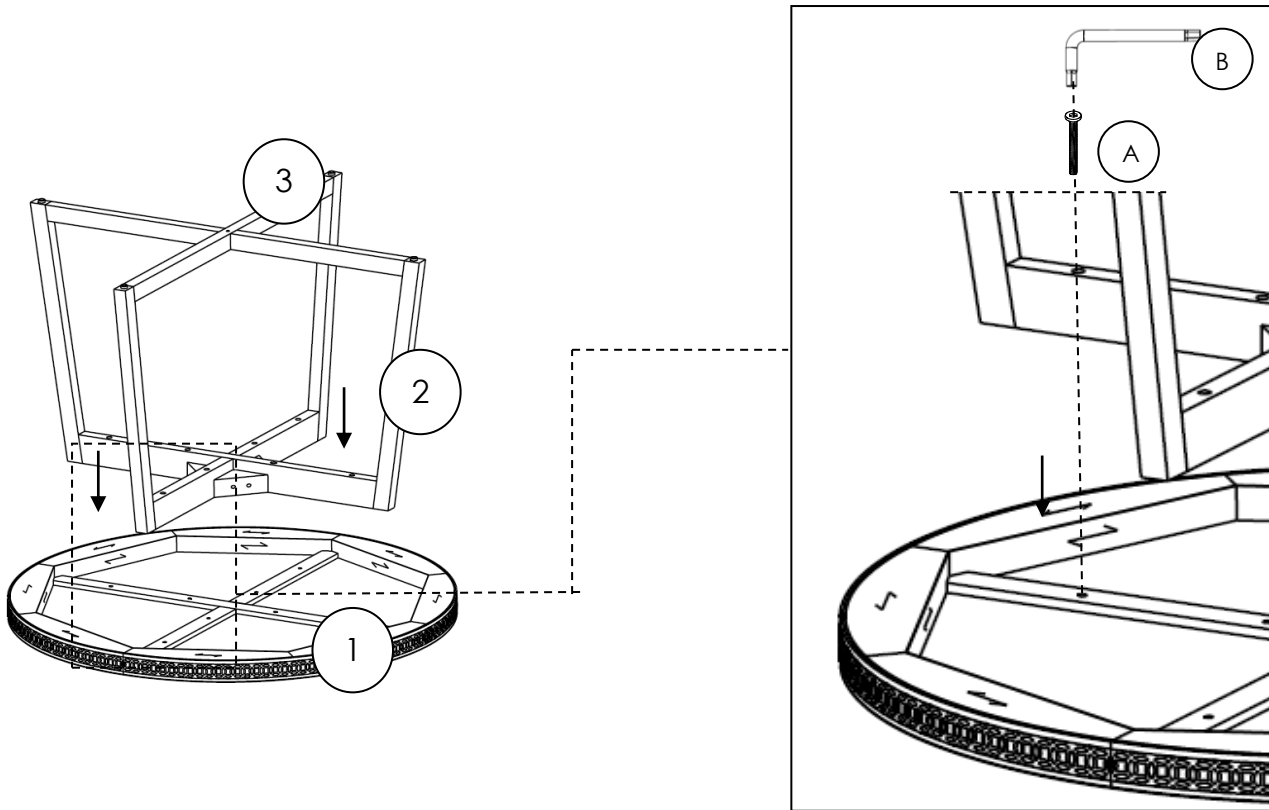
Step two

Attach all 4x corner supports (4) by inserting 8x screw (C) into the hole provided on side leg A (2) and side leg B (3), tighten using screwdriver.



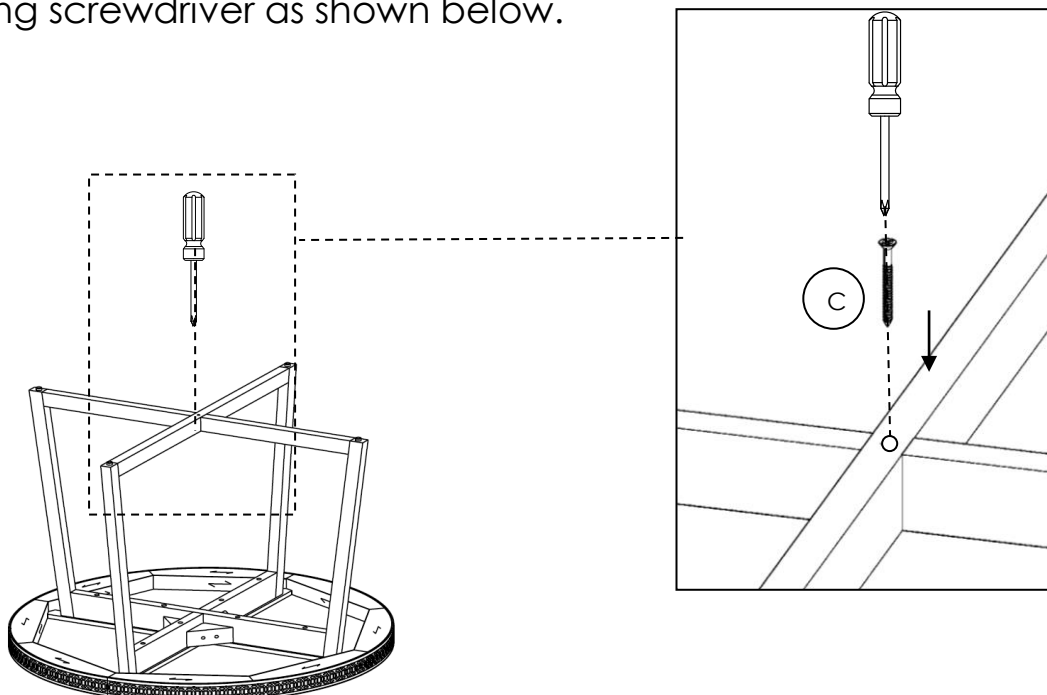
Step three

Attach the leg assembly by inserting all 8x bolt (A) into the hole provided onto the table top, tighten using Allen key (B)



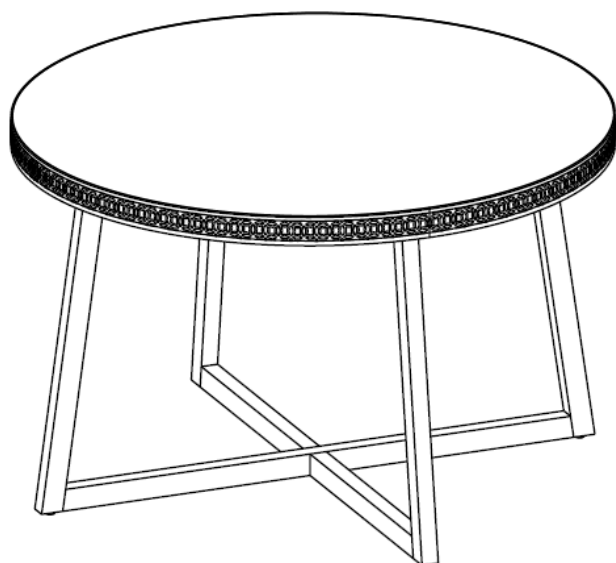
Step four

Attach 1x screw (C) at middle of leg assembly into the hole provided. Tighten using screwdriver as shown below.



Step five

Carefully lift furniture and turn upright onto legs



FINISH

Safety Instructions

Never drag furniture when moving it, always lift it.

Periodically check all fixings to ensure none have come loose and re-tighten where necessary.

Please take care when handling or moving the furniture as careless handling may cause damage or injury.

Furniture can be dangerous if incorrectly installed. Assembly should be carried out by a competent person. No liability will be accepted for damage or injury caused by incorrectly installed or assembled furniture.

It is recommended that before moving heavy objects to a new location they are completely dis-assembled to avoid personal injury or damage to the furniture. Please be careful to retain all fittings when doing this.

PLEASE KEEP THESE INSTRUCTIONS FOR FUTURE REFERENCE