

Duo Roller Blind Assembly & Fitting Guide

Important



Read these instructions carefully before installing this blind. Keep these instructions for future reference.

Blind head rails should not be installed less than 1.5m from the floor.

Small parts can present a choking hazard if accidentally swallowed. Keep small parts away from young children.

Once a blind has been cut, it cannot be returned - however this does not affect your statutory rights.

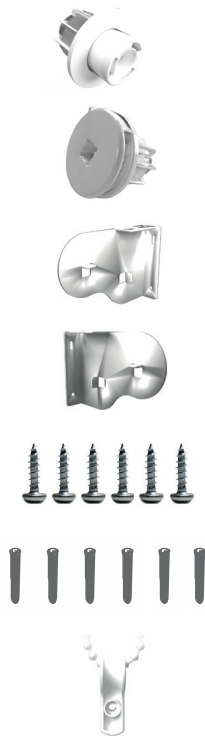
Ensure that all wall plugs and screws provided are suitable for your type of wall/window. If in doubt consult a professional.

If the blind has a symmetrical pattern, it is recommended that the fabric is cut on either side to achieve the required width and keep the pattern symmetrical.

Duo Roller Blind Assembly & Fitting Guide







Kit Content and Tools Required

KIT CONTENT



Description	Quantity
Pivot End Plug	2
Control Wheel	2
LH Duo Bracket	1
RH Duo Bracket	1
Screws	6
Wall Plugs	6
Child Safety Device (P Clip)	2

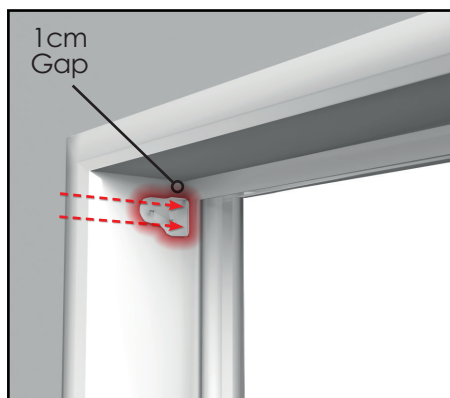
TOOLS REQUIRED

					
Pencil	Scissors	Ruler	Craft Knife	Hacksaw	Drill

Duo Roller Blind Assembly & Fitting Guide

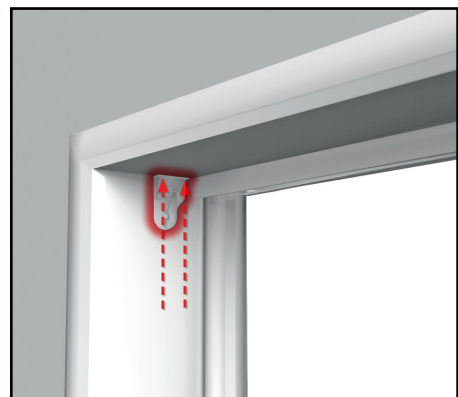
Fitting the Brackets Inside the Recess

Remember to allow room for the control mechanism and your brackets, when fitting inside the window recess to aid smooth operation. Further details can be found in the section titled Cutting Down the Blind.



FACE FIX

← - - - = Fixing Options



TOP FIX

← - - - = Fixing Options

This option is the best for improved blackout performance

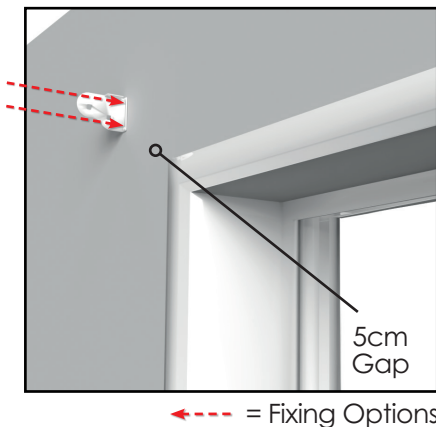
A. INSIDE THE RECESS

1. When face fixing your blind first position your LH Duo Bracket on the left hand side of the recess, leaving at least 1cm gap between the top of the recess as show in the Face Fix image above.
2. Mark the drill hole with a pencil
3. Drill holes
4. Fix wall plugs into the holes, add the bracket and screw into place
5. Repeat for RH Duo Bracket at the other side
6. Ensure brackets are level

Duo Roller Blind Assembly & Fitting Guide

Fitting the Brackets Outside the Recess

Remember to allow room for the control mechanism and your brackets, when fitting inside the window recess to aid smooth operation. Further details can be found in the section titled Cutting Down the Blind.

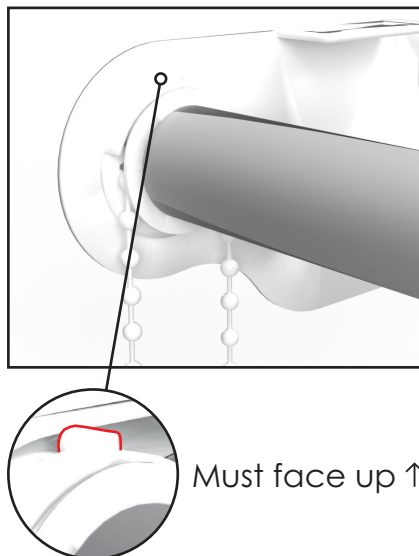


B. OUTSIDE THE RECESS

1. Position the LH Duo Bracket at least 5cm above the recess, and 5cm to the side to ensure the fabric overlaps the window recess.
2. Mark the drill hole with a pencil
3. Drill holes
4. Fix wall plugs into the holes, add the bracket and screw into place
5. Repeat for the RH Duo Bracket on the other side
6. Ensure brackets are level

FITTING THE BLIND TO THE BRACKETS

Now the brackets are in place, if the blind needs to be cut down, refer to page 5



1. Push the control mechanism in to the left or right side of the blind
2. The chain guard must be positioned at the top to ensure correct operation
3. Place the pivot end in the other end
4. Push the pivot end into the bracket, then push the control mechanism into the other bracket
5. Repeat process for the second blind

Duo Roller Blind Assembly & Fitting Guide

Cutting Down the Blind

Ensure hands and work surfaces are clean before unrolling the blind. Unroll the blind, taking care not to remove the blind from the inner tube.

Place the blind face down on a flat surface.

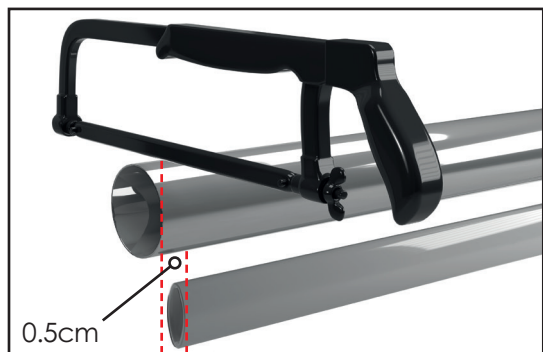
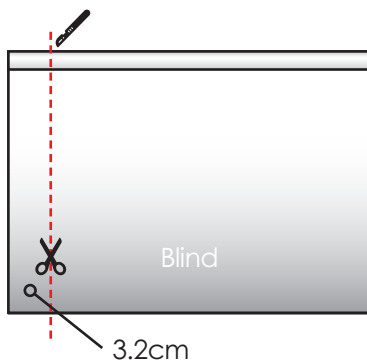
Measure the distance between the brackets at the widest point. Now minus 3.2cm (32mm) off this measurement as this will allow for the mechanism. If you are not sure please cut less off and adjust again if necessary. Now mark the cut line using the pencil and ruler. Ensure that the line is straight from the top to the bottom.

Take the scissors and cut along the line to the top of the blind. Use the craft knife to cut the fabric attached to the tube.

On the inner tube make a cut mark with the pencil 0.5cm (5mm) longer than the fabric. Take the hacksaw and cut the tube.

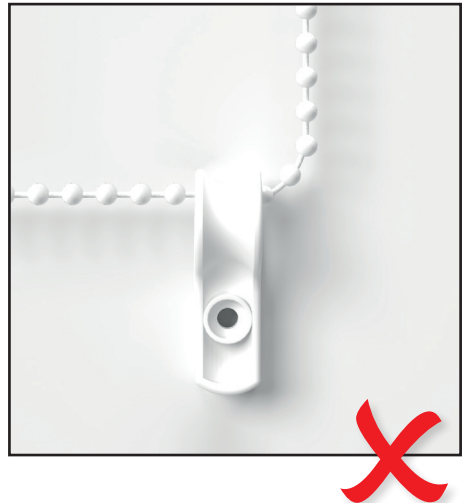
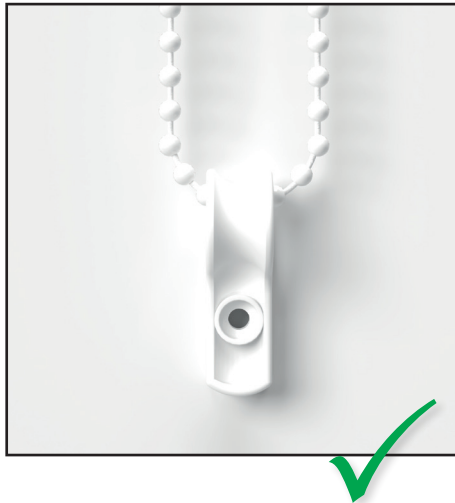
Now take the bottom bar and make a cut mark to the same width as the cutdown blind. You can now insert the bottom bar and roll up the blind, make sure to keep it evenly rolled at both sides. Repeat the process for the second blind.

To fit the blind refer back to page 4.



Duo Roller Blind Assembly & Fitting Guide

Installing the Child Safety Device



Children can strangle if this device is not installed. Read the instructions carefully and install accordingly. Always use this device to keep cords or chains out of reach of children.

The device must be installed at the maximum distance possible from the control mechanism to prevent the chain loop being slack.

Please ensure you install the safety device for both blinds.

Duo Roller Blind Assembly & Fitting Guide

Operating the Blind and Care Advice

OPERATING THE BLIND

12. The blind will now operate by pulling on the beaded cord to raise and lower it.

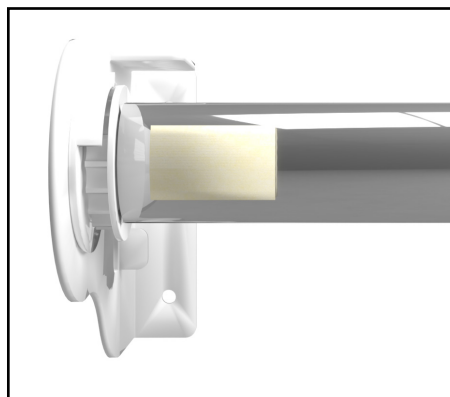
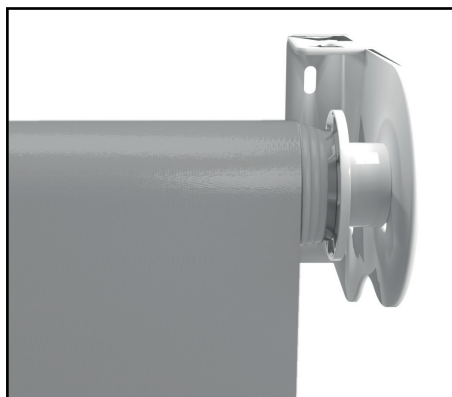
CARE ADVICE

Wipe clean only.

NOTE

Modification of the design or configuration of the blind or its integral or non-integral component parts shall not be made without consulting the manufacturer. Use of the additional safety device helps reduce the risk of strangulation but cannot be considered completely fool proof.

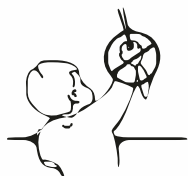
HOW TO CORRECT FABRIC RUN OFF



The illustration shows the fabric running off from the right hand side of the blind. To correct this, simply stick a small (30mm) strip of masking tape to the aluminium tube at the opposite end. Fully wind the blind up and then repeat until the fabric is no longer running off.

Duo Roller Blind Assembly & Fitting Guide

Warning



WARNING

Young children can be strangled by loops in pull cords, chains and inner cords that operate the product. To avoid strangulation and entanglement keep cords out of the reach of young children. Cords may become wrapped around a child's neck. Move beds, cots and furniture away from window covering cords. Do not tie cords together. Make sure cords do not twist and create a loop.