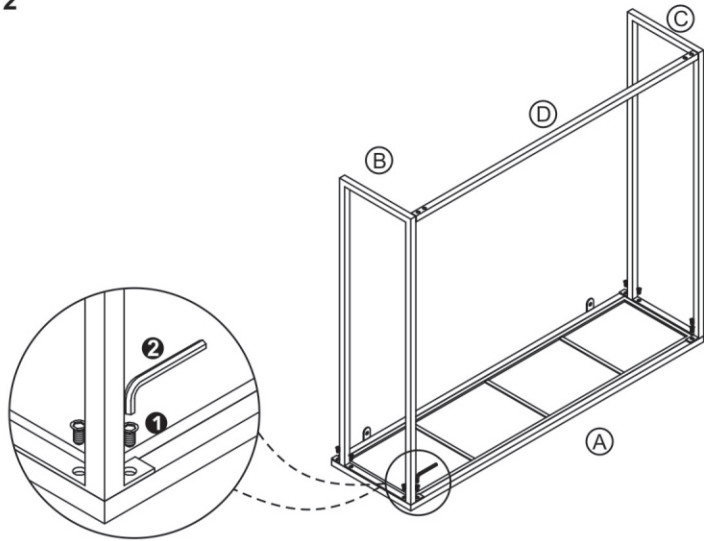
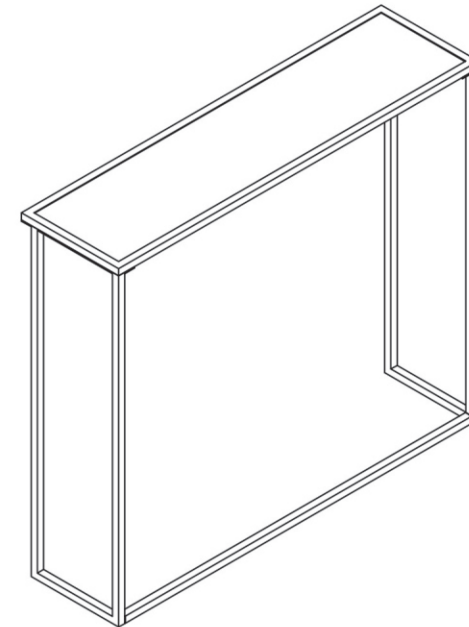


Step 2

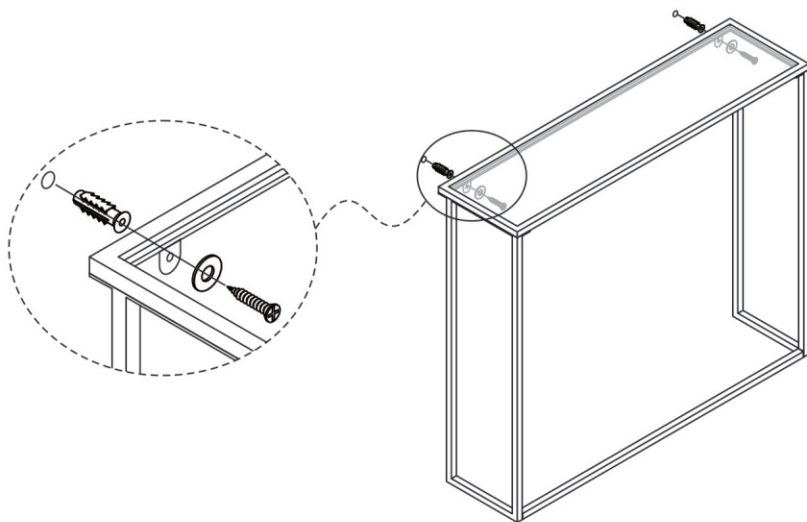


Sullivan Slim Console Table

INSTRUCTIONS



Step 2



Dear Customer

Check the pack and make sure you have all the parts listed below. If not, contact the helpline on **03451 656565** who will be able to help you

Safety advice

IMPORTANT - The first step you need to take is to ensure your safety! Please take the time to read and understand these instructions before assembling your furniture.

Please keep these instructions for future reference.

Keep children and animals away from the assembly area. This furniture contains small parts that could cause choking if swallowed.

Keep all plastic wrapping materials away from babies and children to avoid danger of suffocation.

Ensure that all packaging is disposed of carefully and responsibly.

From time to time check that there are no loose fittings on the unit, re-tighten when necessary.

Two people may be required for the assembly of this product.

Once items are part or fully assembled, they are not returnable unless faulty.

This item is not for outdoor use – unless stated otherwise.

Some items will be supplied with a wall fixing strap, which we recommend is used to secure the item to the wall, to prevent a child from accidentally pulling furniture over. Furniture can be dangerous if incorrectly installed. Assembly should be carried out by a competent person. No liability will be accepted for damage or injury caused by incorrectly installed or assembled furniture.

Regular glass care advice

Do not use glass as a chopping board .

Do not use very hot or very cold items on the glass unless adequate table mats are used to prevent such items coming into direct contact with the furniture.

Do not strike the glass with hard or pointed items.

Do not use abrasive cleaners on the glass as these may scratch and damage the glass.

To clean your item, Please use a soft cloth slightly dampened with water and wipe clean.





Then buff with a dry clean cloth. Use washing up liquid if necessary.



If the glass is chipped or broken , stop using the product and consult Dunelm.

Metal Care Advice

Don't use damp cloth or any liquid to wipe or rub the iron frame ,or the colour finishing will be erased.

Parts and fittings

Ref	Dimensions	Visual	Qty	Ref	Dimensions	Visual	Qty
A	92.5*25*1.6CM		1	B	78.4*25*6.6CM		1
C	78.4*25*6.6CM		1	D	89*1.6*1.6CM		1

Ref	Dimensions	Visual	Qty	Ref	Dimensions	Visual	Qty
1	6*10CM		12	2	M4		1

Step 1

