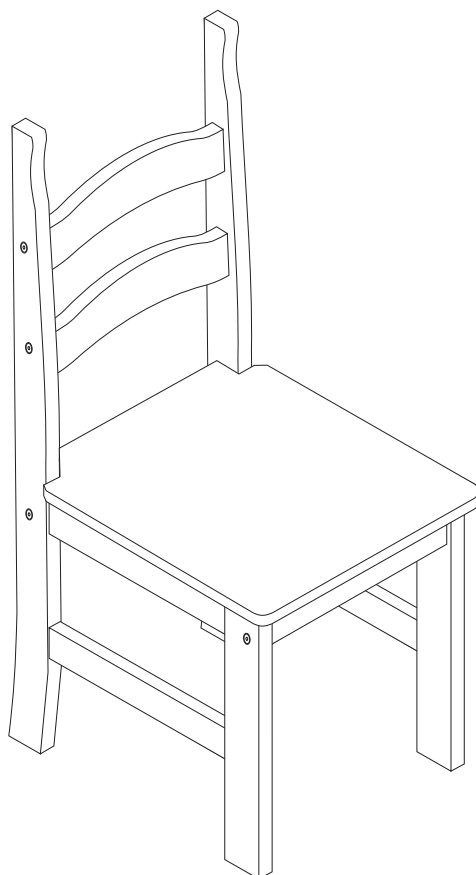


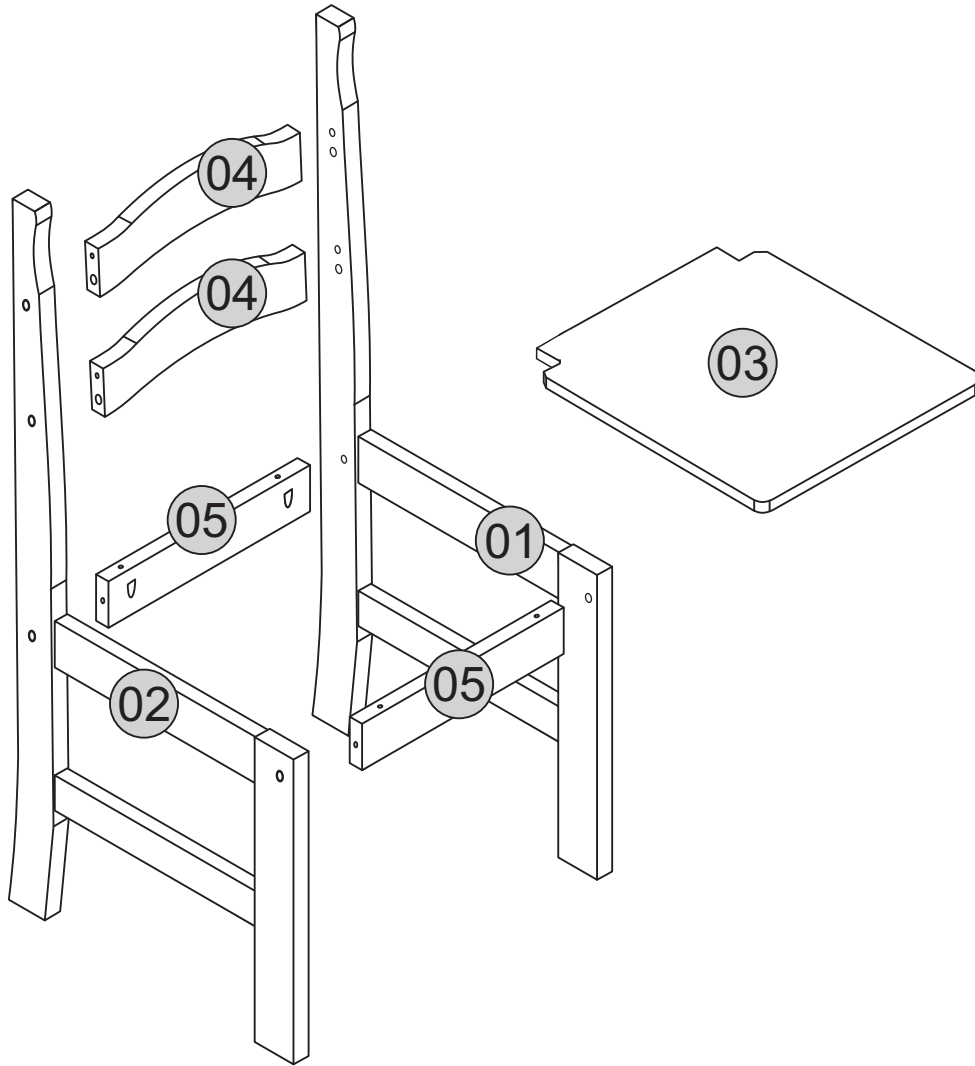
BUDGET MEXICAN DINING CHAIR ASSEMBLY INSTRUCTIONS



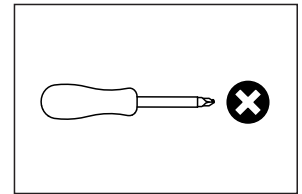
IMPORTANT FOR DOMESTIC USE ONLY PLEASE READ BEFORE YOU CONTINUE FURTHER CARE AND MAINTENANCE

After unpacking this product please keep the original packaging in case it needs to be returned for any reason.

- Please ensure all fittings and parts are present before commencing with assembly.
- We recommend that you lay a blanket or sheet on the floor to avoid damage to both your floor and the product.
- We strongly recommend that you keep children away from your work area.
- Assemble this product as close to its final position as possible.
- Never drag or push products as this could cause damage to the joints making it inferior.
- Do not place this product next to a radiator or in direct sunlight.
- Wood is a natural product and may expand if subjected to damp and may shrink or crack if subjected to heat. Therefore it is recommended that room temperature is maintained, with no sudden temperature fluctuations.
- Make sure any spillage is wiped off immediately.
- Do not place hot or chilled items directly on to the surface, use a place mat or marking will occur.
- For general cleaning use a duster, and do not use detergents of any kind. However, the surface will need to be retreated from time to time. This can be done by using block wax (unperfumed) and rubbing it over the whole item.
- From time to time it may be necessary to tighten fittings, regular inspections should be carried out.




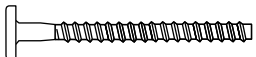

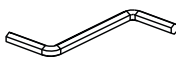

TOOLS REQUIRED



PARTS LIST (PER CHAIR)

Part Number	Part Code	Part Description	Quantity	Carton
01	S400-402-013-DS1-01	Right Chair Side	1	1/1
02	S400-402-013-DS1-02	Left Chair Side	1	1/1
03	S400-402-013-DS1-03	Seat Pad	1	1/1
04	S400-402-013-DS1-04	Back Rail	2	1/1
05	S400-402-013-DS1-05	Seat Rail	2	1/1

HARDWARE LIST

A	 GLUE	02	D	 Ø7,0x60mm	08
B	 8,0 x 30mm	04	E		01
C	 Ø4,0 x 35CP	04			

STEP 1

PARTS REQUIRED

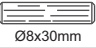
2 - LEFT CHAIR SIDE x1

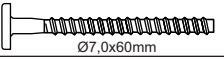
4 - BACK RAIL x2

5 - SEAT RAIL x2

HARDWARE REQUIRED

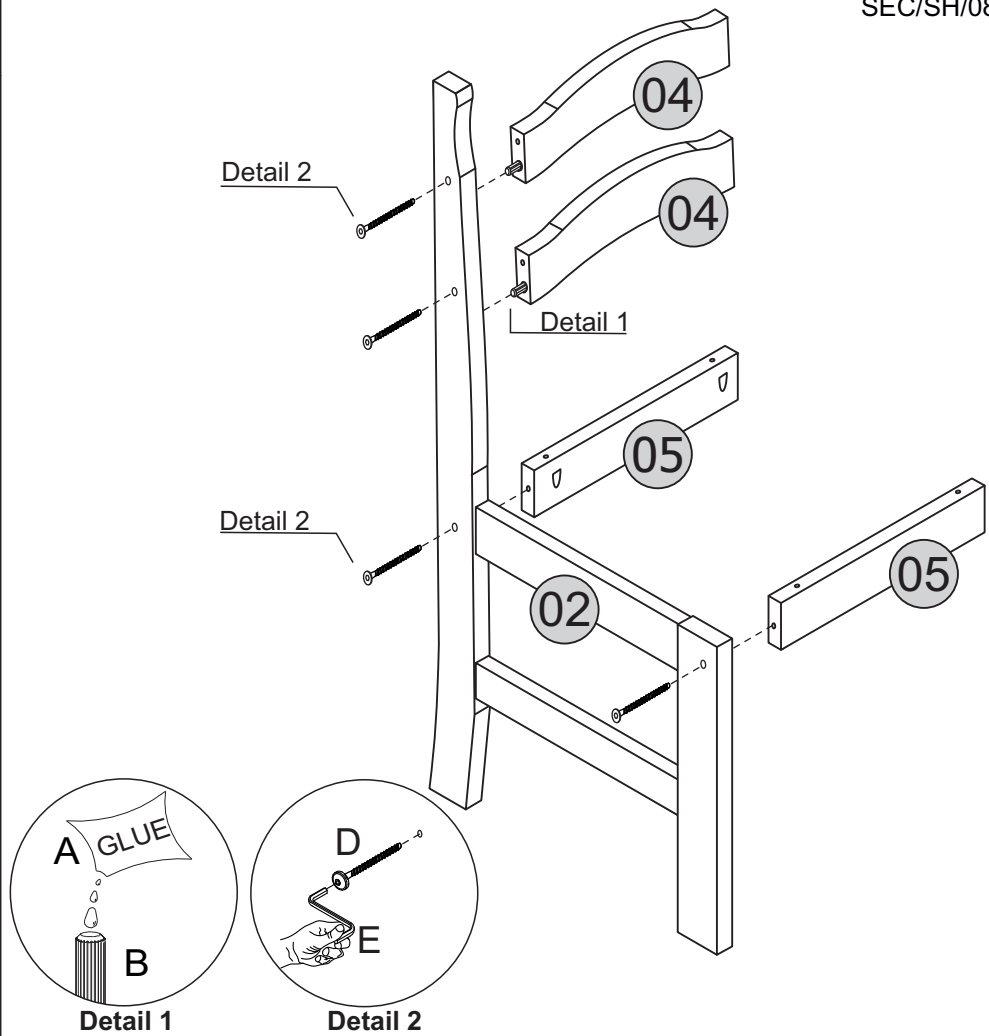
A  01

B  02
Ø8x30mm

D  04
Ø7,0x60mm

TOOLS REQUIRED

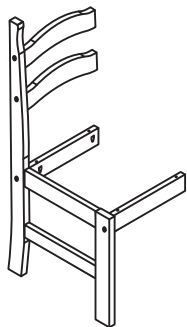
E  01



STEP 2

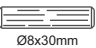
PARTS REQUIRED

1 - RIGHT CHAIR SIDE x1

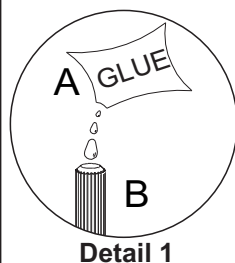
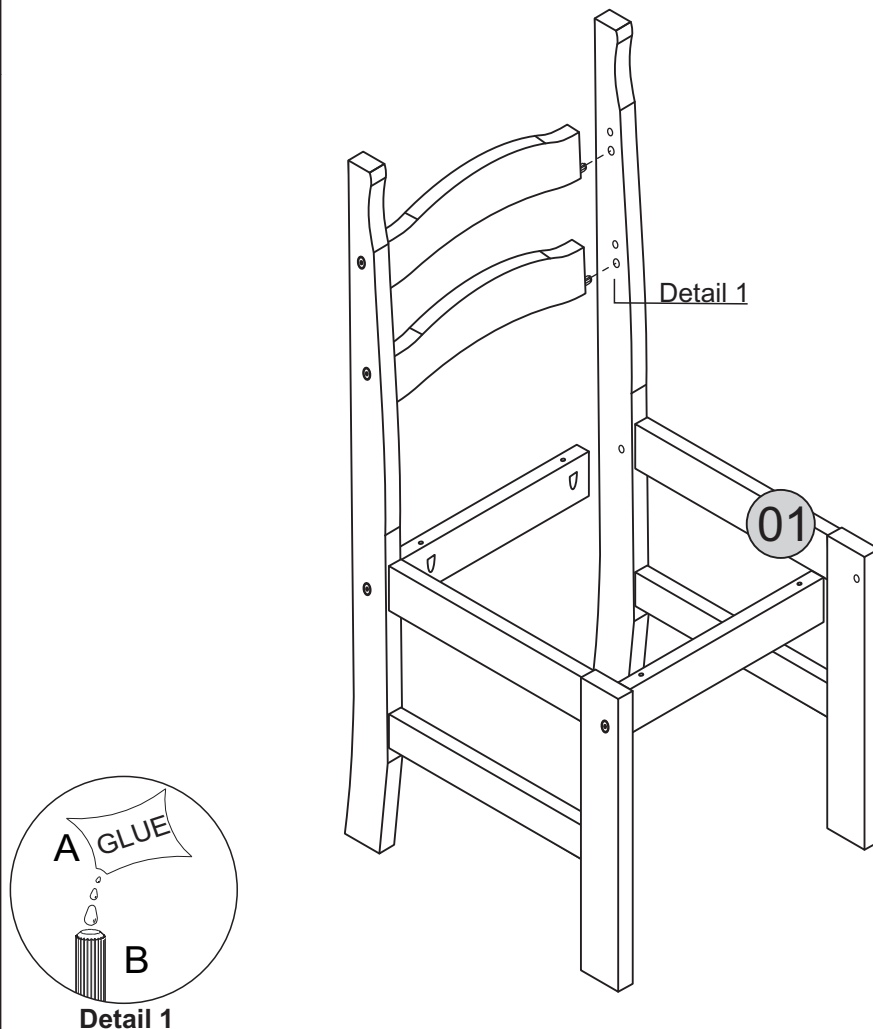


HARDWARE REQUIRED

A  01

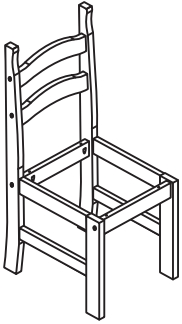
B  02
Ø8x30mm

TOOLS REQUIRED

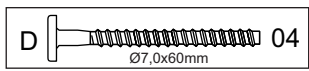


STEP 3

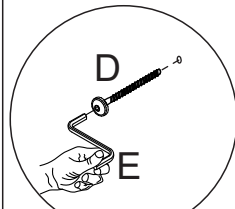
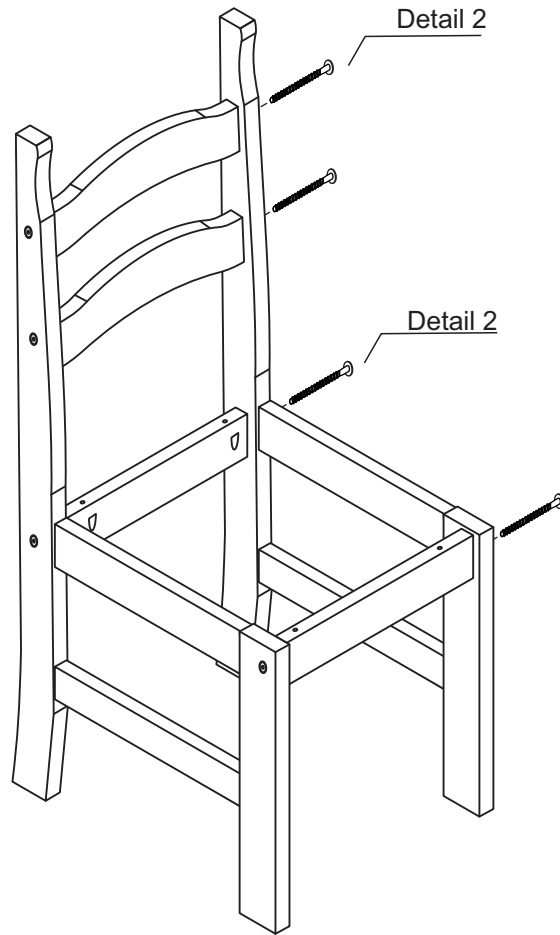
PARTS REQUIRED



HARDWARE REQUIRED



TOOLS REQUIRED

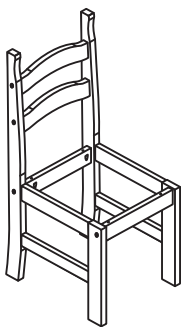


Detail 2

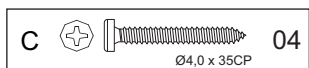
STEP 4

PARTS REQUIRED

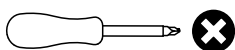
3 - SEAT PAD x1



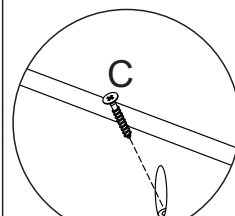
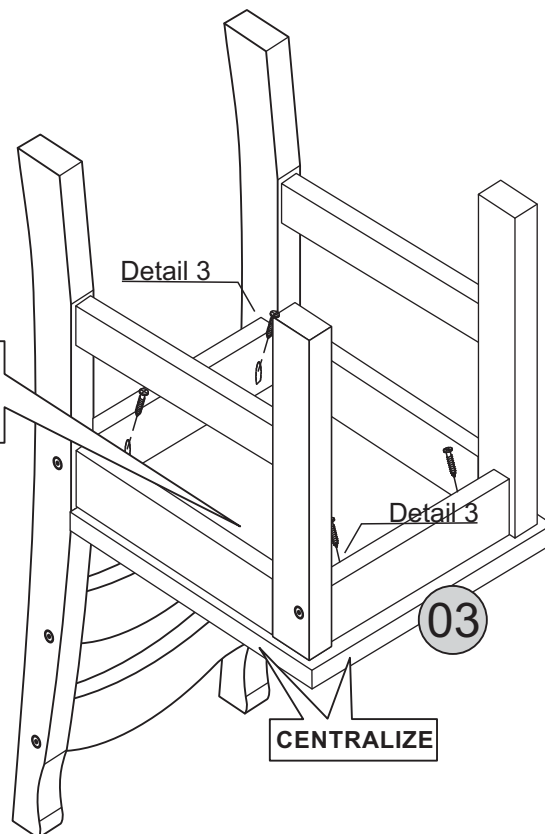
HARDWARE REQUIRED



TOOLS REQUIRED



FOR YOUR FUTURE REFERENCE ORDER NUMBER SHOULD BE HERE



Detail 3

