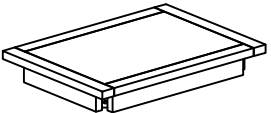
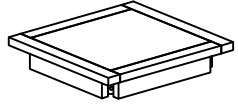
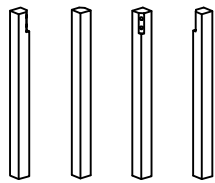
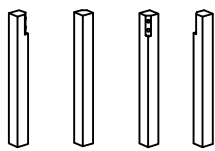
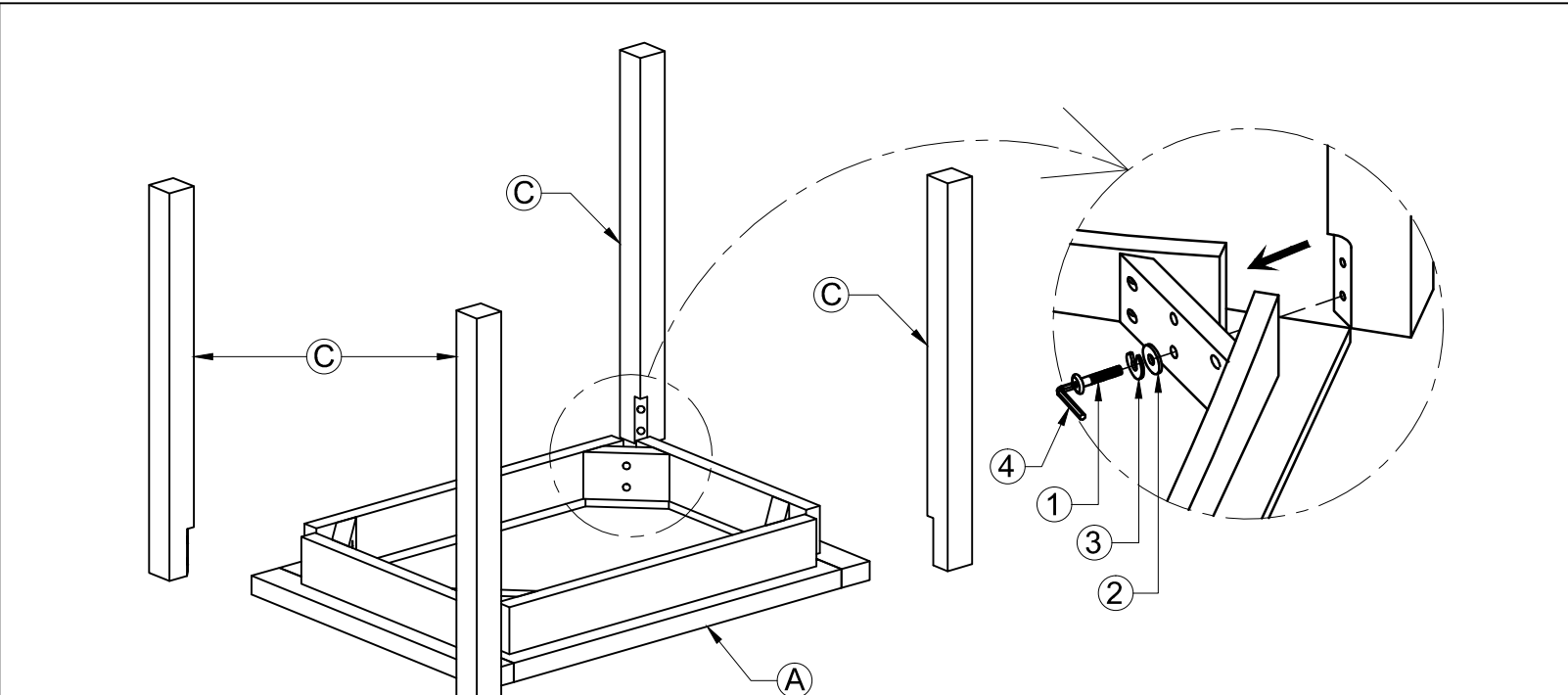
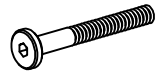


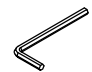


ASSEMBLY INSTRUCTION

G4869 - NEST SET OF 2

No	Name of Component	Q.ty
(A)		1
(B)		1
(C)		4
(D)		4



No	Name of Hardware	Q.ty
(1)	Bolt M6 x 50 	16
(2)	Washer Ø7/Ø15 x 1 	16
(3)	Spring washer M6 	16
(4)	Allen key (K4) 	1

