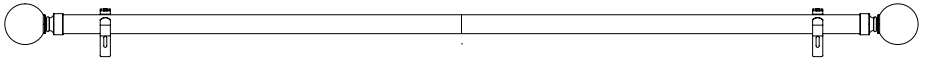


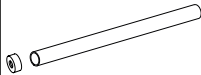
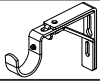

Extendable Metal Pole

INSTRUCTIONS



www.dunelm.com

Component parts supplied

Ref	Visual	Qty
1		2
2		2*
3		2

Mix and match pole kit includes plastic cap on 25mm pole. Please fit finial collar onto this

*Quantities will vary dependant on pole size

*Bracket design may vary

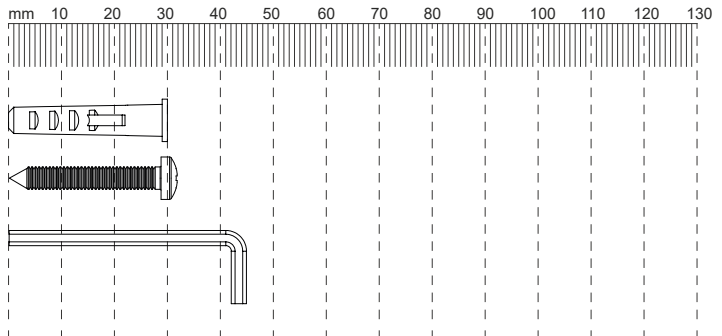
Finial design may vary/Finials not included in Mix & Match pole kit

Should any component be missing, please call the Customer Care Department on **01543 272605**

Parts and fittings

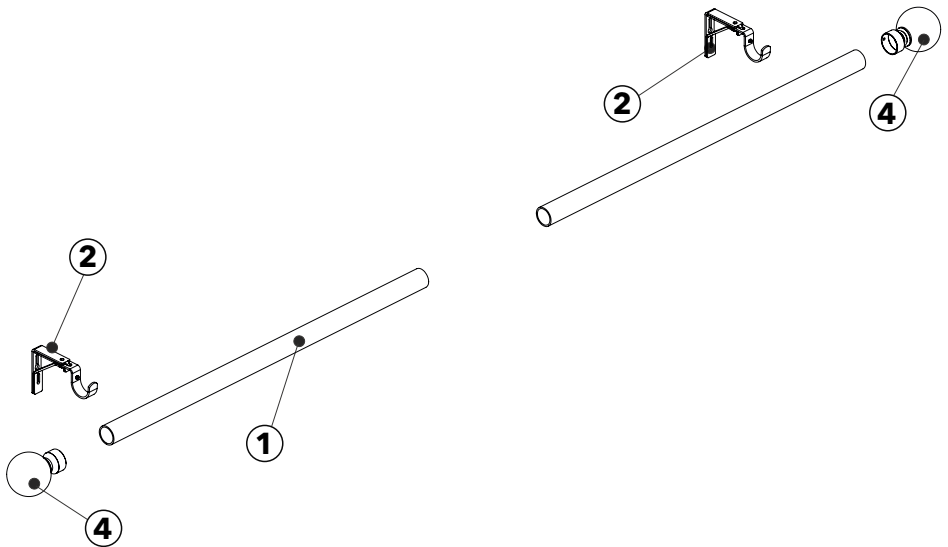
Fixtures and fittings supplied(actual size)

Re	Dimensions	Qty
A	6X30mm	-
B	4X32mm	-
C	16X45mm	-



Quantities will vary dependant on pole size

Exploded view



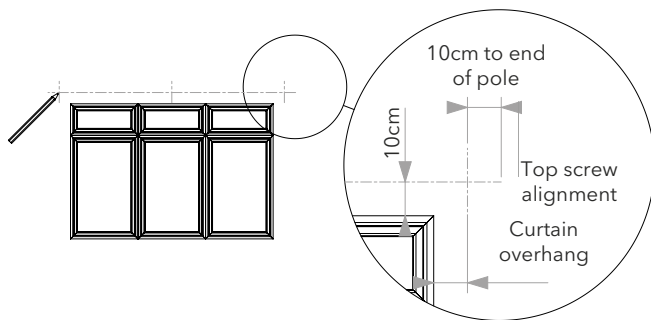
Safety Recommendation

Always use a step ladder when working at height.
DO NOT over reach. Always move the step ladder so that you are in a safe working position.
DO NOT hold or lean on the pole to support your weight.
We recommend you use two people for the installation of larger poles.
Take care when using power tools, use of a Residual Current Device (RCD) is recommended.
Always use eye protection when drilling.
Beware of hidden pipe runs and cables.
No liability will be accepted for damage or injury caused by incorrectly installed or assembled product.

PLEASE KEEP OUT OF THE REACH OF YOUNG CHILDREN.
SMALL PARTS - CHOKING HAZARD.
PLEASE KEEP THESE INSTRUCTIONS AND THE BATCH CODE ON THE PACKAGING
FOR FUTURE REFERENCE IN CASE OF ANY QUERIES.

Step 1 - Positioning the brackets:

Mark the line representing the top screw of the bracket, around 10cm from the top of the window. Mark the position of the end brackets 10cm from the edge of the window. If fitting a pole length over 120cm, a centre bracket is required and needs to be positioned at the centre of your installation. The installation should be centred with the window if possible.

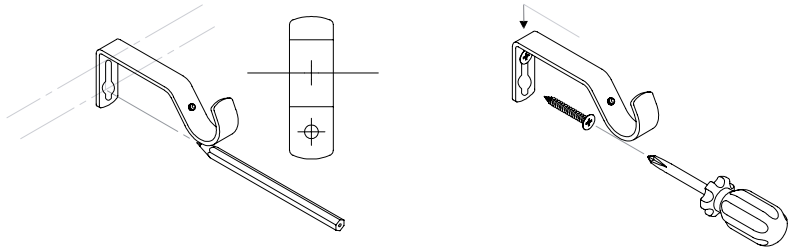


Step 2 - Fixing the brackets:

Note: Use the correct wall plugs and screws for the type of wall to which you are mounting your pole. If you are unsure, please consult your local builders merchant or DIY store.

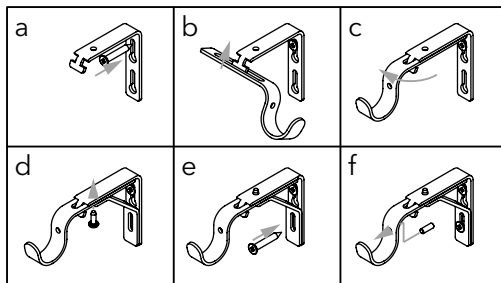
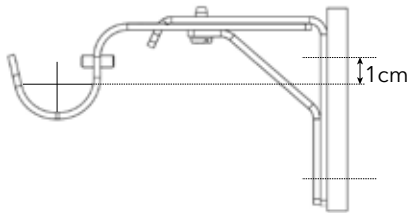
1 part bracket

Align the top hole position to the mark on the wall and use the bracket to mark the second hole. Drill the holes, fit a plug if required and fix the top screw of the brackets. Do not fully tighten the screws yet. Install the brackets by passing the head of the screw through the hole of the top channel, and fix the second screw. Both screws can now be fully tightened.



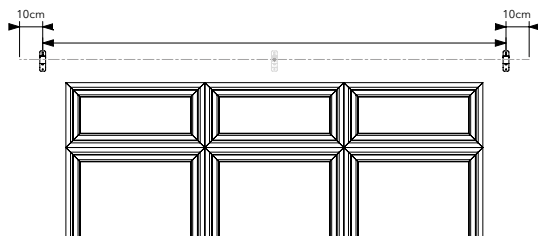
3 part bracket

Align the top hole position to the mark on the wall and use the bracket to mark the second hole. Drill holes and fit the correct wall plugs for the type of wall being drilled. Fix the brackets to the wall, referring to steps A-F shown below for the correct assembly order.



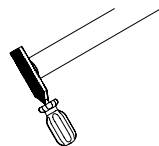
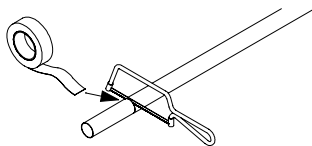
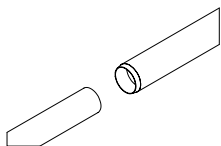
Step 3 - Preparing the pole:

Simply extend the telescopic poles. You must always leave 10cm either side of the end brackets to allow for the last ring and finial to be placed.

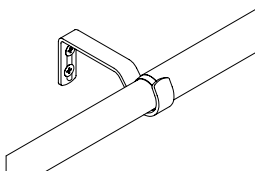


Note: For 120-210cm and 210-360cm model, you may wish to enhance the look and performance of your curtain pole by centralising the joining piece and hiding it behind the centre bracket. To do this follow the steps below.

Carefully remove the inner pole from the outer pole, taking care not to damage the central joiner piece. Remove the finial from the outer pole. Measure from the middle of the centre bracket to the end bracket, add 10cm and mark the cut line on the outer pole. Cut with a sharp hacksaw. Use masking tape if possible to avoid damaging the pole. Remove burrs and sharp edges with a file and ensure that the cut end goes into the finial.

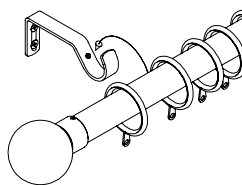
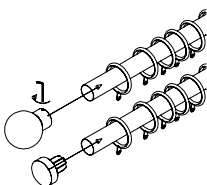
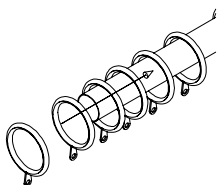


Refit the inner pole inside the uncut end of the outer pole through the joining piece, taking care not to damage the joining piece. Ensure the join is now located in the centre. Once fitted, if the inner pole is too long, cut off the excess to suit.



Step 4 - Installing the pole with rings:

Slide the rings onto the pole, approximately 1 ring per 10cm of pole. If using a finial with collar, slide the finial onto the pole and tighten the grub screw. Note: If a plastic spacer is supplied with the finial or pole, it has to be inserted inside the collar of the finial before fitting it to the inner pole. If using a finial with a plastic bung, insert the bung inside the pole and push the finial in. Ensure that the screws/grub screws on the brackets are loose and place the pole(s) in the brackets. One ring should be left in between the bracket and the finial on each end. If using a centre bracket, the rings should be equally distributed on both sides of the pole.



Tighten the screws/grub screws on the brackets once you are happy with the installation. Equally space the curtain hooks along the curtain header. You will require one hook for every ring. Place the hooks through the eyelet on the rings. Test the installation by drawing the curtains across.

