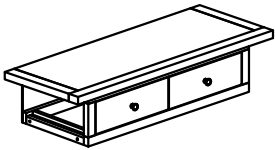

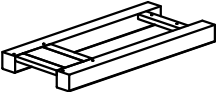




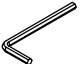


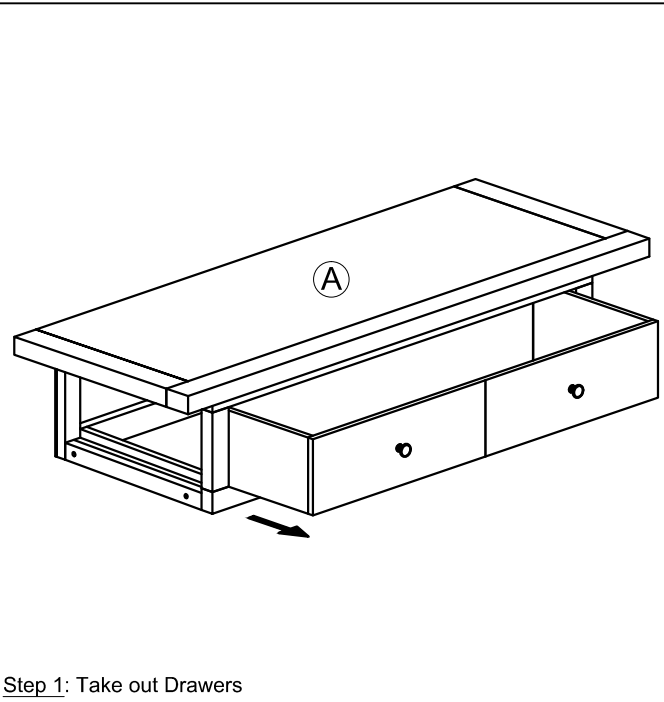


# ASSEMBLY INSTRUCTION

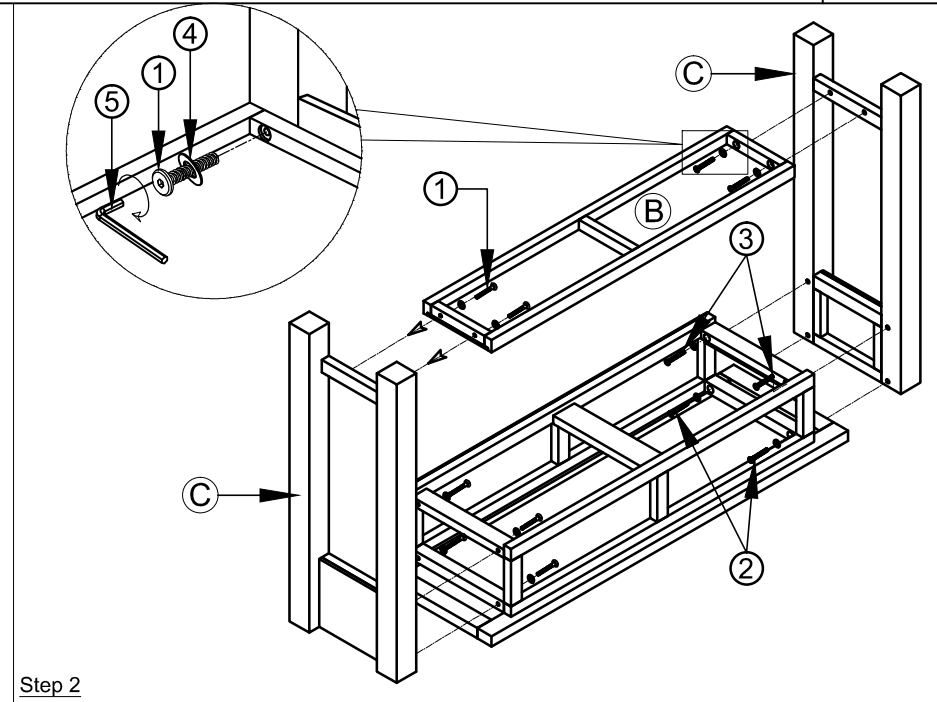
## G4003 - CONSOLE TABLE

No	Name of Component	Q.ty
(A)		1
(B)		1
(C)		2

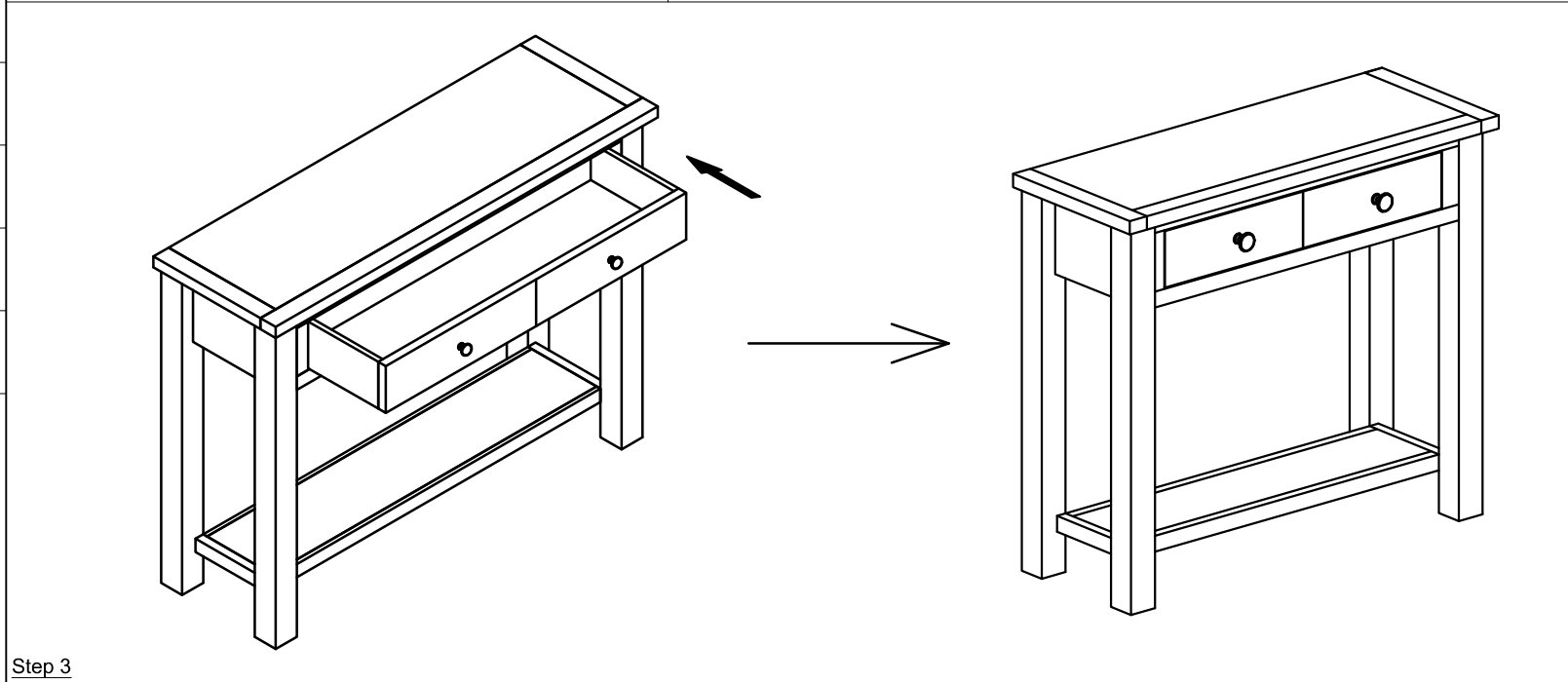
No	Name of Hardware	Q.ty
(1)	Bolt M6 x 30 	4
(2)	Bolt M6 x 35 	4
(3)	Bolt M6 x 60 	4
(4)	Washer Ø7/Ø15 x 1 	12
(5)	Allen key (K4) 	1
(6)	Bracket 	2
(7)	Tie 	2



Step 1: Take out Drawers



Step 2



Step 3

ASSEMBLY INSTRUCTION  
G4003 - CONSOLE TABLE

