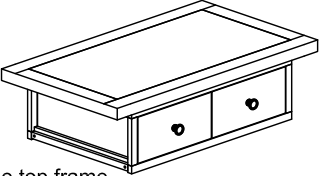
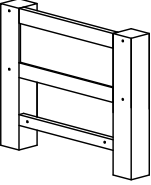

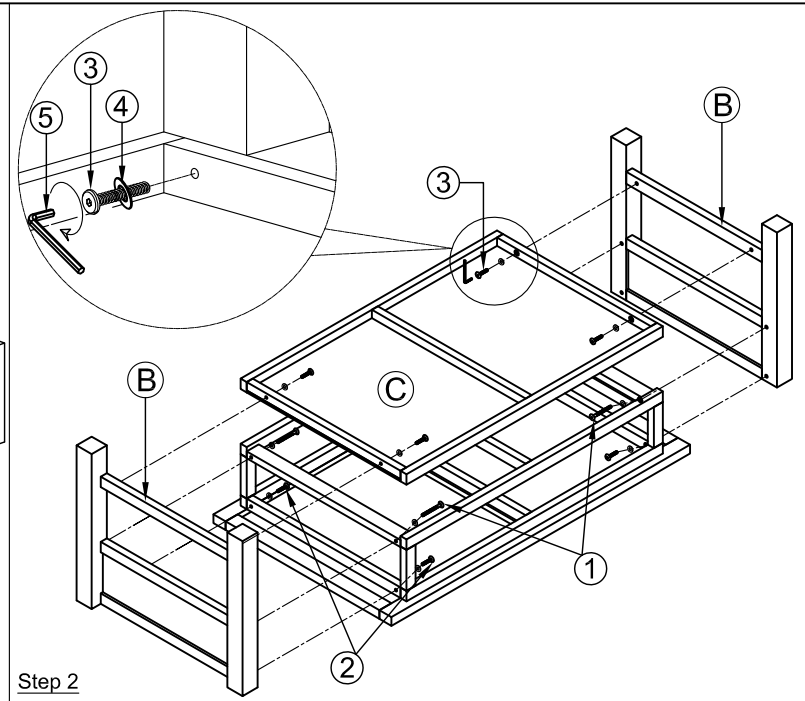
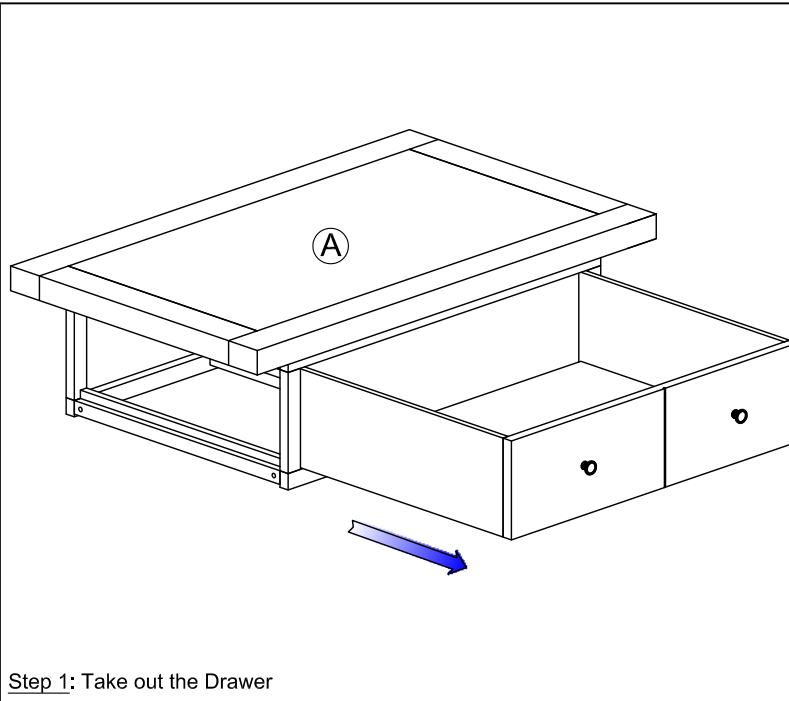




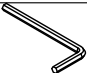


# ASSEMBLY INSTRUCTION COFFEE TABLE

No	Name of Component	Q.ty
(A)	 Table top frame	1
(B)	 Leg frame	2
(C)	 Shelf	1



No	Name of Hardware	Q.ty
(1)	Bolt M6 x 60 	4
(2)	Bolt M6 x 35 	4
(3)	Bolt M6 x 30 	4
(4)	Washer Ø7/Ø15 x 1 	12
(5)	Allen key (K4) 	1

