









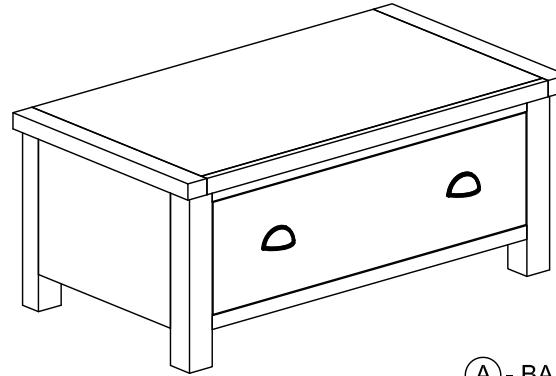
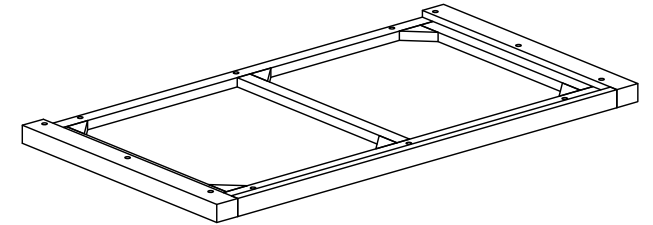


## ASSEMBLY INSTRUCTION GENTS WARDROBE

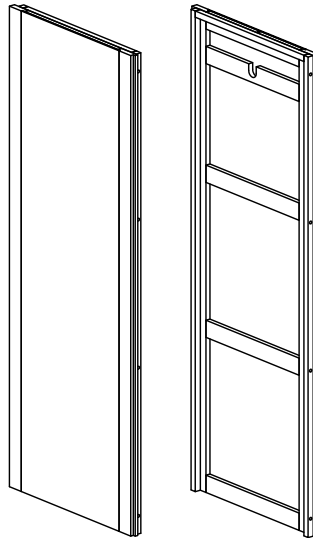
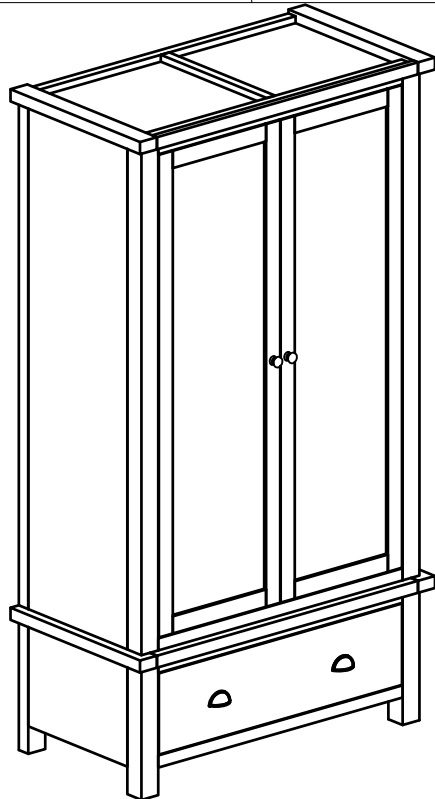
No	LIST OF HARDWARE	FIG	Q' Ty
①	Bolt M6x35		8
②	Screw Ø4x35		22
③	Screw Ø4x20		4
④	Screw Ø4x45		3
⑤	Wooden Dowel Ø8x30		1
⑥	Handle with Bolt		2 Sets
⑦	Washer		8
⑧	Allen key		1
⑨	Bracket		2
⑩	Tie		2



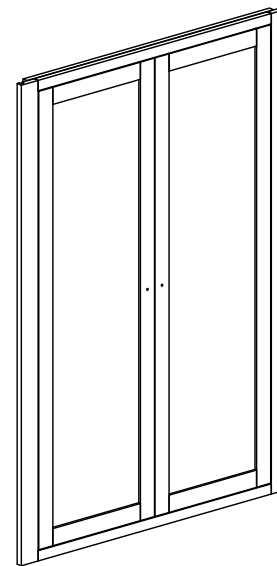
Ⓐ - BASE 1x



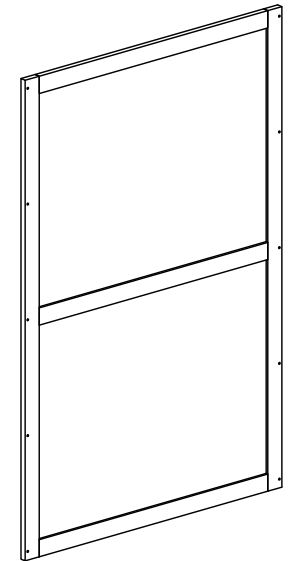
Ⓑ - TOP FRAME 1X



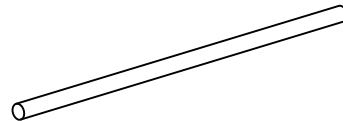
Ⓒ - RIGHT FRAME 1X  
LEFT FRAME 1X



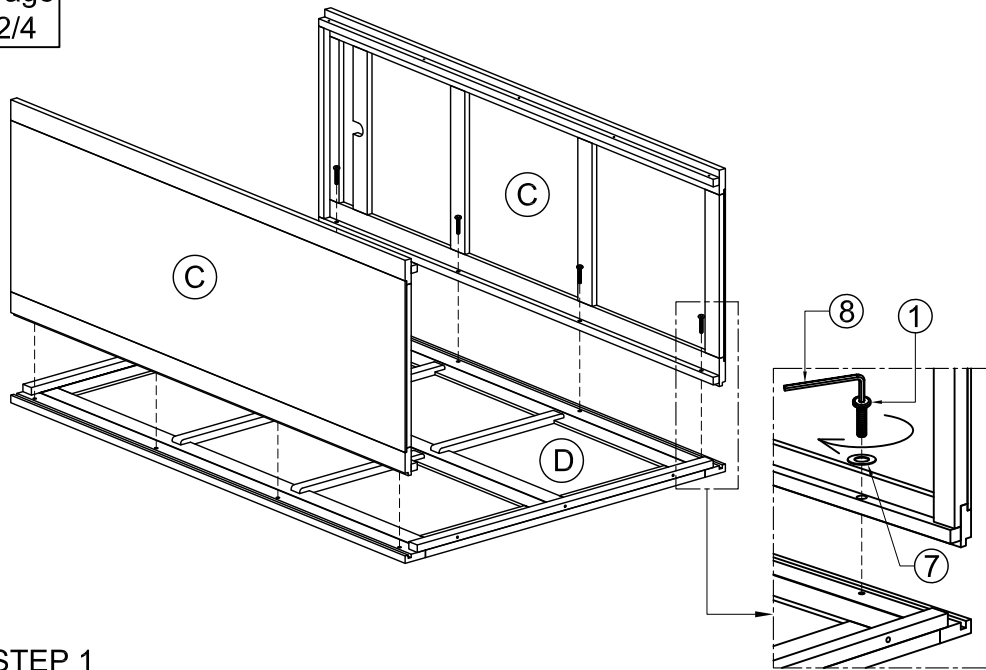
Ⓓ - FRONT FRAME WITH DOOR 1X



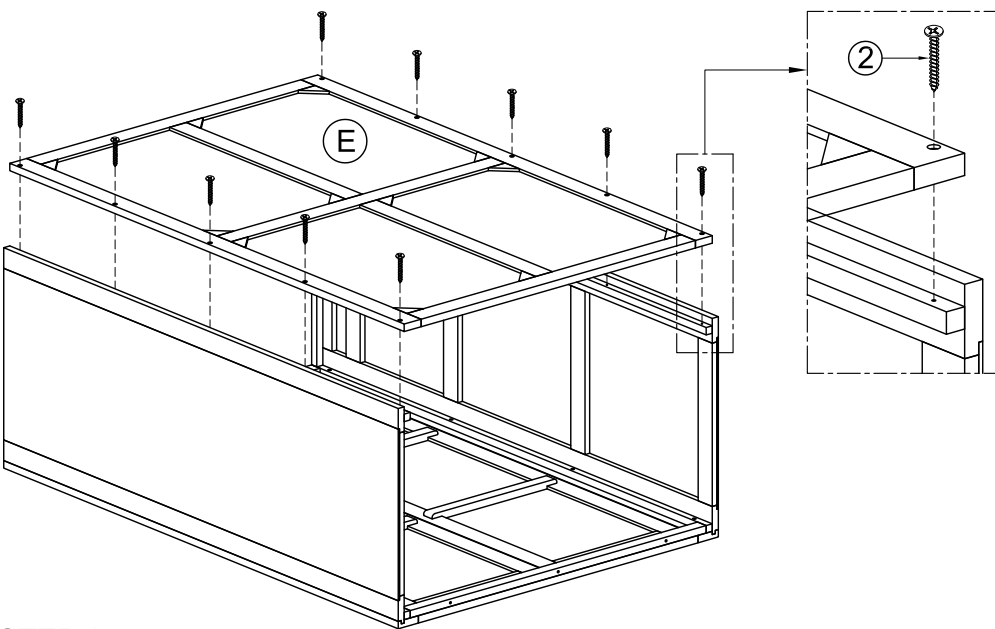
Ⓔ - BACK FRAME 1X



Ⓕ - HANGING RAIL 1X

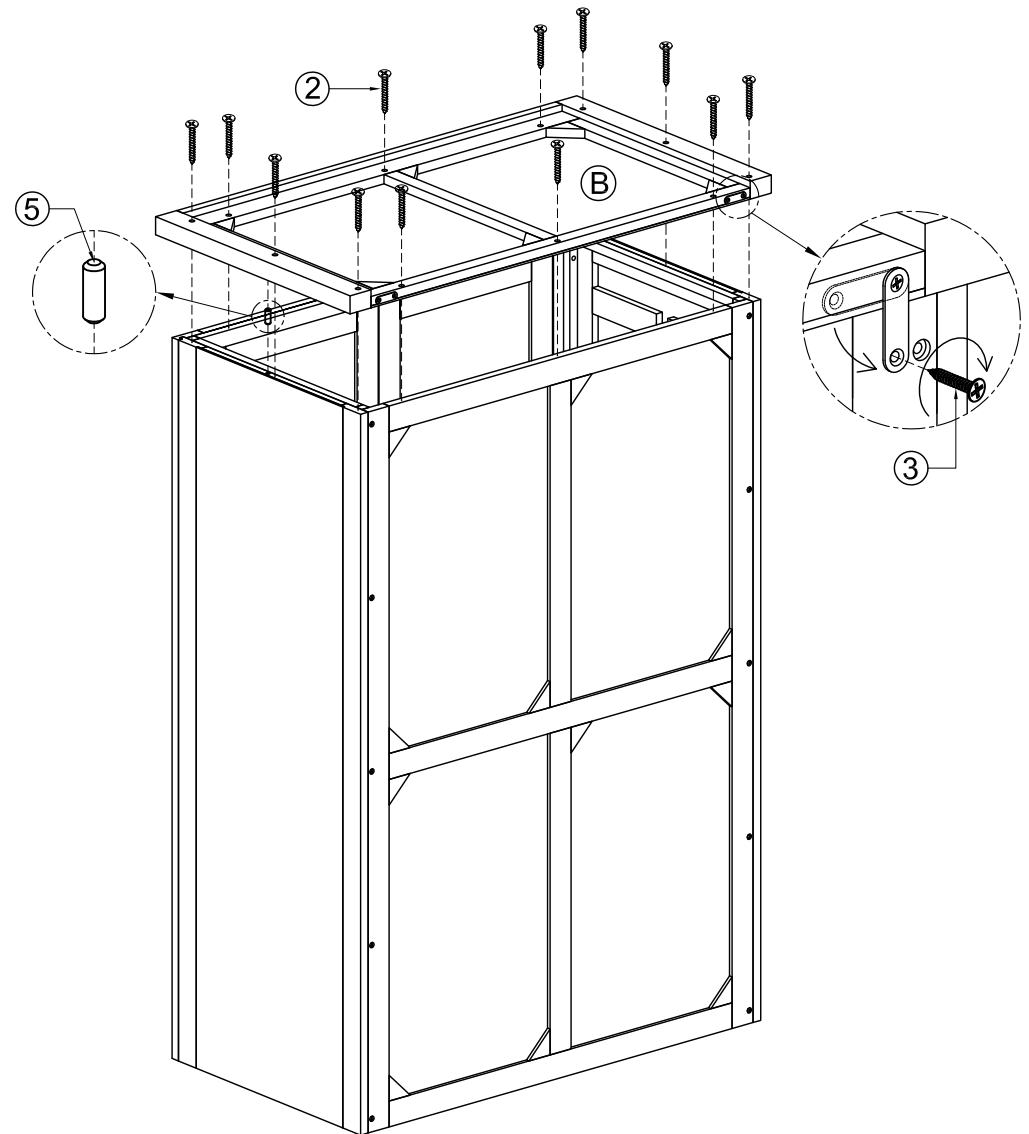


STEP 1

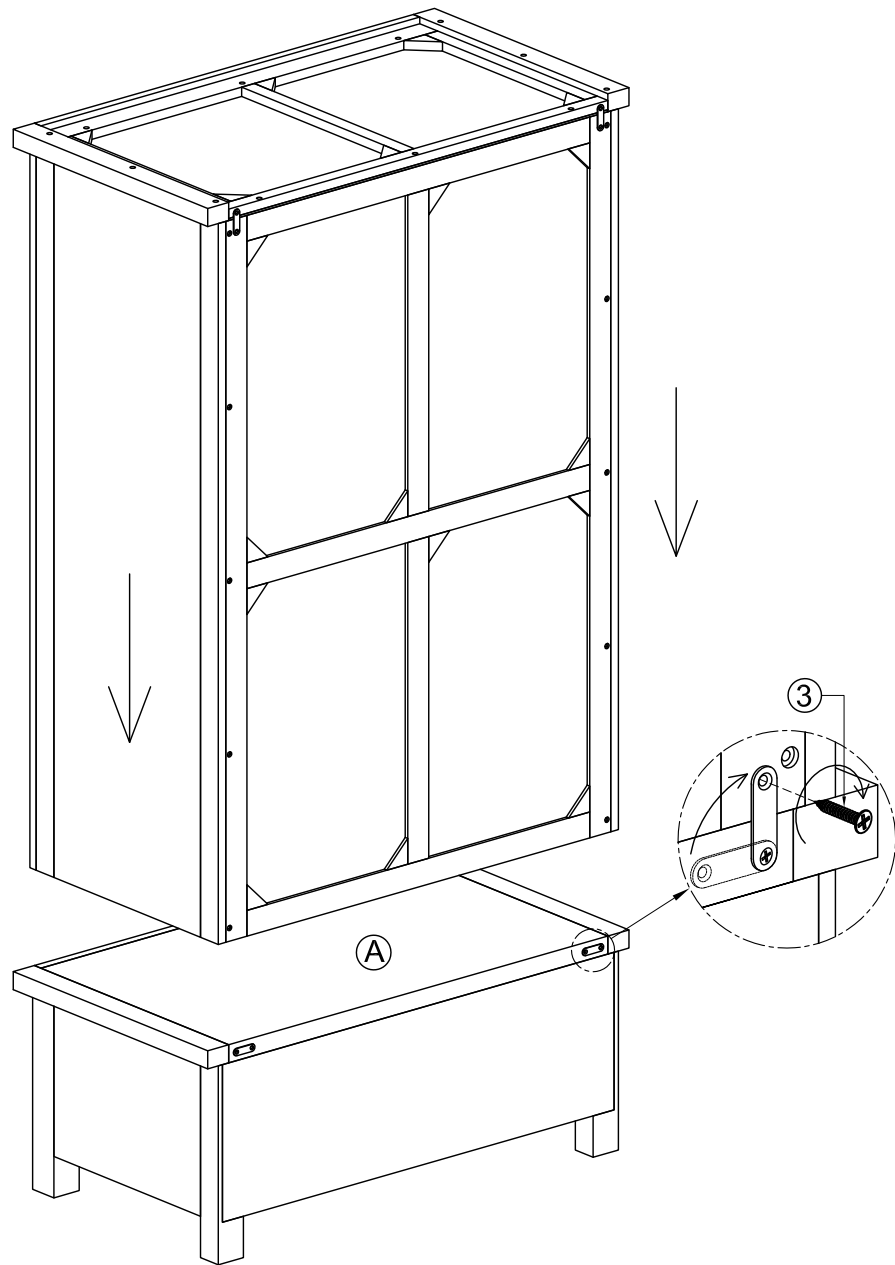


STEP 2

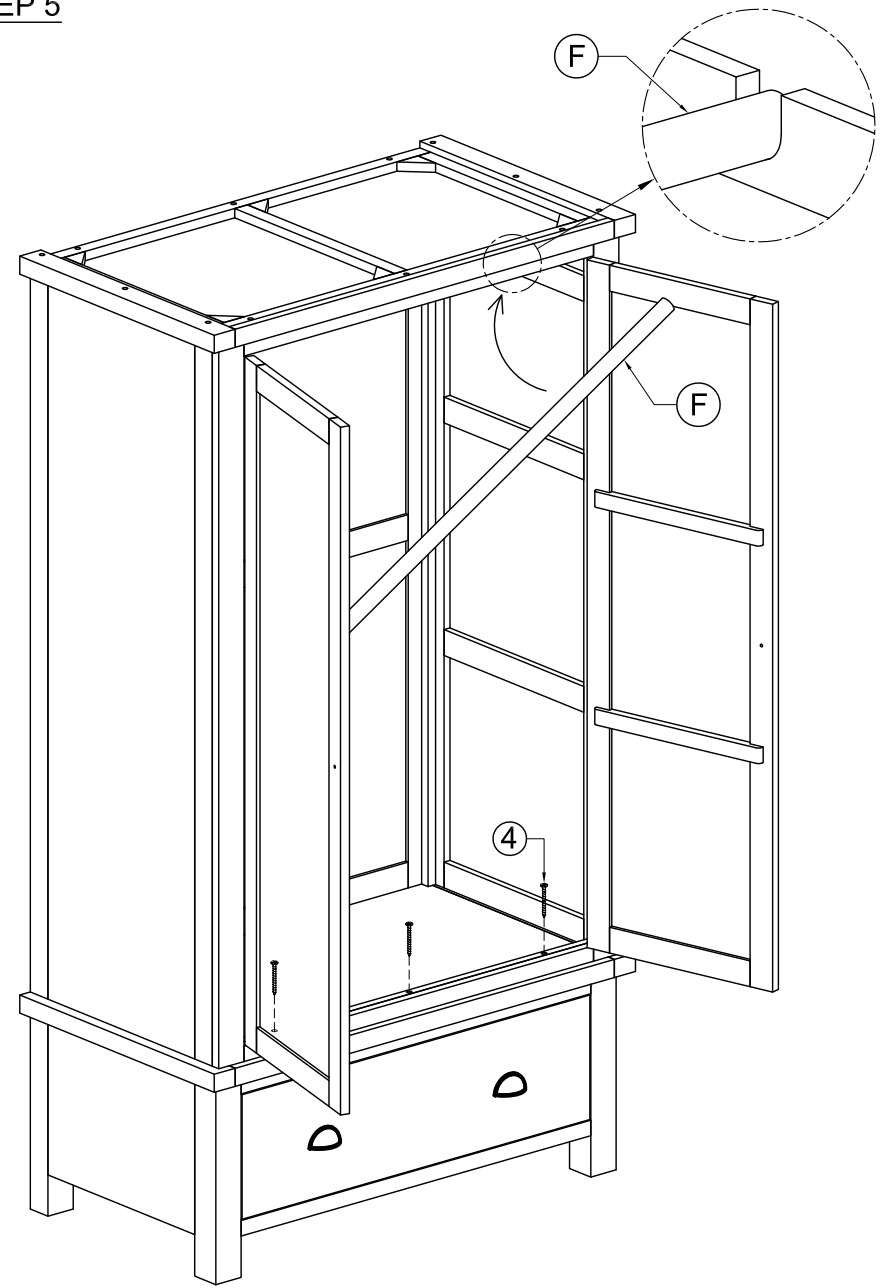
STEP 3



STEP 4



STEP 5



STEP 6

FINAL

