



Lutyens Style Garden Bench

To keep your furniture at its best, we recommend the following care:

Please ensure that you check all the contents of your delivery packaging against the contents list on the enclosed Instruction Manual before assembling the item.

Keep all the packaging including internal fittings until you have successfully put together and installed your purchase.

We will only accept a return of this product if it is repacked in the original packaging.

Use a clean damp sponge to clean the whole product and dry it with a clean cloth.

Wipe with the direction of the grain.

Dust once a week using a soft cloth.

Wipe up spills immediately.

The product should be put on a flat surface.

Periodically re-fasten all screws.

Caution:

Avoid placing hot or wet items directly on the surface as they can leave marks which are difficult to remove.

Do not apply any abrasive chemicals that may spoil the product.

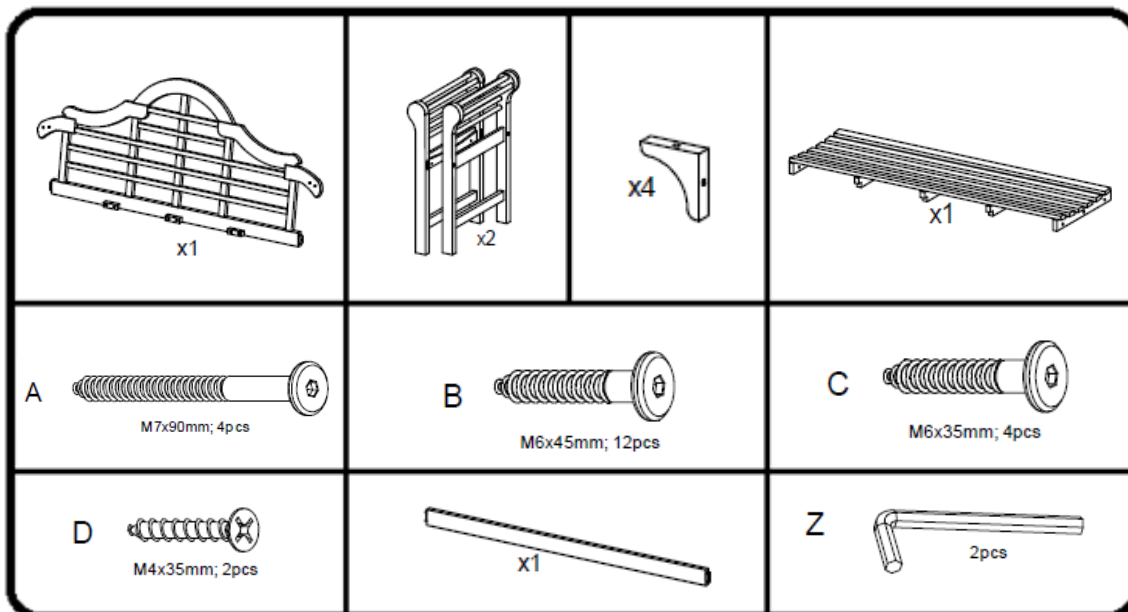
Do not use a pressure washer or you will damage the texture of the wood.

Please note:

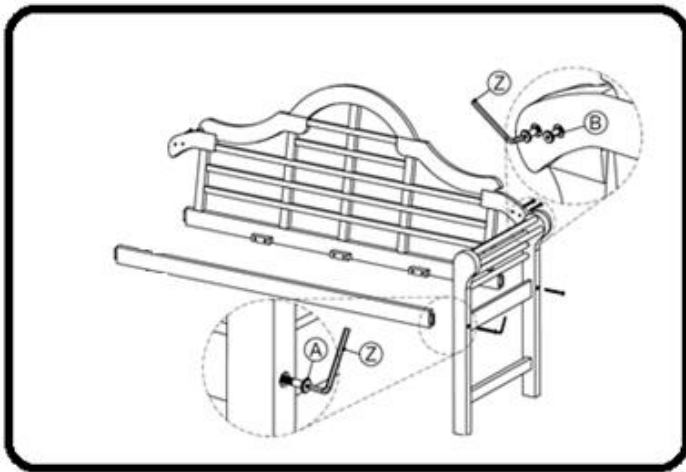
Wood is a natural product. This means it is subject to variations in colour and grain. Fine cracks may appear after periods of hot, dry weather. These do not impair the product's quality and function.

In order to maintain the finish of your bench, it is suggested that a new coat of oil is applied each year.

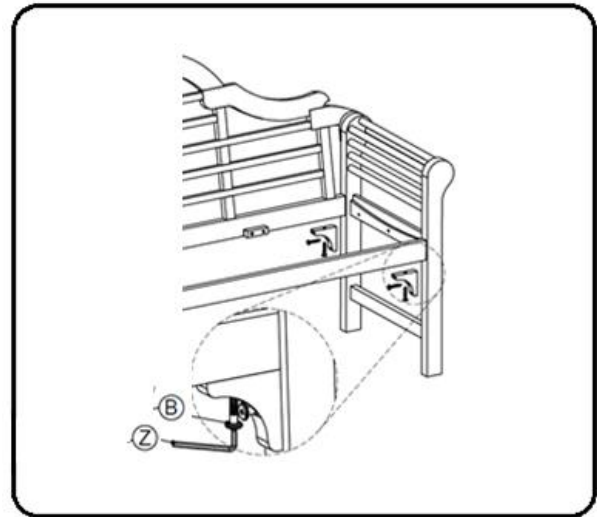
Parts List:



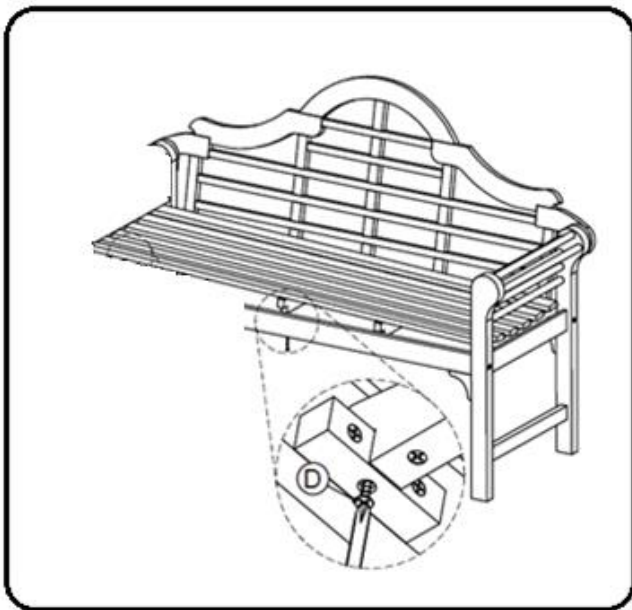
When placing the screws into the pre-drilled holes, **DO NOT TIGHTEN COMPLETELY** until all the components and screws are in their allotted places.



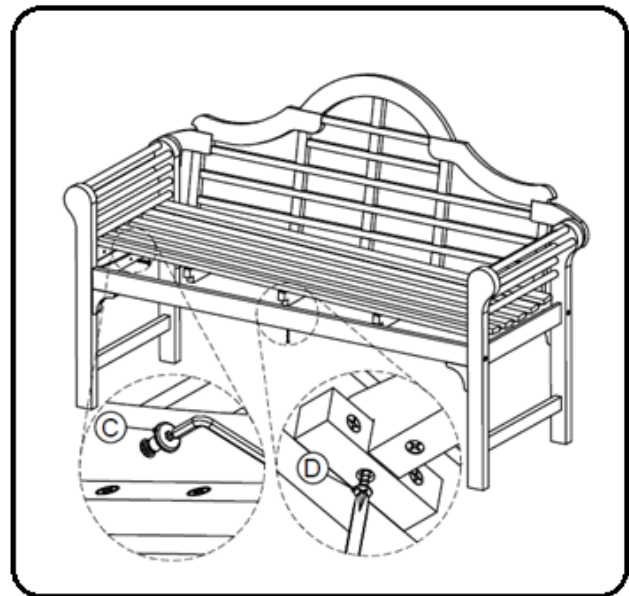
Attach an Arm to the back rest as shown,
Add the front bar.



Using part B fix the corner supports to
both the front Bar and back rest



Place the seat on the front bar
Loosely secure the seat in place



Secure the second arm to the bench.
Secure the seat into the arms using Parts C and D.

Tighten all fixings.

Should you require further details or assistance,
please contact our customer care line on 01562 753040