

PRODUCT DESCRIPTION

Toulouse Triple Wardrobe
H192 x W143 x D60cm

DEAR CUSTOMER



Thank you for purchasing your new piece of furniture from Dunelm.

We put a lot of effort in the design and construction of our products to ensure they set the standard for quality, durability and ease of assembly.

If for any reason you feel we haven't lived up to the high standards we set ourselves, please don't hesitate in contacting us on 03451 656565 where our team will be very keen to understand what has gone wrong and, more importantly, put it right.

The Next Step...

There is no need to feel daunted by the number of parts and fittings in front of you, we have compiled this straight forward, step-by-step guide to make sure that assembling your furniture is as easy as 1, 2, 3.

Before you begin, we advise that you check that you have everything you need to get started.

TOP TIP

Find a space to spread everything out across the floor before you begin assembling the item. Lay each panel down on a clean and level area, ideally in the room of intended use, ensuring there is enough room to manoeuvre around the item. It is recommended that two people assemble this product together.

The full list of furniture parts, fixtures and fittings, as well as the tools you will need for assembly can be found on page 2 and 3 of this manual.

TOP TIP

Identify all of the fittings, make sure that you have them all prepared and familiarise yourself with each component, to make things easier when you are putting it all together.

Safety and Care Advice

IMPORTANT - The first step you need to take is to ensure your safety!

Please take the time to read and understand these instructions before assembling your furniture.

Please keep these instructions for future reference.

Keep children and animals away from the assembly area.

This furniture contains small parts that could cause choking if swallowed.

Keep all plastic wrapping materials away from babies and children to avoid danger of suffocation.

Ensure that all packaging is disposed of carefully and responsibly.

From time to time check that there are no loose fittings on the unit, re-tighten when necessary.

Two people may be required for the assembly of this product.

Once items are part or fully assembled they are not returnable unless faulty.


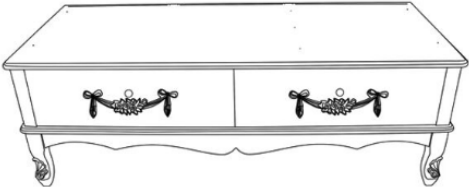

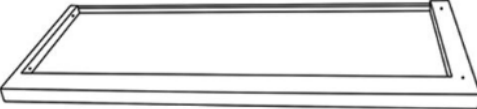
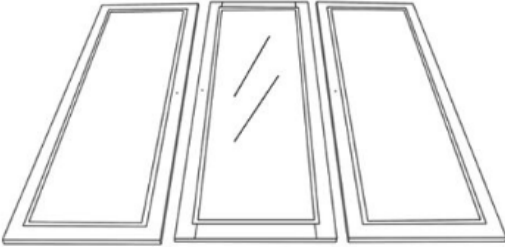


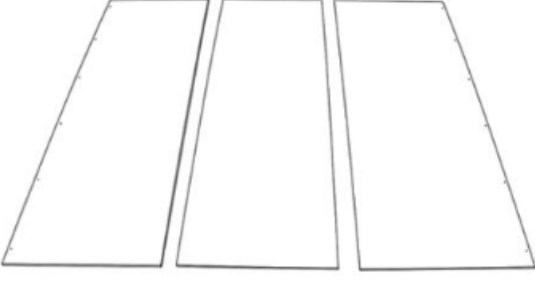




This item is not for outdoor use – unless stated otherwise.

Some items will be supplied with a wall fixing strap, which we recommend is used to secure the item to the wall, to prevent a child from accidentally pulling furniture over.

Furniture can be dangerous if incorrectly installed. Assembly should be carried out by a competent person. No liability will be accepted for damage or injury caused by incorrectly installed or assembled furniture.

Parts & Fittings for the Toulouse Triple Wardrobe

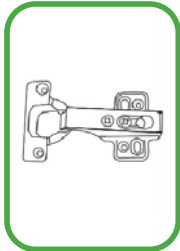
Component Panels

 <p>A Top</p>	 <p>B Base unit</p>
 <p>C Left side panel</p>	 <p>C¹ Right side panel</p>
 <p>D Left D¹ Middle D² Right</p> <p>D&D¹&D² Door x3</p>	 <p>E Back connecting panel 1</p>  <p>G Back connecting panel 2</p>
 <p>F Left F¹ Middle F² Right</p> <p>F&F¹&F² Back panel x3</p>	 <p>H Centre panel</p>  <p>I Short hanging rail</p>  <p>J Long hanging rail</p>  <p>K Stand</p>

Parts & Fittings for the Toulouse Triple Wardrobe

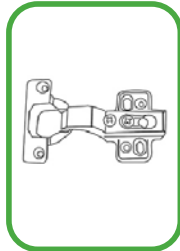
Fittings

M



Straight angle hinge x3

M¹



Big angle hinge x6

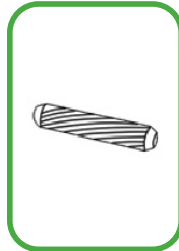
N



4x22mm

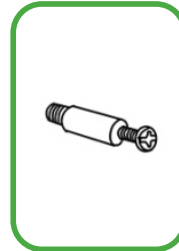
Bolt x3

O



Wooden dowel x2

P



Cam bolt x6

Q



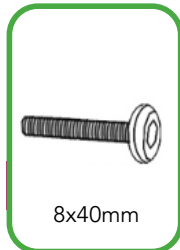
Cam lock x6

R



Leveller x2

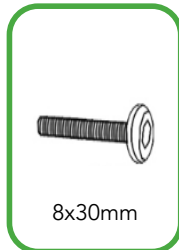
S



8x40mm

Bolt x8

S¹



8x30mm

Bolt x2

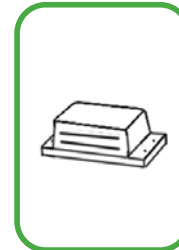
S²



8x20mm

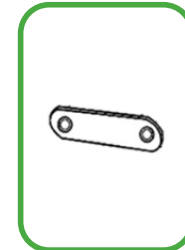
Bolt x2

T



Magnetic catch x6

T¹



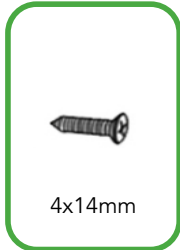
Metal plate x6

V



Handle x3

W



4x14mm

Screw x54

W¹



3x16mm

Screw x24

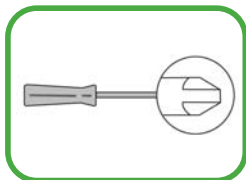
W²



3x12mm

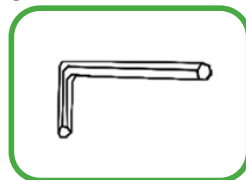
Screw x12

Tools Required



Cross head screwdriver
(Not provided)

U



Allen key (Provided)

Before you start

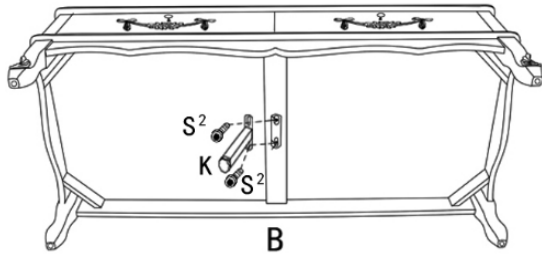
Check the pack and make sure you have all the parts listed above.
If not, contact the helpline on 03451 656565 who will be able to help you.

When you are ready and sure that you have the right tools to hand, you will need plenty of space and a clean dry area for assembly.

Ready?

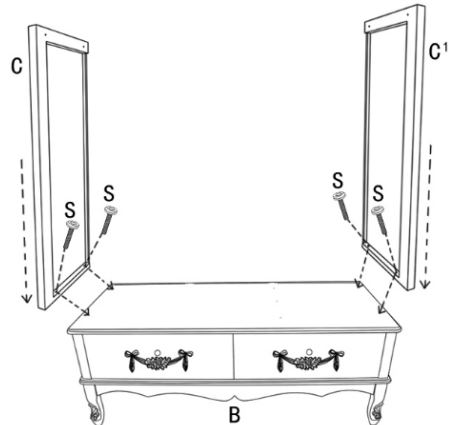
Follow this step-by-step guide

1



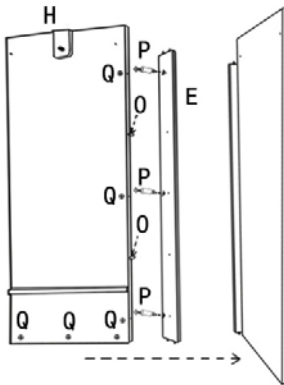
Gently lay the base unit (B) on its back, attach the stand (K) to the base unit (B) and secure using bolts (S²) x 2. Gently stand the unit upright.

2



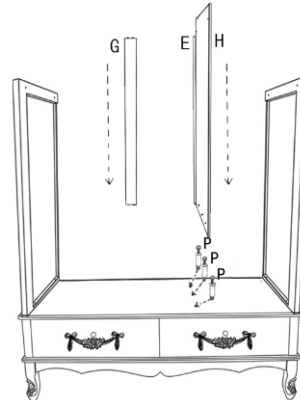
Attach the left hand side (C) and the right hand side (C¹) to the base unit (B). Secure using bolts (S) x 4.

3



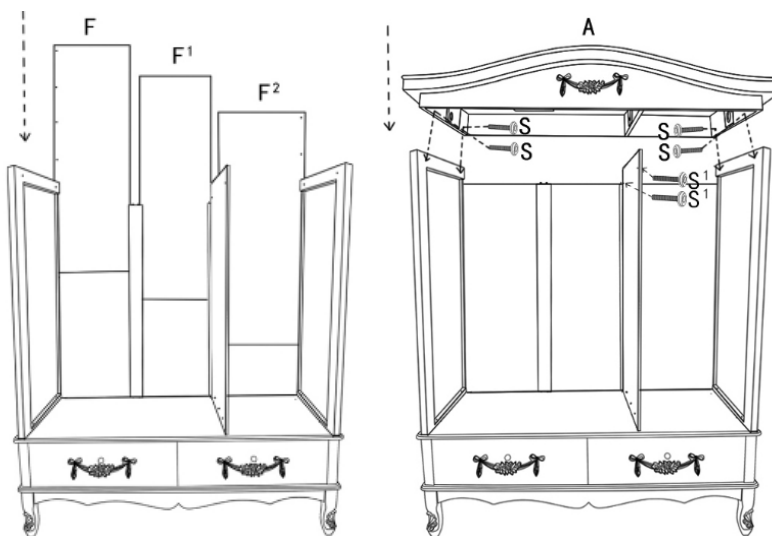
Attach 3x cam bolts (P) to panel (E). Insert 2x dowels (O) into centre panel (H). Insert 6x cam locks (Q) into centre panel (H). Attach connecting panel (E) to centre panel (H) and secure by turning cam lock (Q).

4



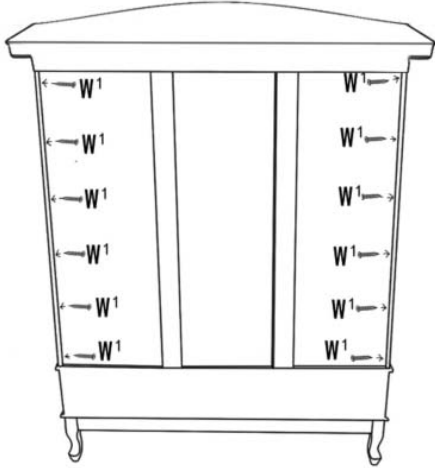
Attach 3 x cam bolts (P) to base unit (B). Attach centre panel (H) and secure by turning cam locks (Q). Attach the back connecting panel (G) to the base unit (B). Ensure that the dowels are inserted into the holes of the base unit.

5



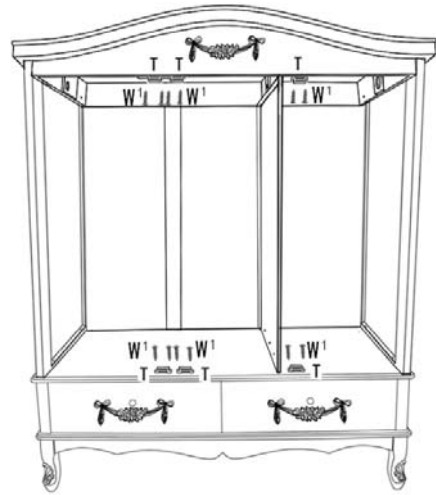
Insert back panels (F, F¹ and F²) into the unit, locating them into the grooves in the assembled panels and base unit. Place the top (A) onto the assembled unit. Secure using bolts (S) x4 and (S¹)x2.

6



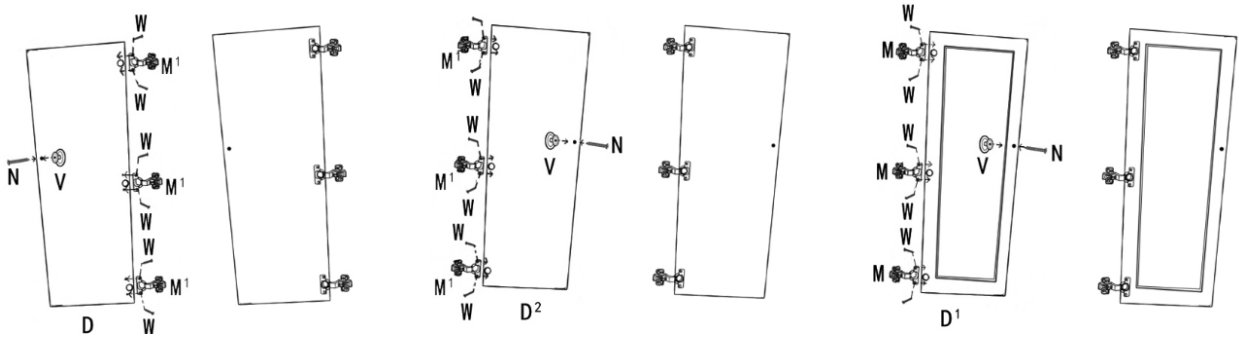
Back panels (F and F²) are screwed inside internal slats of two side panels using screws (W¹) x12.

7



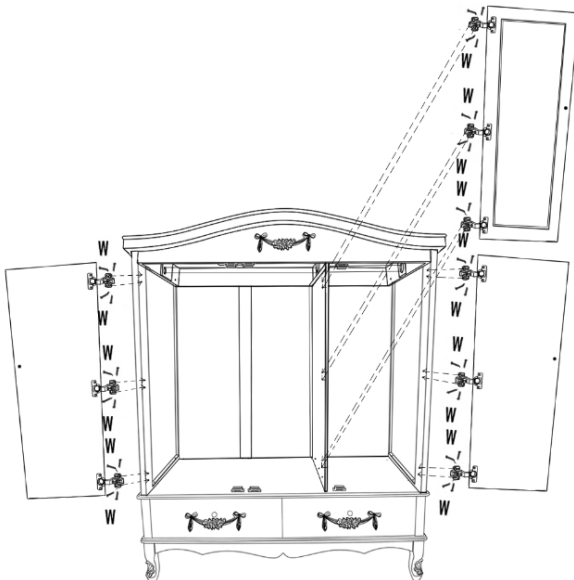
Attach magnetic catches (T) x 6 to the top and bottom of the unit, using screws (W¹) x 12.

8



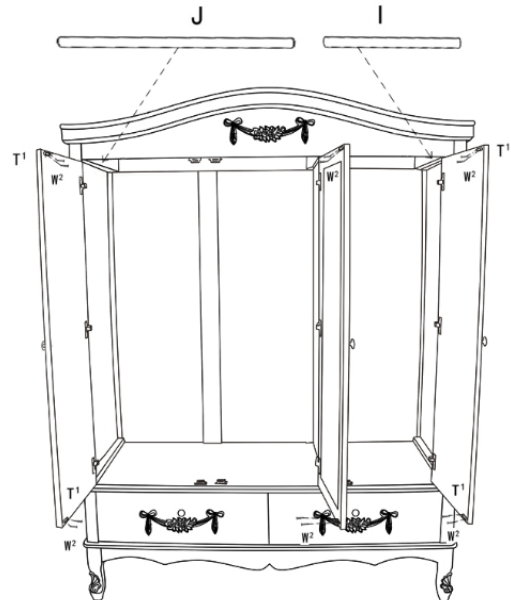
Attach big angle hinge (M¹) x6 to the left and right door (D and D²) using screws (W) x12.
 Attach straight angle hinge (M) x3 to the middle door (D¹) using screws (W) x6.
 Attach handles (V) x3 to the doors using bolt (N) x3.

9



Attach left door (D), middle door (D¹) and right door (D²) to the unit using screws (W) x 36.
 Level the doors by turning the adjusting screw of hinges.

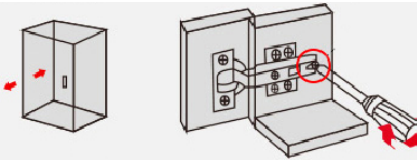
10



Insert hanging rails (J and I) into the unit.
 Attach metal plates (T¹) x 6 onto the corners of the doors using screws (W²) x 12.
 Ensure that the metal plates line up with the magnetic catches when the doors are closed.
 Carefully lift the unit into place. We recommend a minimum of two people to do this.

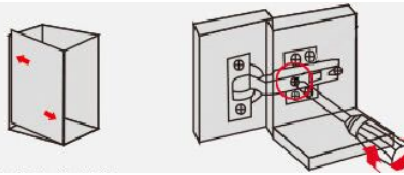
Door adjustment

Forward or backward



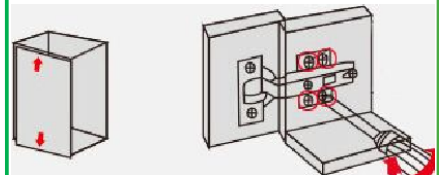
Loosen the screw shown in the red circle first, push the door forward or backward to the right place, and then tighten the screw.

Left or right



Turn the screw shown in the red circle counterclockwise or clockwise to make the door to the left or right.

Up or down



Loosen the screws shown in the red circles first, push the door up or down to the right place, and then tighten the screws.



Please use the levellers (R) provided if the floor surface is uneven.

Care and maintenance

Glass Care

Do not use glass as a chopping board.

Do not use very hot or very cold items on the glass unless adequate table mats are used to prevent such items coming into direct contact with the furniture.

Do not strike the glass with hard or pointed items.

Do not use abrasive cleaners on the glass as these may scratch and damage the glass.

To clean your item, please use a soft cloth slightly dampened with water and wipe clean. Then buff with a dry clean cloth. Use washing up liquid if necessary.

If the glass is chipped or broken, stop using the product and consult Dunelm.

Wood

Only clean using a damp cloth and mild detergent, do not use bleach or abrasive cleaners.

From time to time check that there are no loose screws on this unit.

Wood is a natural product and each piece is individual. The colour will mellow over time and new items can vary in shade from items that you have already purchased. We also recommend that any ornaments, coasters and items placed on the product are periodically moved around to allow the colour to mellow evenly.

As a natural product, wood is affected by temperature and humidity. We recommend that you avoid placing the furniture directly in front of heat sources such as radiators or fires as this can cause cracking or warping over time. Always use mats and coasters to protect the surface when placing items on the furniture. This will help to protect the finish from heat, liquids or items that might scratch your furniture.

Remove any spills immediately to avoid staining. Dust regularly with a soft lint free cloth or duster.

The use of abrasive polish or silicon based polishes is not advised as these can affect the polished finish and joints over time. Always lift your furniture into place, avoid dragging it across the floor as this can cause damage to joints.

Finally, we hope you enjoy your furniture for many years to come and thanks again for your purchase.

dunelm.com

